



US00D398114S

United States Patent [19]
Jordan

[11] **Patent Number:** **Des. 398,114**
[45] **Date of Patent:** ****Sep. 8, 1998**

[54] **DUST CATCHER** 4,686,734 8/1987 Kahan 15/257.1

[76] Inventor: **Ralph T. Jordan**, 5117 14th Ave.
South, Gulfport, Fla. 33707

Primary Examiner—Antoine Duval Davis
Attorney, Agent, or Firm—Joseph C. Mason, Jr.

[**] Term: **14 Years**

[57] **CLAIM**

[21] Appl. No.: **69,466**

I claim the ornamental design for a dust catcher, as shown.

[22] Filed: **Apr. 2, 1997**

DESCRIPTION

[51] **LOC (6) Cl.** **07-05**

[52] **U.S. Cl.** **D32/74**

[58] **Field of Search** D15/126, 135;
D32/50-53, 74; 15/344, 347, 354, 414,
415.1, 257.1, 257.2, 257.8; 200/293.1, 533

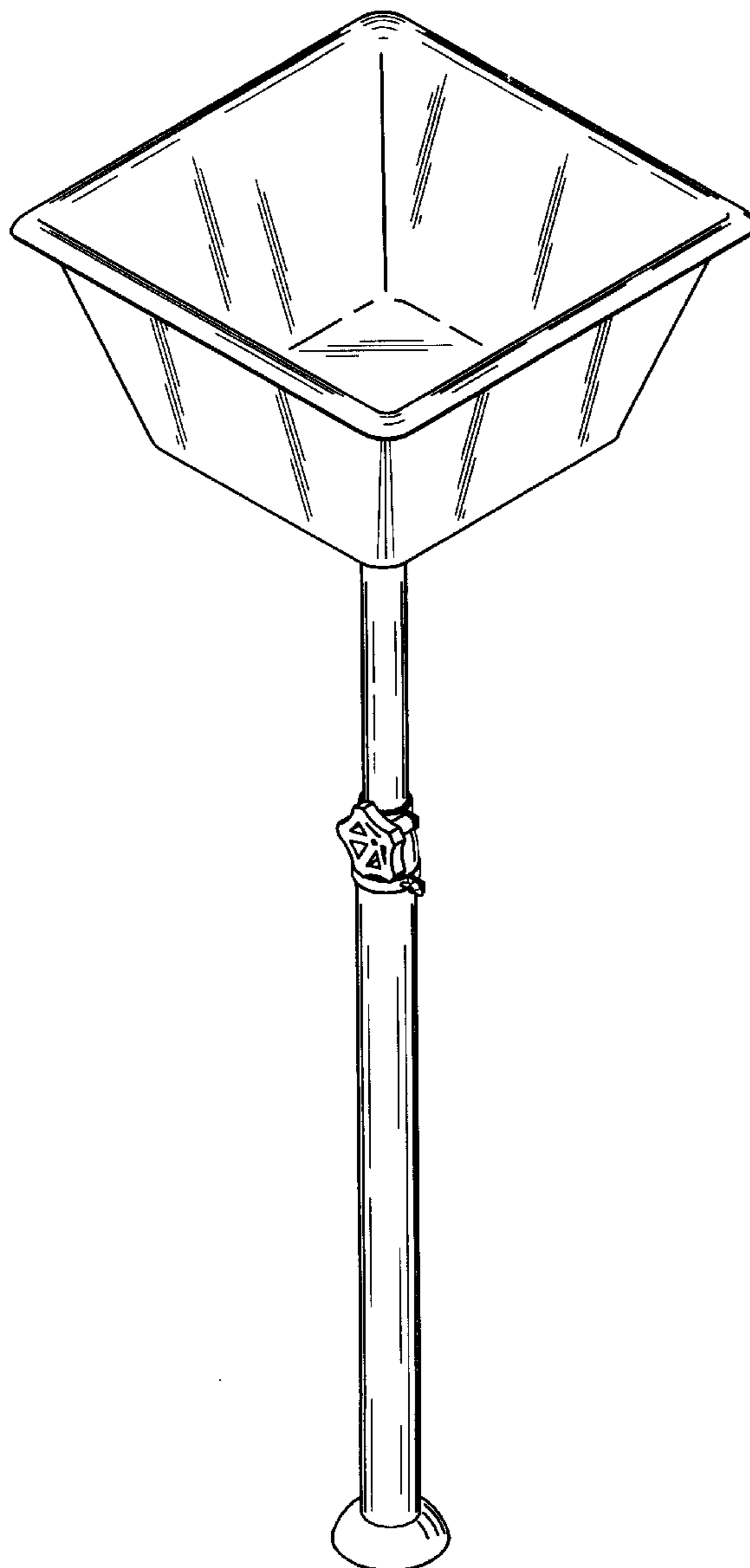
FIG. 1 is a perspective view of my design;
FIG. 2 is a right side elevational view thereof;
FIG. 3 is a left side elevational view thereof;
FIG. 4 is a front elevational view thereof;
FIG. 5 is a rear elevational view thereof;
FIG. 6 is a top plan view thereof;
FIG. 7 is a bottom plan view thereof; and,
FIG. 8 is an alternative embodiment.

[56] **References Cited**

U.S. PATENT DOCUMENTS

492,455 2/1893 Barnhart 15/257.1

1 Claim, 4 Drawing Sheets



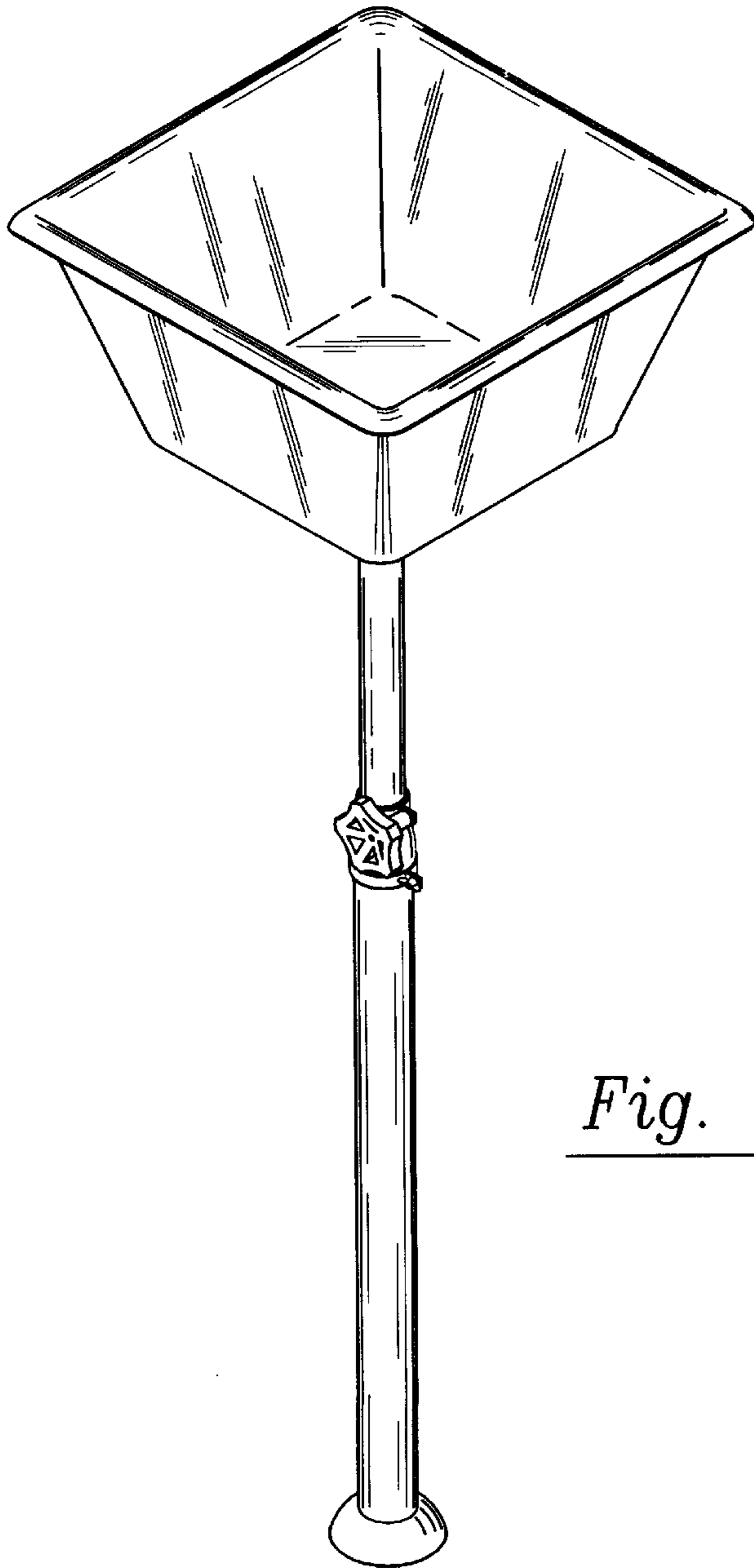


Fig. 1

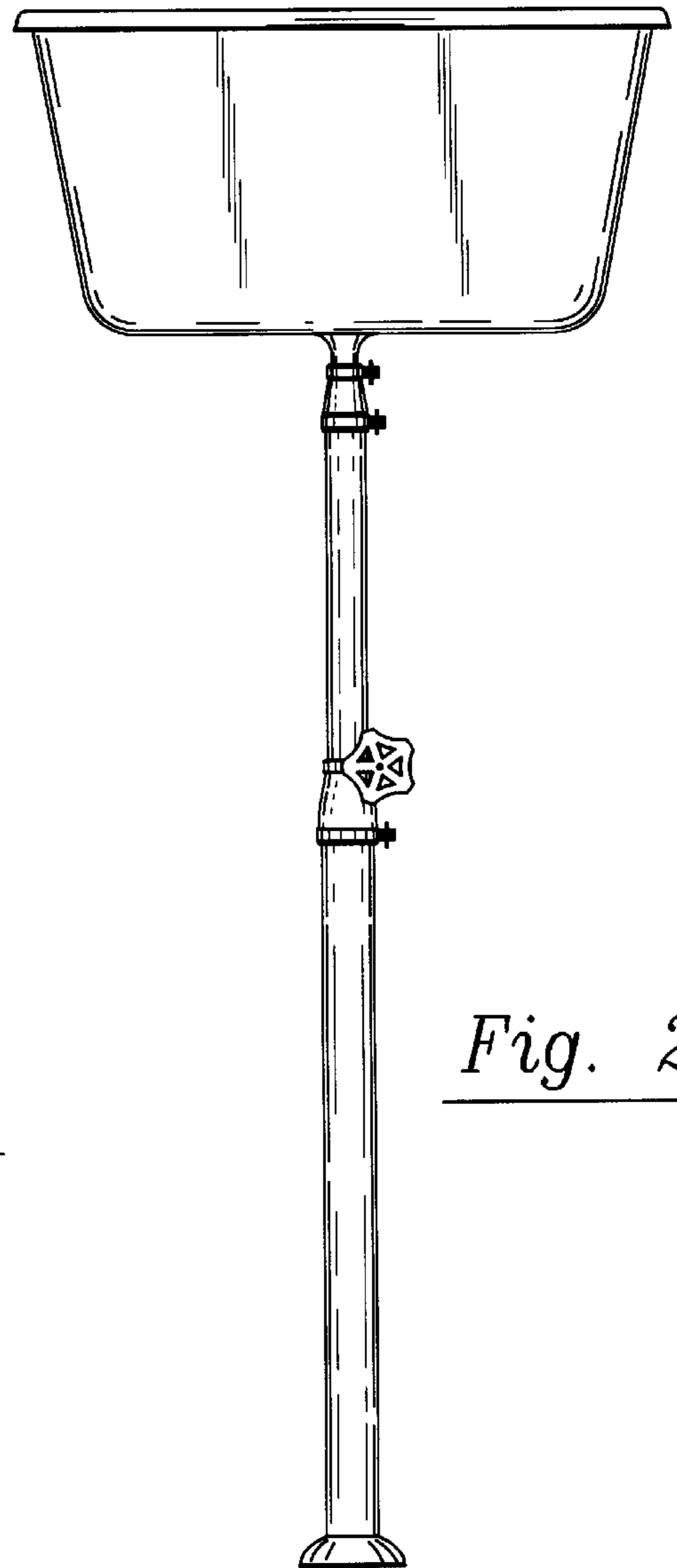


Fig. 2

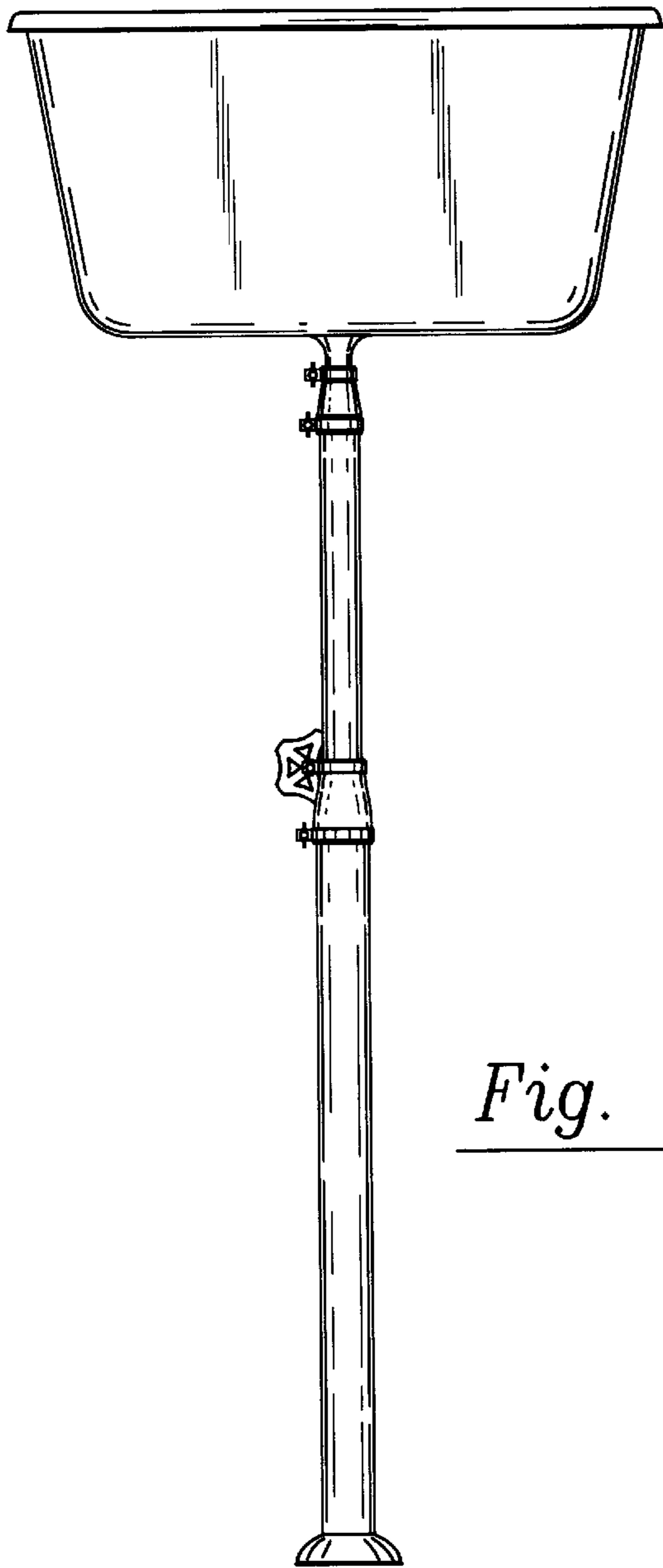


Fig. 3

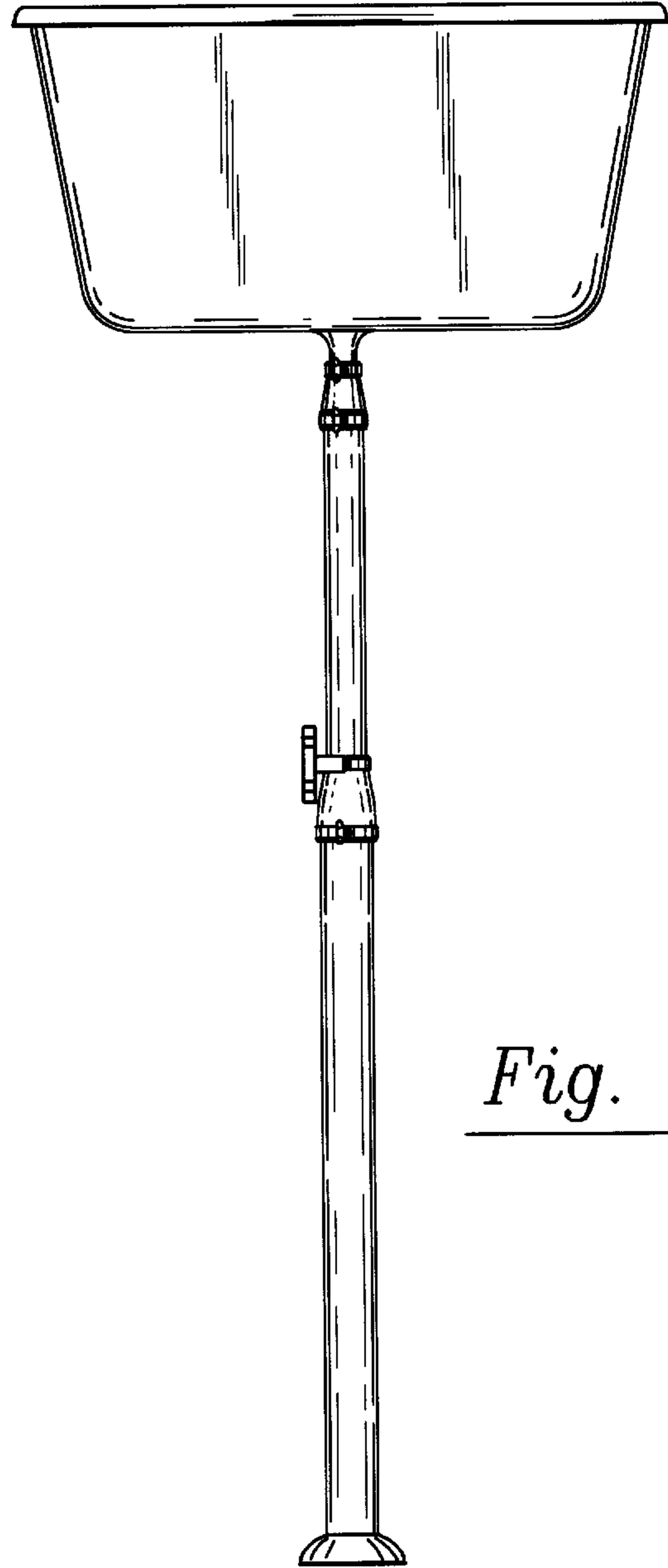


Fig. 4

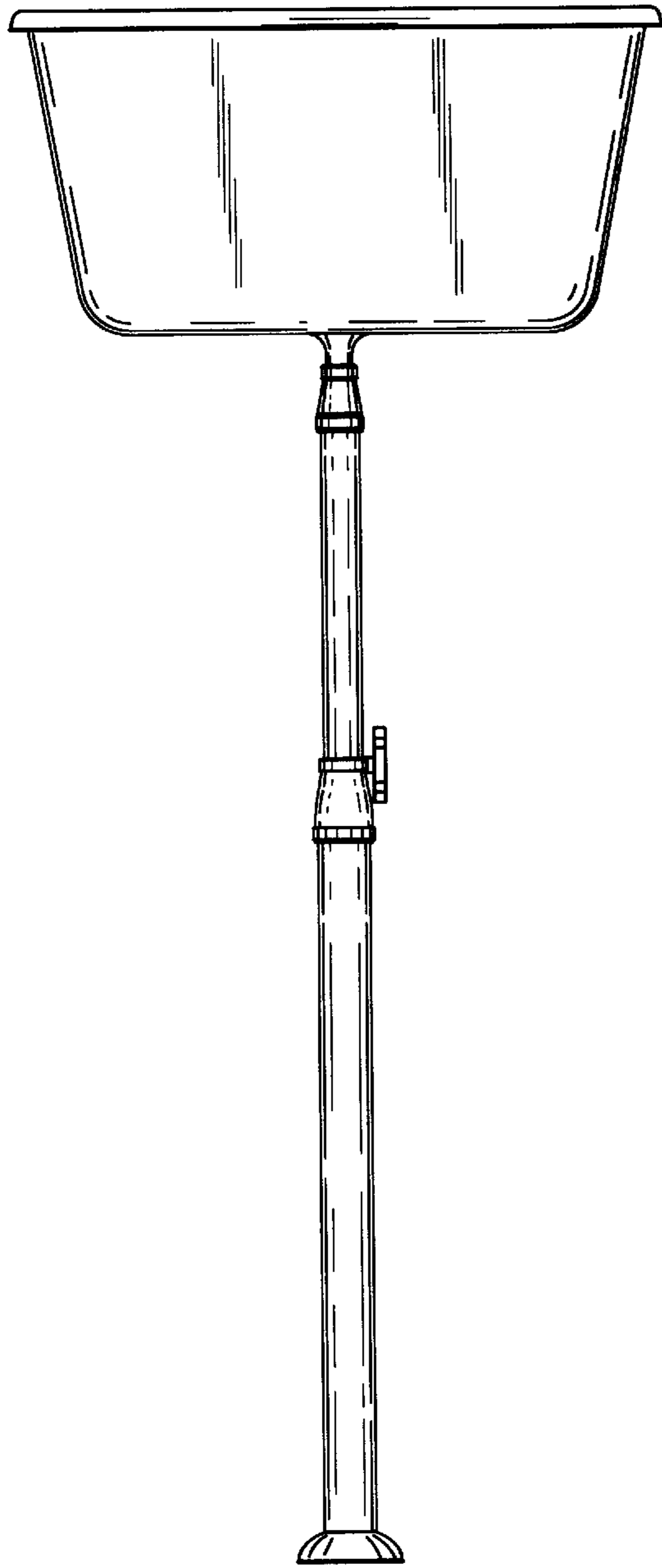


Fig. 5

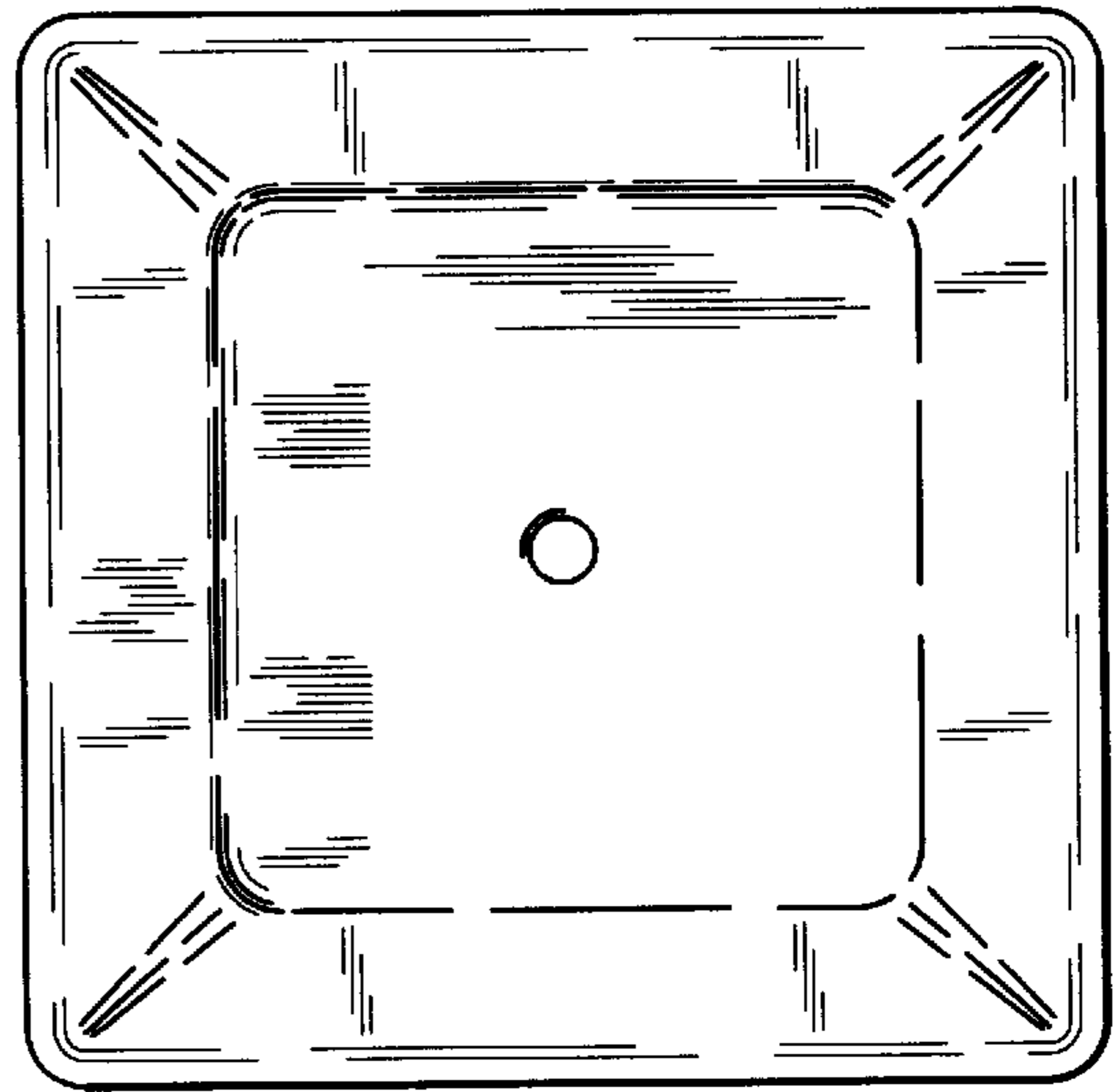


Fig. 6

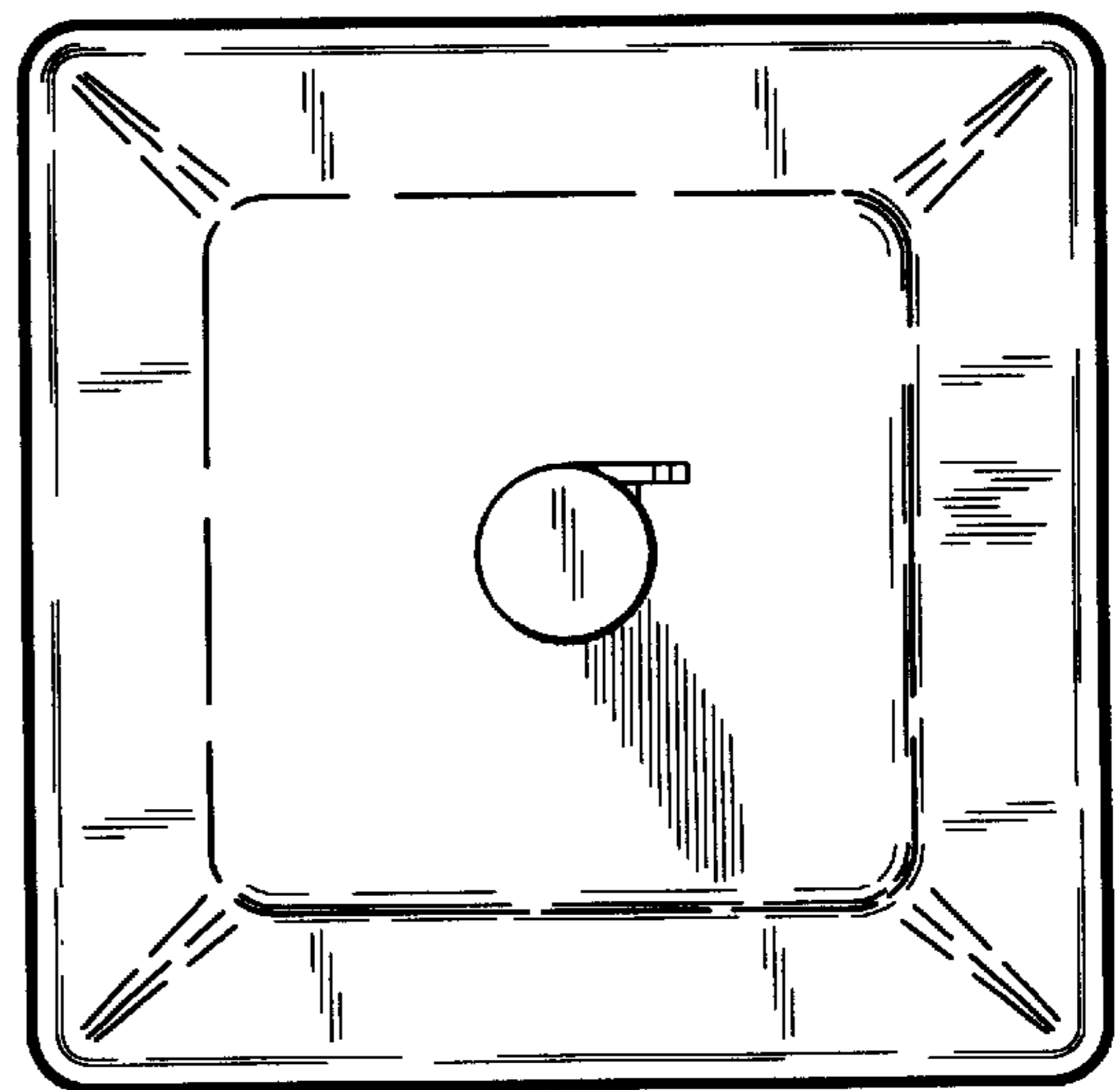


Fig. 7

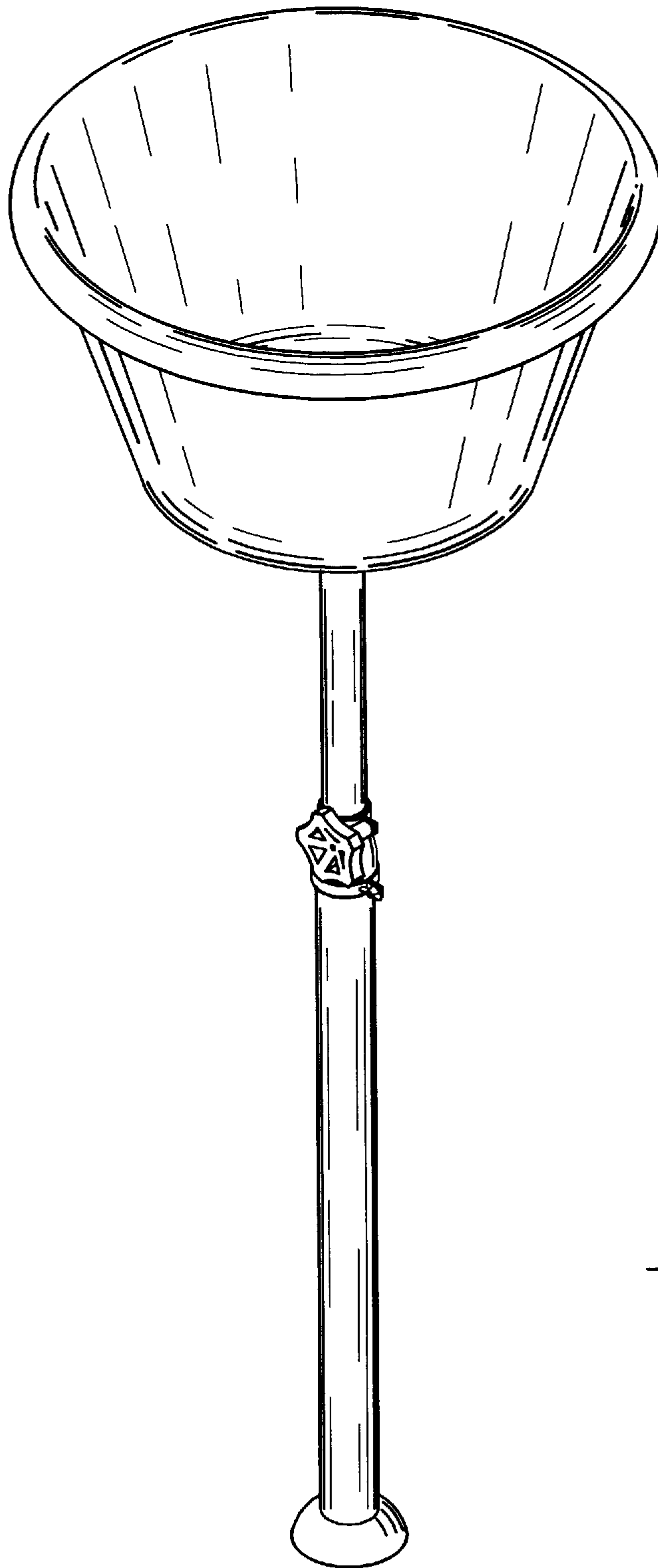


Fig. 8