



US00D398111S

United States Patent [19]

Avrans

[11] **Patent Number:** **Des. 398,111**

[45] **Date of Patent:** ****Sep. 8, 1998**

[54] **SCRAPER TO REMOVE FOOD FROM A PLATE**

4,803,752 2/1989 Kasama 15/245 X
5,418,998 5/1995 Smarra 15/236.02 X
5,435,064 7/1995 Brookfield 30/169

[76] Inventor: **Robert S. Avrans**, 133 Chaucer Ct., Willowbrook, Ill. 60521

Primary Examiner—Susan J. Lucas
Assistant Examiner—Cynthia E. Ramirez
Attorney, Agent, or Firm—Eugene F. Friedman

[**] Term: **14 Years**

[57] **CLAIM**

[21] Appl. No.: **76,830**

The ornamental design for a scraper to remove food from a plate, as shown and described.

[22] Filed: **Sep. 23, 1997**

DESCRIPTION

[51] **LOC (6) Cl.** **08-05**

[52] **U.S. Cl.** **D32/46; D32/48; 15/236.01**

[58] **Field of Search** D32/40, 46, 48, D32/52; 15/236.01, 237, 236.06, 236.07, 218.1, 236.02; 30/164.9, 169, 171

FIG. 1 is a top, right side, front isometric view of scraper to remove food from a plate design;
FIG. 2 is a top plan view thereof;
FIG. 3 is a front elevational view thereof;
FIG. 4 is a side end view;
FIG. 5 is a rear elevational view thereof; and,
FIG. 6 is a bottom plan view thereof.

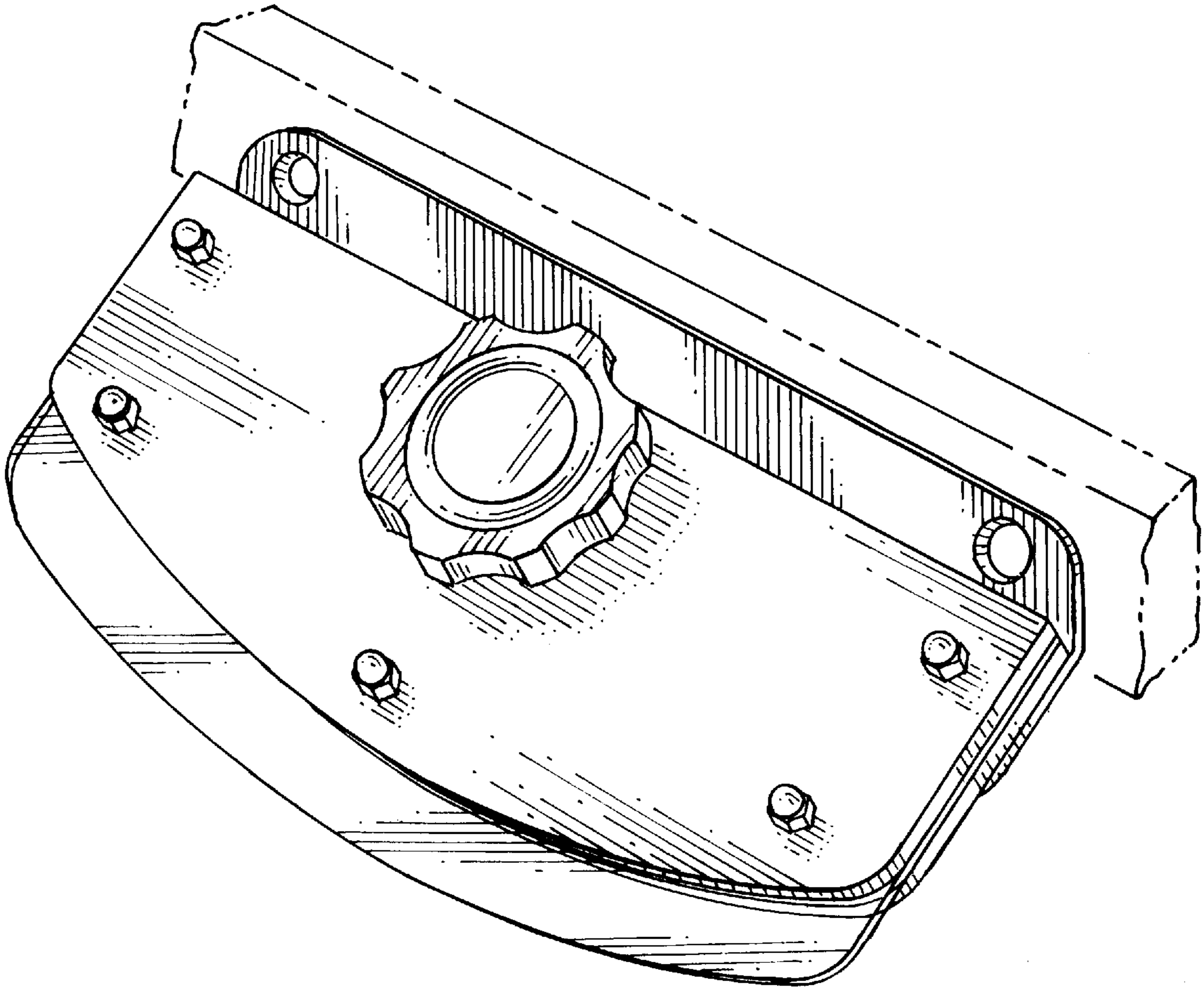
[56] **References Cited**

U.S. PATENT DOCUMENTS

2,176,917 10/1939 Mayers 15/237
3,120,055 2/1964 Baber .
4,202,093 5/1980 Wallerstein 15/236.02 X
4,325,158 4/1982 Divish et al. 15/236.01

The broken line showing in FIG. 1 is for illustrative purposes only and forms no part of the claimed design.

1 Claim, 2 Drawing Sheets



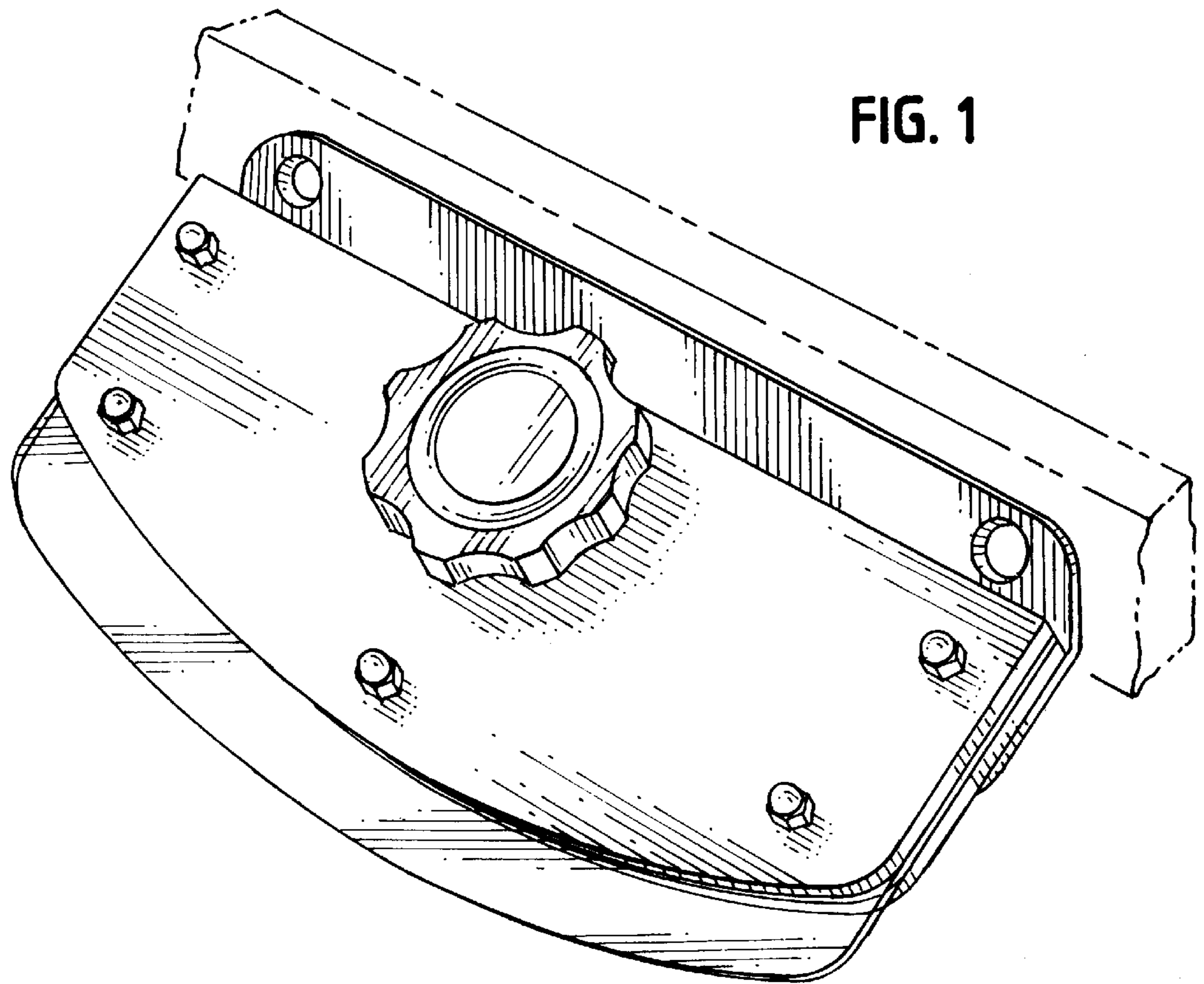


FIG. 1

FIG. 2

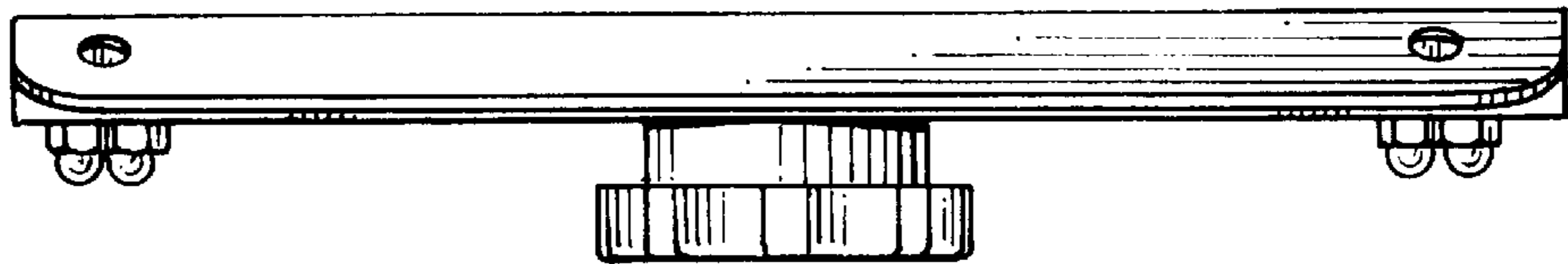


FIG. 4

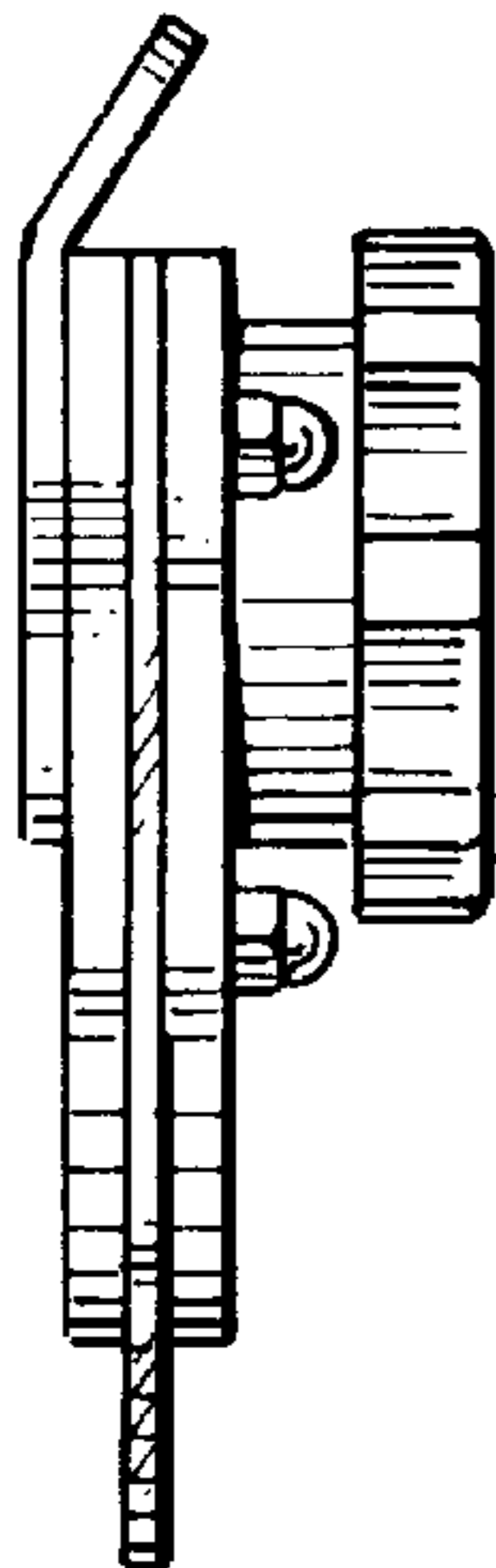


FIG. 3

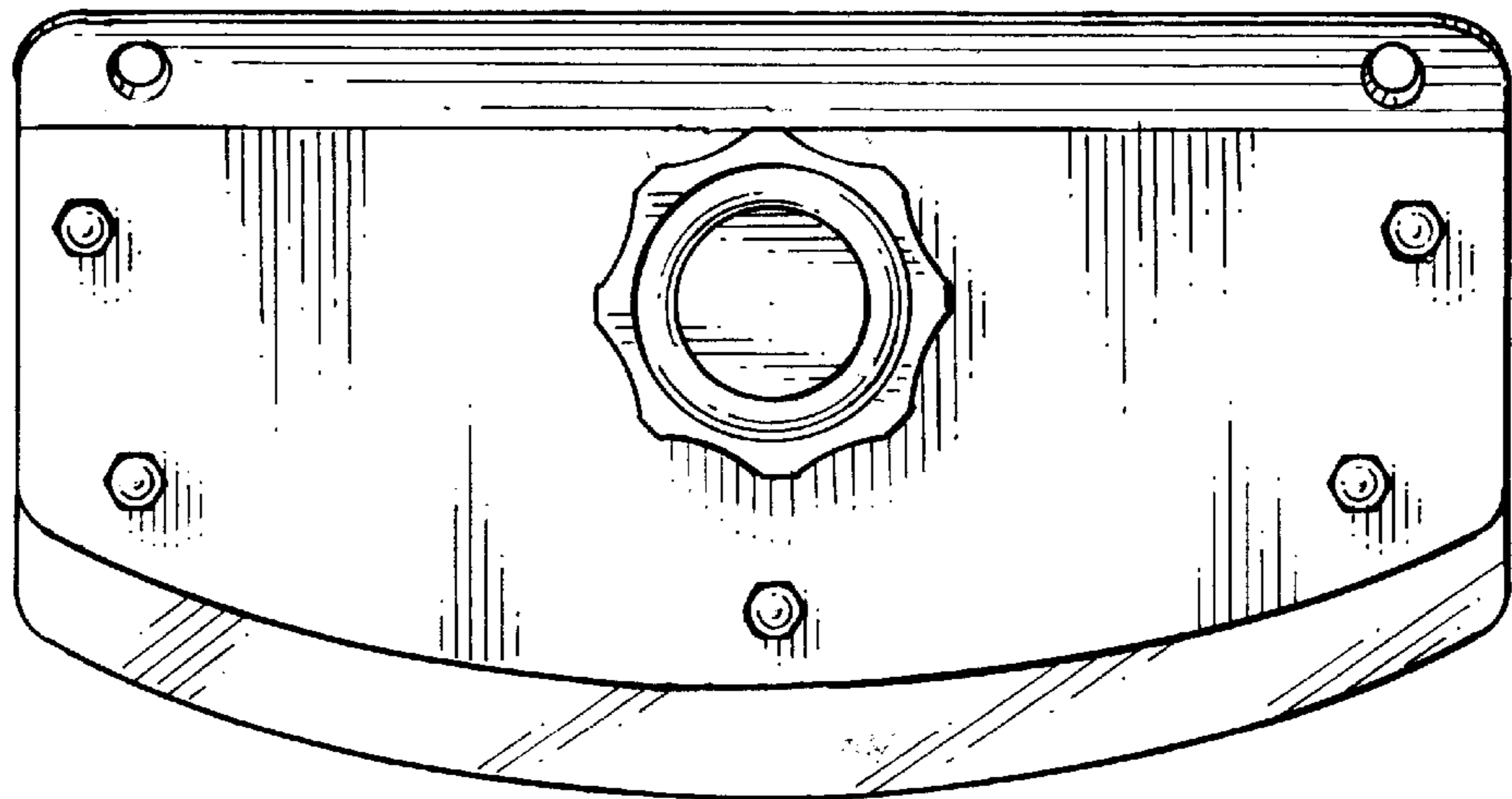


FIG. 5

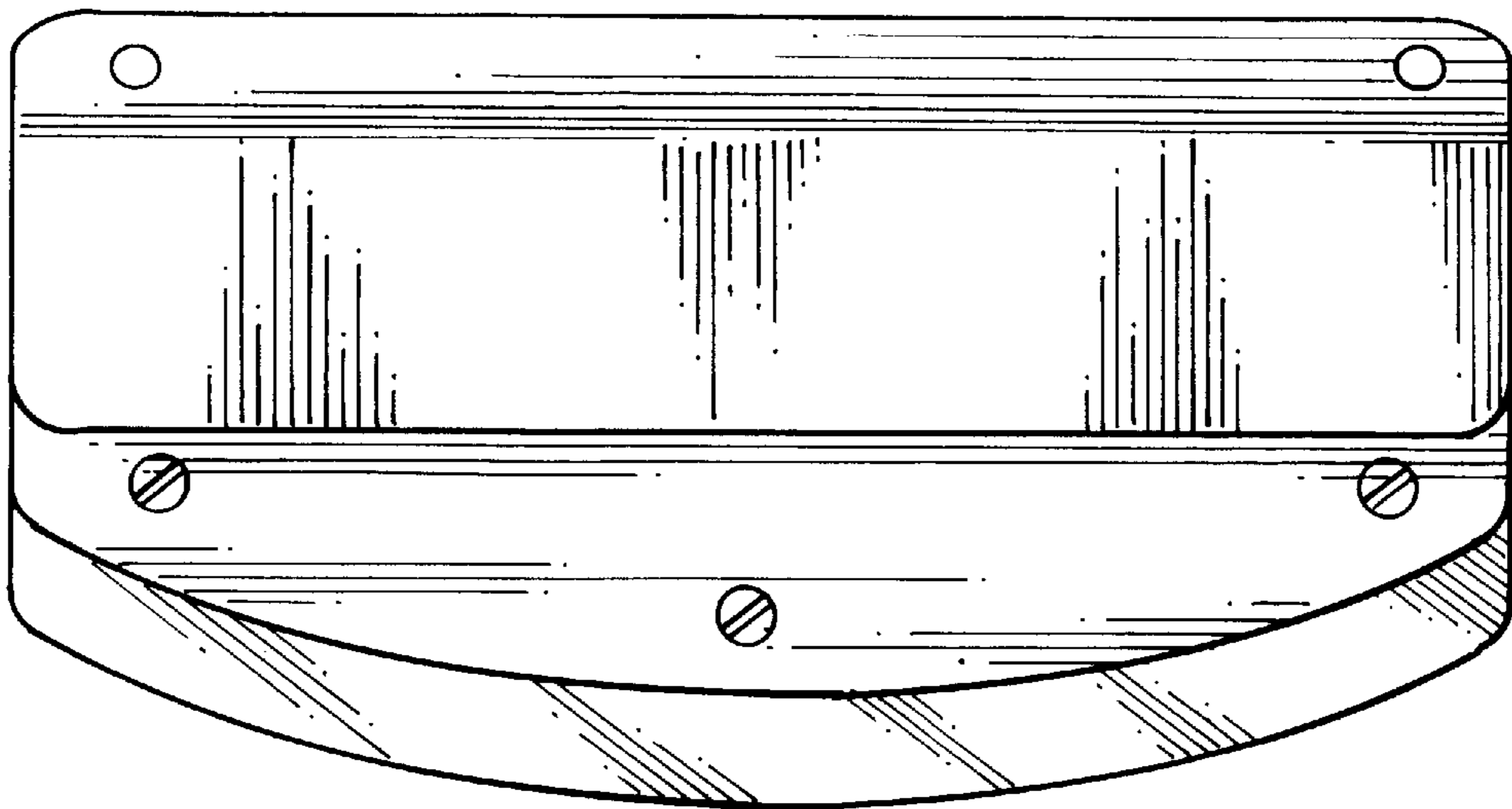


FIG. 6

