

US00D398106S

# United States Patent [19]

Diehl et al.

[11] **Patent Number: Des. 398,106**

[45] **Date of Patent: \*\*Sep. 8, 1998**

[54] **AWNING CLEANING TOOL**

[76] Inventors: **Paul F. Diehl**, 832 S. Boulevard St., Tampa, Fla. 33606; **Frederick E. Diehl**, 470 NE. 121st St., Biscayne Park, Fla. 33161; **Heidi A. Diehl**, 509 NE. 121st St., North Miami, Fla. 33161; **Paul Diehl, Sr.**, 3109 Santiago St., Tampa, Fla. 33629

[\*\*] Term: **14 Years**

[21] Appl. No.: **79,087**

[22] Filed: **Nov. 7, 1997**

[51] **LOC (6) Cl. .... 12-05**

[52] **U.S. Cl. .... D32/35; D4/122**

[58] **Field of Search .... D32/52, 45, 35; 15/119.2; D4/122; D25/57; 401/137, 138, 139, 140**

[56] **References Cited**

**U.S. PATENT DOCUMENTS**

- 117,997 8/1871 Earnest .
- D. 288,973 3/1987 Hamazaki ..... D4/122 X
- D. 293,742 1/1988 Call ..... D4/122 X

- 622,809 4/1899 Keyser ..... 401/137
- 732,205 6/1903 Mable ..... 401/137
- 3,253,290 5/1966 Powers ..... 401/137
- 3,748,678 7/1973 Ballou .
- 4,059,358 11/1977 Arai ..... 401/137 X

*Primary Examiner*—Susan J. Lucas  
*Assistant Examiner*—Cynthia E. Ramirez  
*Attorney, Agent, or Firm*—Arthur W. Fisher, III

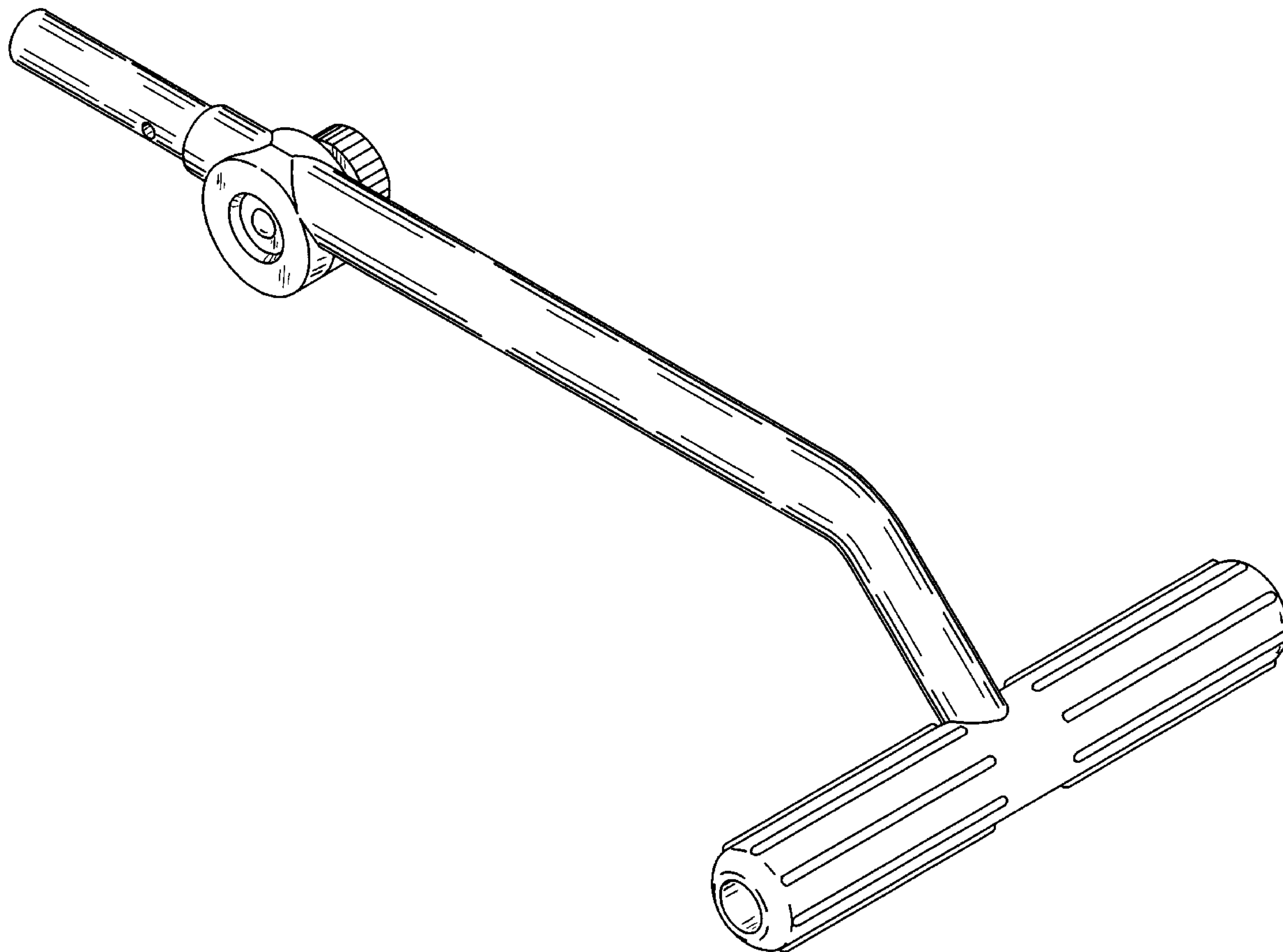
[57] **CLAIM**

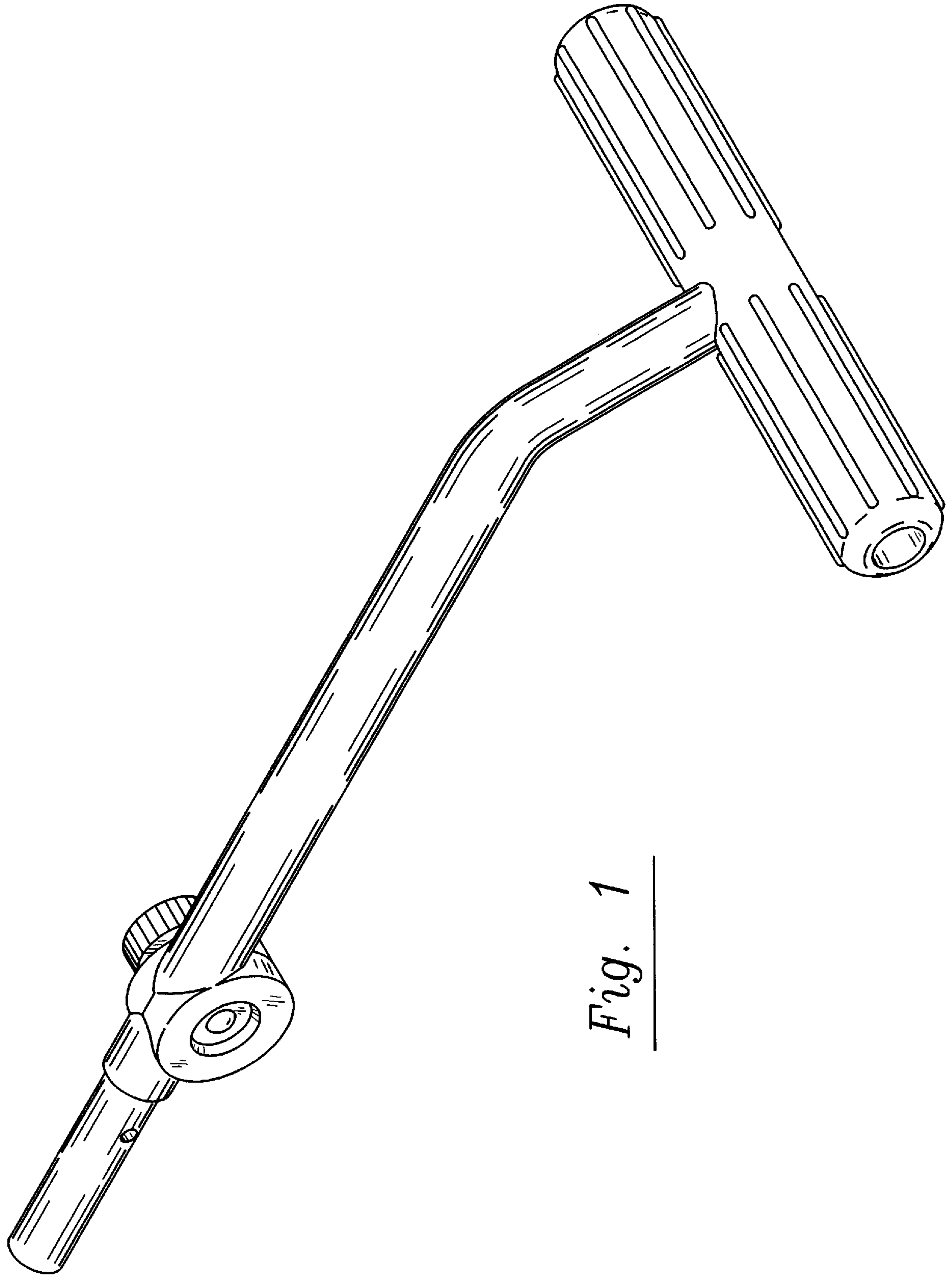
The ornamental design for an awning cleaning tool, as shown and described.

**DESCRIPTION**

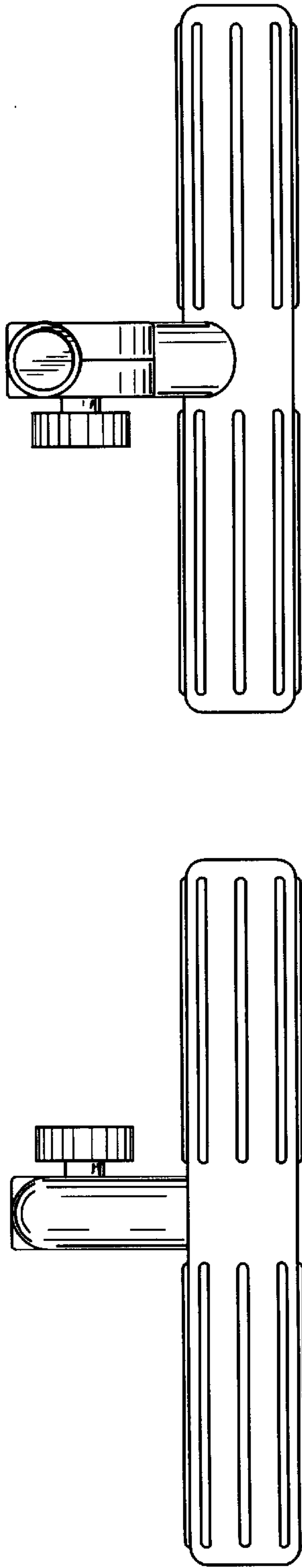
FIG. 1 is a perspective view of the awning cleaning tool; FIG. 2 is a top plan view of the awning cleaning tool thereof; FIG. 3 is a bottom plan view of the awning cleaning tool thereof; FIG. 4 is a right elevational view of the awning cleaning tool thereof; FIG. 5 is a left elevational view of the awning cleaning tool thereof; FIG. 6 is a front view of the awning cleaning tool thereof; and, FIG. 7 is a rear view of the awning cleaning tool thereof.

**1 Claim, 3 Drawing Sheets**



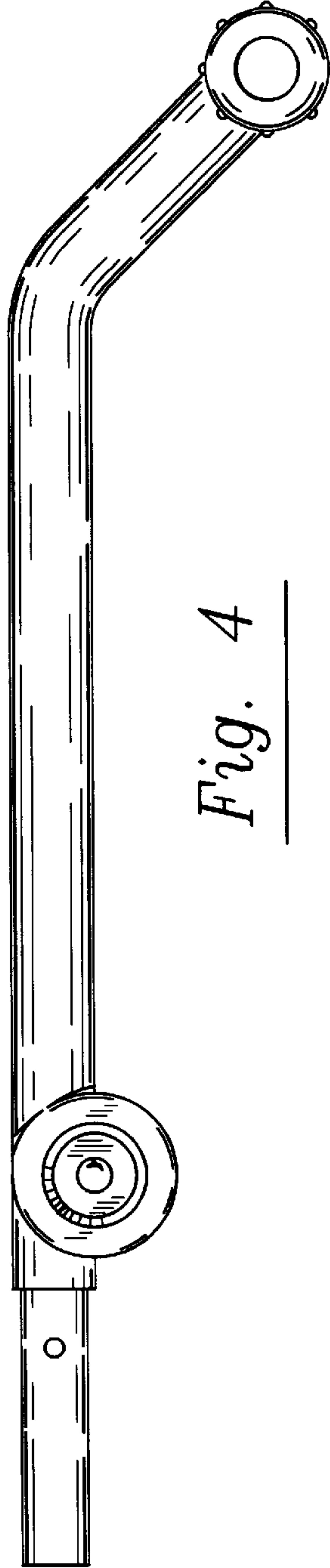


*Fig. 1*

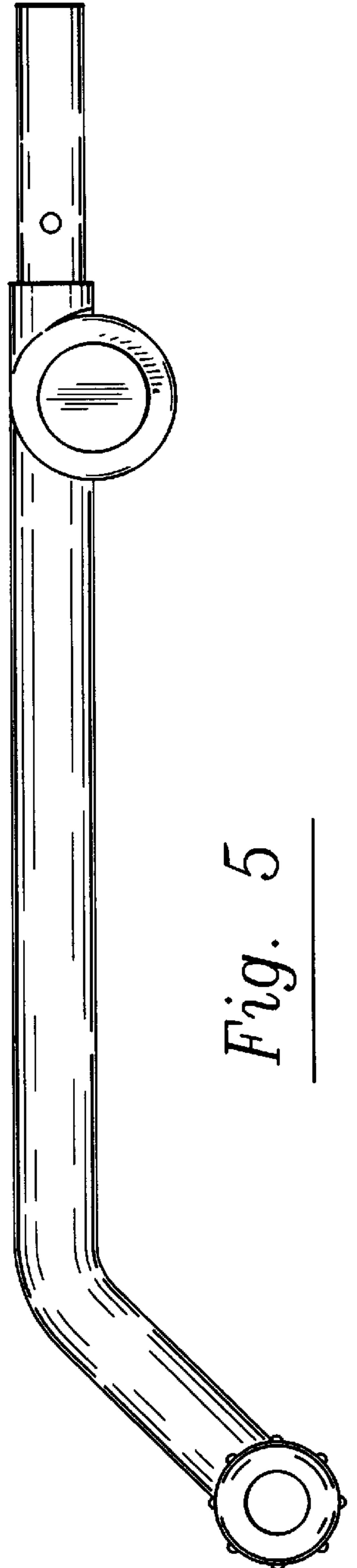


*Fig. 3*

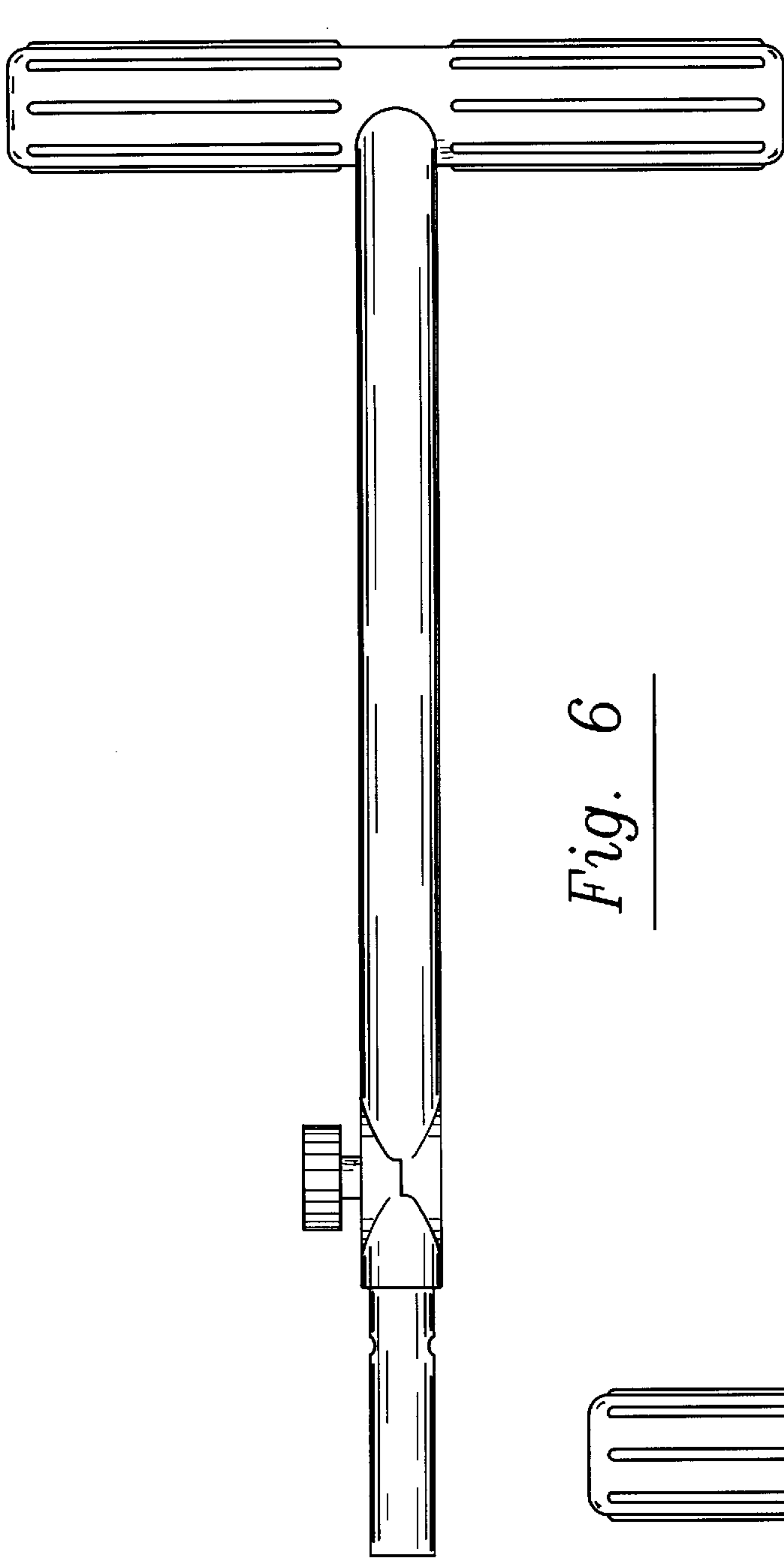
*Fig. 2*



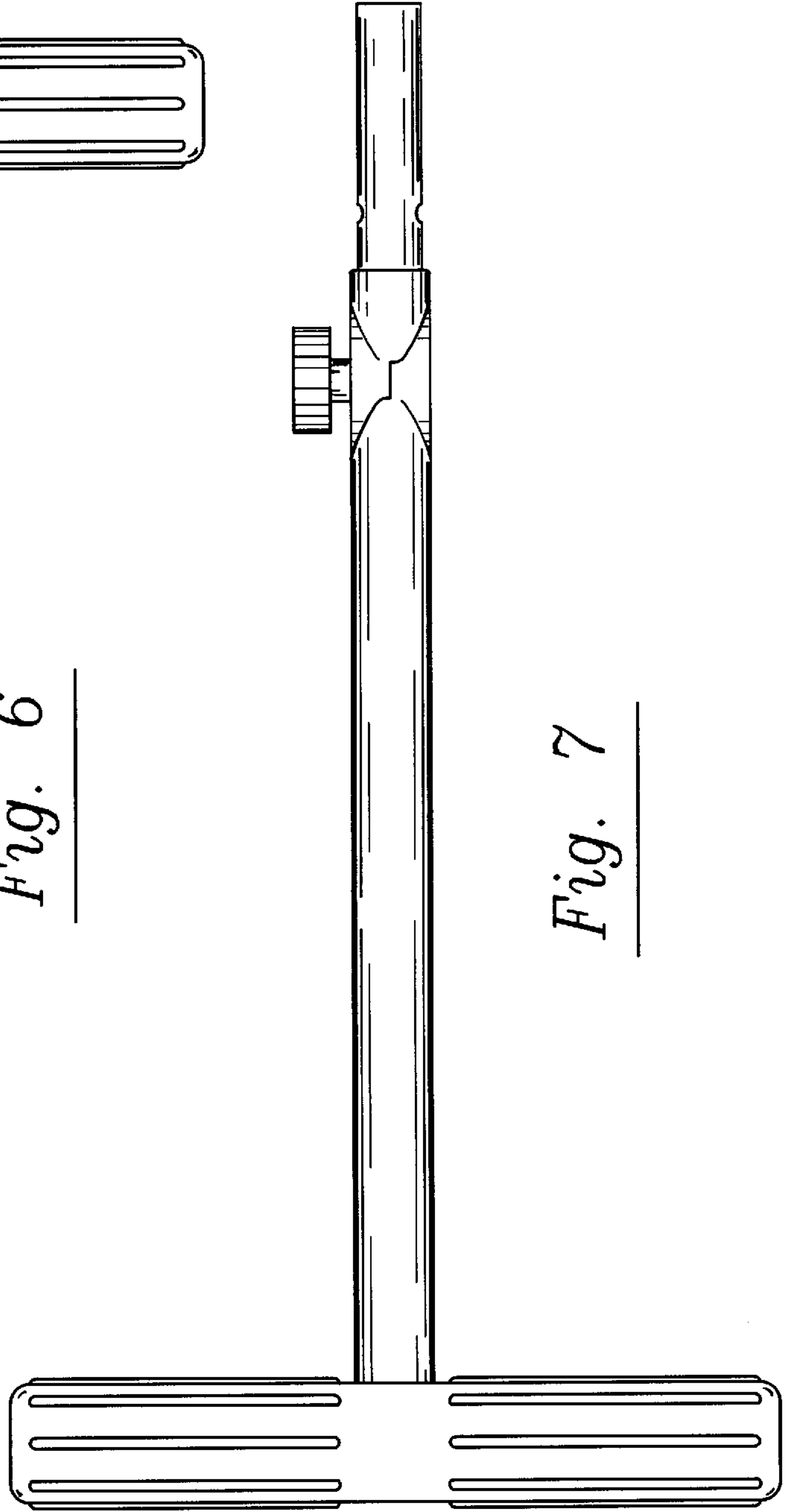
*Fig. 4*



*Fig. 5*



*Fig. 6*



*Fig. 7*