



US00D398105S

United States Patent [19]

Diehl et al.

[11] **Patent Number: Des. 398,105**

[45] **Date of Patent: **Sep. 8, 1998**

[54] **AWNING CLEANING TOOL**

[76] Inventors: **Paul F. Diehl**, 832 S. Boulevard St., Tampa, Fla. 33606; **Heidi A. Diehl**, 509 NE. 121st. St., North Miami; **Frederick E. Diehl**, 470 NE. 121st. St., Biscayne Park, both of Fla. 33161; **Paul Diehl, Sr.**, 3109 Santiago St., Tampa, Fla. 33629

[**] Term: **14 Years**

[21] Appl. No.: **79,071**

[22] Filed: **Nov. 7, 1997**

[51] **LOC (6) Cl. 12-05**

[52] **U.S. Cl. D32/35; D4/122**

[58] **Field of Search D32/35, 45, 52; 15/119.2; D4/122; D25/57; 401/137, 138, 139, 140**

[56] **References Cited**

U.S. PATENT DOCUMENTS

- 117,997 8/1871 Earnest .
- D. 288,973 3/1987 Hamazaki D4/122 X
- D. 293,742 1/1988 Call D4/122 X

- 622,809 4/1899 Keyser 401/137
- 732,205 6/1903 Mable 401/137
- 3,253,290 5/1966 Powers 401/137
- 3,748,678 7/1973 Ballou .
- 4,059,358 11/1977 Arai 401/137 X

Primary Examiner—Susan J. Lucas
Assistant Examiner—Cynthia E. Ramirez
Attorney, Agent, or Firm—Arthur W. Fisher, III

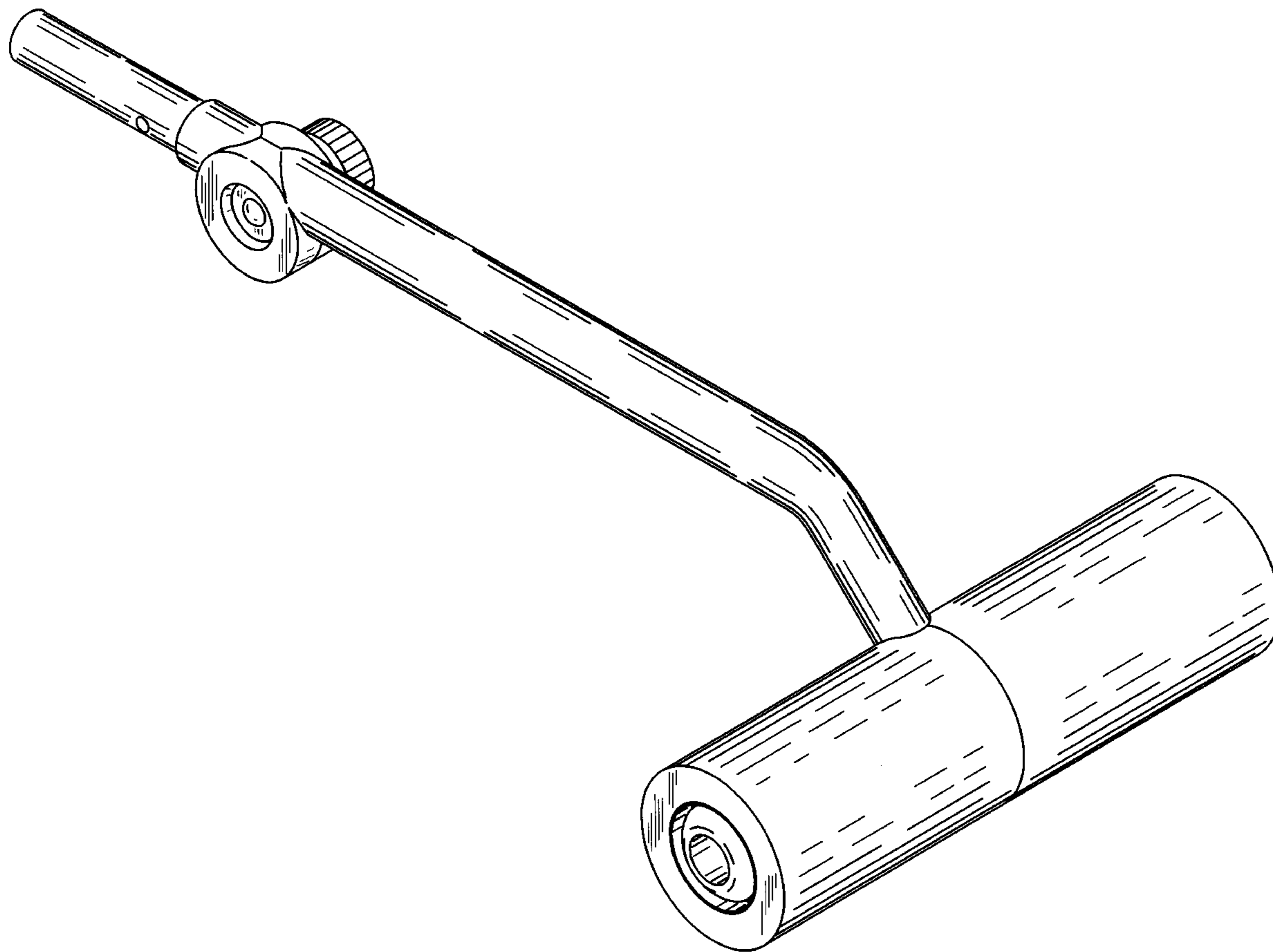
[57] **CLAIM**

We claim the ornamental design for an awning cleaning tool, as shown and described.

DESCRIPTION

FIG. 1 is a perspective view of the awning cleaning tool; FIG. 2 is a top plan view of the awning cleaning tool thereof; FIG. 3 is a bottom plan view of the awning cleaning tool thereof; FIG. 4 is a right elevational view of the awning cleaning tool thereof; FIG. 5 is a left elevational view of the awning cleaning tool thereof; FIG. 6 is a front view of the awning cleaning tool thereof; and, FIG. 7 is a rear view of the awning cleaning tool thereof.

1 Claim, 3 Drawing Sheets



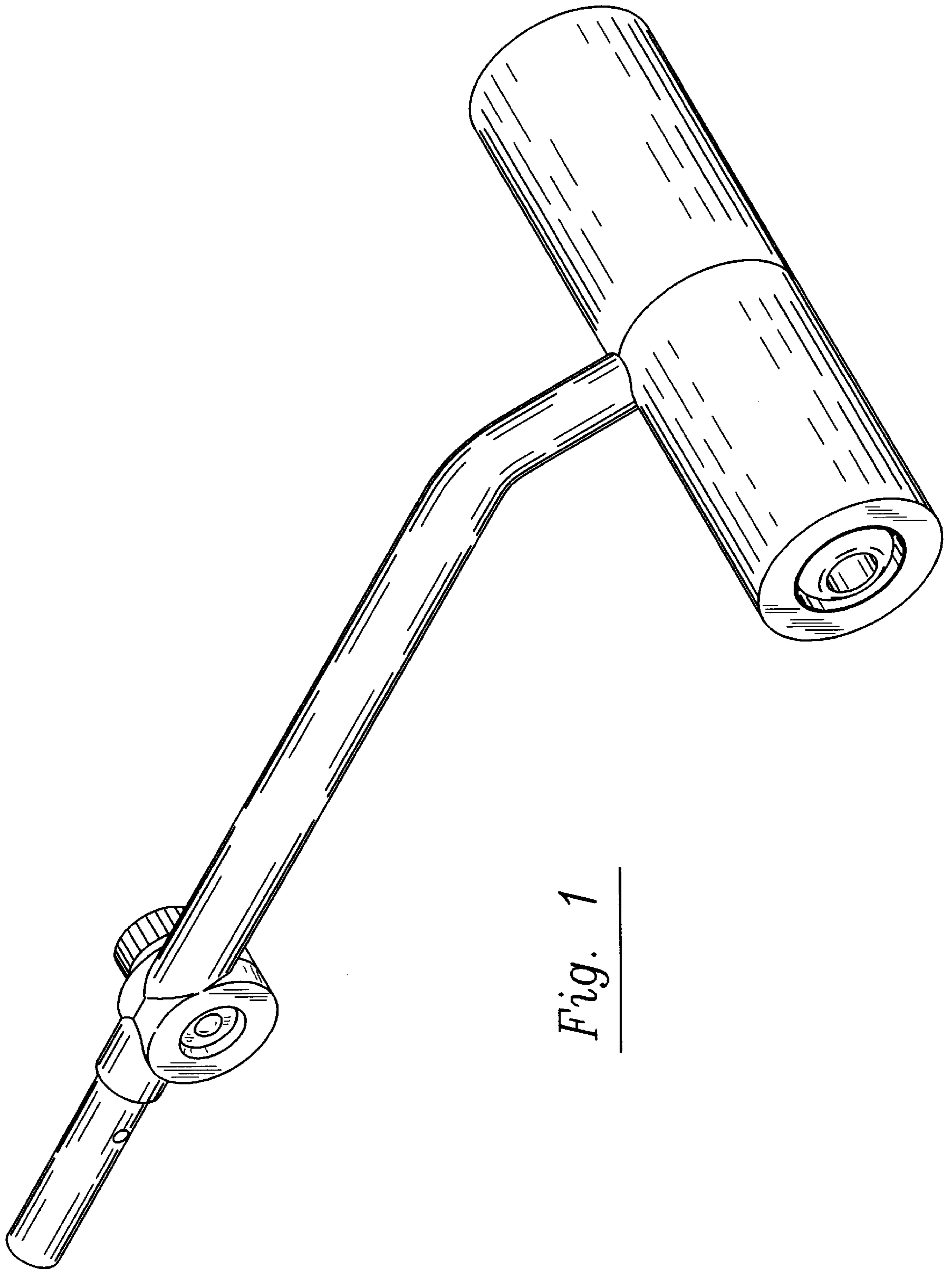


Fig. 1

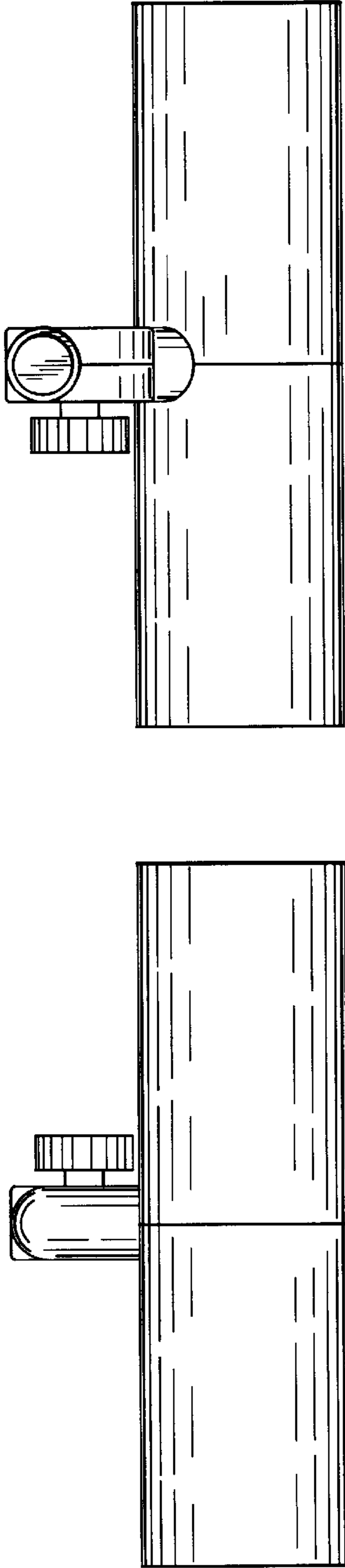


Fig. 3

Fig. 2

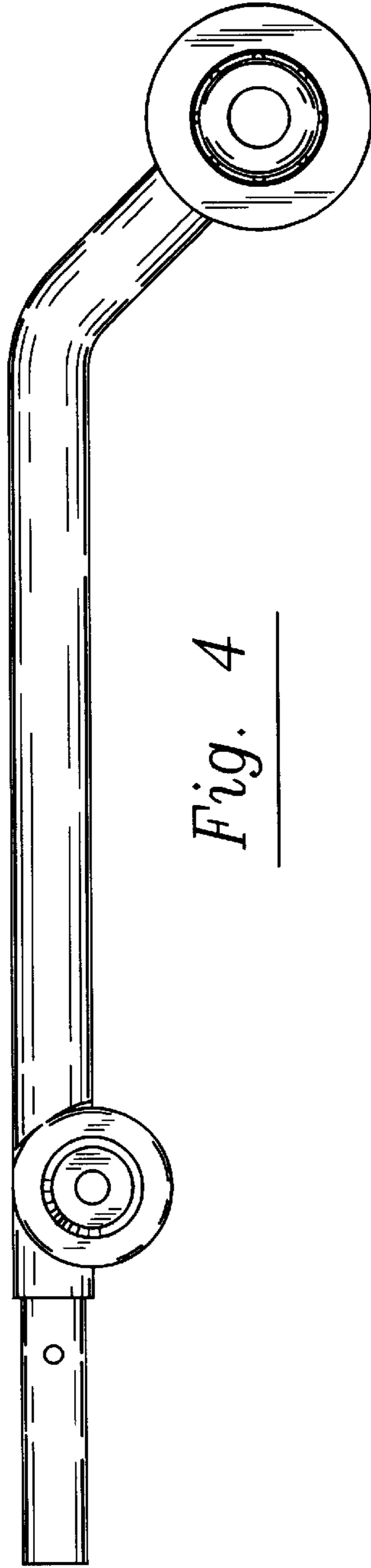


Fig. 4

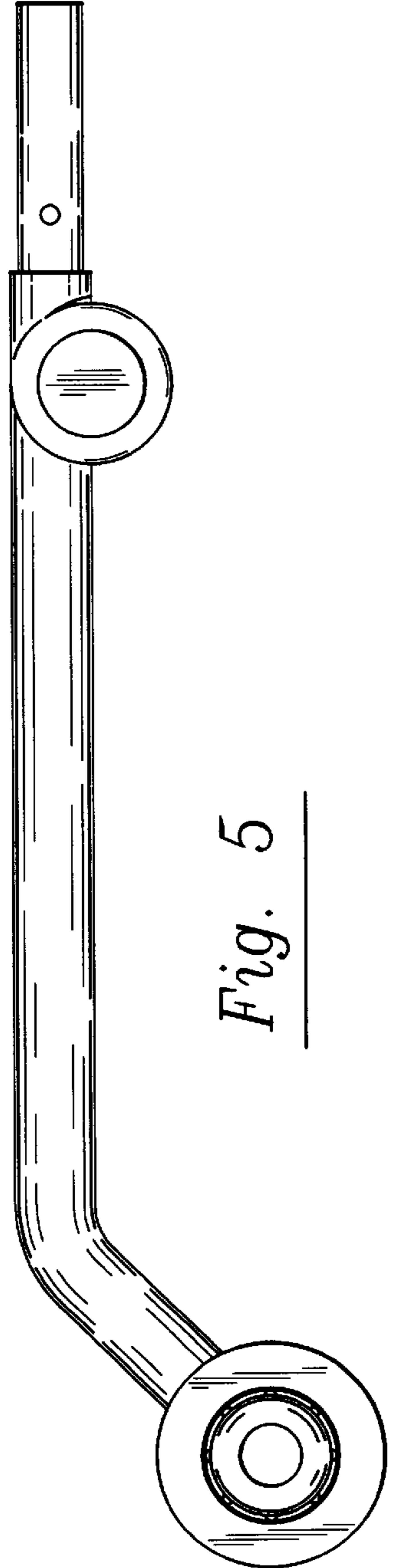


Fig. 5

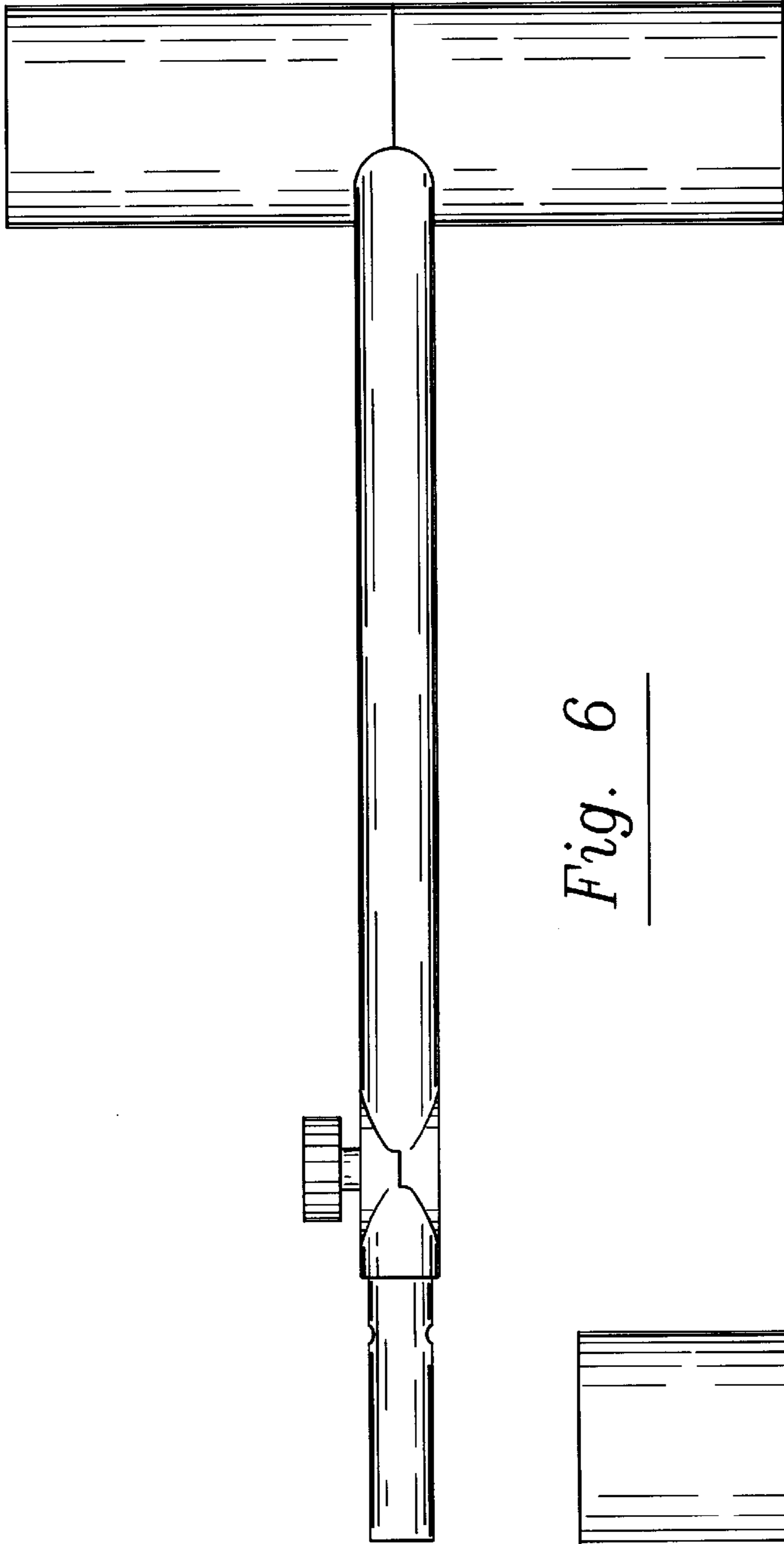


Fig. 6

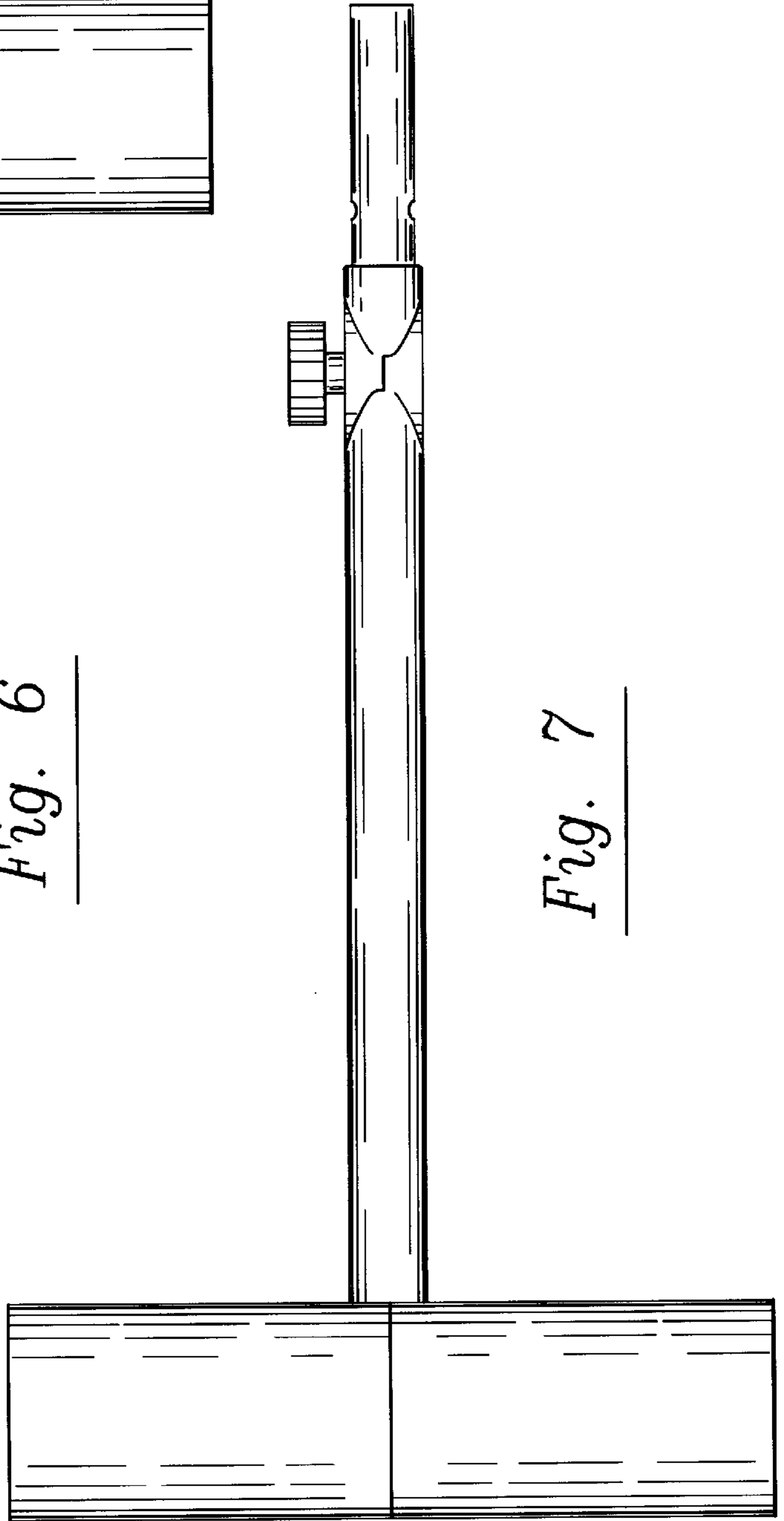


Fig. 7