



US00D398102S

United States Patent [19]
Schober

[11] **Patent Number: Des. 398,102**

[45] **Date of Patent: **Sep. 8, 1998**

[54] **APPLIANCE CONTROL PANEL**

[75] Inventor: **Stephen D. Schober**, Newton, Iowa

[73] Assignee: **Maytag Corporation**, Newton, Iowa

[**] Term: **14 Years**

[21] Appl. No.: **72,946**

[22] Filed: **Jun. 26, 1997**

[51] **LOC (6) Cl. 15-05**

[52] **U.S. Cl. D32/25**

[58] **Field of Search** D32/1, 2, 3, 5,
D32/6, 25, 28; 68/139, 140, 142, 172, 173;
134/56 D, 57 D, 57 DL, 60, 93, 58 DL,
58 R; 312/109

[56] **References Cited**

U.S. PATENT DOCUMENTS

D. 169,113	3/1953	Sundberg	D32/6
D. 181,379	11/1957	Sundberg	D32/6
D. 284,124	6/1986	Haruguchi et al.	D32/6
D. 359,602	6/1995	Swartz et al.	D32/6
D. 360,501	7/1995	Ertz et al.	D32/6
D. 380,883	7/1997	Katz et al.	D32/6 X

OTHER PUBLICATIONS

Amana Refrigeration, Inc., Maytheon Appliances, 1996, Pages (entire brochure), Printed in U.S.A.

Frigidaire Company, Model Specifications for Laundry Products Frigidaire, 1996, Pages (entire brochure), Printed in U.S.A.

Whirlpool Corporation, Whirlpool Home Appliances, Making Your World A Little Easier, 1996, Pages (entire brochure), Printed in U.S.A.

Primary Examiner—Sandra L. Morris
Assistant Examiner—Mitchell I. Siegel
Attorney, Agent, or Firm—Zarley, McKee, Thomte, Voorhees & Sease

[57] **CLAIM**

I claim the ornamental design for an appliance control panel, as shown and described.

DESCRIPTION

FIG. 1 is a perspective view of an appliance control panel of the present invention, the broken line showing of a washer and dryer is for illustrative purposes only and forms no part of the claimed design;

FIG. 2 is an enlarged perspective view thereof, the broken line showing of controls is for illustrative purposes only and forms no part of the claimed design;

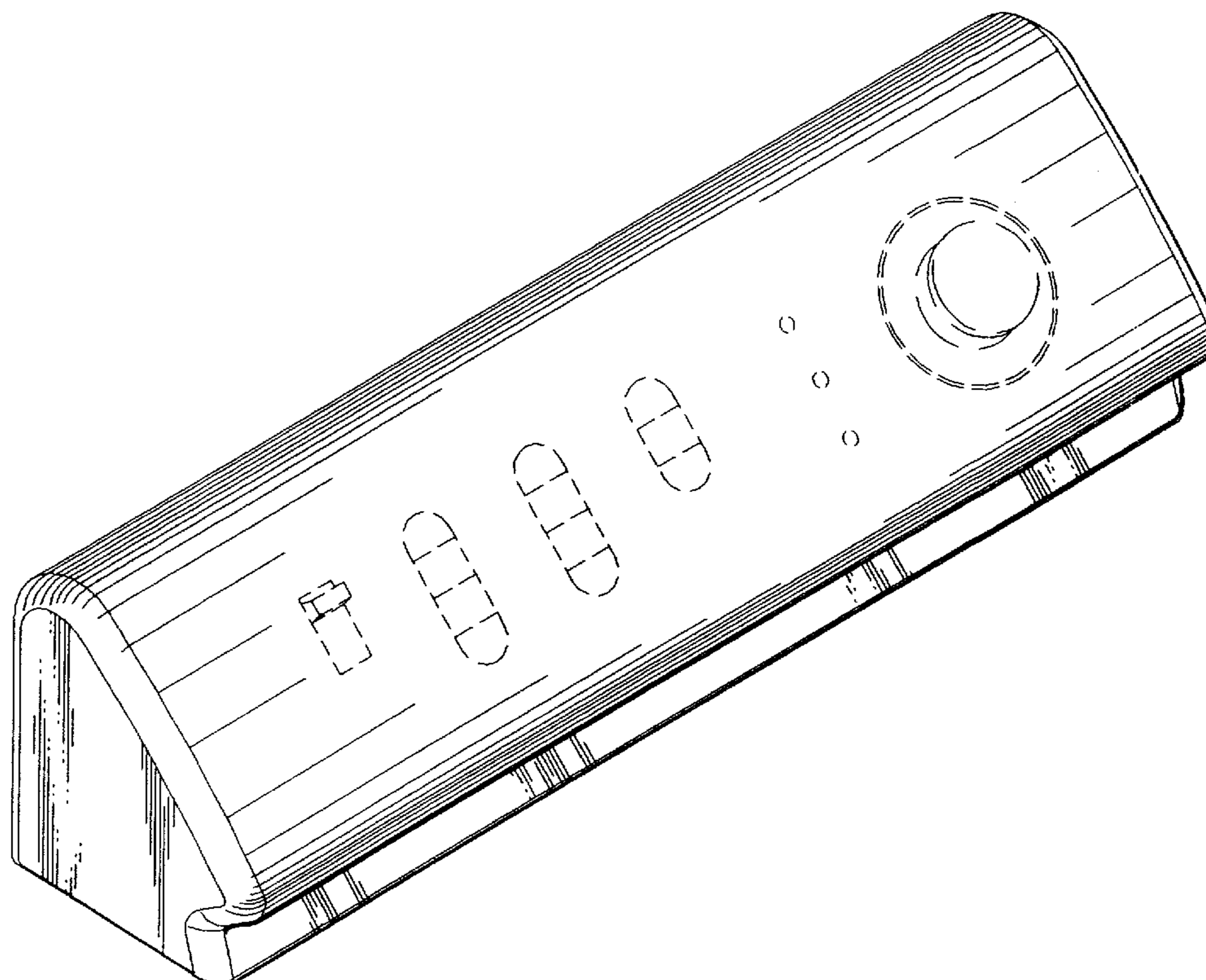
FIG. 3 is a front elevational view of FIG. 2;

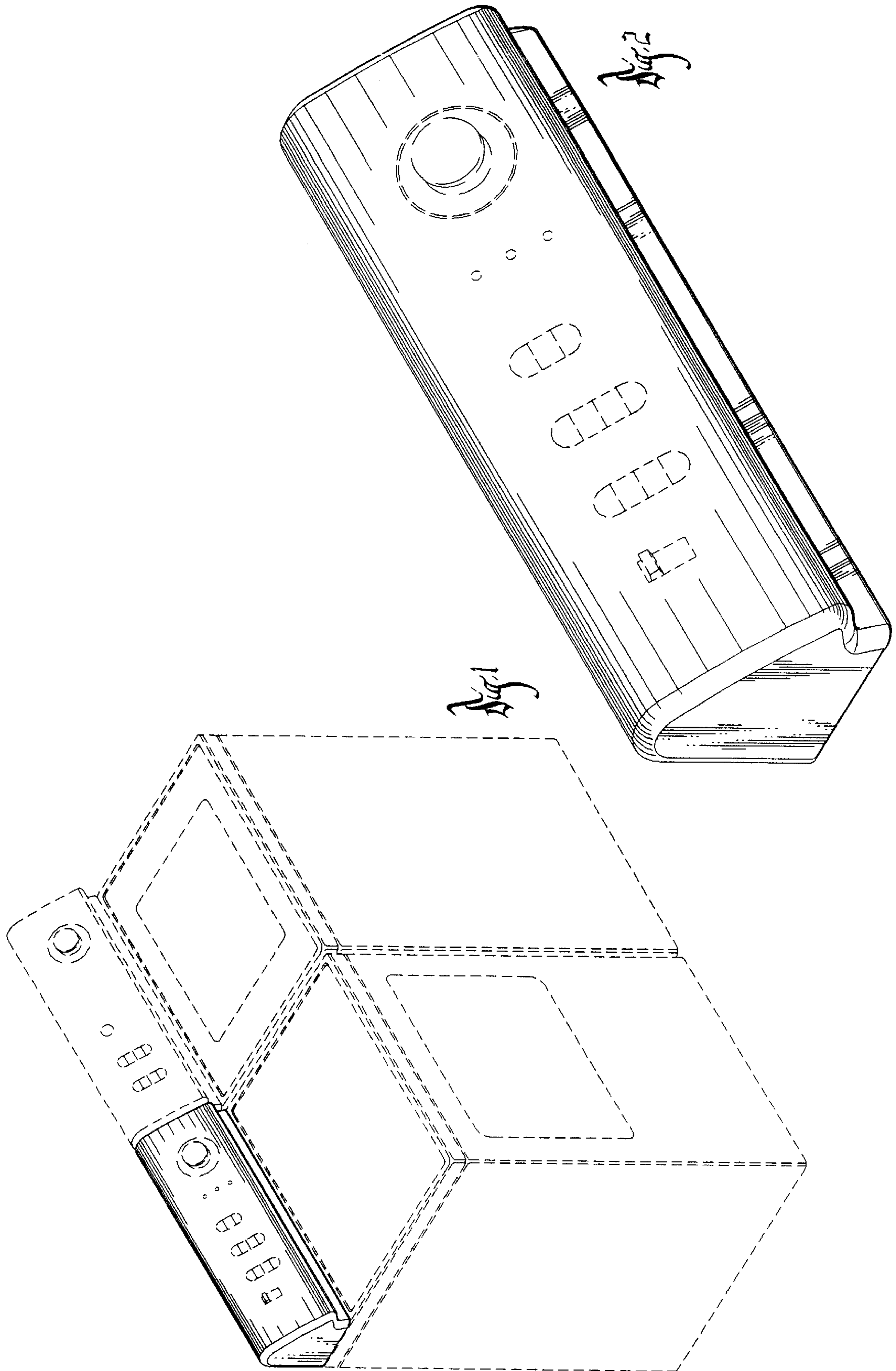
FIG. 4 is a top plan view of FIG. 2;

FIG. 5 is a rear elevational view of FIG. 2; and,

FIG. 6 is a left side elevational view of FIG. 2, the undisclosed opposite side being a mirror image.

1 Claim, 3 Drawing Sheets





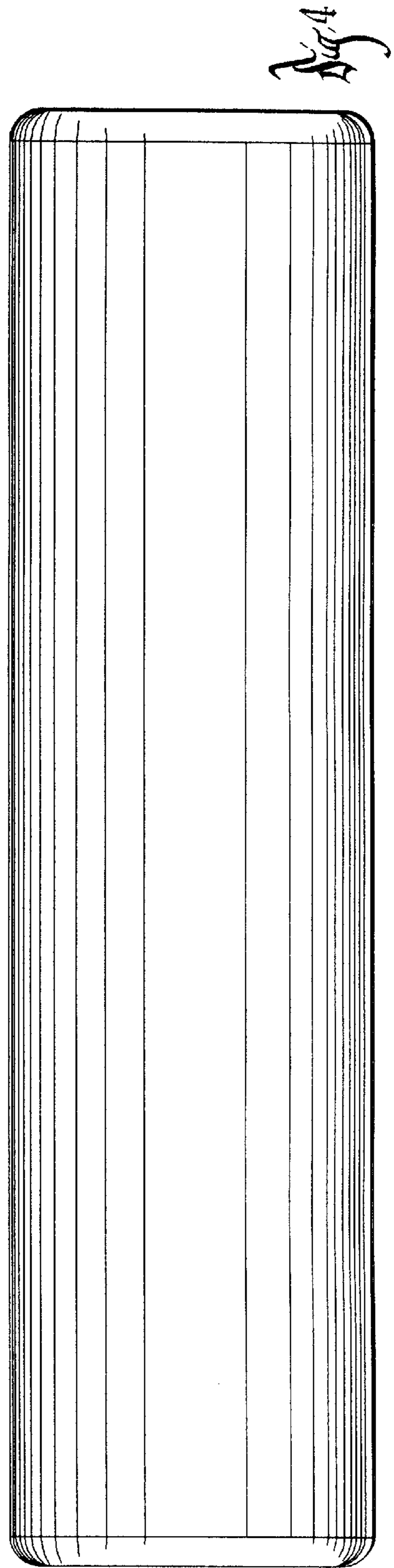
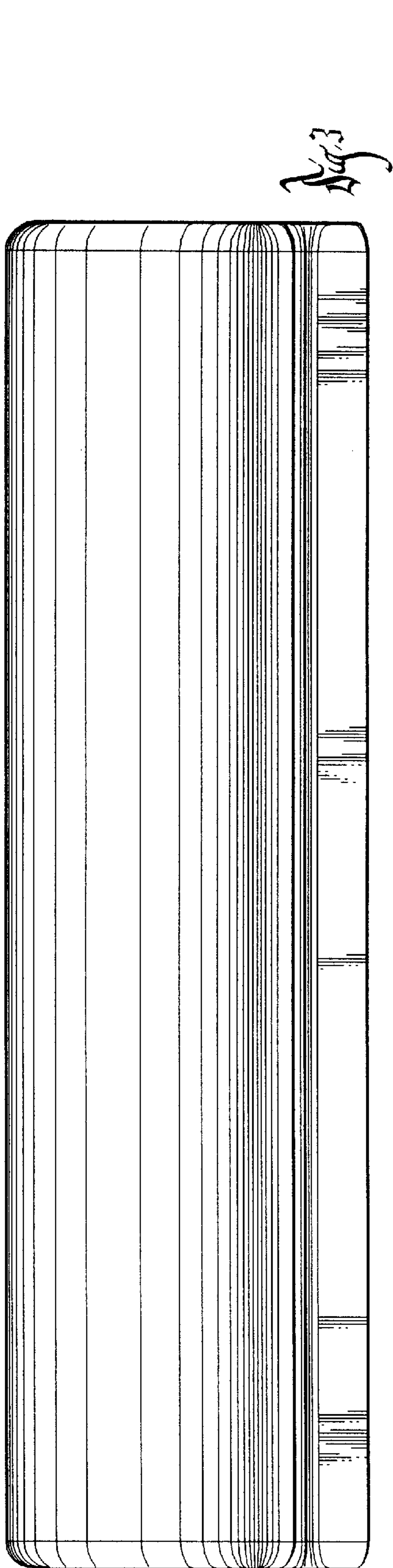


Fig. 5

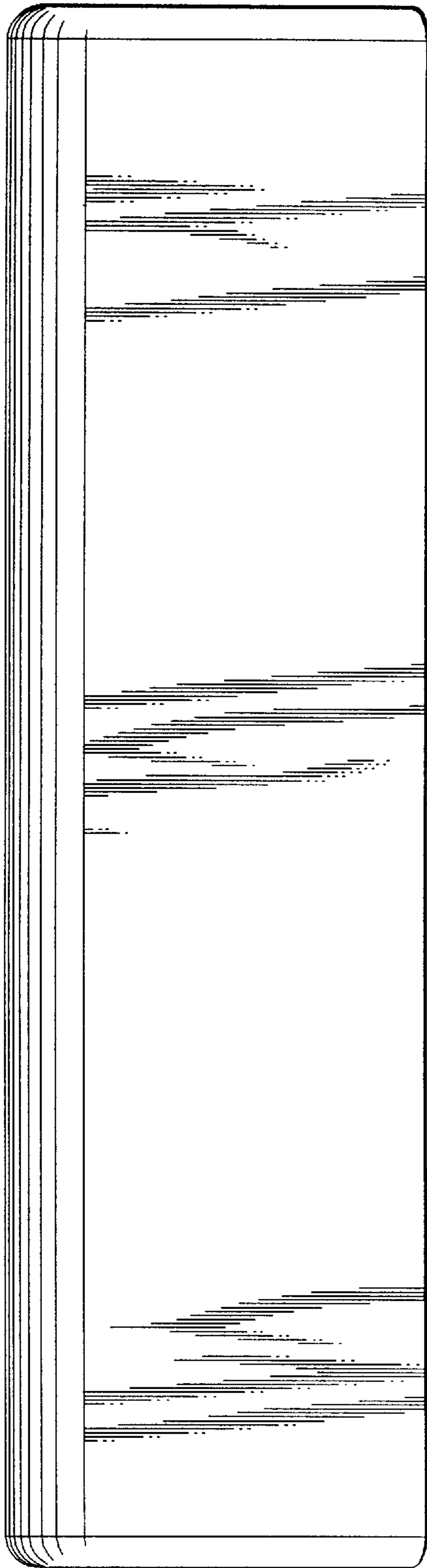


Fig. 6

