



US00D398101S

United States Patent [19]
Passien

[11] **Patent Number: Des. 398,101**
[45] **Date of Patent: **Sep. 8, 1998**

[54] **PIPE-MOUNTABLE VALVE FOR FLUID VACUUM CLEANING SYSTEM**

[75] Inventor: **Renold R. Passien**, Klamath Falls, Oreg.

[73] Assignee: **Production Metal Forming, Inc.**, Klamath Falls, Oreg.

[**] Term: **14 Years**

[21] Appl. No.: **51,610**

[22] Filed: **Mar. 14, 1996**

[51] **LOC (6) Cl.** **15-05**

[52] **U.S. Cl.** **D32/25**

[58] **Field of Search** D32/25, 31, 32, D32/17; D23/266; 15/321, 322

[56] **References Cited**

U.S. PATENT DOCUMENTS

D. 239,243	3/1976	Hachtmann et al.	D32/32
D. 242,211	11/1976	Parise	D32/32
D. 246,523	11/1977	Bartlett	D32/32
D. 255,359	6/1980	Bartlett	D32/32
D. 264,139	4/1982	Pearman, Jr.	D32/32
D. 296,372	6/1988	Toney et al.	D32/32
D. 362,670	9/1995	Jetter	D15/13
2,270,579	1/1942	Chamberlin et al. .	
2,504,360	5/1950	Auken .	
2,722,397	10/1955	Bruce et al. .	
3,288,430	11/1966	Priese .	
3,474,829	10/1969	Scheineman .	
3,958,298	5/1976	Cannan .	
3,962,745	6/1976	Collier	15/322
4,009,728	3/1977	Parise .	

4,073,030	2/1978	Albishausen .	
4,083,077	4/1978	Knight et al. .	
4,649,594	3/1987	Grave .	
4,872,920	10/1989	Flynn et al. .	
4,879,784	11/1989	Shero .	
4,976,005	12/1990	Grave .	
4,984,328	1/1991	Berfield	15/322
4,998,317	3/1991	Passien .	
5,113,547	5/1992	Mayhew .	
5,157,805	10/1992	Pinter .	
5,649,739	7/1997	Campbell .	

FOREIGN PATENT DOCUMENTS

2704308 8/1978 Germany .

Primary Examiner—Sandra L. Morris
Assistant Examiner—Mitchell I. Siegel
Attorney, Agent, or Firm—Dority & Manning, PA

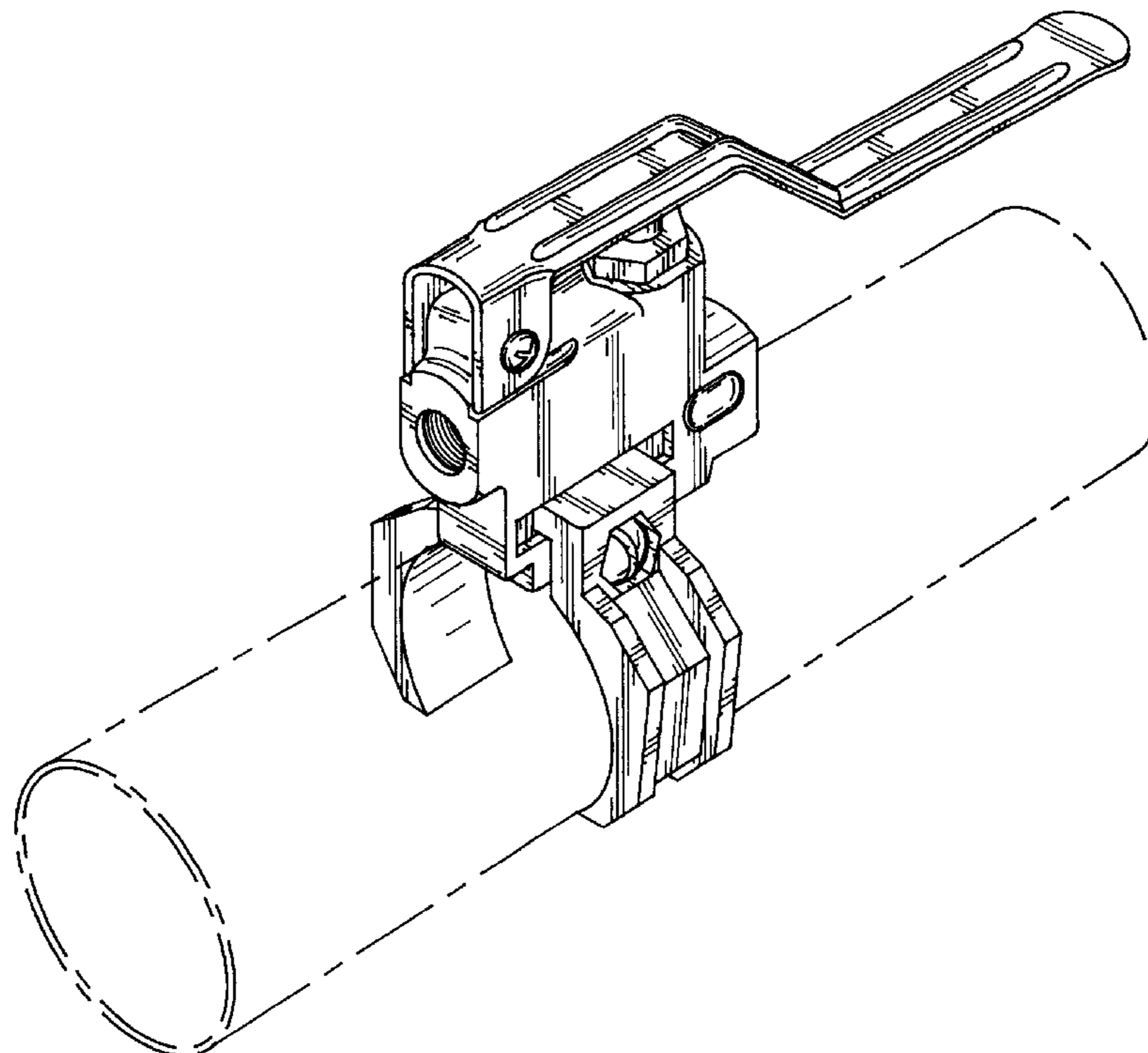
[57] **CLAIM**

The ornamental design of pipe-mountable valve for fluid vacuum cleaning system, as shown and described.

DESCRIPTION

FIG. 1 is a front and right side perspective view of a pipe-mountable valve for a fluid vacuum cleaning system showing my new design; the broken line showing of a pipe is for illustrative purposes only and forms no part of the claimed design;
FIG. 2 is a right side elevational view thereof;
FIG. 3 is a top plan view thereof;
FIG. 4 is a left side elevational view thereof;
FIG. 5 is a bottom elevational view thereof;
FIG. 6 is a front elevational view thereof; and,
FIG. 7 is a back elevational view thereof.

1 Claim, 3 Drawing Sheets



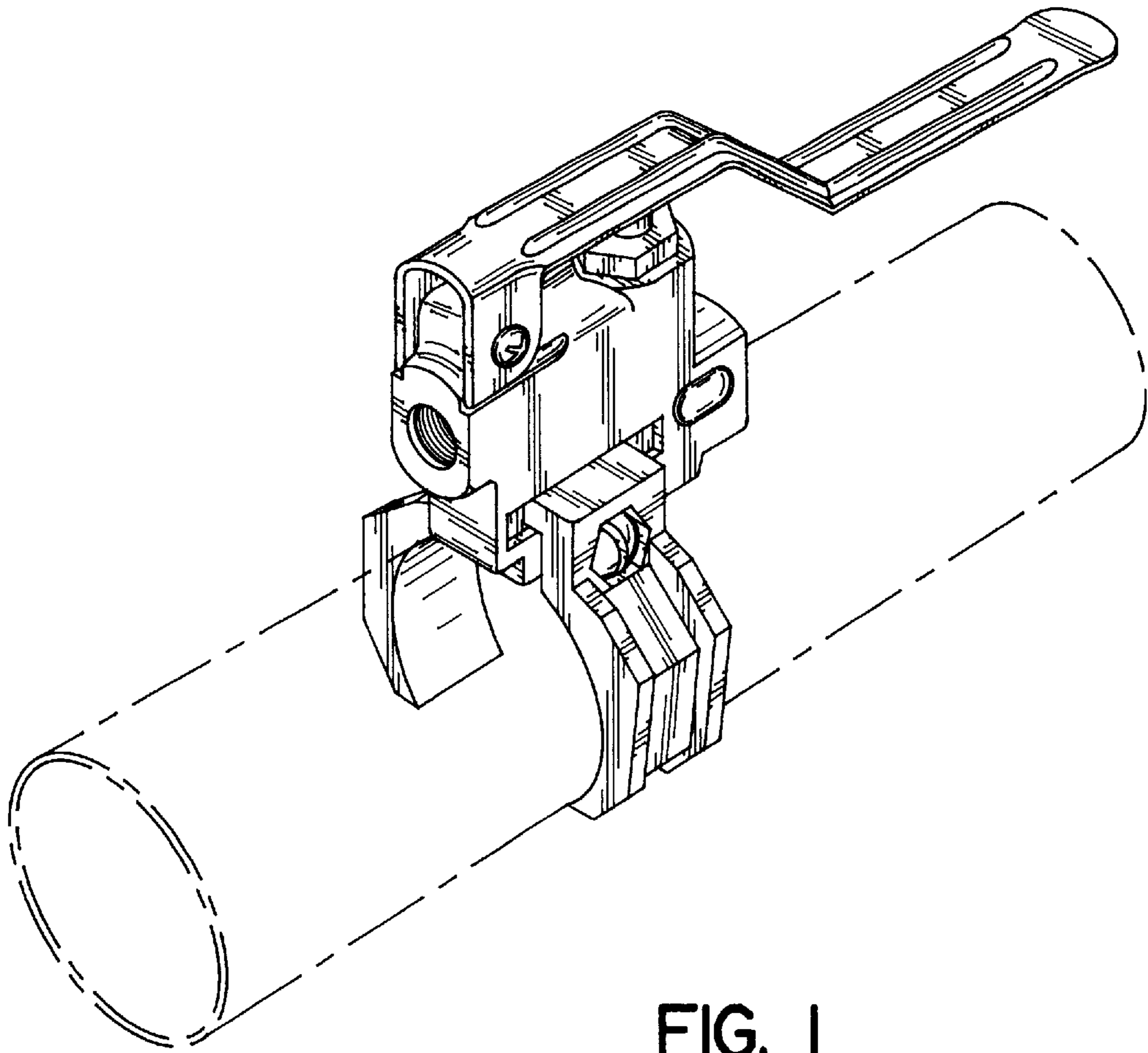


FIG. 1

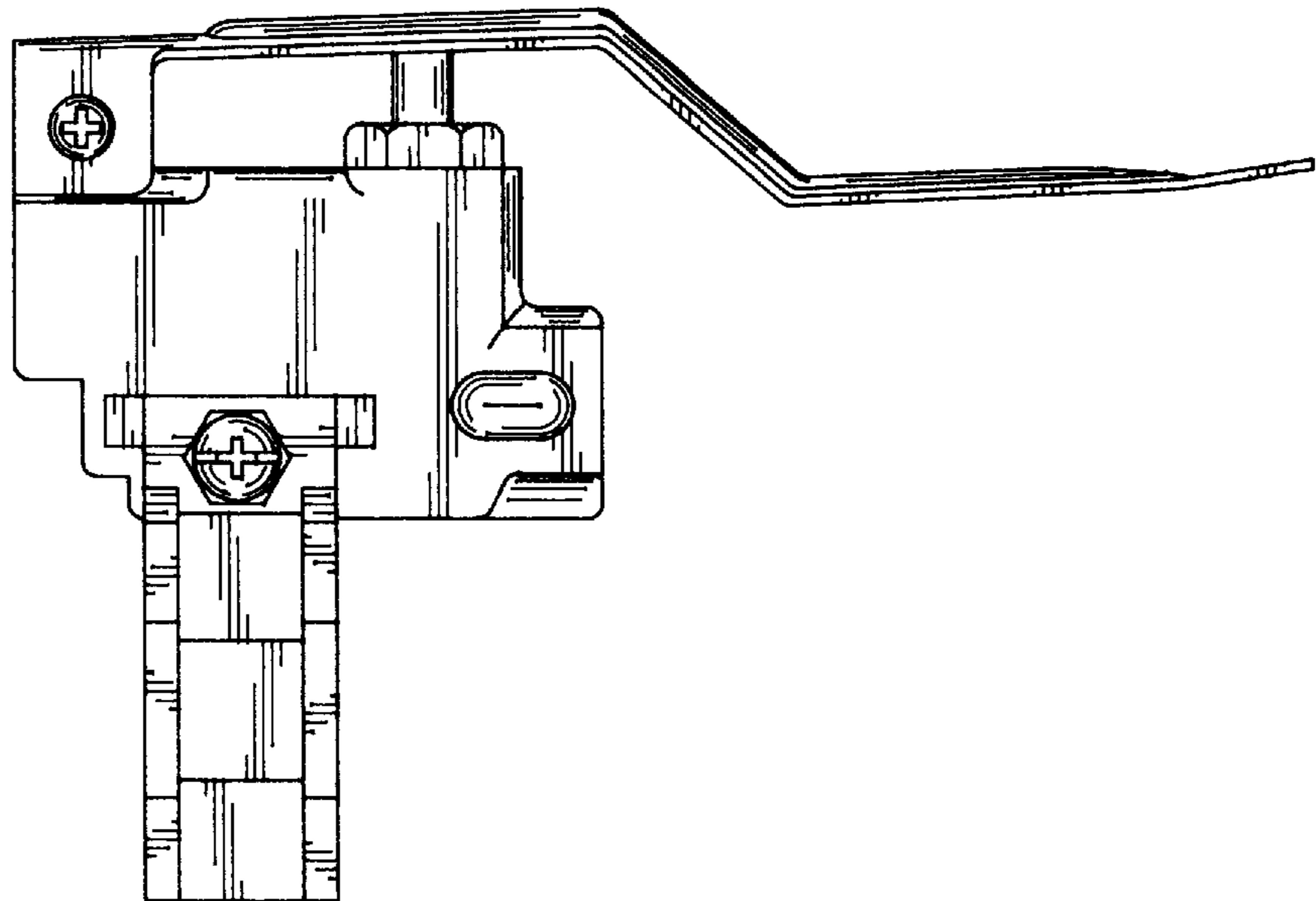


FIG. 2

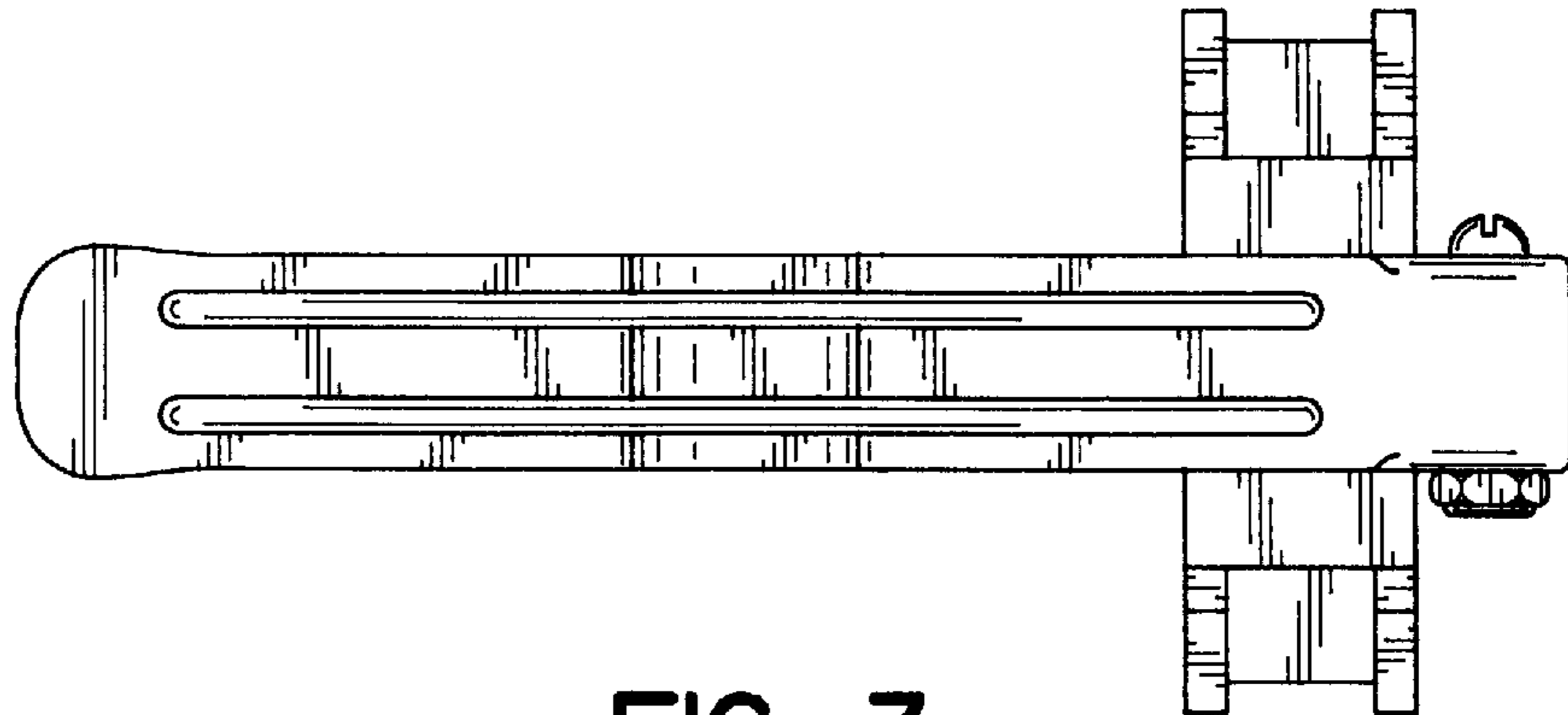


FIG. 3

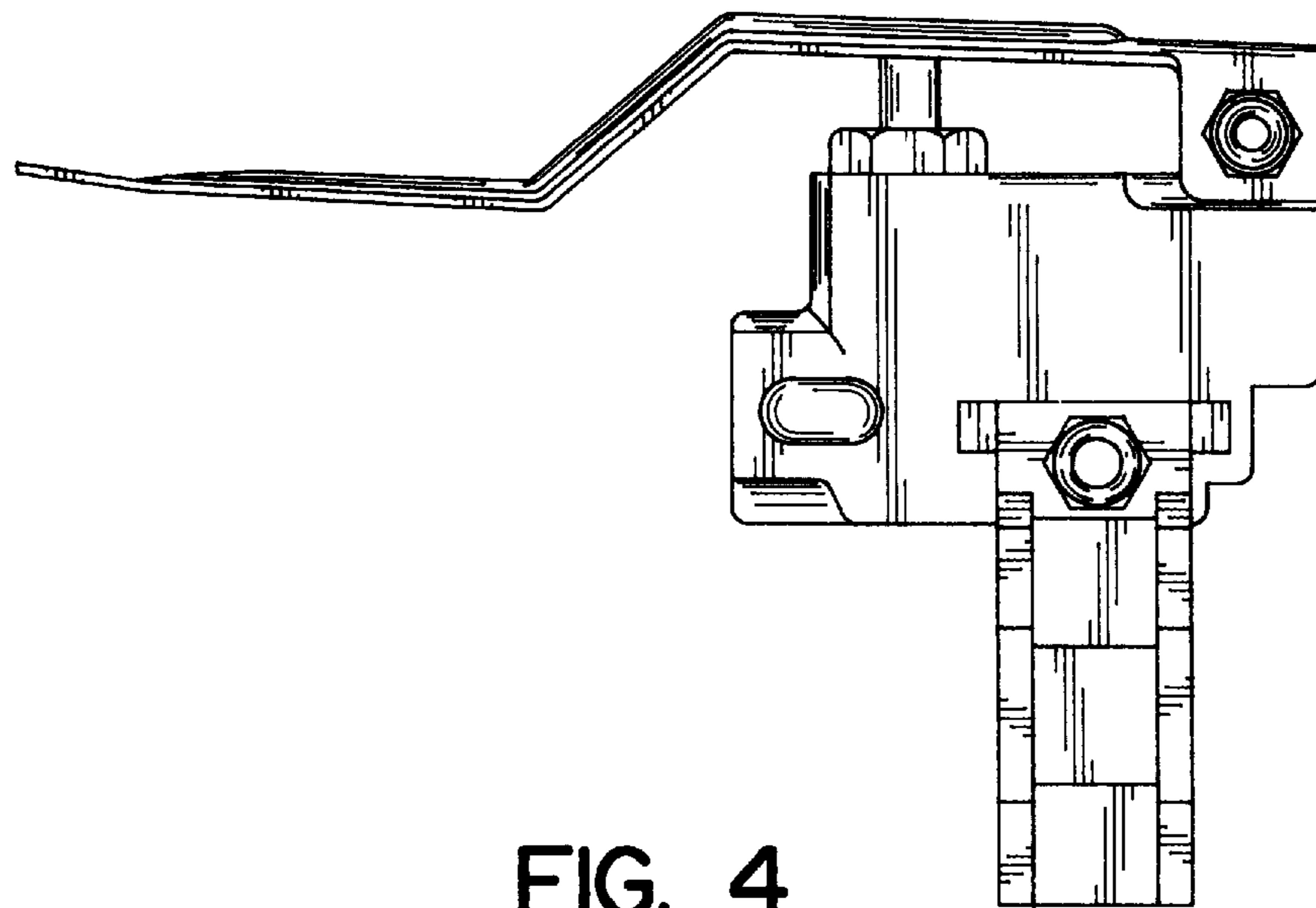


FIG. 4

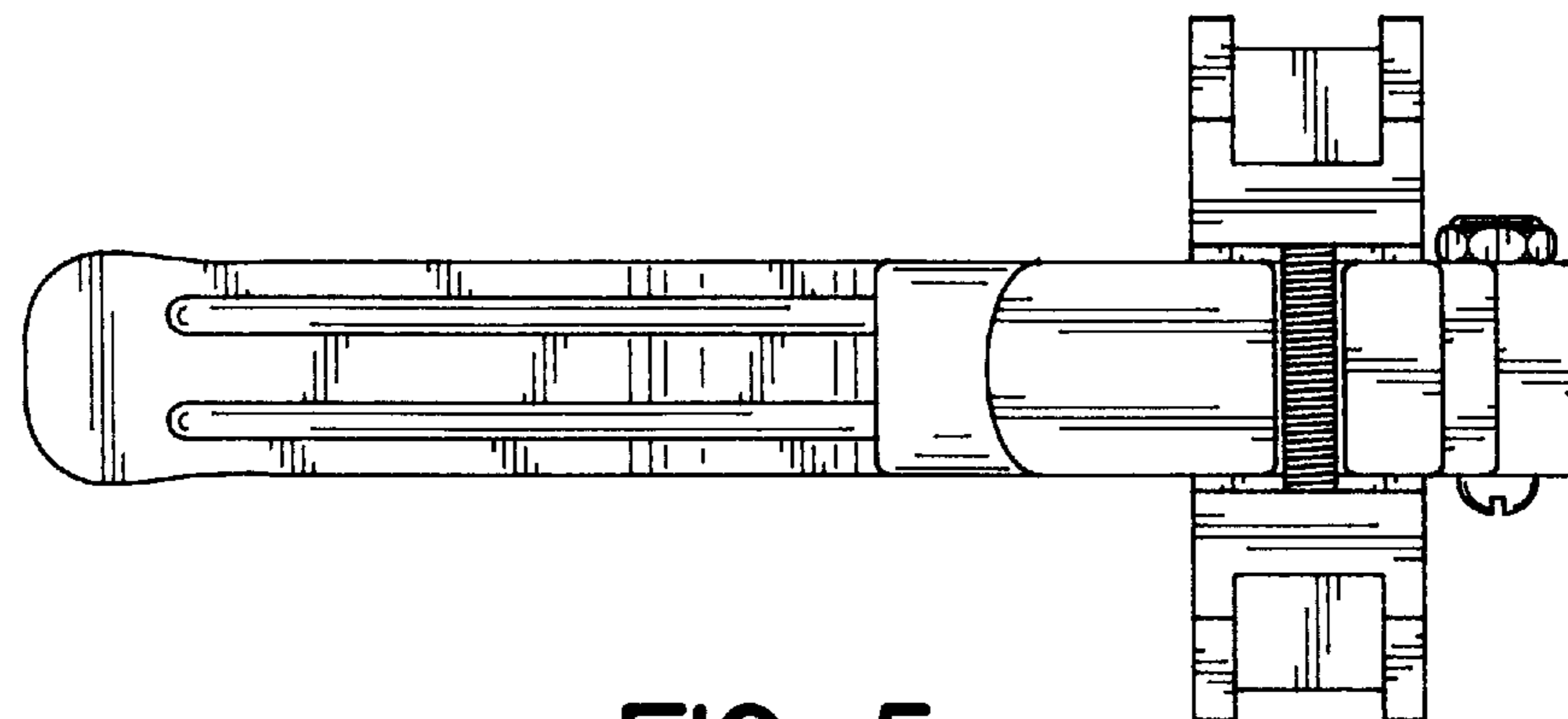


FIG. 5

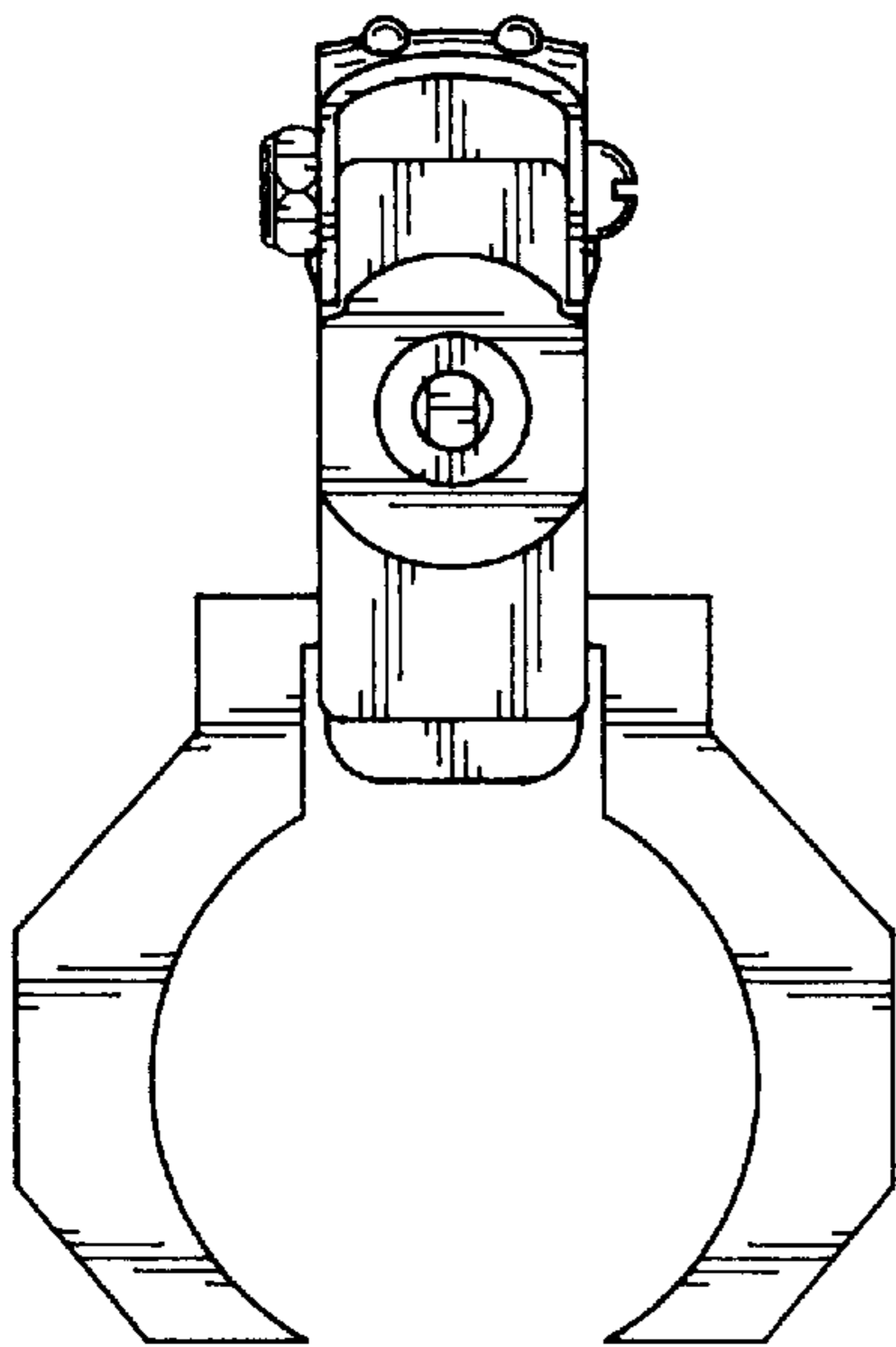


FIG. 6

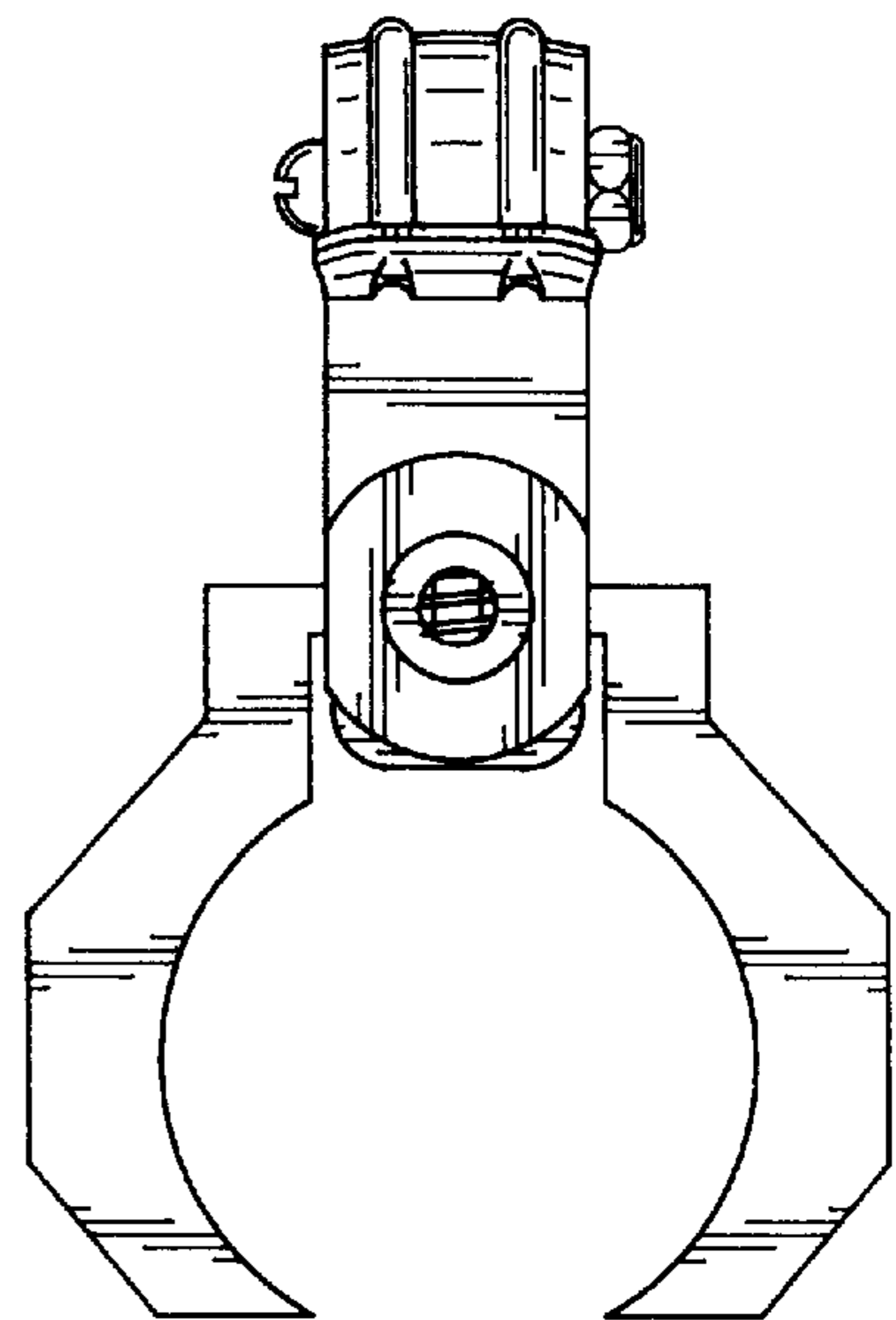


FIG. 7