



US00D398100S

United States Patent [19]
Stephens et al.

[11] **Patent Number: Des. 398,100**
[45] **Date of Patent: **Sep. 8, 1998**

[54] **CARPET EXTRACTOR**
[75] Inventors: **Ronald J. Stephens**, Rittman; **Douglas C. Barker**, North Canton; **Darwin S. Crouser**, Canton; **Darwin T. McKnight**, Louisville; **Edgar A. Maurer**, Canton, all of Ohio

3,020,577 2/1962 Carabet .
3,751,755 8/1973 Smith .
4,231,133 11/1980 Probost .
4,333,203 6/1982 Yonkers .
4,821,364 4/1989 McAllister et al. .
4,910,828 3/1990 Blase et al. .
5,087,018 2/1992 Blase et al. .
5,184,370 2/1993 Jung .
5,287,587 2/1994 Yonkers et al. .

[73] Assignee: **The Hoover Company**, North Canton, Ohio

[**] Term: **14 Years**

[21] Appl. No.: **54,100**

[22] Filed: **May 6, 1996**

[51] **LOC (6) Cl.** **15-05**

[52] **U.S. Cl.** **D32/23**

[58] **Field of Search** D32/21, 23; 15/327.1, 15/327.2, 327.7, 320, 321, 322, 347

[56] **References Cited**

U.S. PATENT DOCUMENTS

- D. 148,945 10/1948 Nuffer et al. .
- D. 199,022 9/1964 Frantz .
- D. 230,694 3/1974 Tevis .
- D. 280,768 9/1985 Ferraris et al. D32/23
- D. 318,155 7/1991 Goodrich .
- D. 347,504 5/1994 Furcron et al. .
- D. 358,689 5/1995 Wallace D32/23
- D. 361,179 8/1995 Moine et al. D32/23
- D. 362,522 9/1995 Kohler D32/23
- D. 367,342 2/1996 Langeland et al. D32/23
- D. 373,862 9/1996 Stephens et al. D32/23
- 1,982,345 11/1934 Kirby .
- 2,889,570 6/1959 Duff .

FOREIGN PATENT DOCUMENTS

54-131358 12/1979 Japan .

OTHER PUBLICATIONS

Shop-Vac Wet/Dry Vacuum Users Manual, Model 500X 1 Gallon, Shop-Vac Corp., 1994.
Breville Window Washer Users Manual, Model K250, Jan. 1994.

Primary Examiner—Ruth McInroy
Attorney, Agent, or Firm—A. Burgess Lowe; Bruce P. Watson

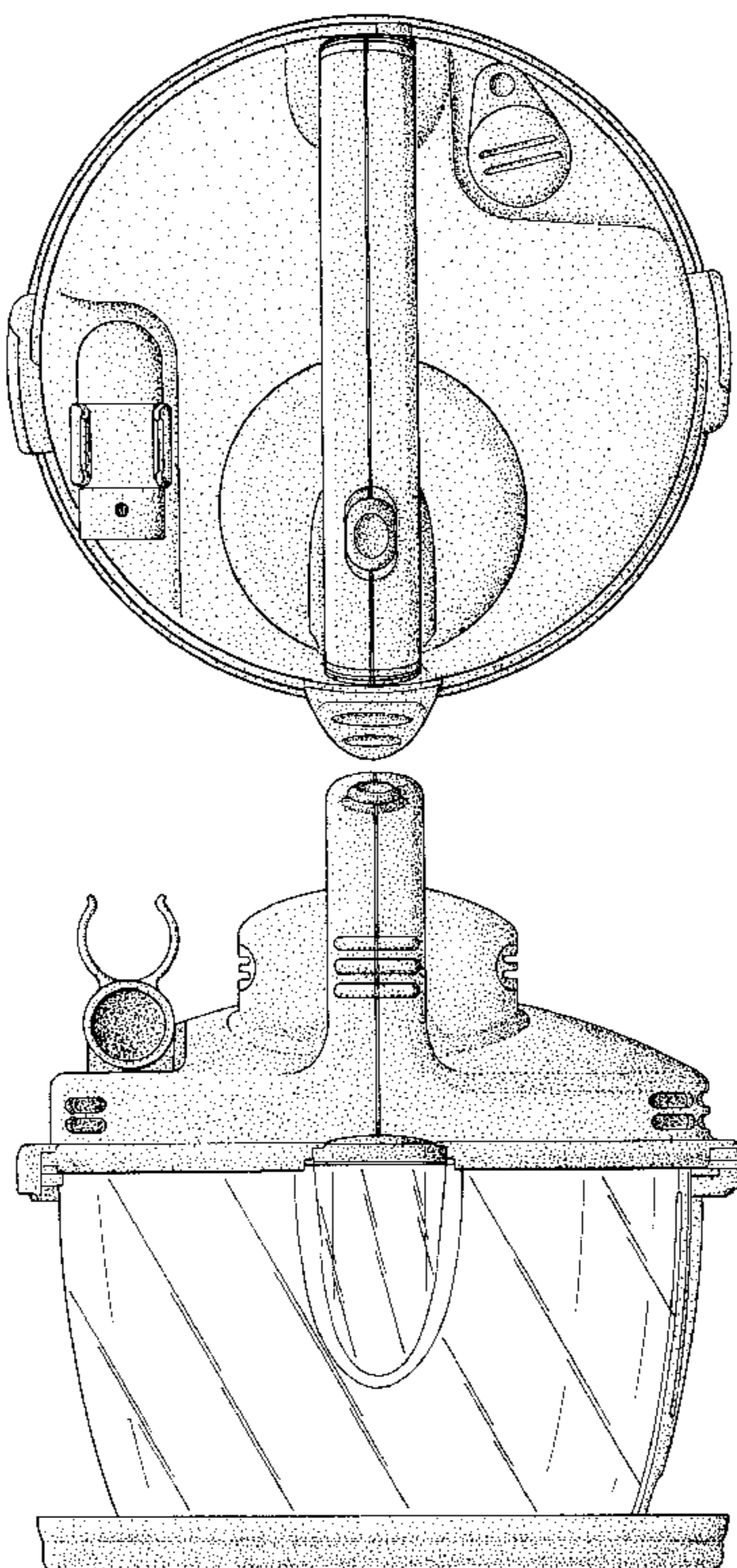
[57] **CLAIM**

The ornamental design of a carpet extractor, as shown and described.

DESCRIPTION

FIG. 1 is a top plan view of a carpet extractor showing our new design;
FIG. 2 is a front elevational view;
FIG. 3 is a left side elevational view;
FIG. 4 is a right side elevational view;
FIG. 5 is a rear elevational view; and,
FIG. 6 is a bottom view.

1 Claim, 3 Drawing Sheets



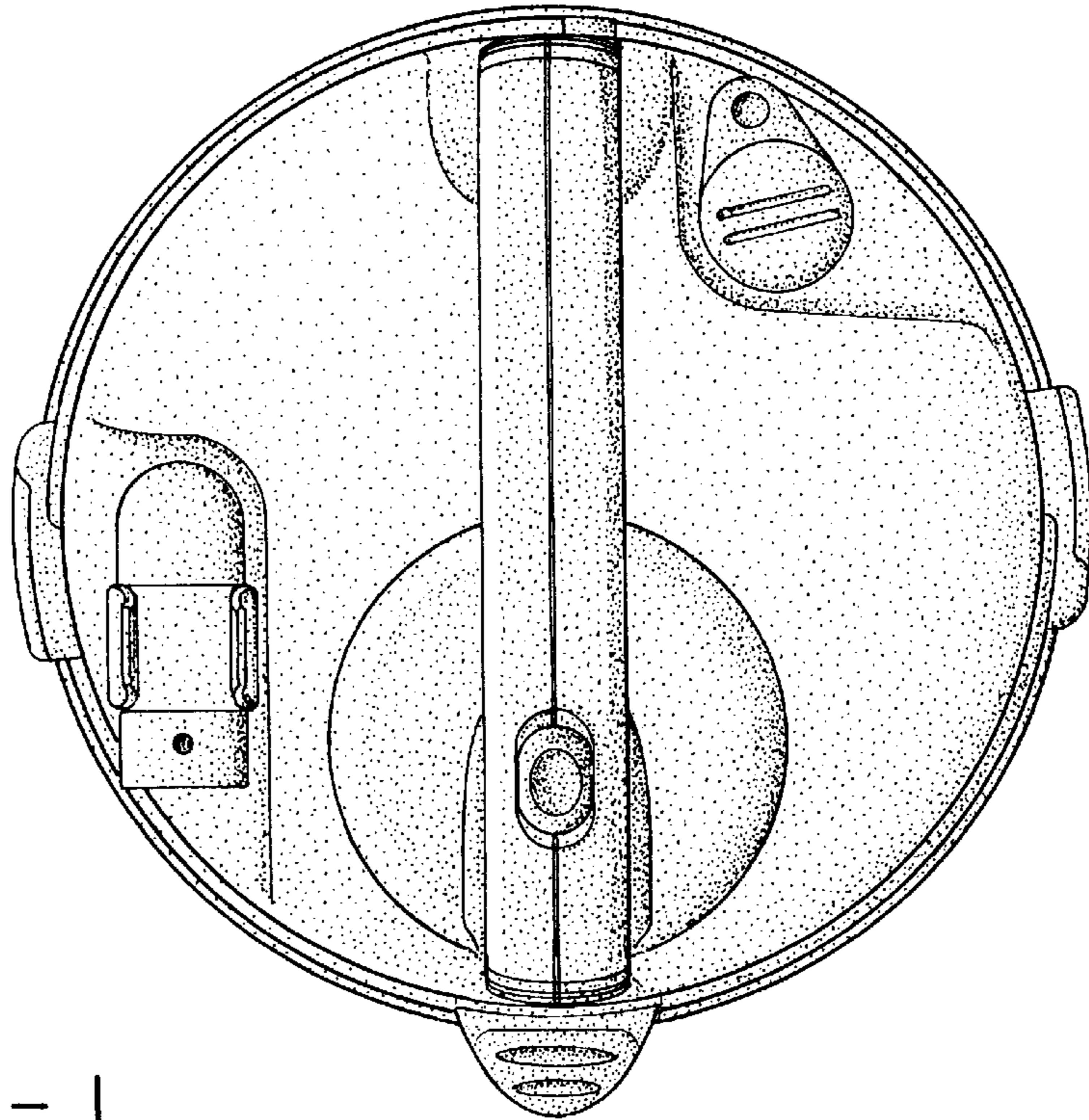
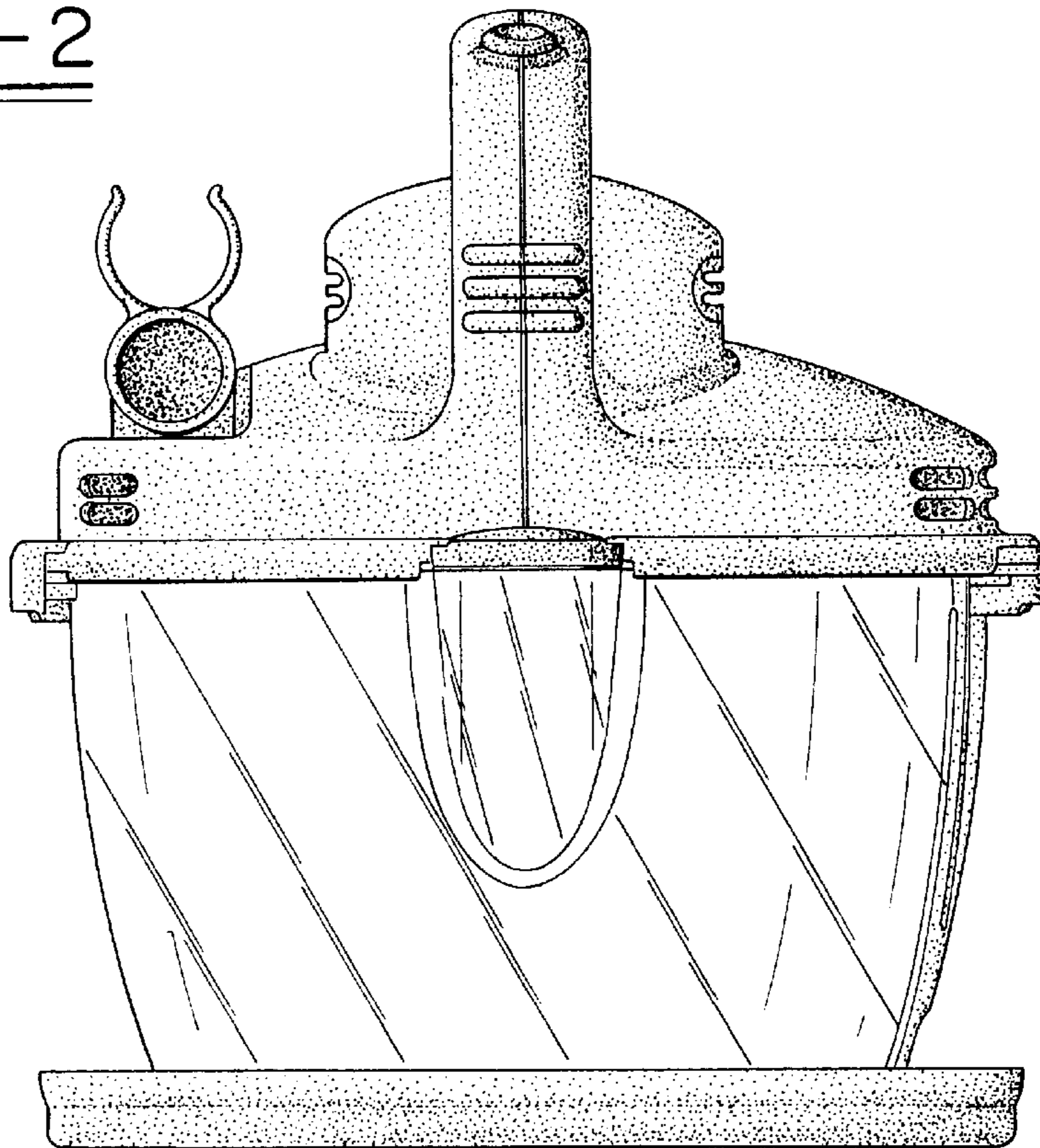


FIG. - 1

FIG. - 2



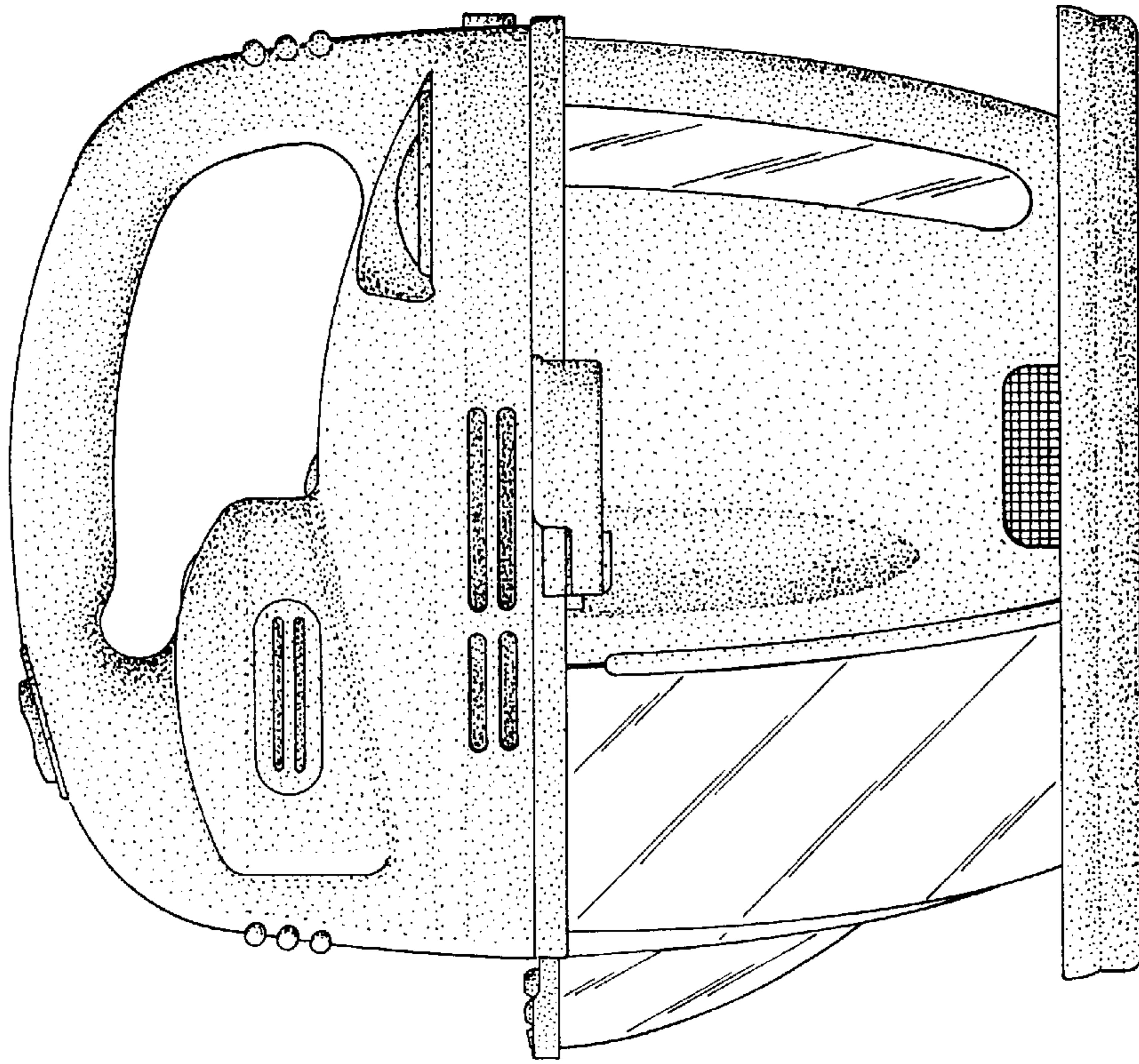


FIG. -4

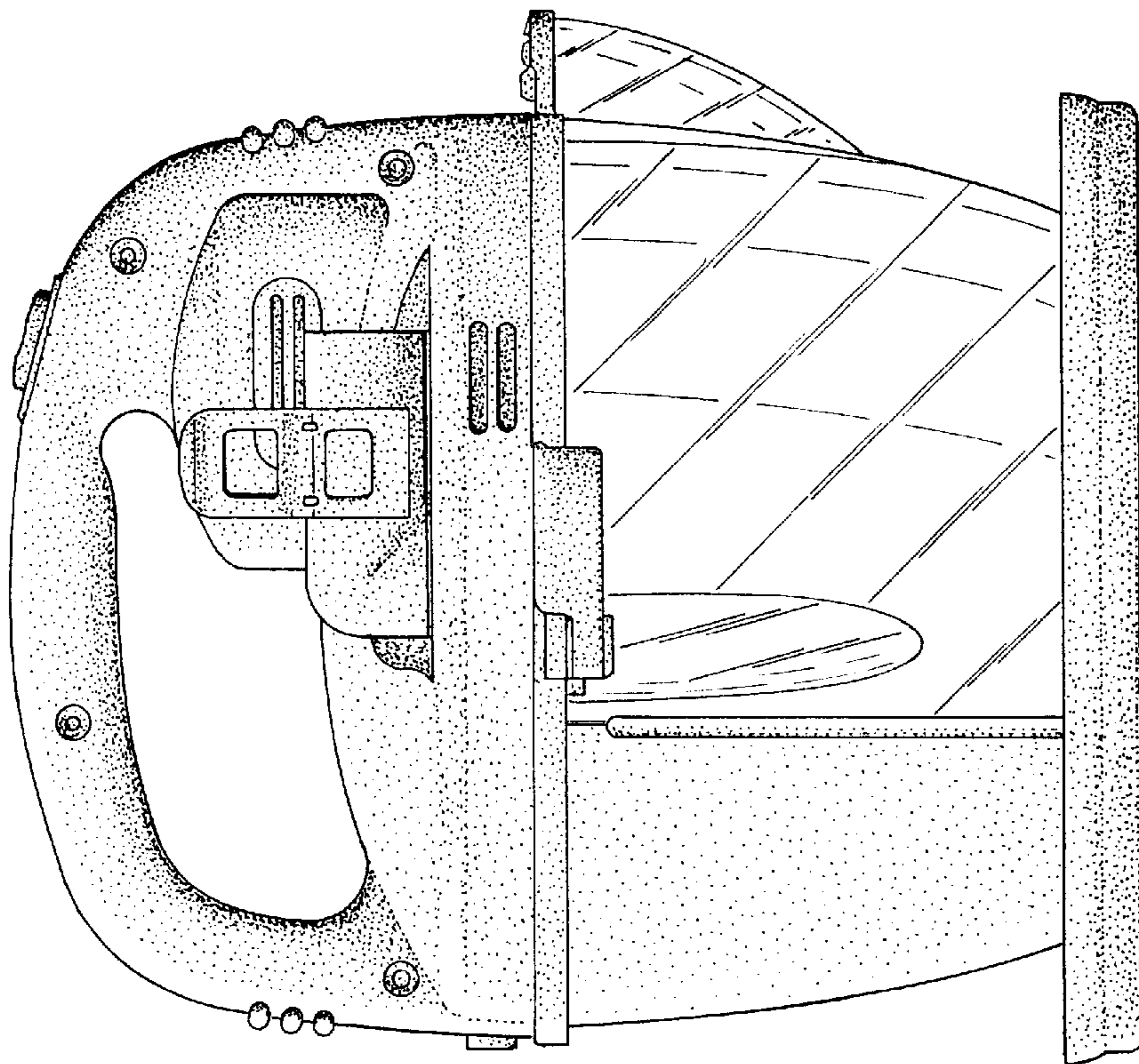


FIG. -3

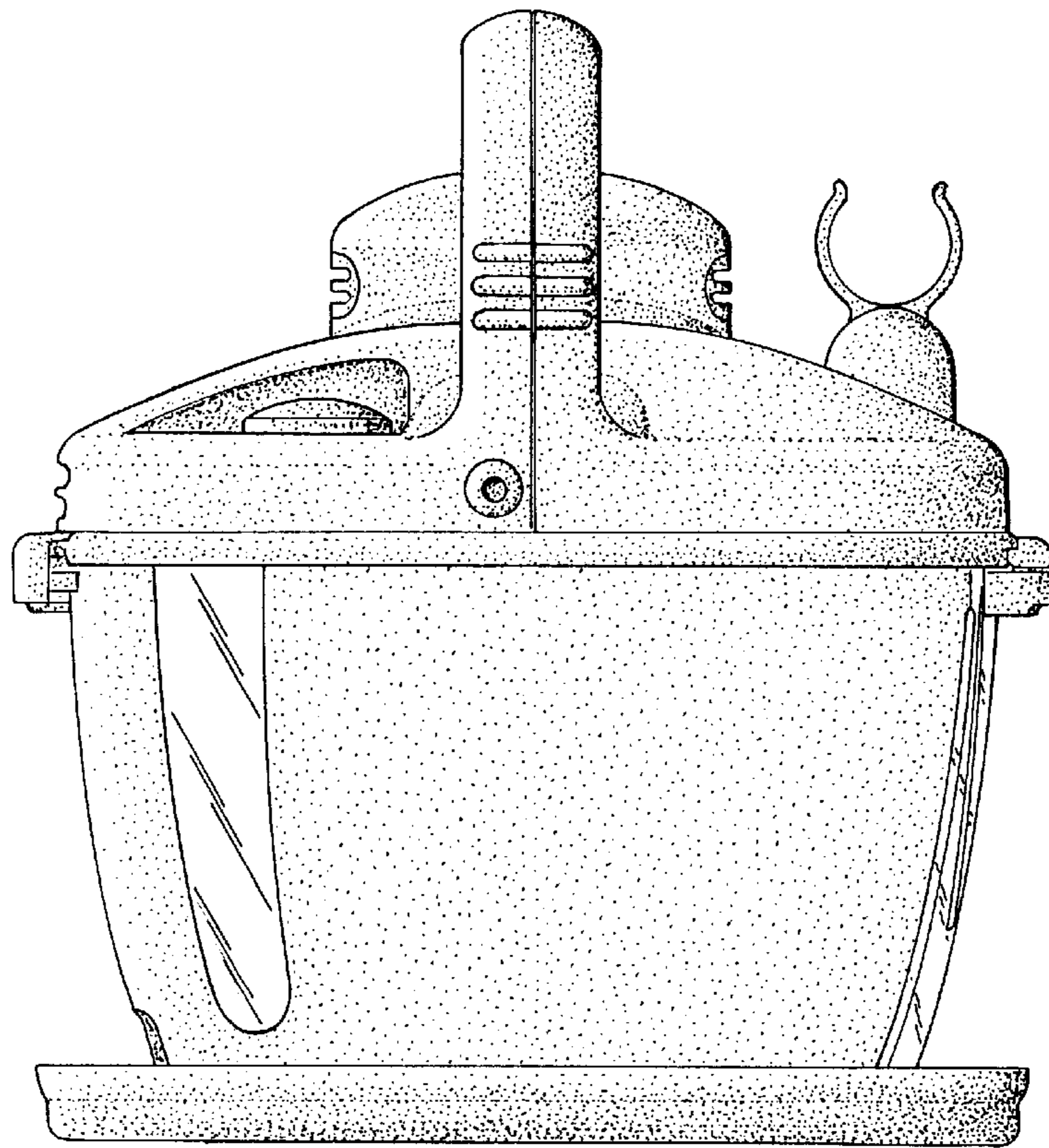


FIG. - 5

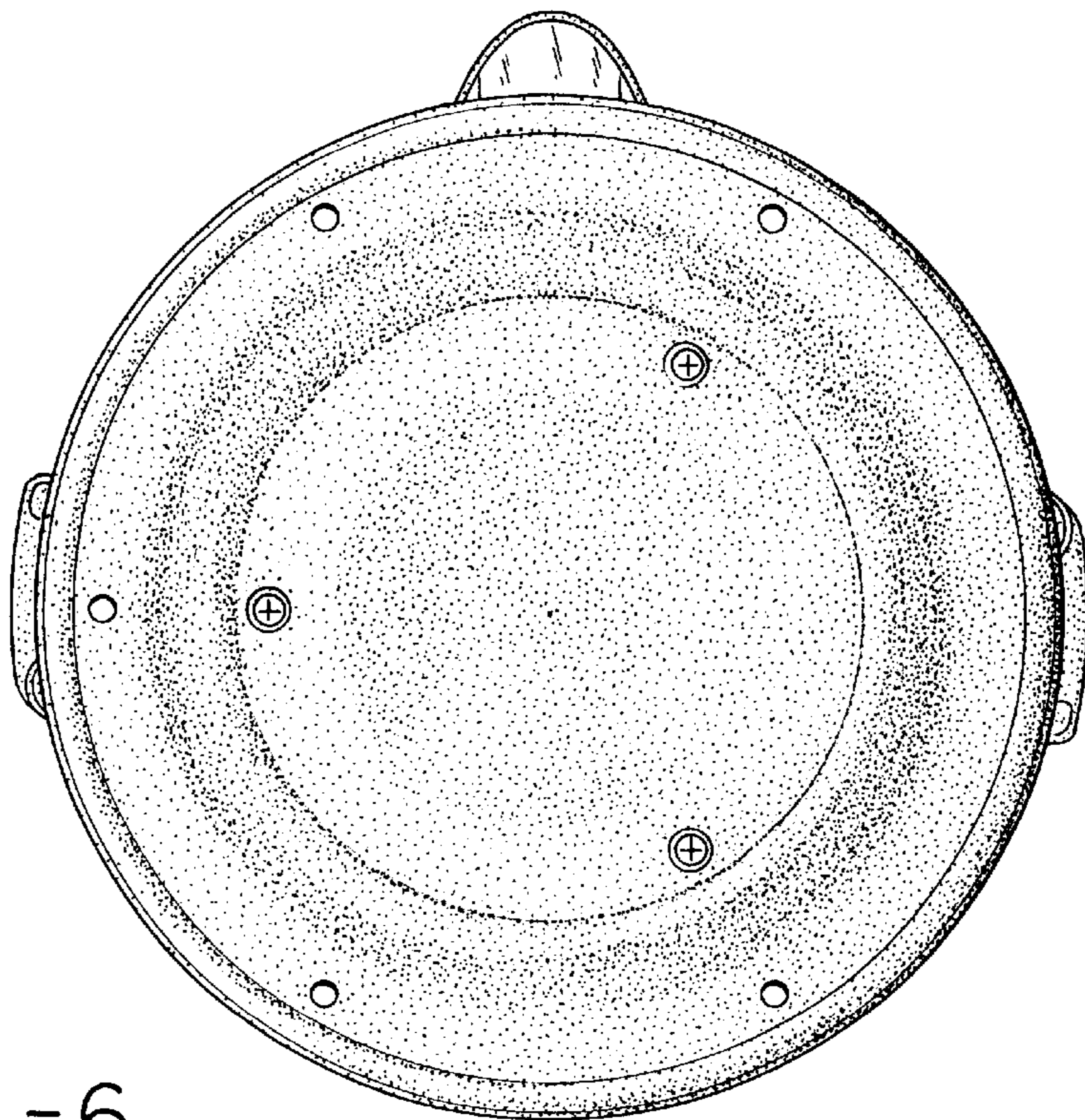


FIG. - 6