



US00D398097S

United States Patent [19]

Murphy et al.

[11] Patent Number: **Des. 398,097**

[45] Date of Patent: ****Sep. 8, 1998**

[54] UPRIGHT VACUUM CLEANER

[75] Inventors: **John S. Murphy**, Brook Park; **Robert Matousek**, Lakewood; **Richard C. Farone**, Wickliffe; **David M. Brickner**, Willoughby; **Jeffrey M. Kalman**, Cleveland; **Craig M. Saunders**, Rocky River; **Michael F. Wright**, Stow, all of Ohio

[73] Assignee: **Royal Appliance Mfg. Co.**, Cleveland, Ohio

[**] Term: **14 Years**

[21] Appl. No.: **64,809**

[22] Filed: **Jan. 10, 1997**

[51] LOC (6) Cl. **15-05**

[52] U.S. Cl. **D32/22**

[58] Field of Search D32/21, 22, 31-34;
15/320-322, 329, 335, 347, 350-353, 410,
412, 414

[56] References Cited

U.S. PATENT DOCUMENTS

D. 185,788	8/1959	Shalvoy et al.	D32/22
D. 259,388	6/1981	Merloni	D32/19
D. 296,487	6/1988	Burns et al.	D32/22
D. 309,204	7/1990	Sovis et al.	D32/22
D. 312,337	11/1990	Jones et al.	D32/22
D. 380,882	7/1997	Rorke et al.	D32/22
3,032,799	5/1962	Smith	D32/22

Primary Examiner—Ruth McInroy

Attorney, Agent, or Firm—Fay Sharpe Beall Fagan Minnich & McKee

[57] CLAIM

The ornamental design for an upright vacuum cleaner, as shown and described.

DESCRIPTION

FIG. 1 is perspective view of a first embodiment of an upright vacuum cleaner showing our new design;
 FIG. 2 is a front elevational view of the vacuum cleaner of FIG. 1;
 FIG. 3 is a right side elevational view of the vacuum cleaner of FIG. 1;
 FIG. 4 is a left side elevational view of the vacuum cleaner of FIG. 1;
 FIG. 5 is a rear elevational view of the vacuum cleaner of FIG. 1;
 FIG. 6 is a top plan view of the vacuum cleaner of FIG. 1;
 FIG. 7 is a bottom plan view of vacuum cleaner of FIG. 1;
 FIG. 8 is perspective view of second embodiment of an upright vacuum cleaner showing our new design;
 FIG. 9 is a front elevational view of the vacuum cleaner of FIG. 8;
 FIG. 10 is a right side elevational view of the vacuum cleaner of FIG. 8;
 FIG. 11 is a left side elevational view of vacuum cleaner of FIG. 8;
 FIG. 12 is rear elevational view of the vacuum cleaner of FIG. 8;
 FIG. 13 is a top plan view of the vacuum cleaner of FIG. 8; and,
 FIG. 14 is a bottom plan view of the vacuum cleaner of FIG. 8.

1 Claim, 12 Drawing Sheets

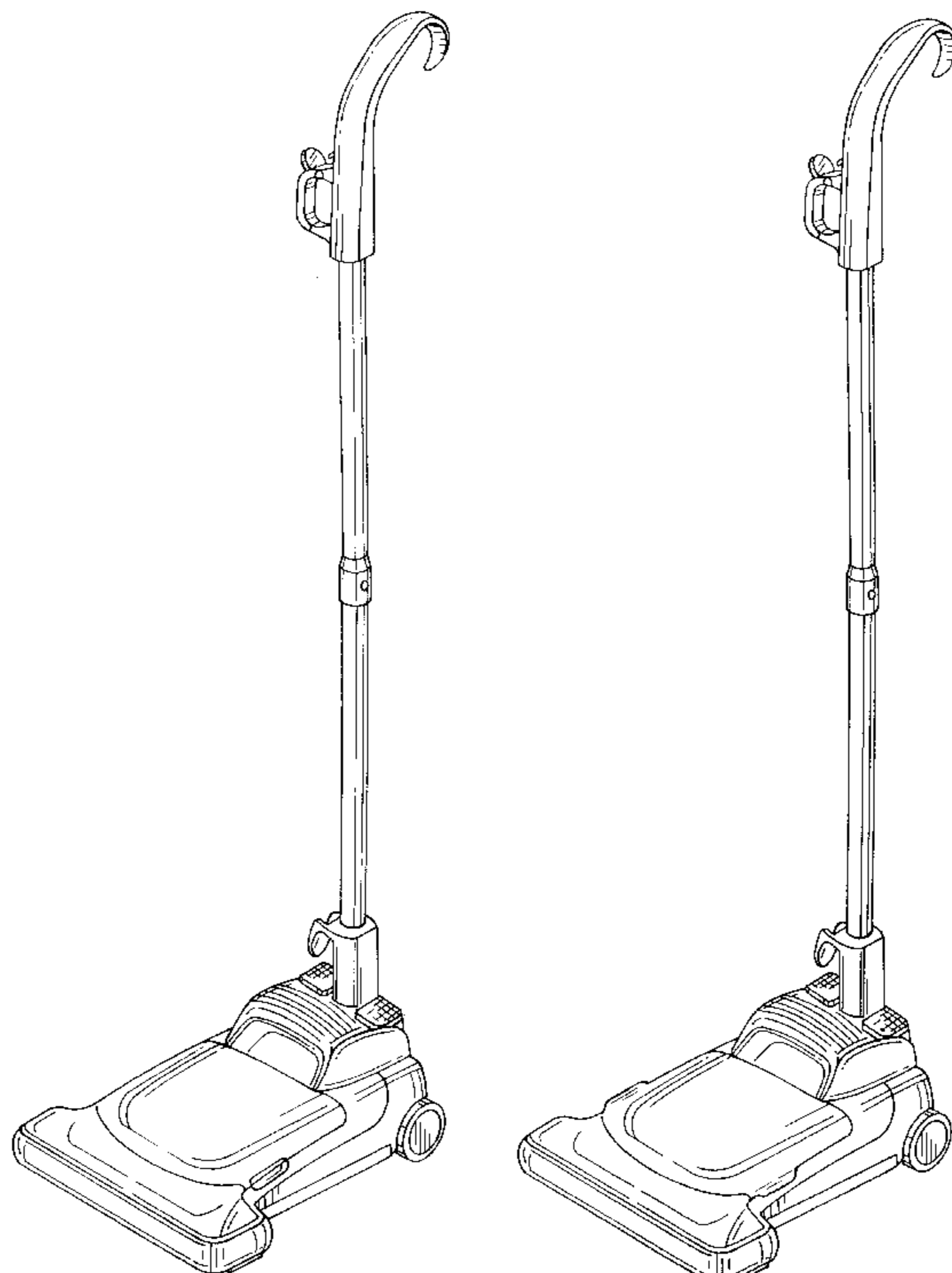


FIG. 1

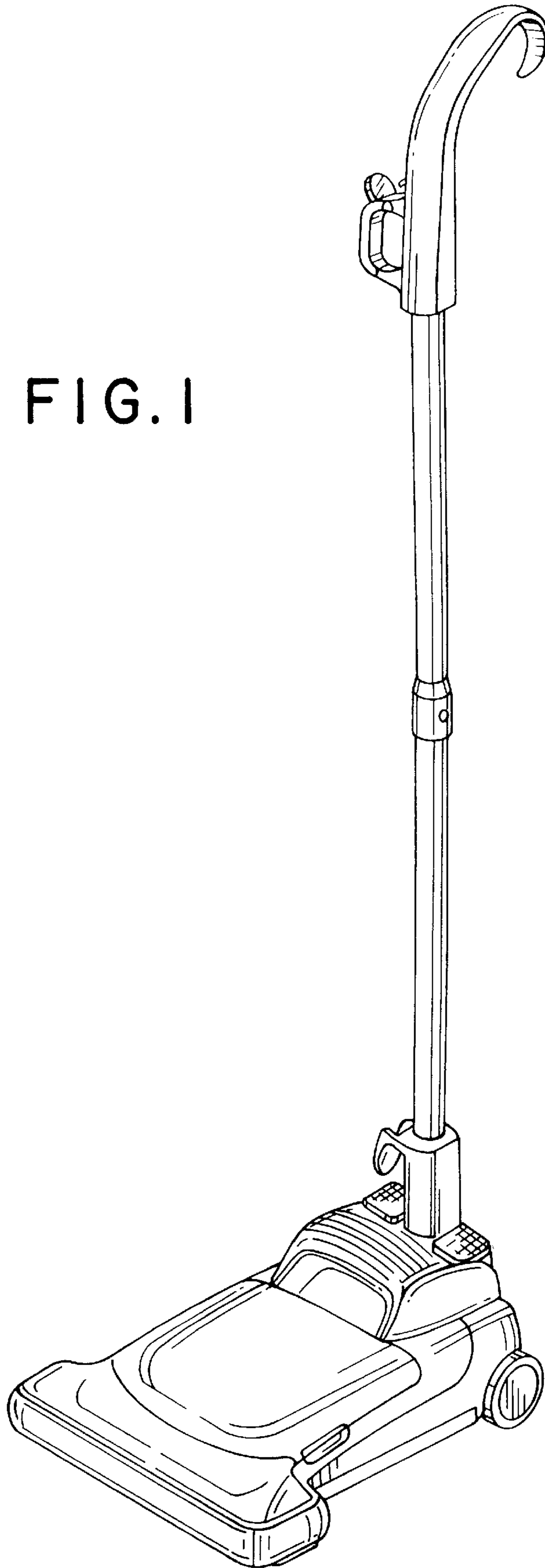
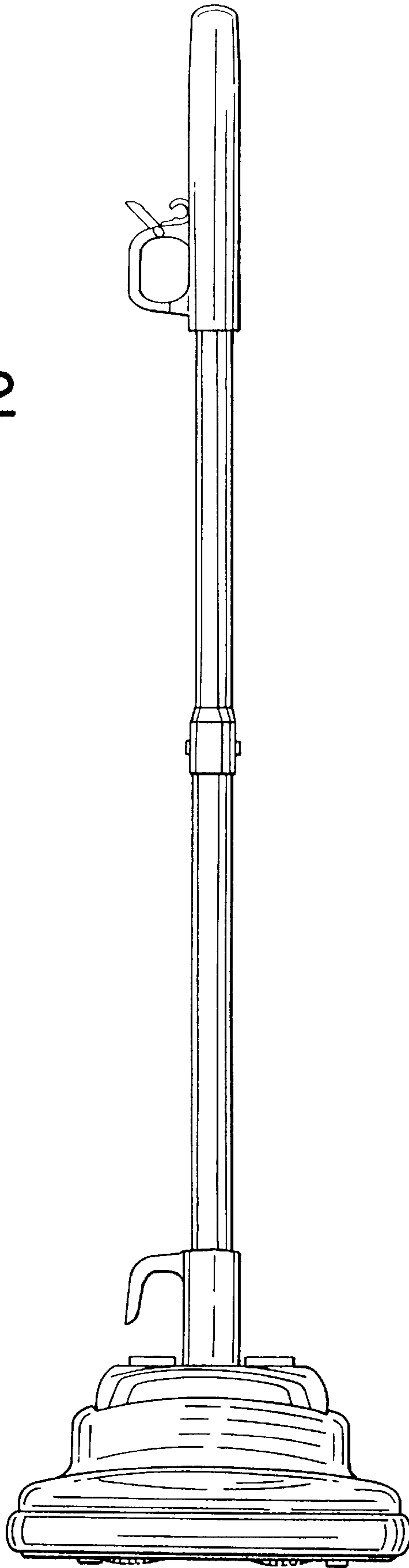


FIG. 2



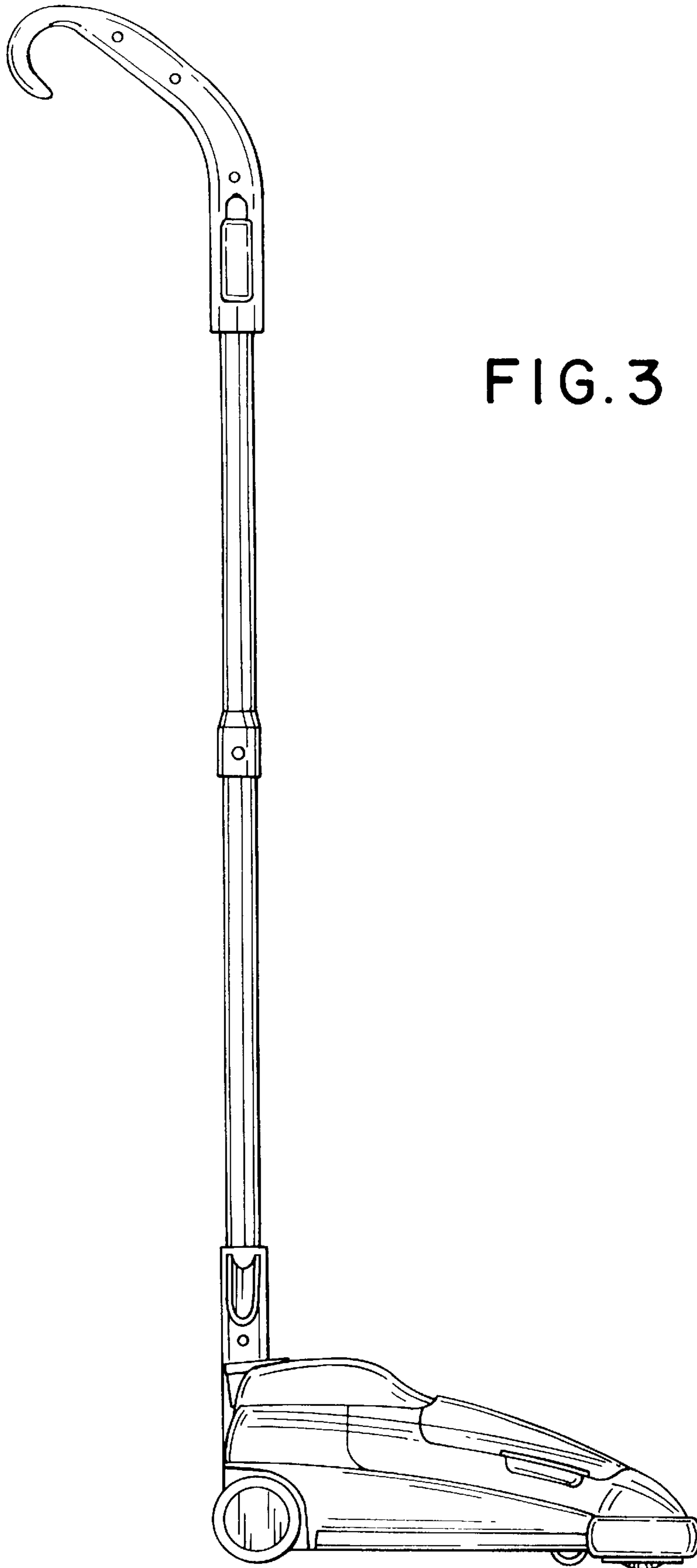


FIG. 3

FIG. 4

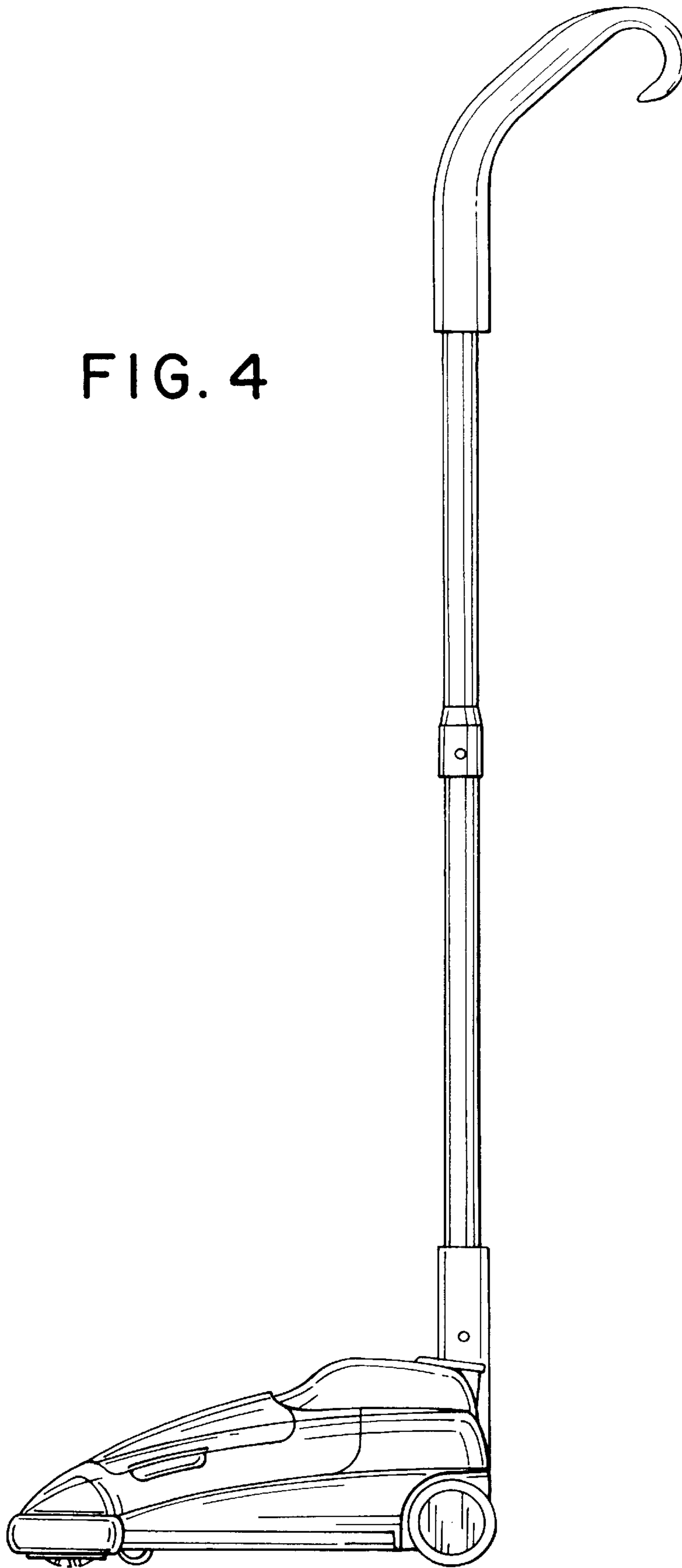
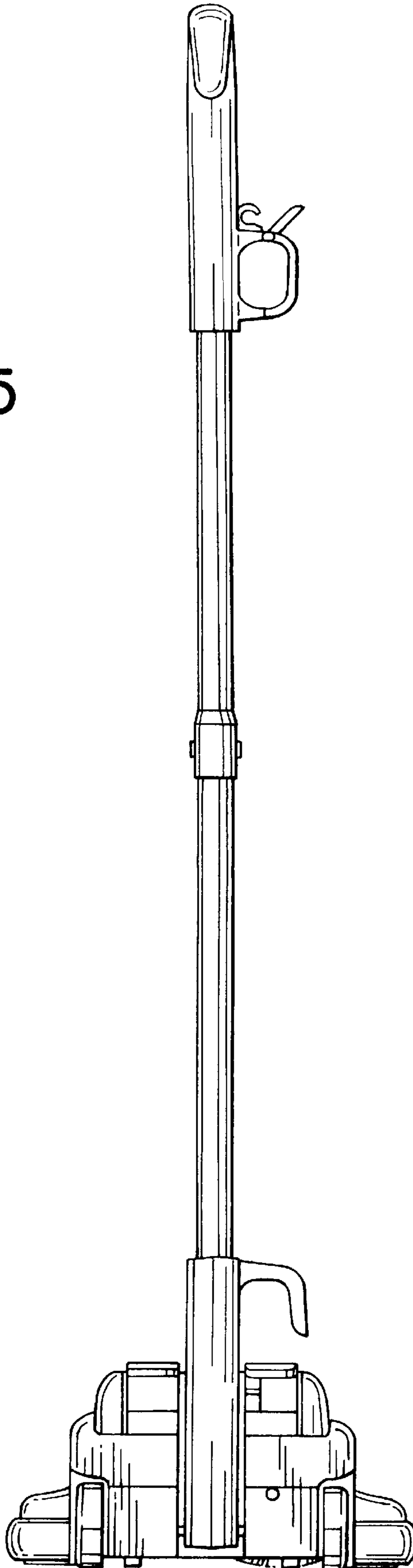


FIG. 5



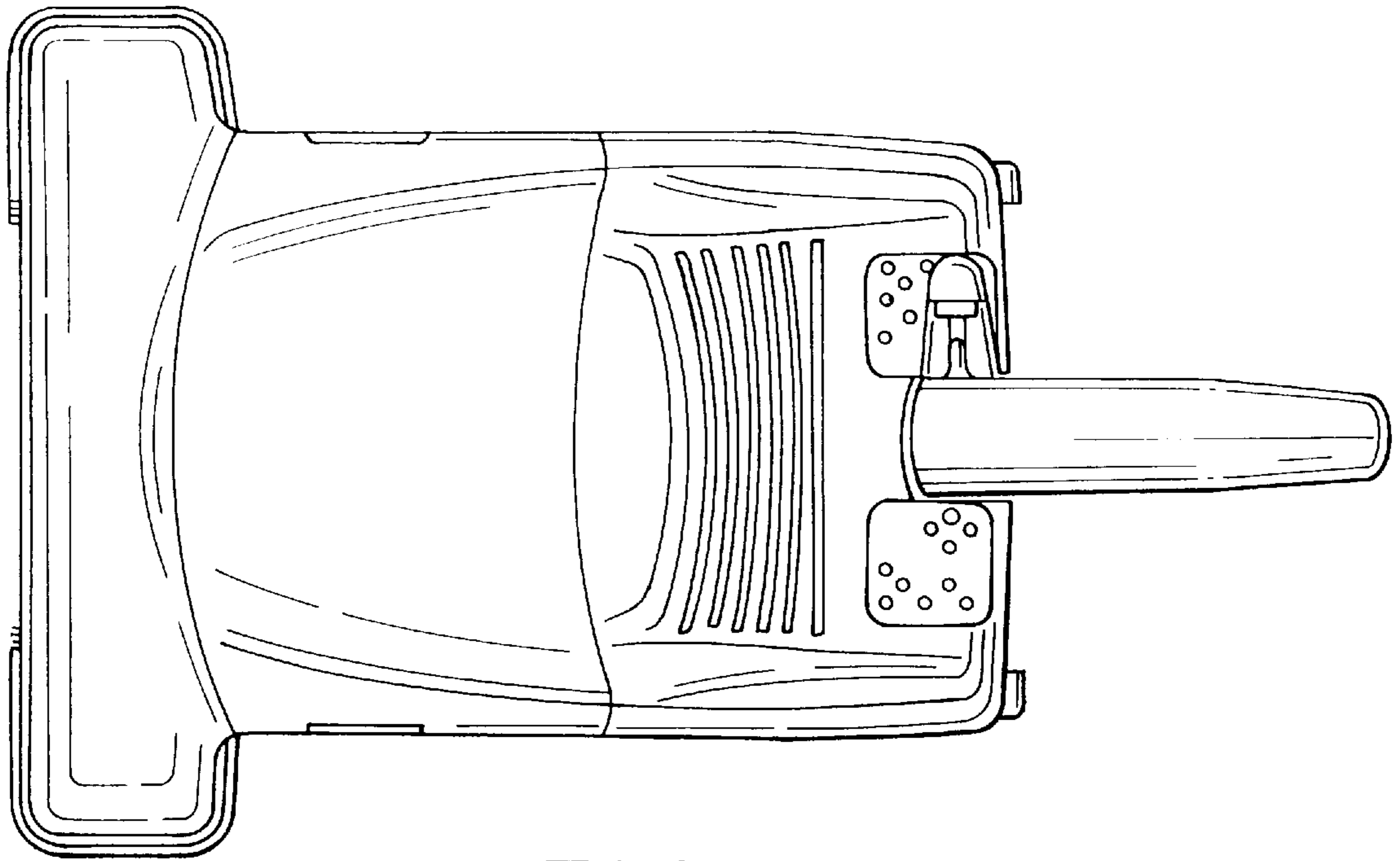


FIG. 6

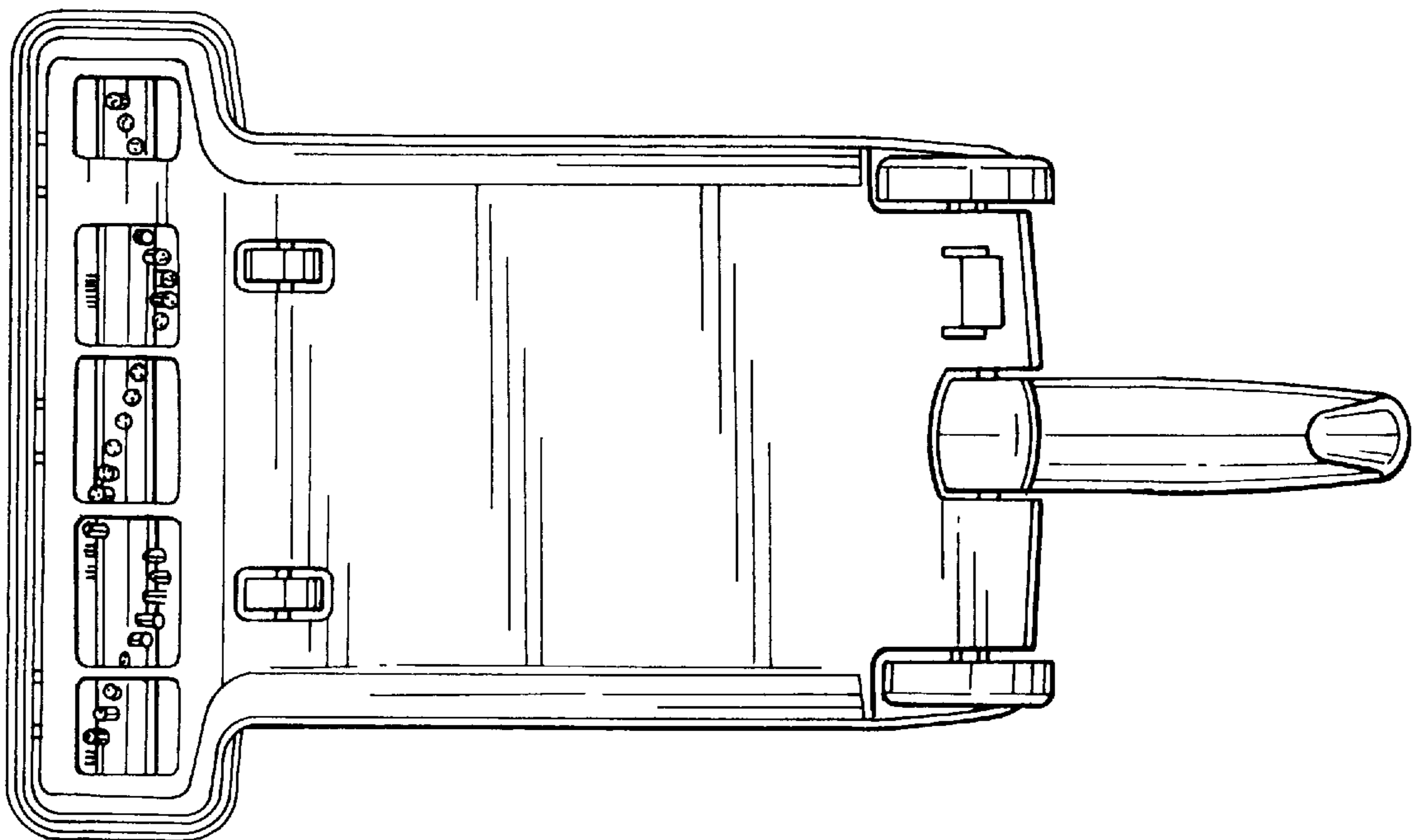


FIG. 7

FIG. 8

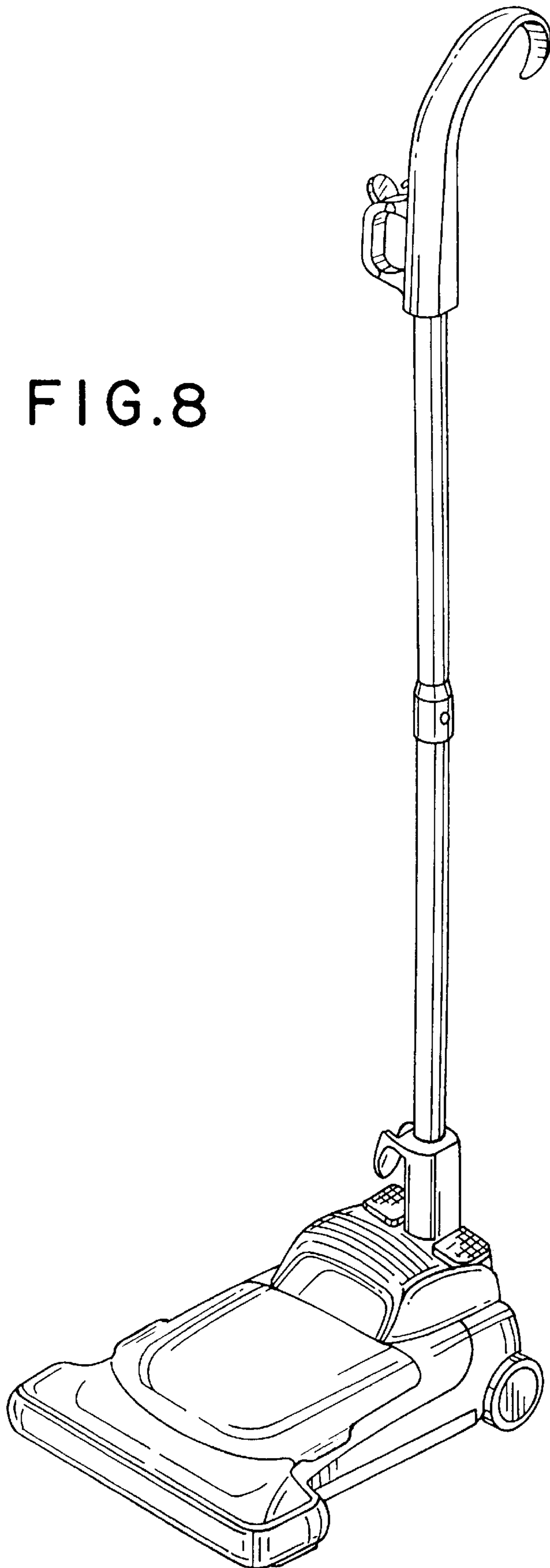
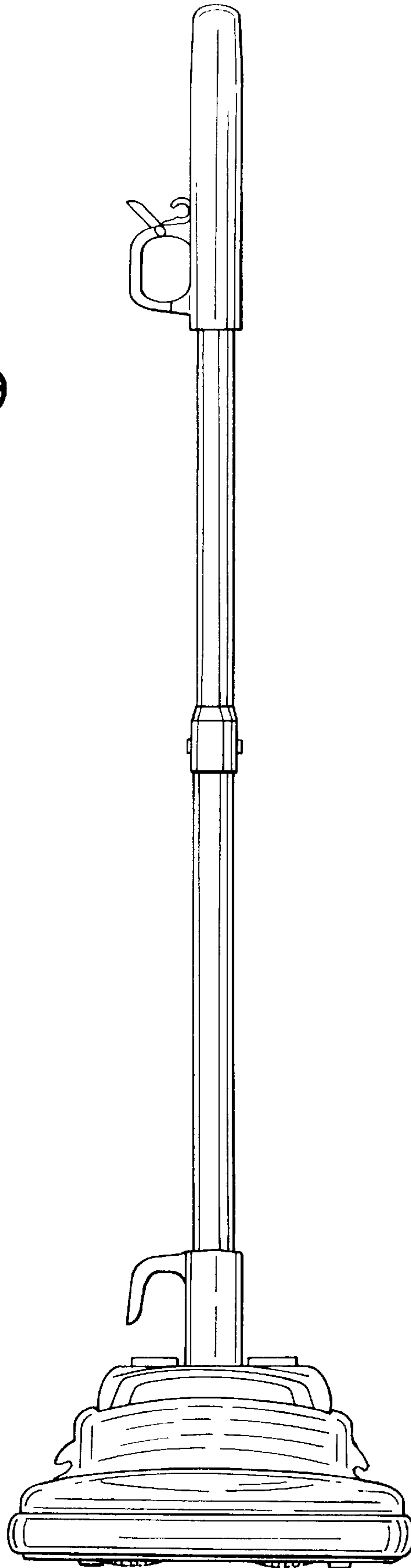


FIG. 9



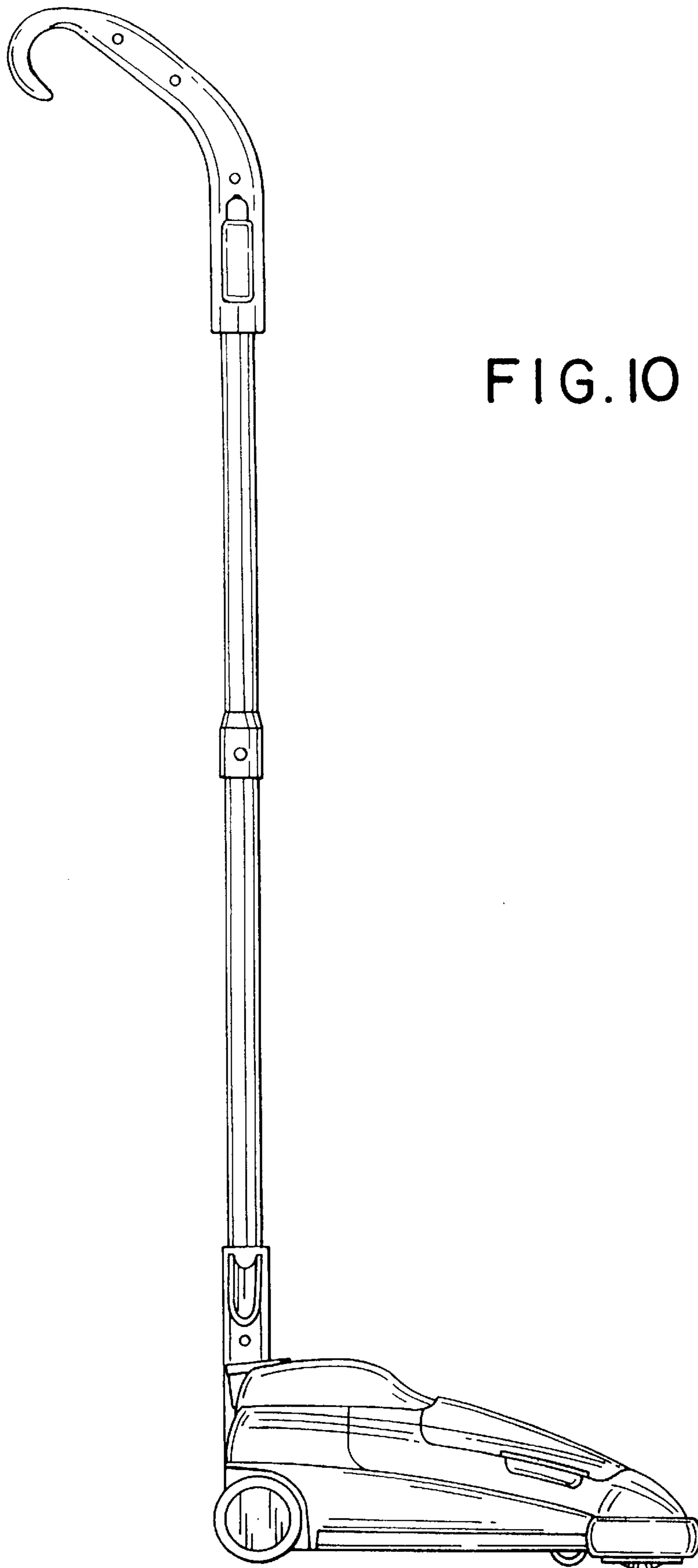


FIG. 10

FIG. II

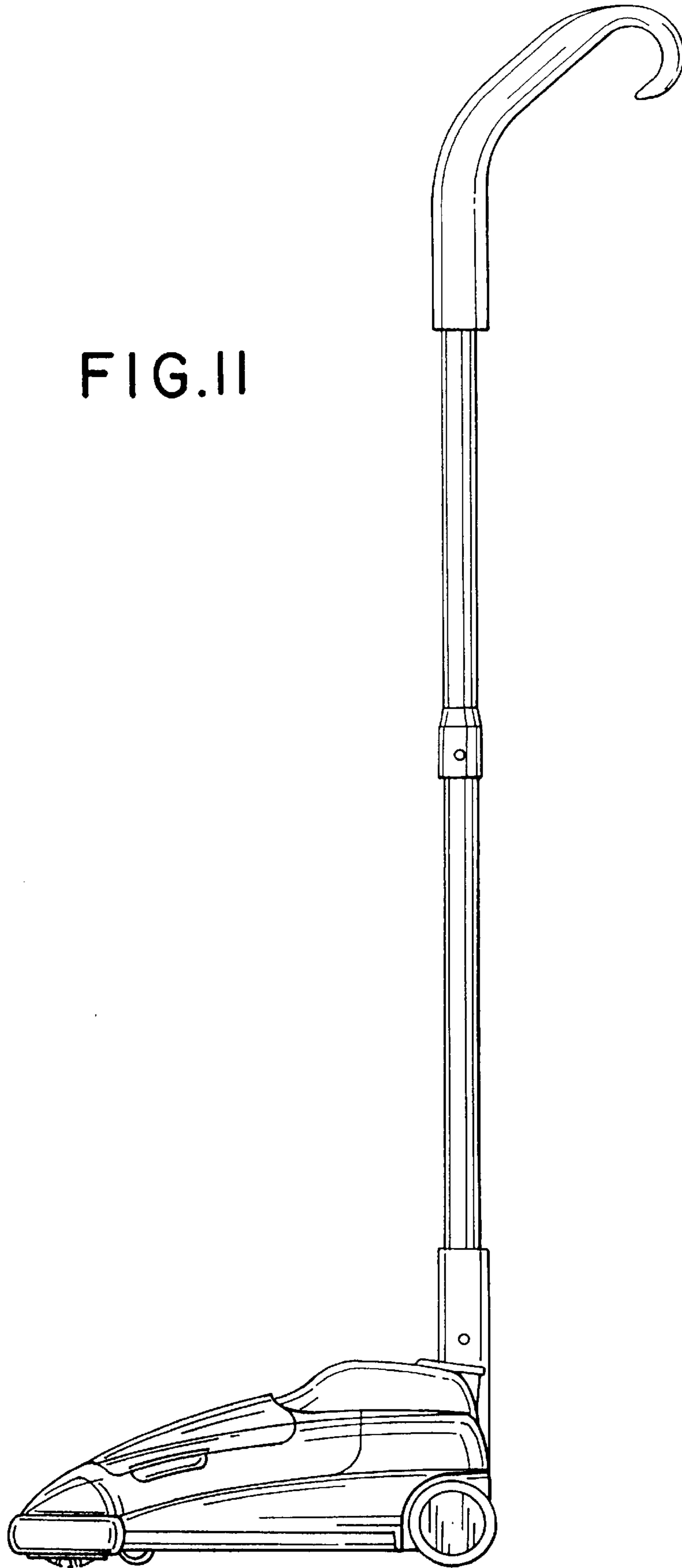
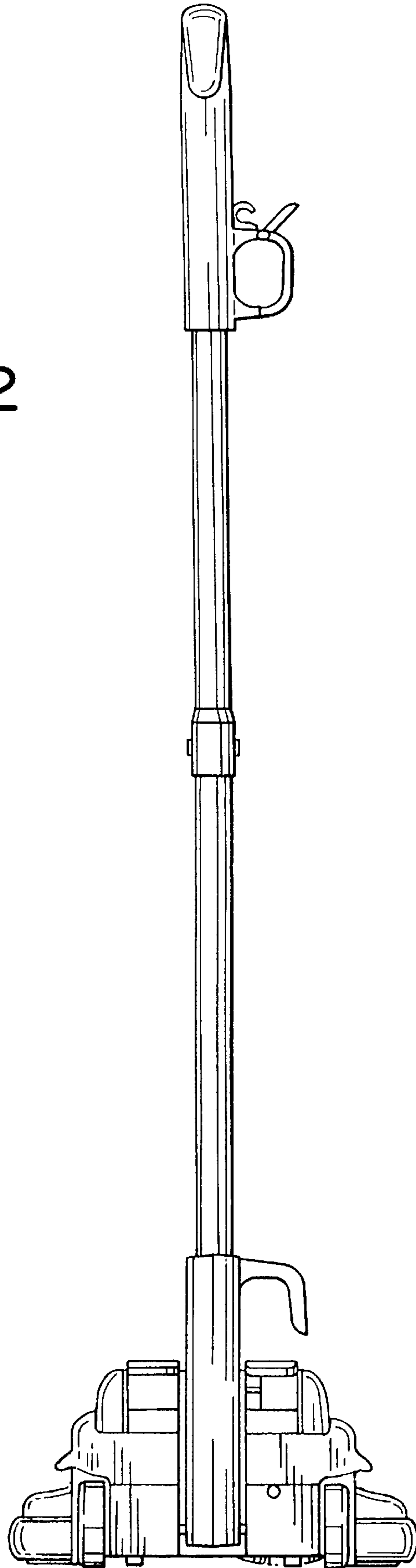


FIG. 12



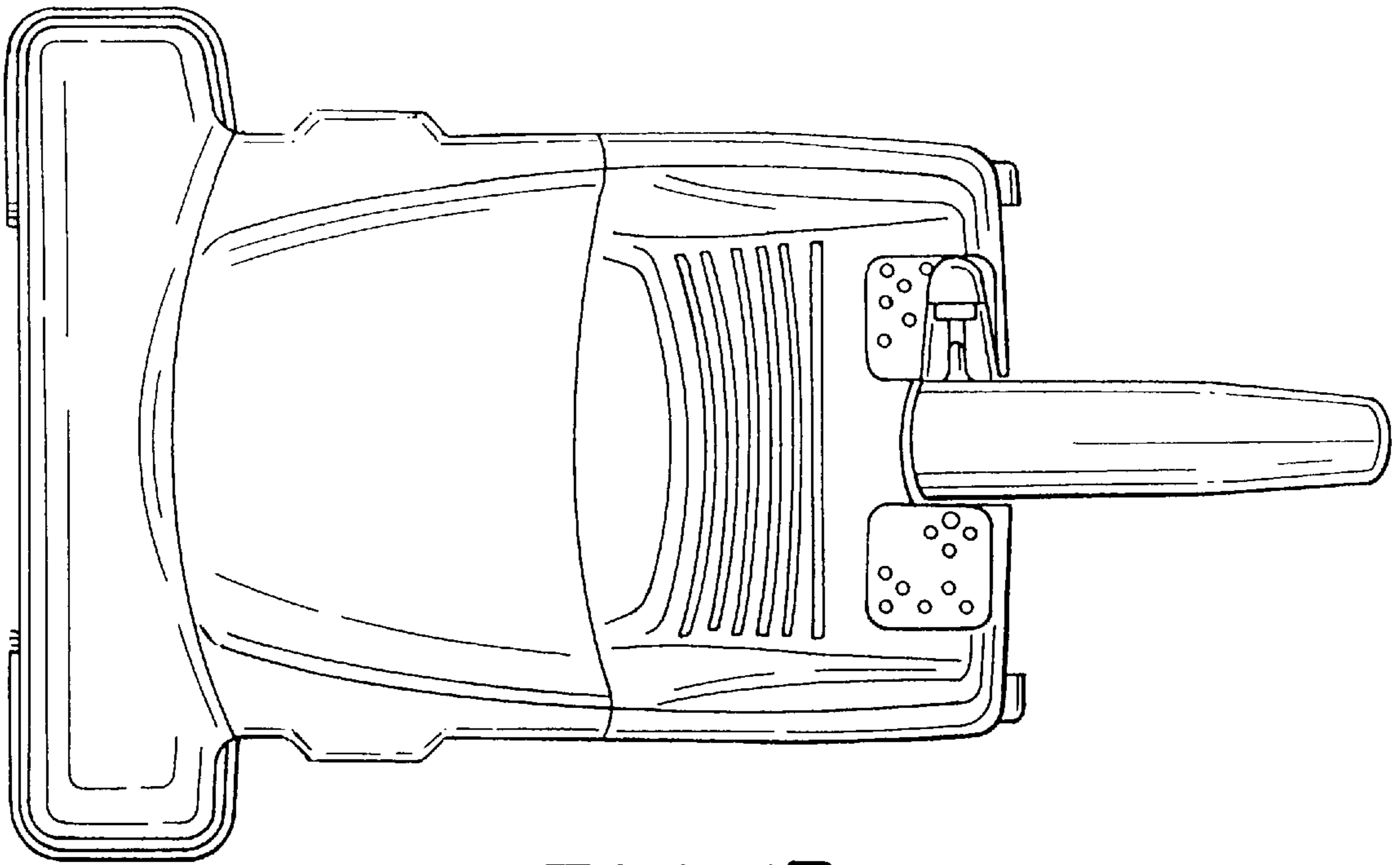


FIG. 13

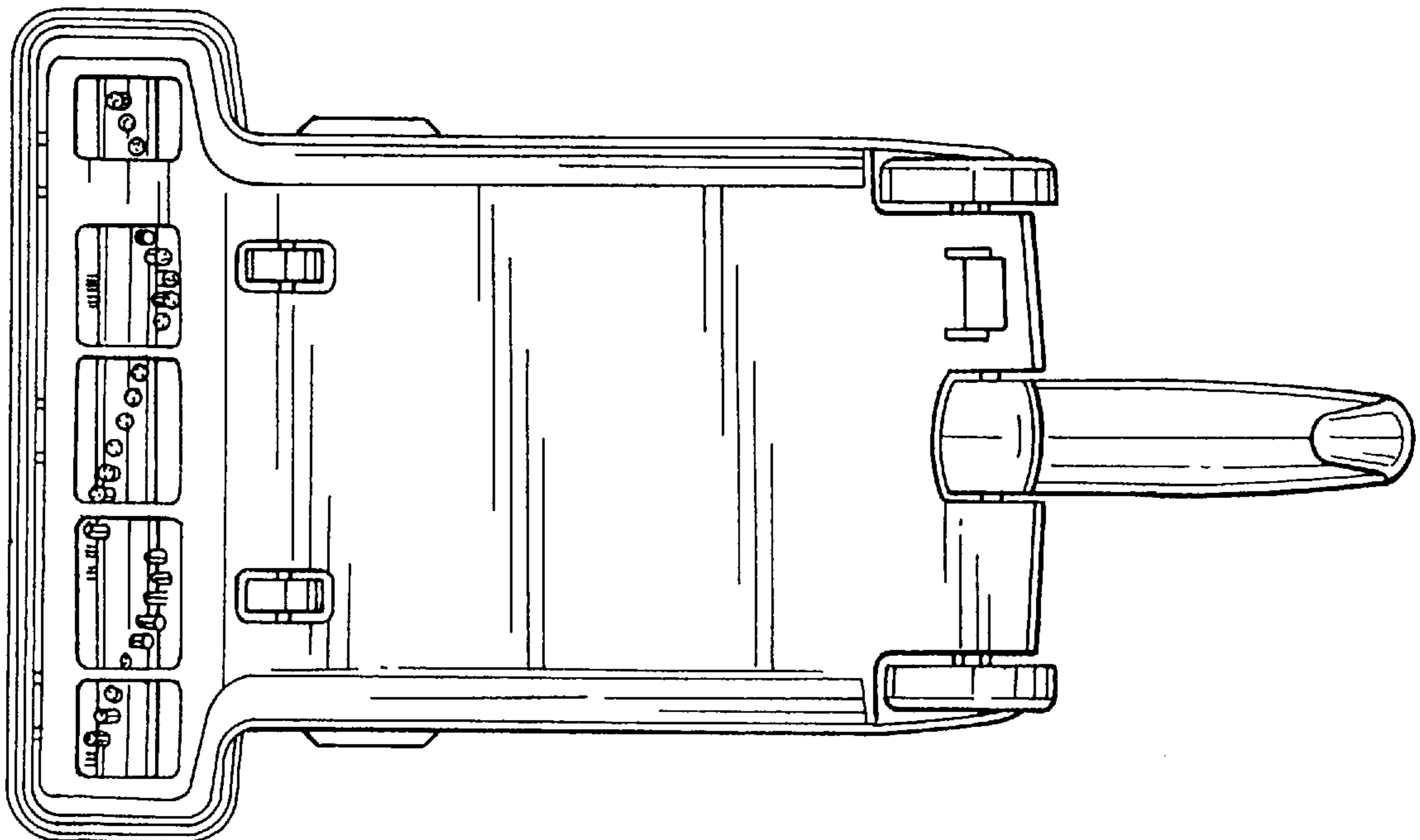


FIG. 14