



US00D398090S

United States Patent [19]

Busby, Sr.

[11] **Patent Number:** **Des. 398,090**

[45] **Date of Patent:** ****Sep. 8, 1998**

[54] **DISHWASHER NET**

[76] Inventor: **Carl R. Busby, Sr.**, P.O. Box 920540,
Houston, Tex. 77292

[**] Term: **14 Years**

[21] Appl. No.: **55,366**

[22] Filed: **Jun. 4, 1996**

[51] **LOC (6) Cl.** **15-05**

[52] **U.S. Cl.** **D32/3**

[58] **Field of Search** D32/3, 25; 211/41,
211/181, 89; 248/499; D5/11, 12

[56] **References Cited**

U.S. PATENT DOCUMENTS

- D. 188,291 6/1960 Weiss D32/3
- D. 362,520 9/1995 Lunsford D32/3
- D. 368,340 3/1996 Mussmacher et al. D32/3

- 4,832,206 5/1989 Cunningham 211/41
- 5,114,019 5/1992 Sandbank 211/41
- 5,121,843 6/1992 Elder 211/41

Primary Examiner—Sandra L. Morris
Assistant Examiner—Mitchell I. Siegel
Attorney, Agent, or Firm—Harold H. Dutton, Jr.

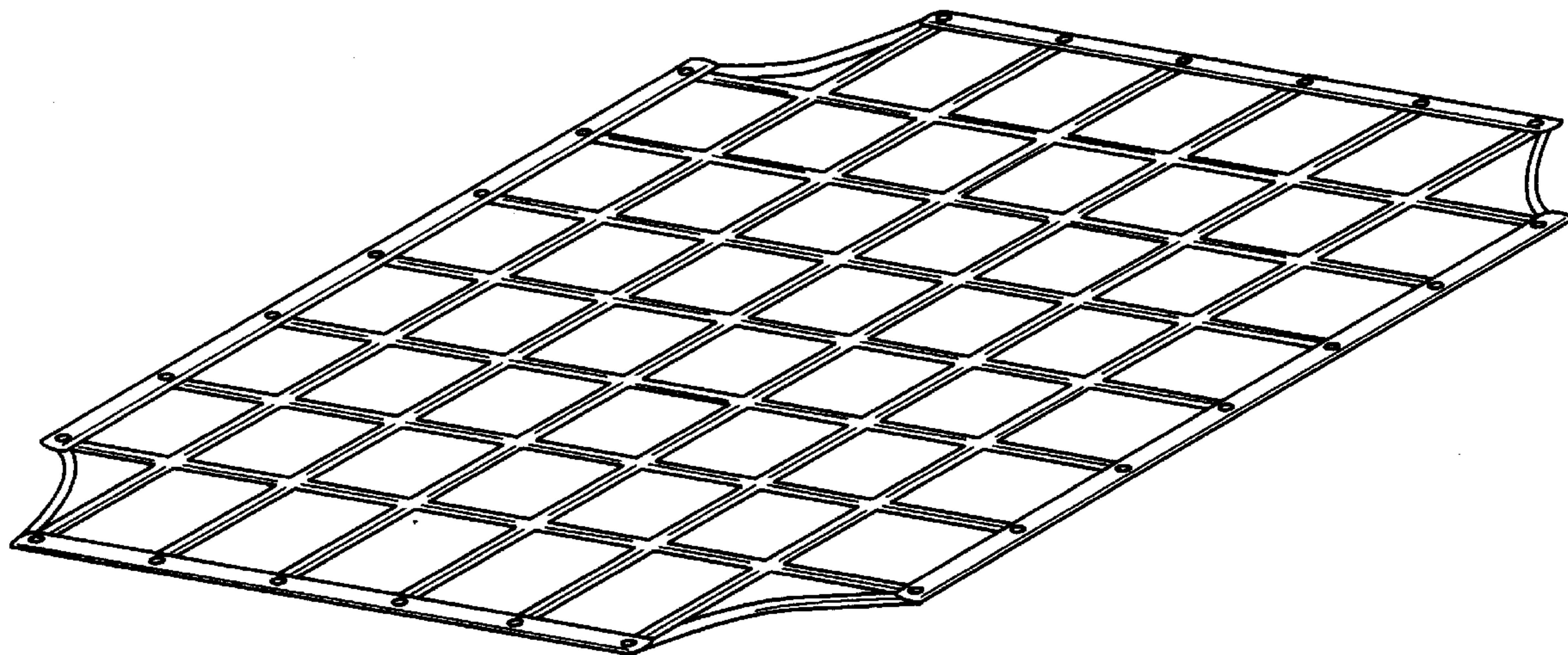
[57] **CLAIM**

The ornamental design for a dishwasher net, as shown and described.

DESCRIPTION

FIG. 1 is a top perspective view of a dishwasher net showing my new design;
FIG. 2 is a front view thereof;
The rear view is a mirror image thereof; and,
FIG. 3 is a right side view thereof; and
The left side is a mirror image thereof.

1 Claim, 2 Drawing Sheets



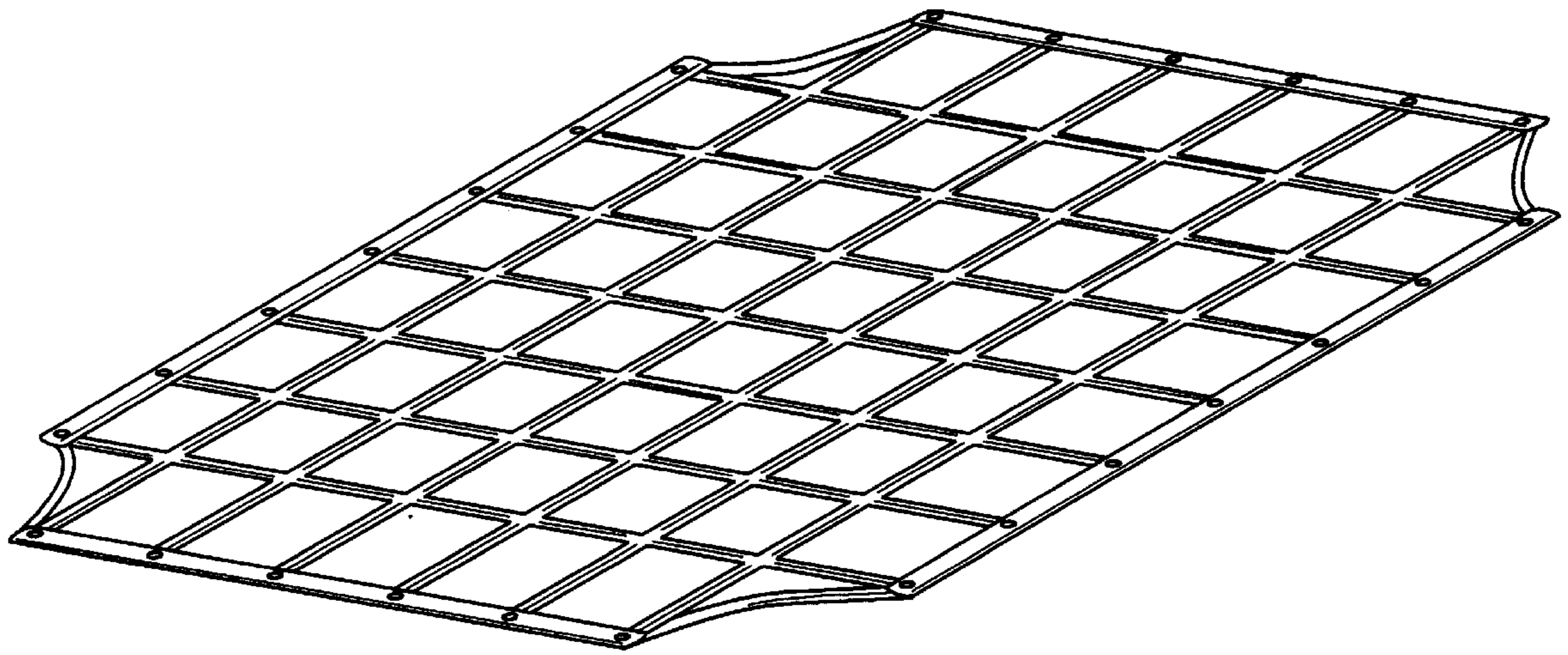


FIG. 1

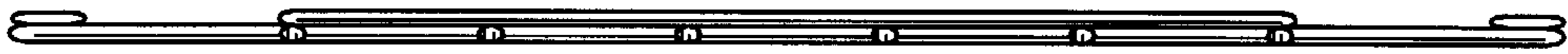


FIG. 2



FIG. 3