



US00D398089S

# United States Patent [19] Reed

[11] **Patent Number: Des. 398,089**

[45] **Date of Patent: \*\*Sep. 8, 1998**

[54] **CAT BOX**

[76] Inventor: **Janie Reed**, 9572 Heisey Rd.,  
Mercersburg, Pa. 17236

[\*\*] Term: **14 Years**

[21] Appl. No.: **75,095**

[22] Filed: **Aug. 14, 1997**

[51] **LOC (6) Cl. .... 30-99**

[52] **U.S. Cl. .... D30/161; D30/118**

[58] **Field of Search .... D30/108, 161;  
119/161-170**

[56] **References Cited**

**U.S. PATENT DOCUMENTS**

D. 273,718	5/1984	Dugan	.....	D30/161
D. 298,371	11/1988	Reynolds	.....	D30/161
D. 308,589	6/1990	Shay	.....	D30/161
D. 360,709	7/1995	Northrop et al.	.....	D30/108
D. 370,317	5/1996	Kohus	.....	D30/161
D. 373,663	9/1996	Walter	.....	D30/161

2,469,784	5/1949	Quinn	.....	119/161
3,771,493	11/1973	Chandor	.....	119/170
5,582,134	12/1996	Simmons	.....	119/166

*Primary Examiner*—Cathy Anne MacCormac

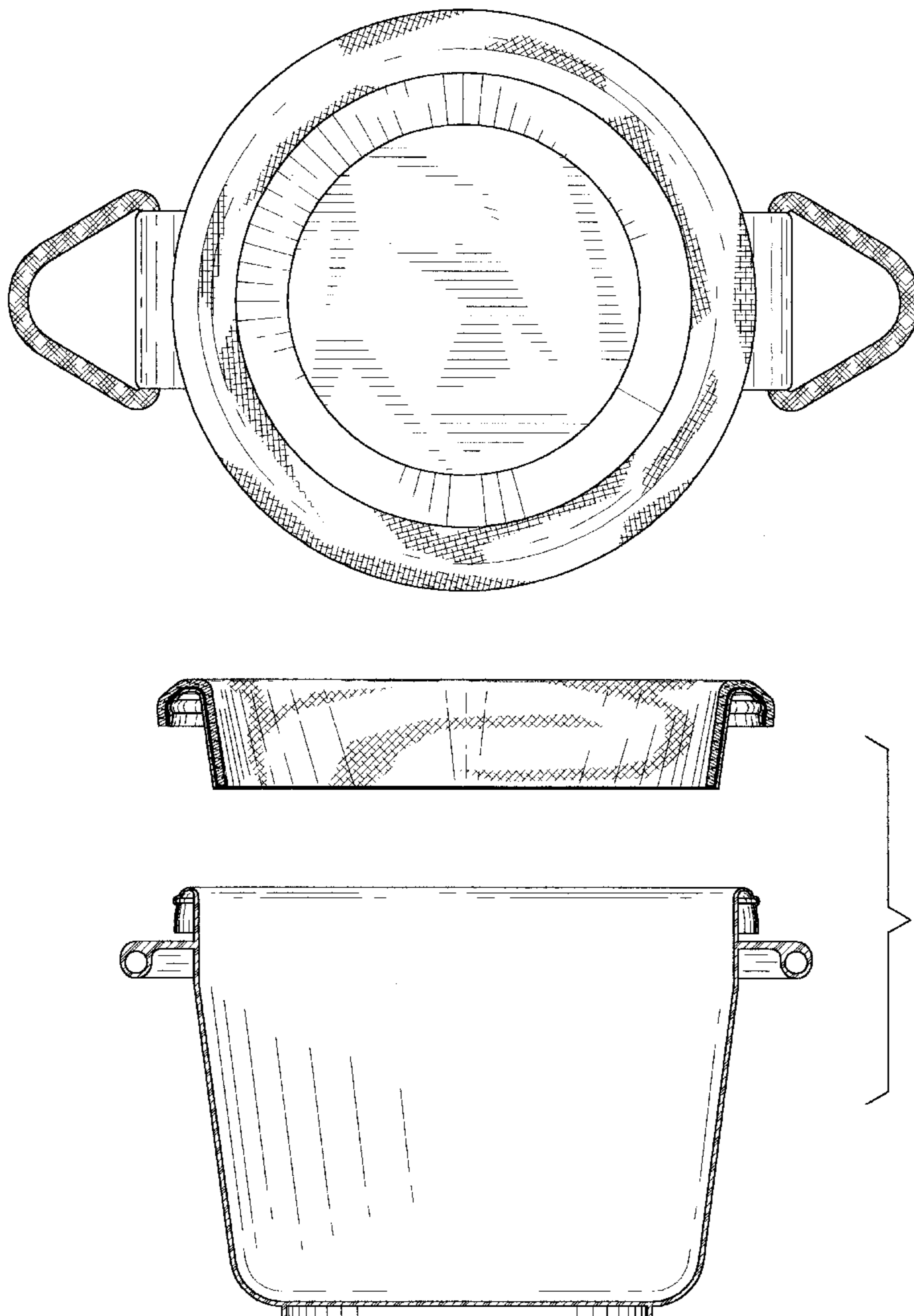
[57] **CLAIM**

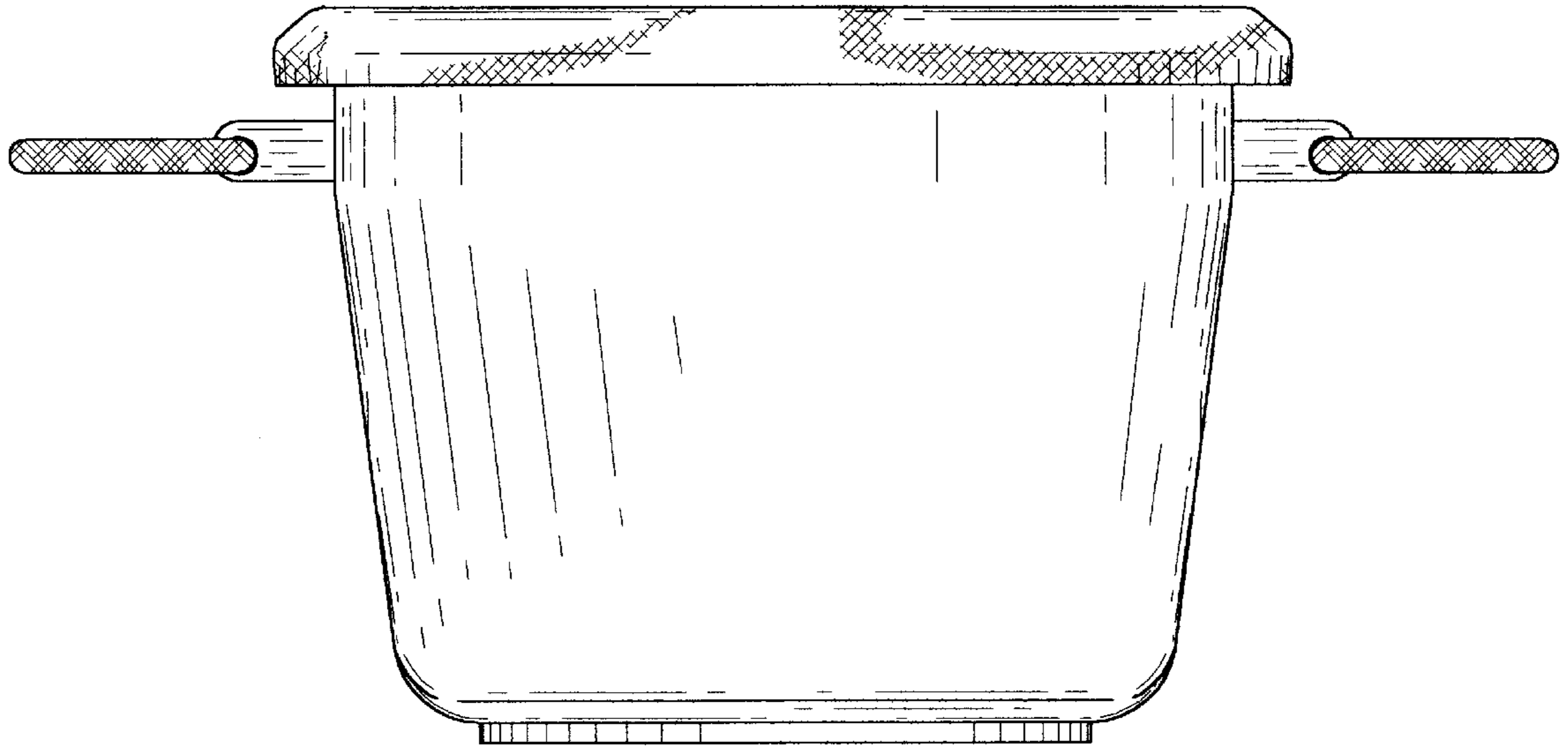
The ornamental design for a cat box, as shown.

**DESCRIPTION**

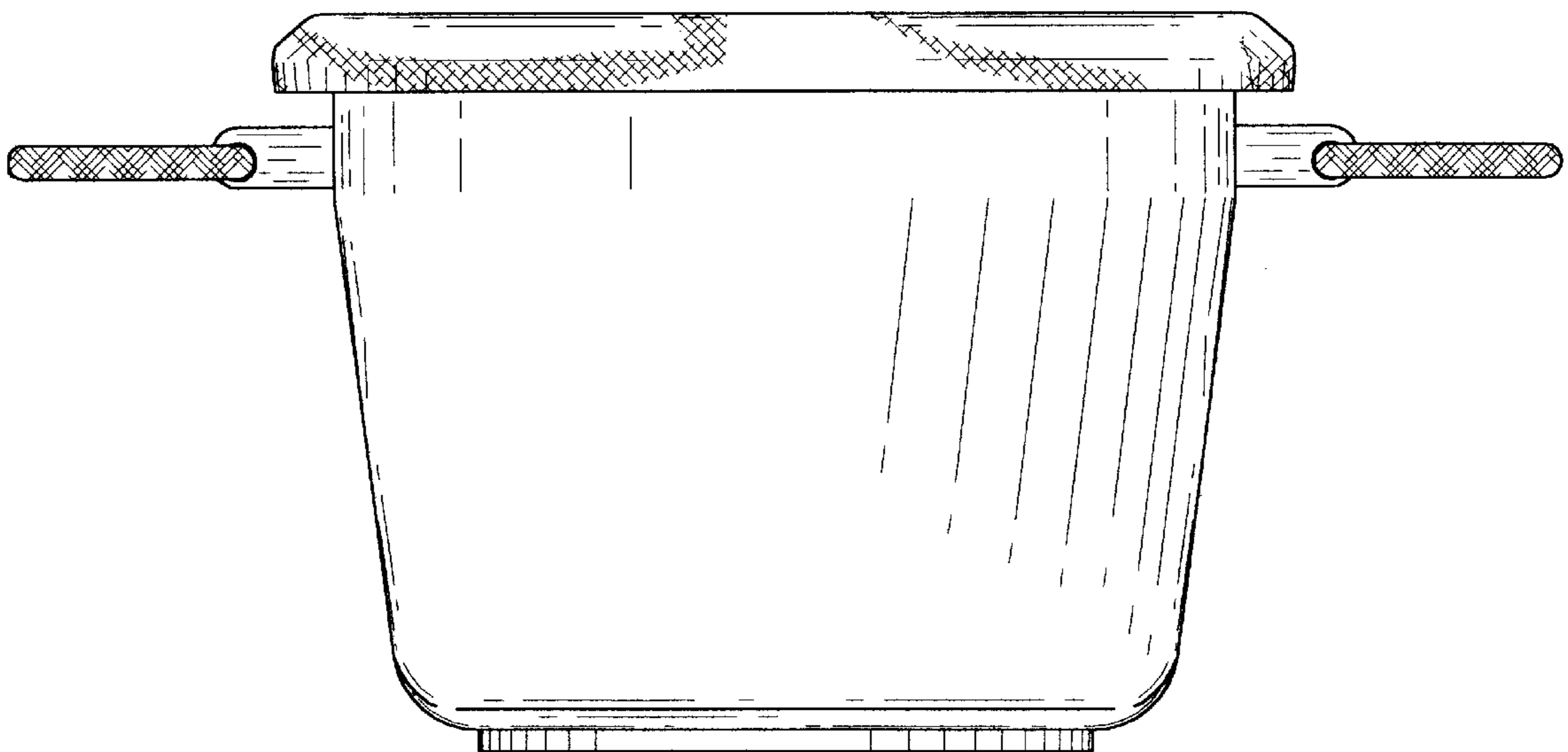
FIG. 1 is a front elevational view of the cat box of the present invention;  
 FIG. 2 is a back elevational view of the cat box of FIG. 1;  
 FIG. 3 is a left side elevational view of the cat box of FIG. 1;  
 FIG. 4 is a right side elevational view of the cat box of FIG. 1;  
 FIG. 5 is a top plan view of the cat box of FIG. 1;  
 FIG. 6 is a bottom plan view of the cat box of FIG. 1; and,  
 FIG. 7 is an exploded cross sectional view along line 7—7 of FIG. 3 of the cat box of FIG. 1.

**1 Claim, 4 Drawing Sheets**

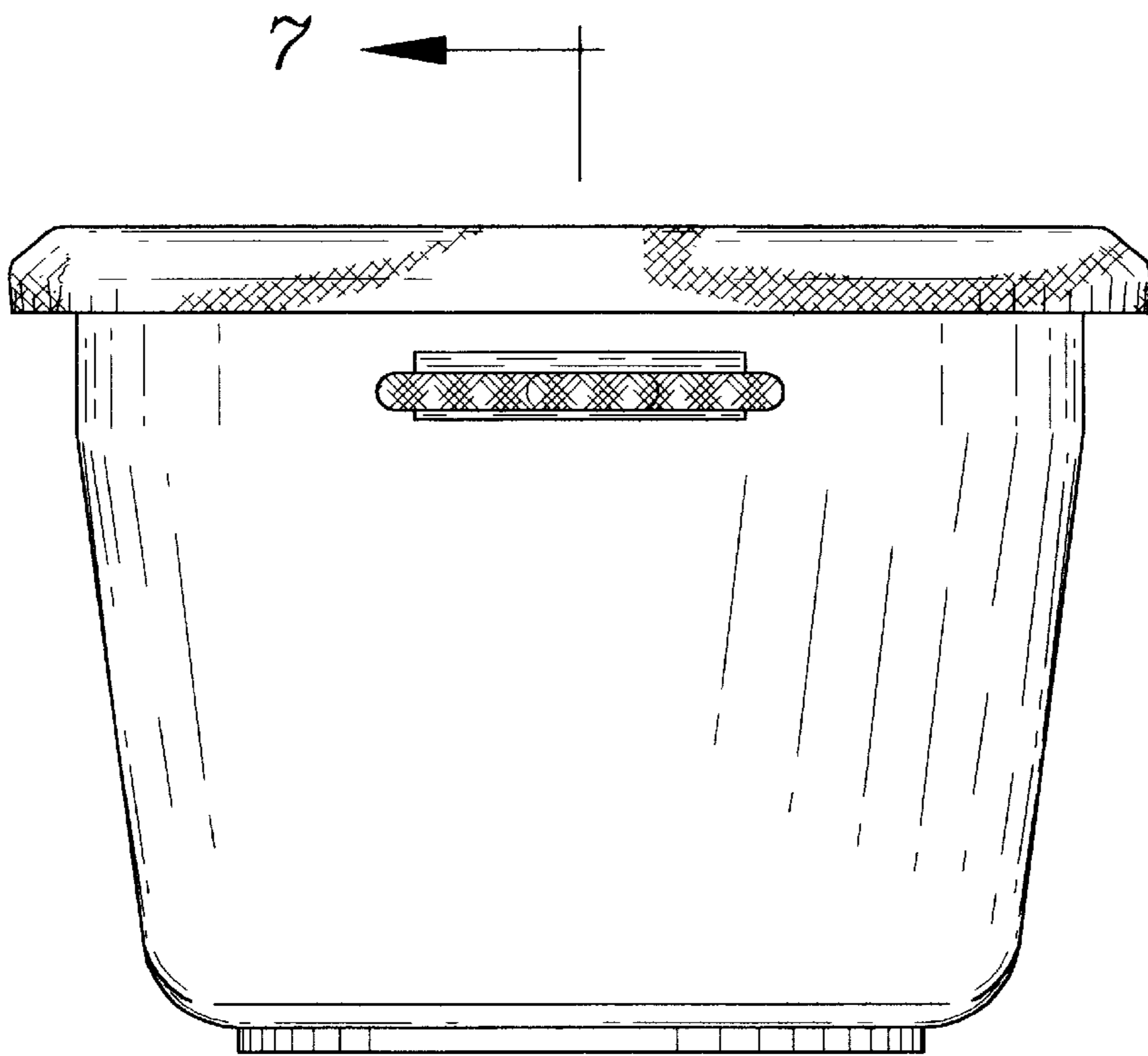




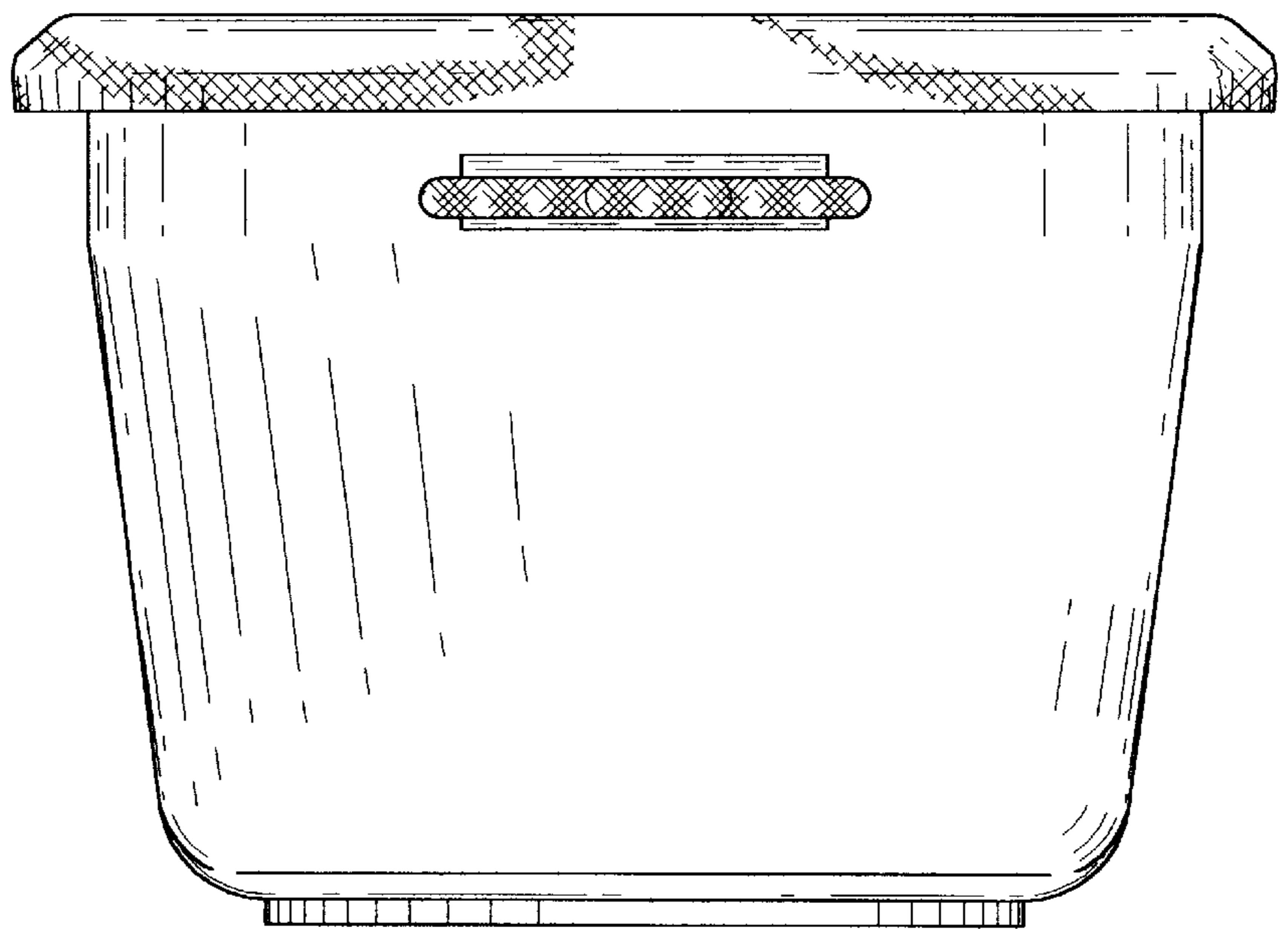
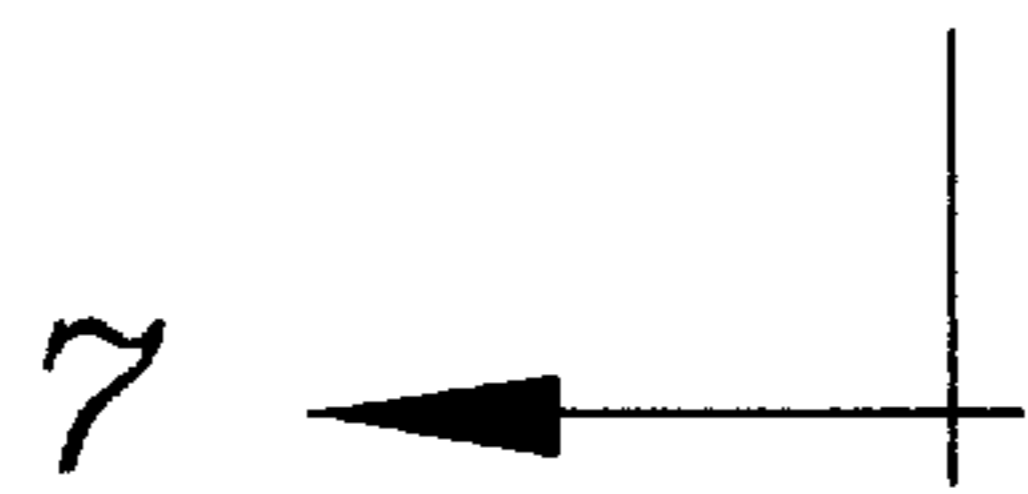
*Fig. 2*



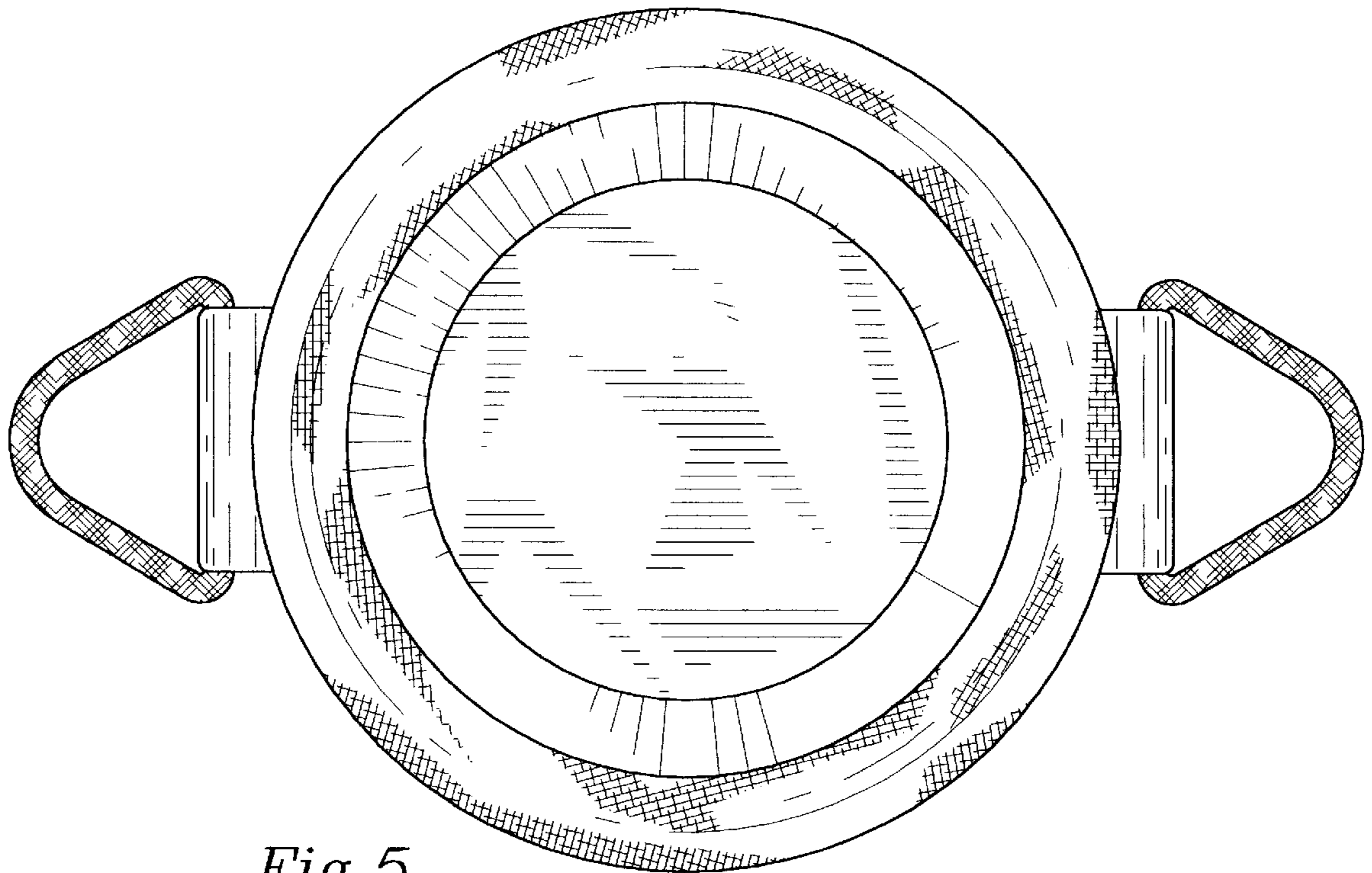
*Fig. 1*



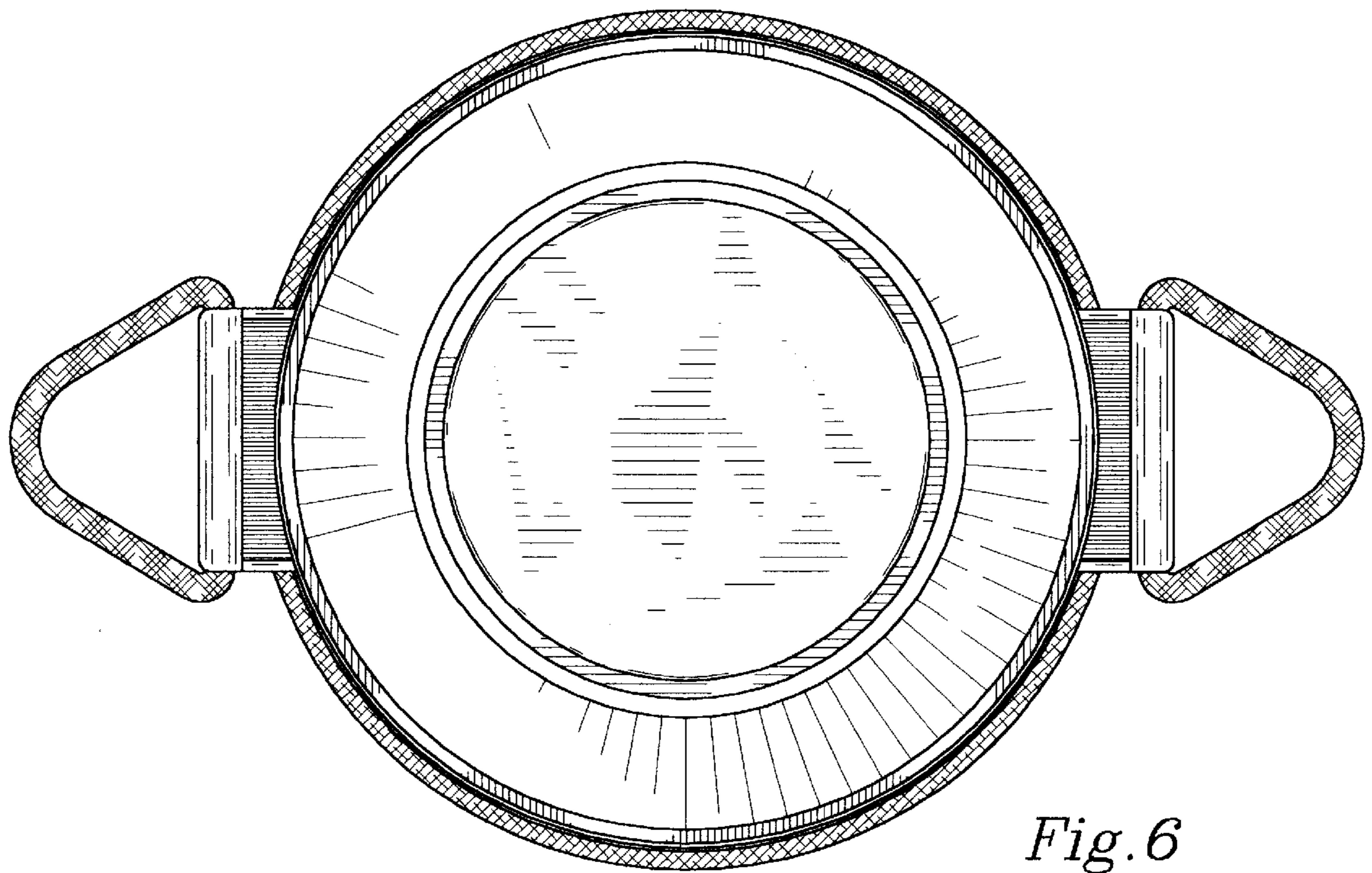
*Fig. 3*



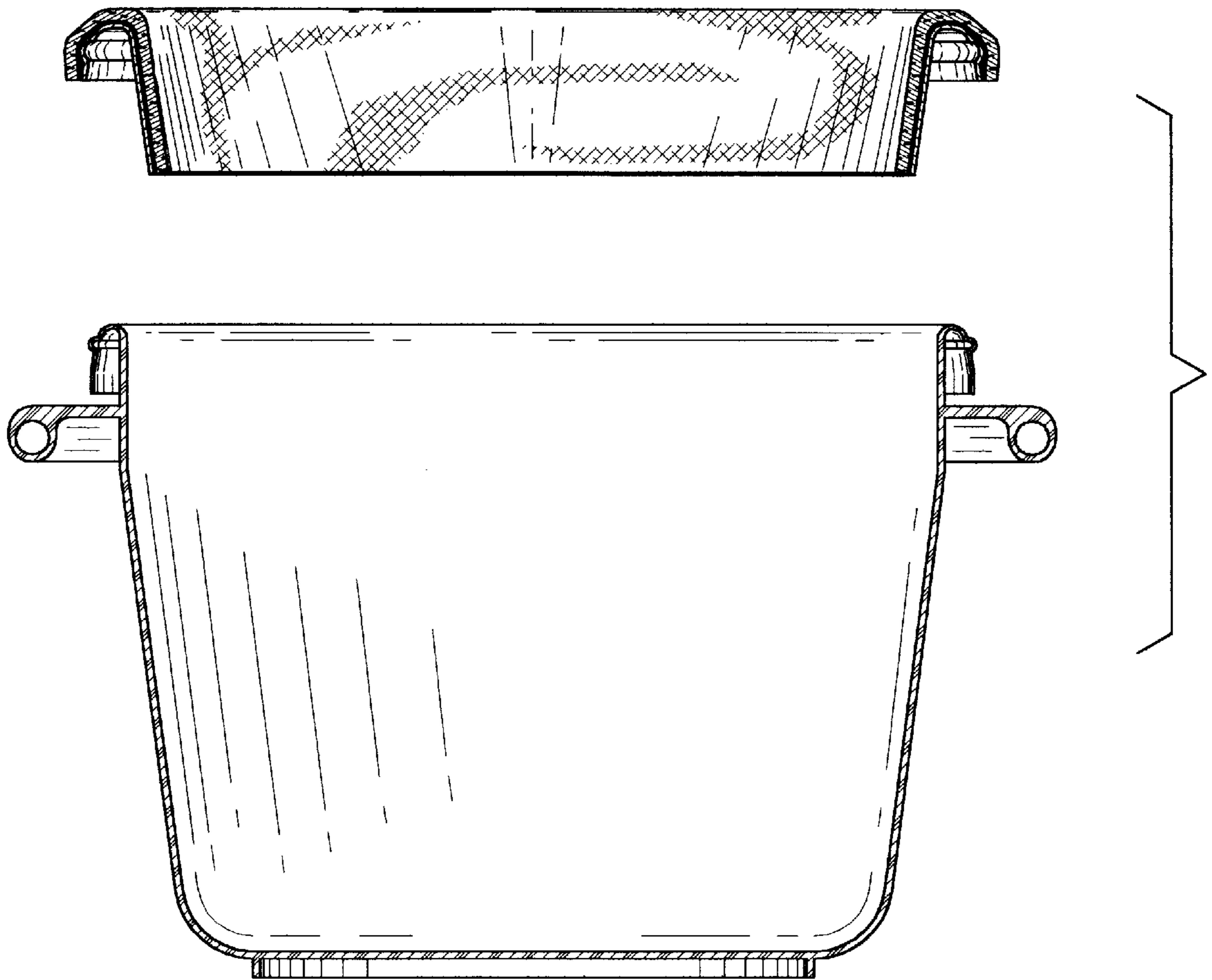
*Fig. 4*



*Fig. 5*



*Fig. 6*



*Fig. 7*