



US00D398087S

United States Patent [19]

Pritzker et al.

[11] Patent Number: **Des. 398,087**

[45] Date of Patent: ****Sep. 8, 1998**

[54] **COMBINED CAT SCRATCHING RAMP AND BED**

[76] Inventors: **Burton Pritzker; Renée Walker Pritzker**, both of 8501 Bowling Green Dr., Austin, Tex. 78757

[**] Term: **14 Years**

[21] Appl. No.: **57,590**

[22] Filed: **Jul. 29, 1996**

[51] **LOC (6) Cl.** **30-99**

[52] **U.S. Cl.** **D30/160; D30/118**

[58] **Field of Search** D30/118, 108, D30/161, 160; 119/165-166, 168, 499, 161; D6/601-605, 334, 335, 382-384

[56] **References Cited**

U.S. PATENT DOCUMENTS

| | | | | |
|------------|---------|---------------|-------|----------|
| D. 236,140 | 7/1975 | Whitlock | | D30/158 |
| D. 288,970 | 3/1987 | Runion | | D30/118 |
| D. 309,514 | 7/1990 | Marcus et al. | | D30/118 |
| D. 321,439 | 11/1991 | Lecompte | | D30/118 |
| D. 322,872 | 12/1991 | Holbrook | | 119/28.5 |
| D. 334,254 | 3/1993 | Mitchell | | D30/160 |
| D. 349,590 | 8/1994 | Berger | | D30/160 |
| D. 360,494 | 7/1995 | Therriault | | D30/118 |
| D. 375,388 | 11/1996 | Tsugita | | D30/118 |
| D. 379,014 | 4/1997 | Woods, II | | D30/118 |
| D. 383,262 | 9/1997 | Benwell | | D30/118 |
| 3,171,398 | 3/1965 | Raymond | | 119/28.5 |
| 4,803,952 | 2/1989 | Houser | | 119/499 |

| | | | | |
|-----------|--------|--------------|-------|----------|
| 5,002,012 | 3/1991 | Pierrot | | 119/28.5 |
| 5,213,060 | 5/1993 | Sloan et al. | | 119/28.5 |
| 5,337,700 | 8/1994 | Toft | | 119/168 |

FOREIGN PATENT DOCUMENTS

| | | | | |
|---------|---------|-------------|-------|---------|
| 8101728 | 12/1981 | Netherlands | | 119/706 |
|---------|---------|-------------|-------|---------|

OTHER PUBLICATIONS

Cat House Originals, Inc. brochure for the World's Finest Feline Furniture; Total Living Environments for Cats; Apr. 1992.

Primary Examiner—Cathy Anne MacCormac
Attorney, Agent, or Firm—Andrew J. Dillon

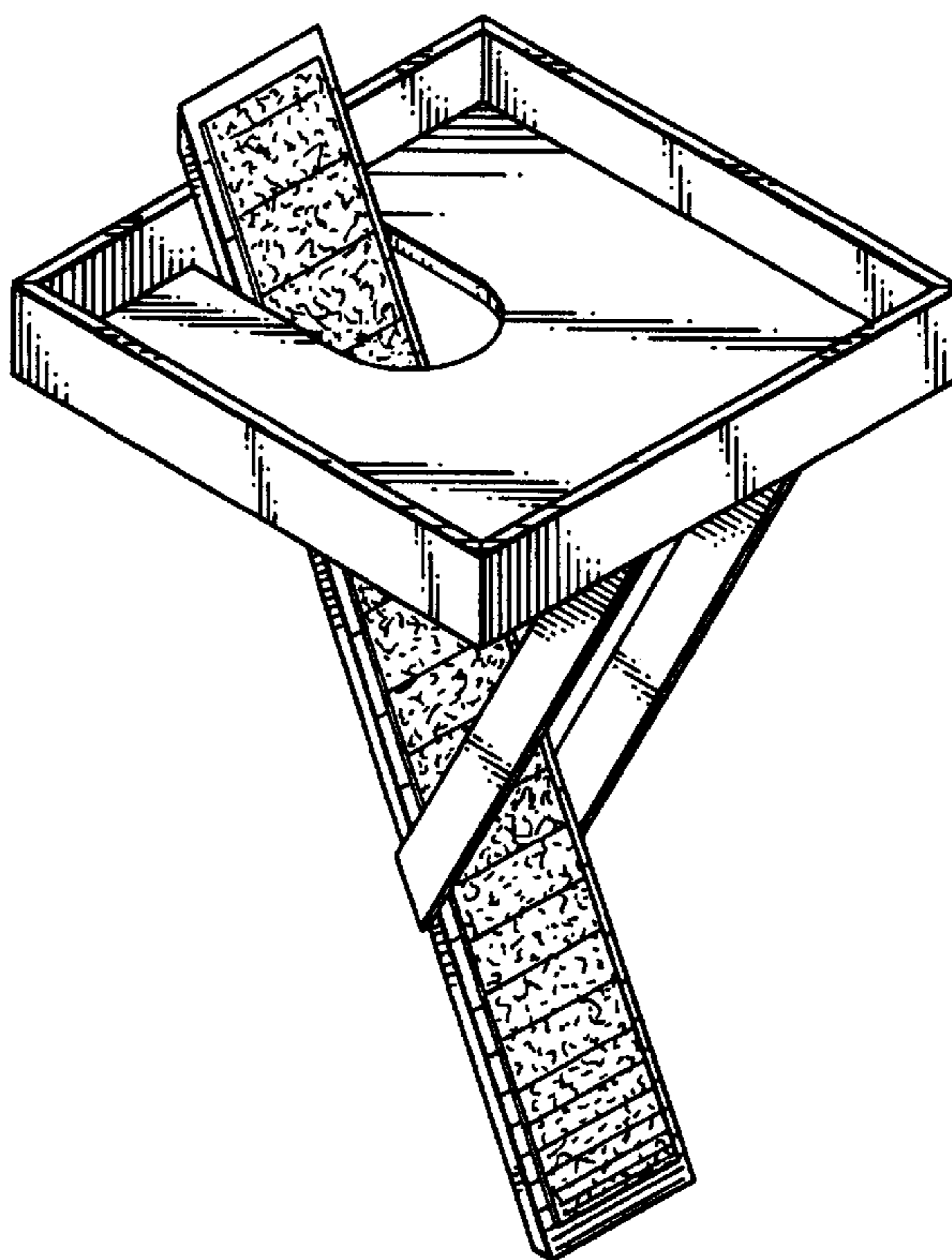
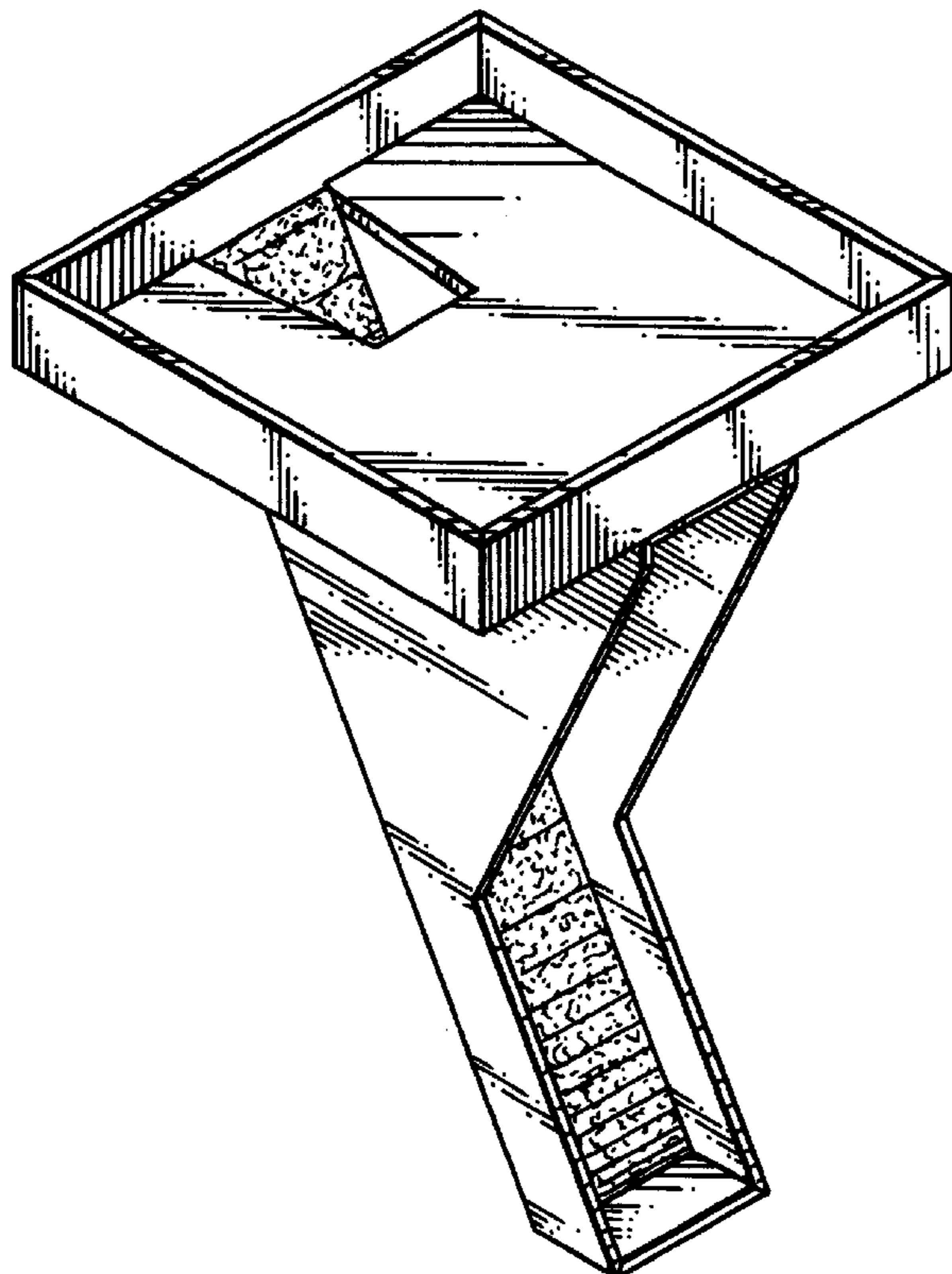
[57] **CLAIM**

The ornamental design for a combined cat scratching ramp and bed, as shown and described.

DESCRIPTION

FIG. 1 is a perspective view of the first embodiment of the combined cat scratching ramp and bed;
FIG. 2 is a top view thereof;
FIG. 3 is a front view thereof;
FIG. 4 is a side view thereof;
FIG. 5 is a back view thereof;
FIG. 6 is a bottom view thereof; and,
FIG. 7 is a perspective view of a second embodiment of FIG. 1, the right side being a mirror image of the left side shown and the rear being plain and unornamented.

1 Claim, 3 Drawing Sheets



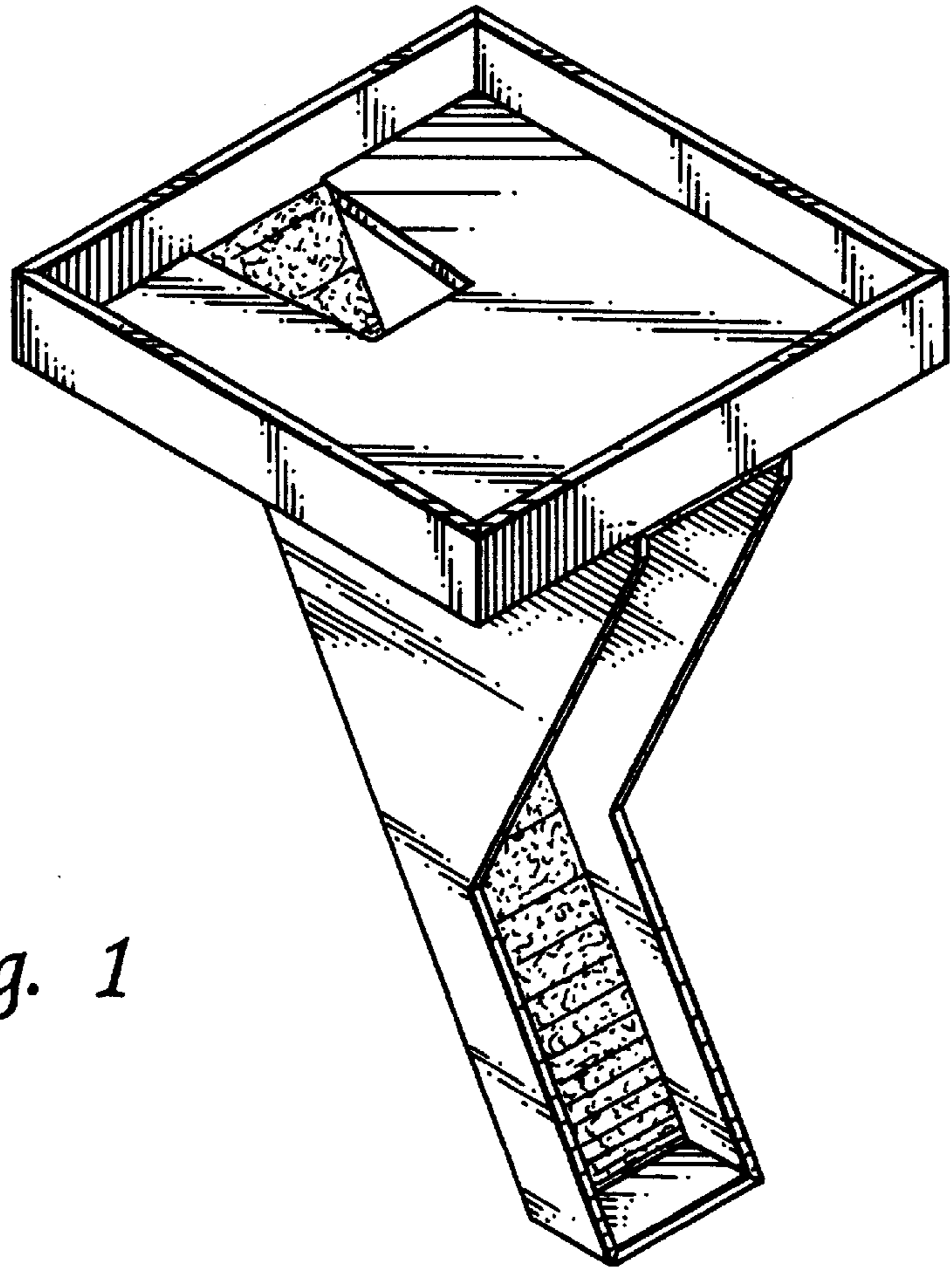


Fig. 1

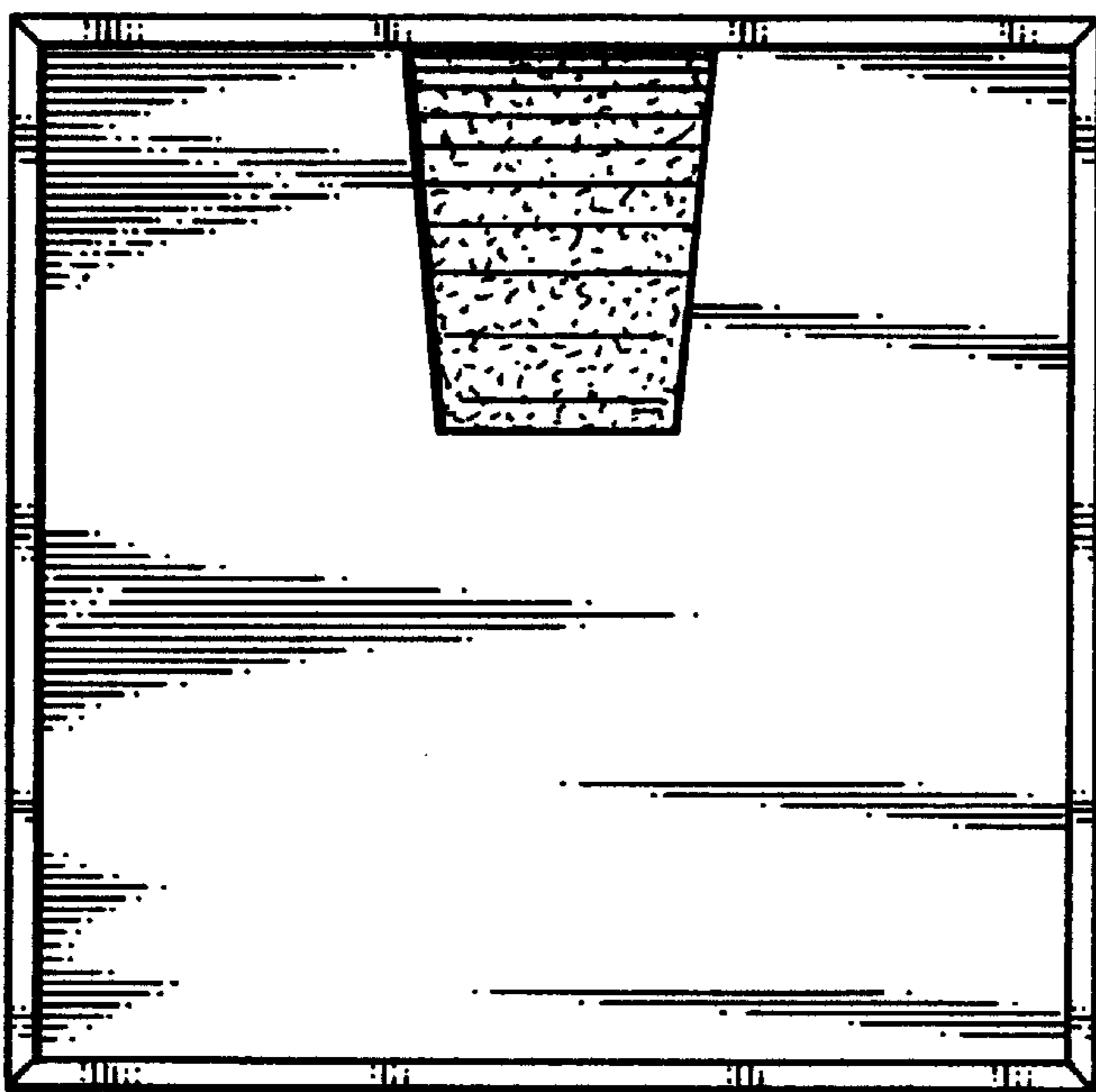


Fig. 2

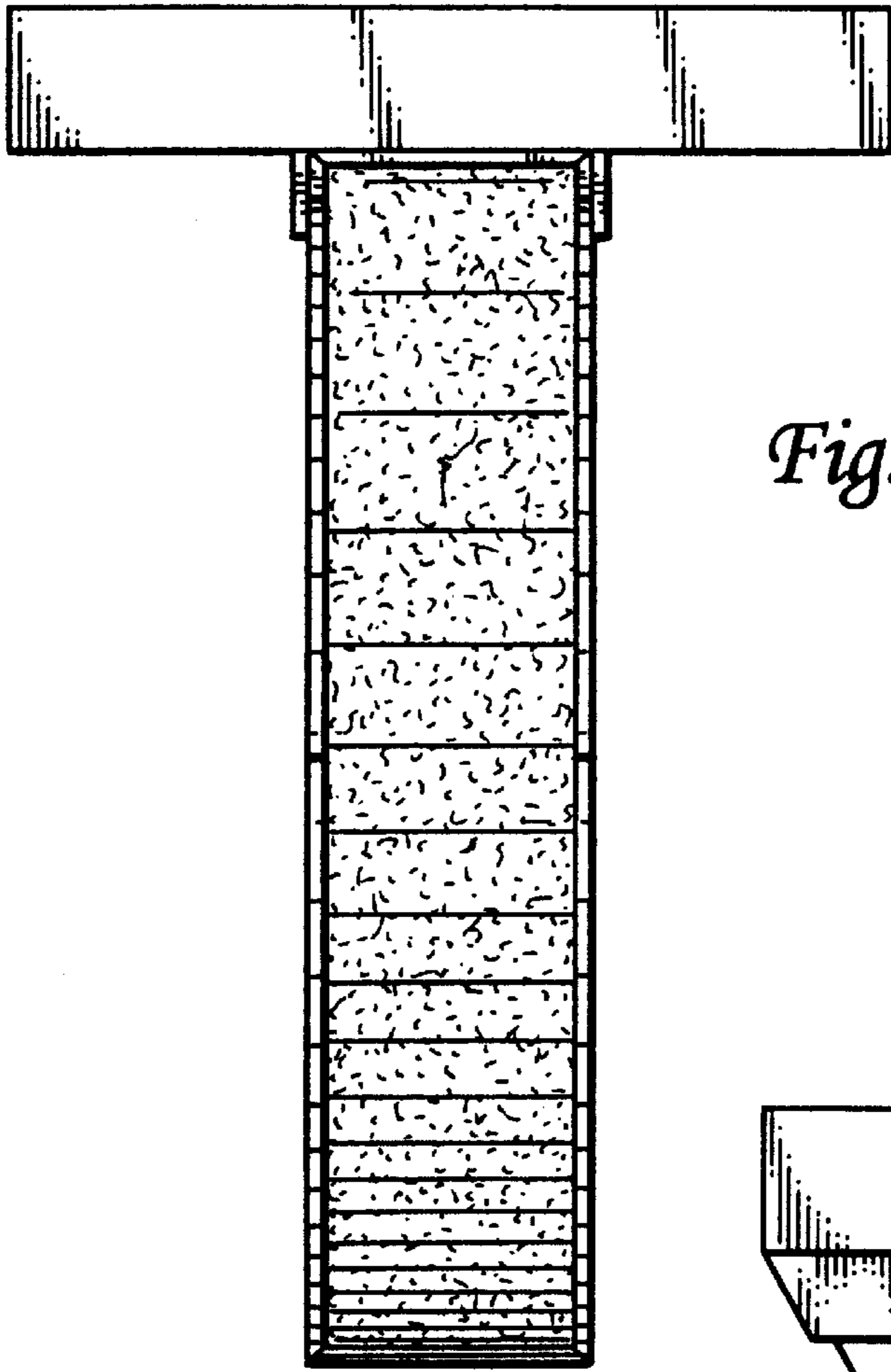


Fig. 3

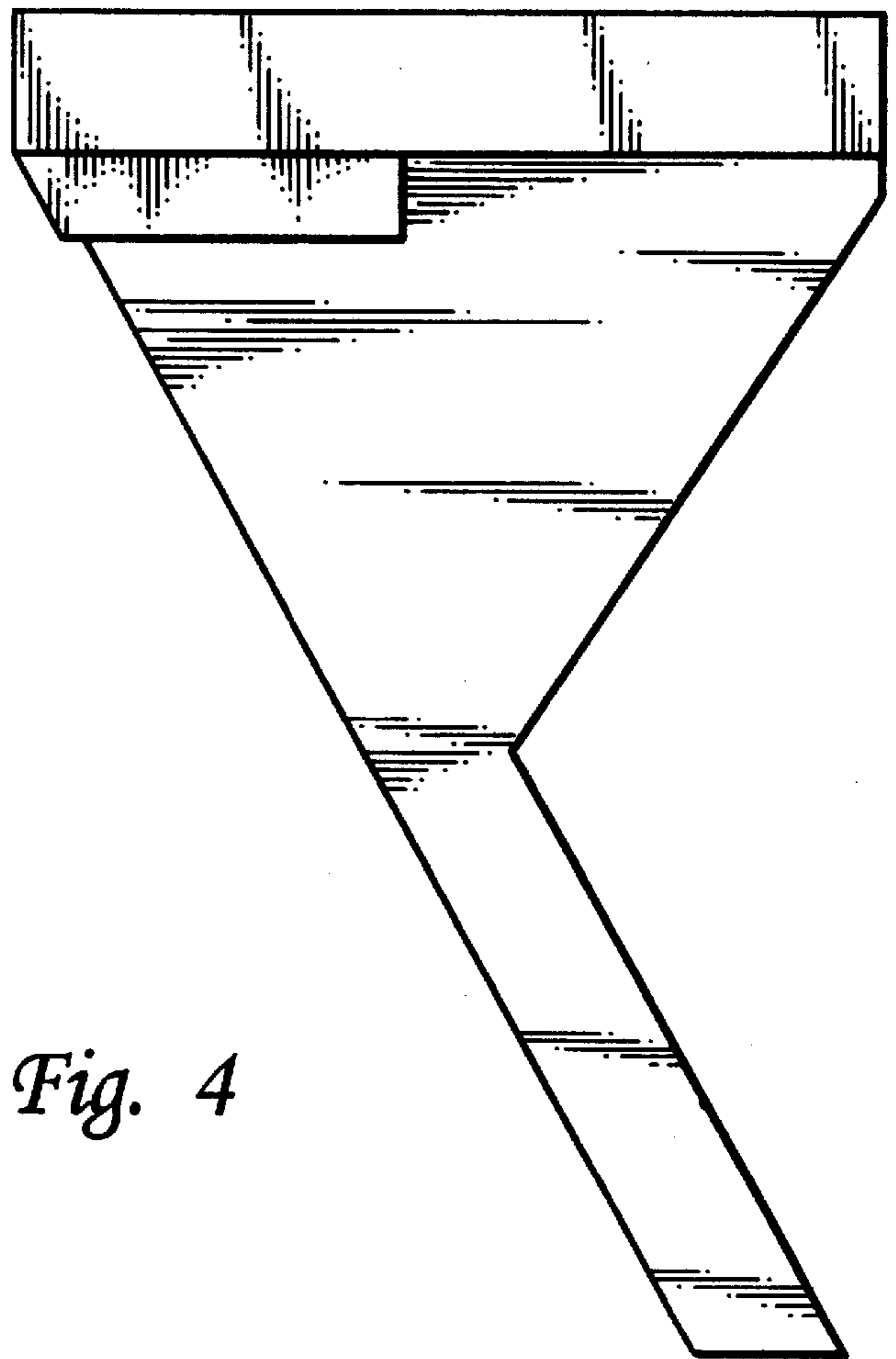


Fig. 4

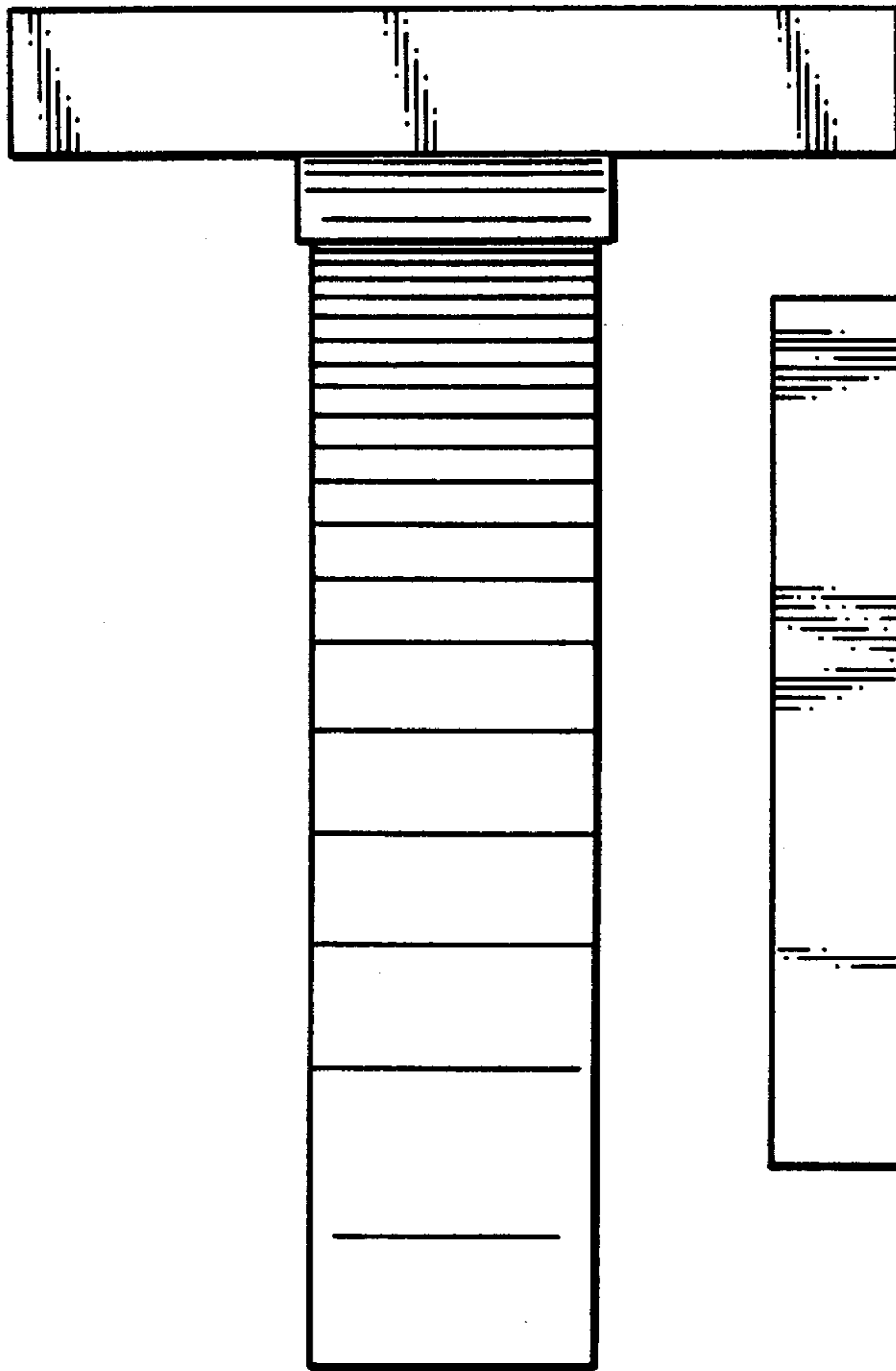


Fig. 5

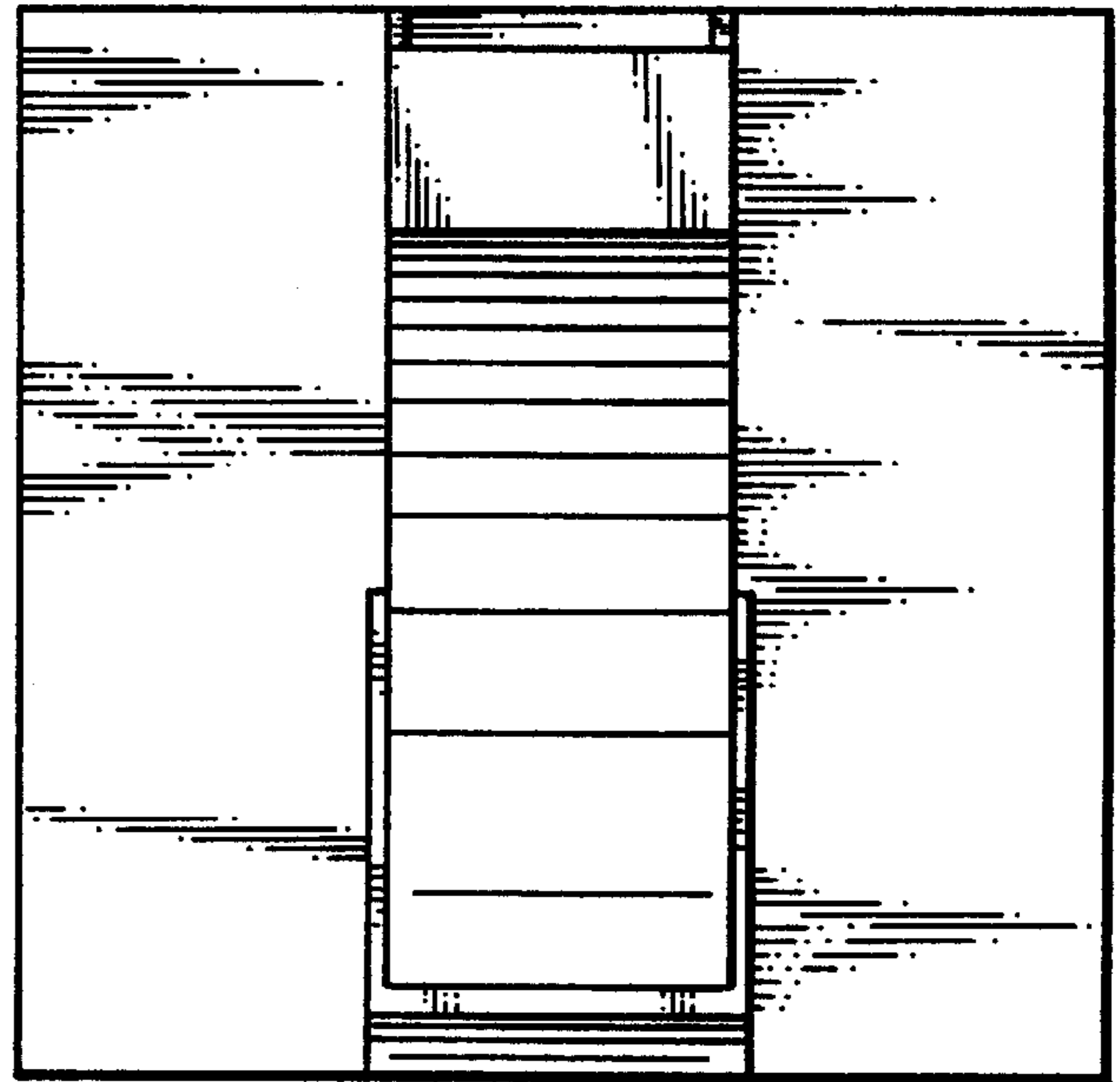


Fig. 6

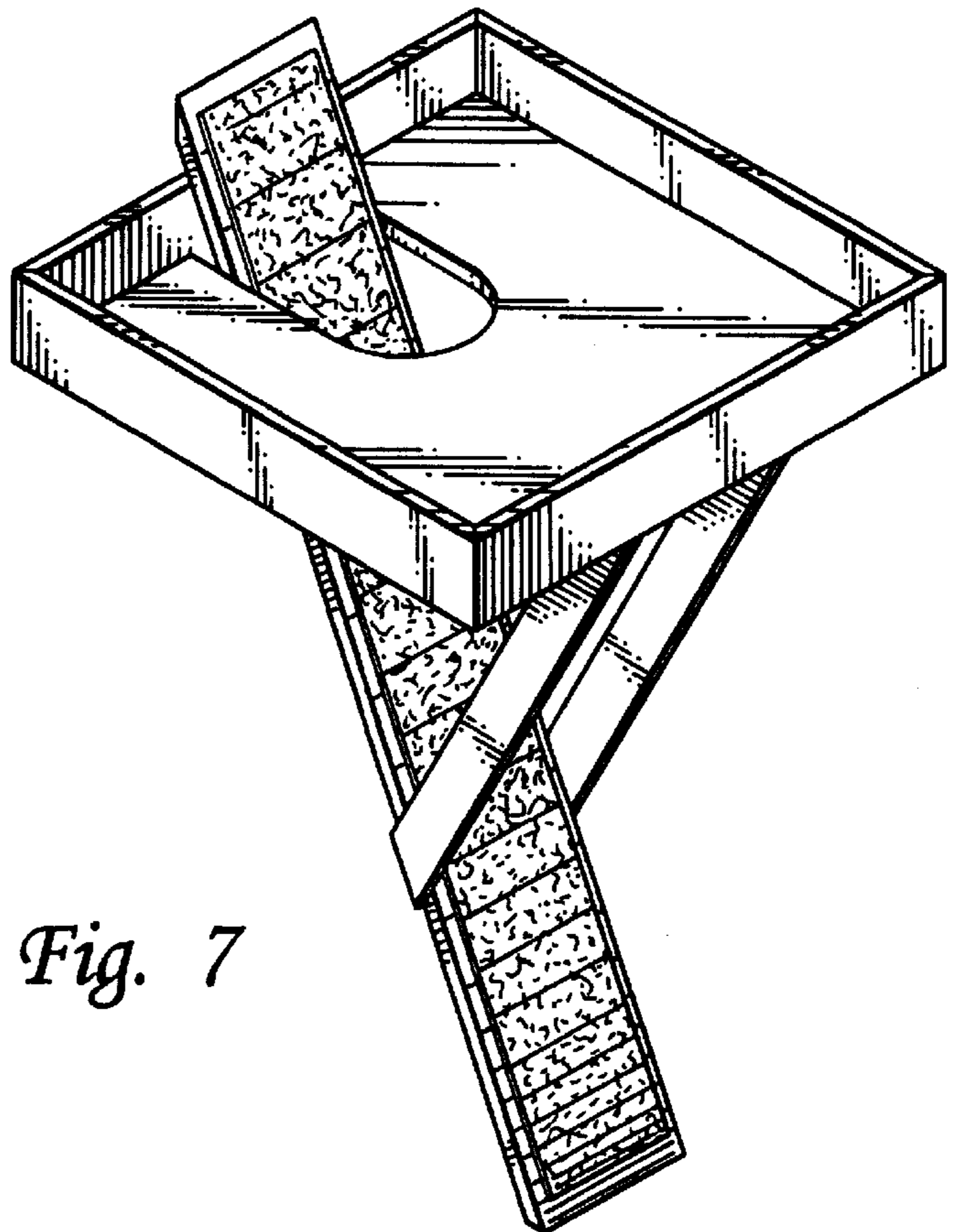


Fig. 7