



US00D398085S

United States Patent [19] Gallo

[11] Patent Number: **Des. 398,085**

[45] Date of Patent: ****Sep. 8, 1998**

[54] LEASH ANCHOR

[75] Inventor: **Richard Gallo**, San Clemente, Calif.

[73] Assignee: **Pro Plug, Inc.**, San Clemente, Calif.

[**] Term: **14 Years**

[21] Appl. No.: **66,327**

[22] Filed: **Feb. 11, 1997**

[51] LOC (6) Cl. **30-09**

[52] U.S. Cl. **D30/154; D8/349**

[58] Field of Search D30/154; 119/747,
119/769, 772, 780, 776, 786-788, 790,
792, 795, 797; D8/349, 354

[56] **References Cited**

U.S. PATENT DOCUMENTS

224,356	2/1880	Ricker	119/788
D. 314,328	2/1991	Cobb	D30/154
D. 351,692	10/1994	Cossey	D30/54
D. 364,334	11/1995	Sandstrom et al.	D8/354
379,103	3/1888	Coyle	119/788
704,730	7/1902	Zierleyn	119/769
843,543	2/1907	Matsumoto	119/769
1,723,859	8/1929	Hummel	119/786
3,658,037	4/1972	Hunter	119/786
4,107,806	8/1978	Newland et al. .	
4,143,581	3/1979	Smith et al. .	
4,267,615	5/1981	Nealy .	
4,497,152	2/1985	Weissner	119/790
4,672,909	6/1987	Sweetsir .	
4,742,605	5/1988	Ritacco	119/776
4,820,220	4/1989	Fruzzetti et al. .	
4,929,208	5/1990	Corica .	
4,938,725	7/1990	Beck .	

5,127,861	7/1992	Ross .	
5,137,483	8/1992	Nealy .	
5,154,655	10/1992	Glydon .	
5,388,237	2/1995	Nealy .	
5,463,834	11/1995	Krieger	D30/154

FOREIGN PATENT DOCUMENTS

000173972	3/1935	Switzerland	119/772
5060	of 1892	United Kingdom	119/776
94/22711	10/1994	WIPO .	

OTHER PUBLICATIONS

Photo of Competitor's plug No. 1, 1995.
Photo of Competitor's plug No. 2, 1995.
Photo of Competitor's plug No. 3, 1995.

Primary Examiner—Cathy Anne MacCormac
Attorney, Agent, or Firm—Knobbe, Martens, Olson & Bear

[57] **CLAIM**

The ornamental design for a leash anchor, as shown and described.

DESCRIPTION

FIG. 1 is a top plan view of a leash anchor showing my new design;
FIG. 2 is a front elevational view thereof, the rear being identical;
FIG. 3 is a right side elevational view thereof, the opposite side being identical;
FIG. 4 is a bottom plan view thereof; and,
FIG. 5 is a cross-sectional view taken on line 5—5 of FIG. 1, the broken lines are for purposes of illustration only and form no part of the claimed design.

1 Claim, 1 Drawing Sheet

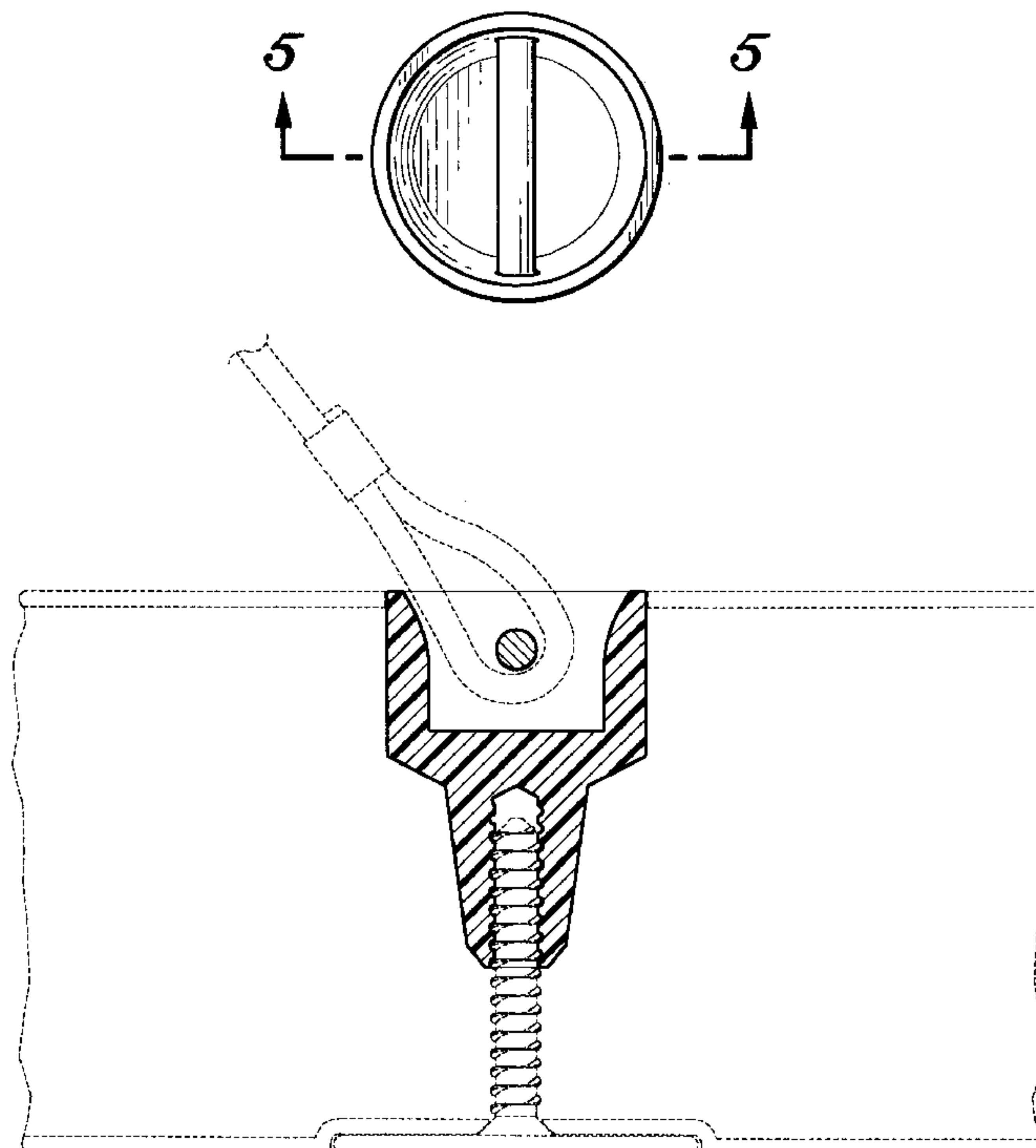


Fig. 1

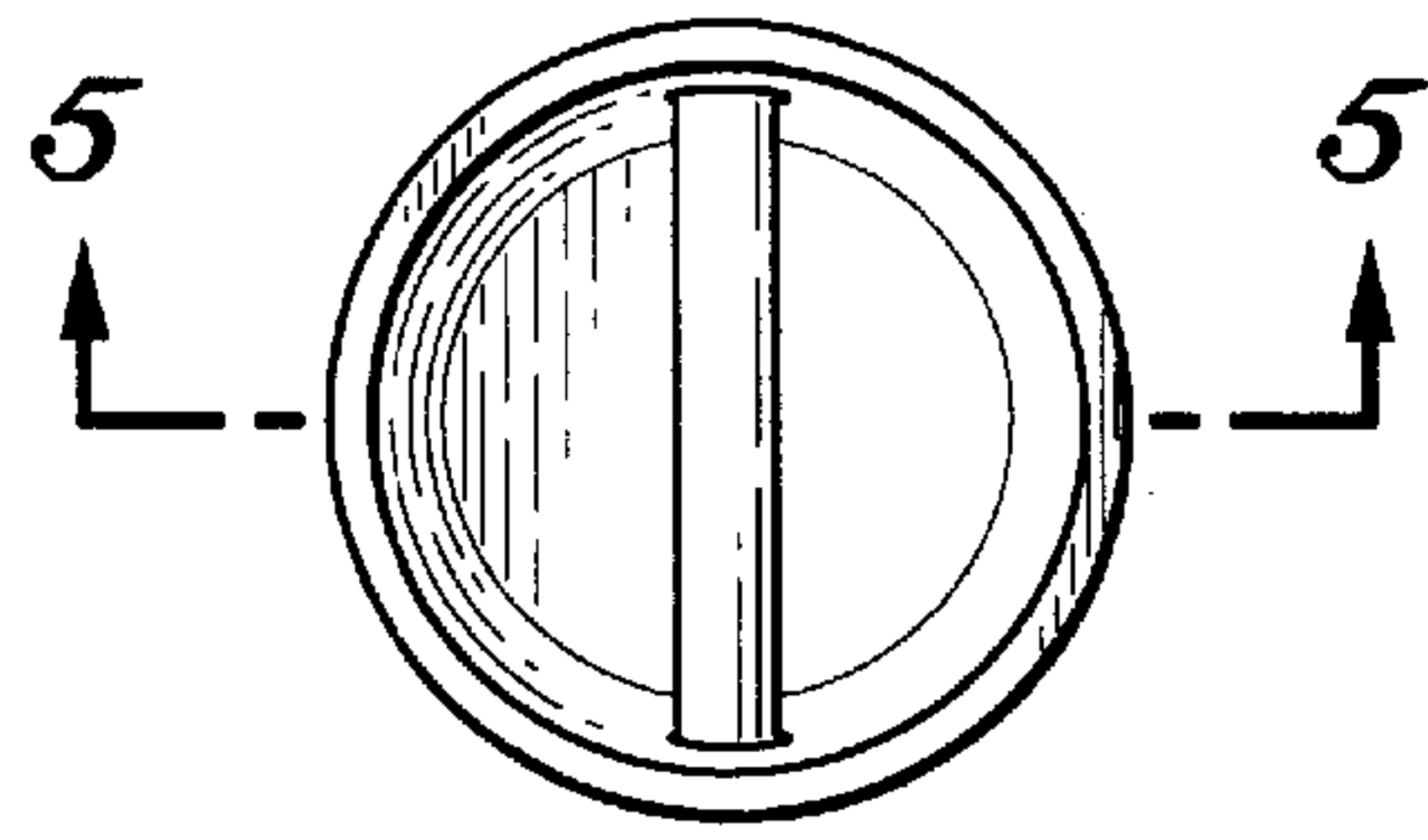


Fig. 2

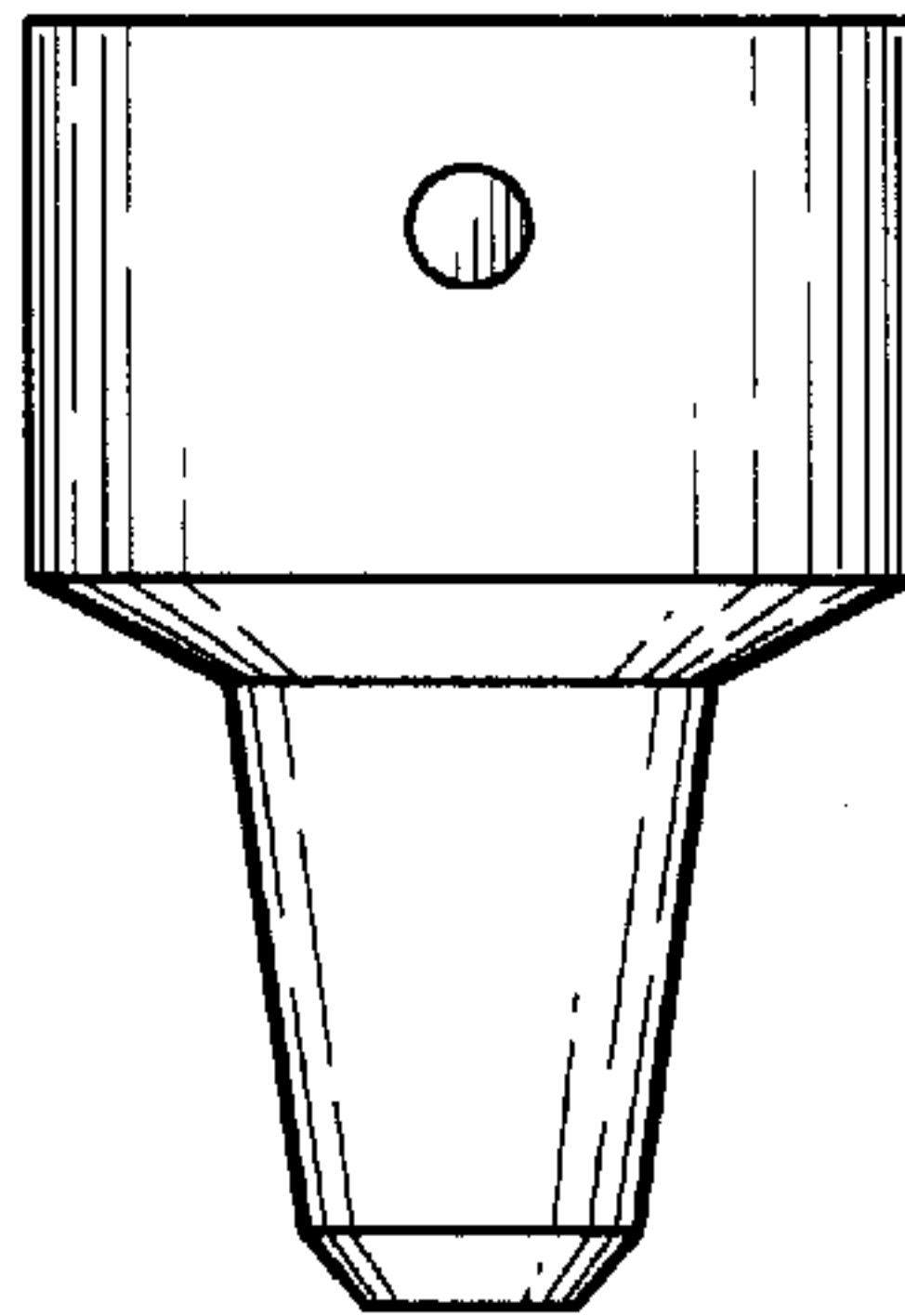


Fig. 3

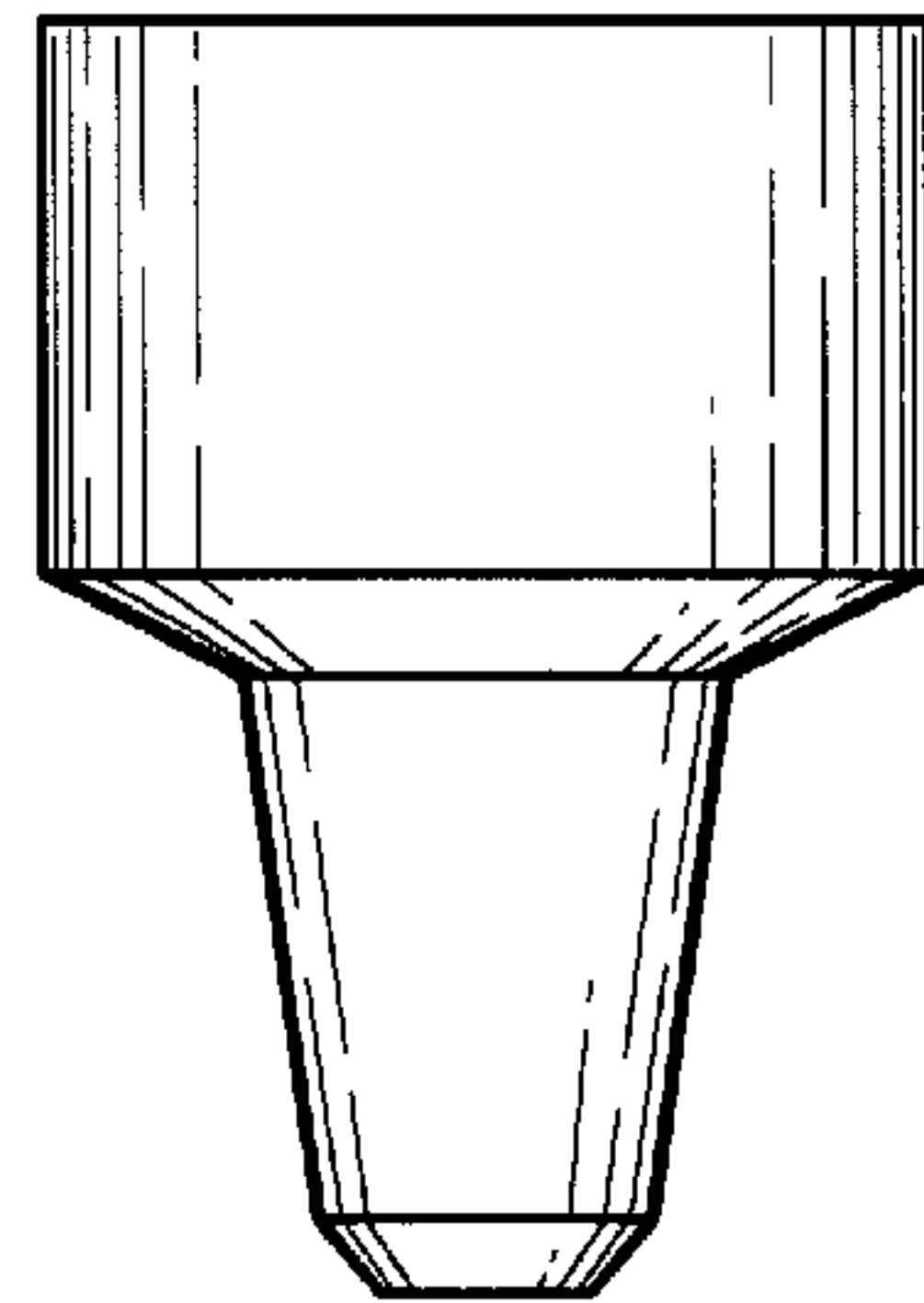


Fig. 4

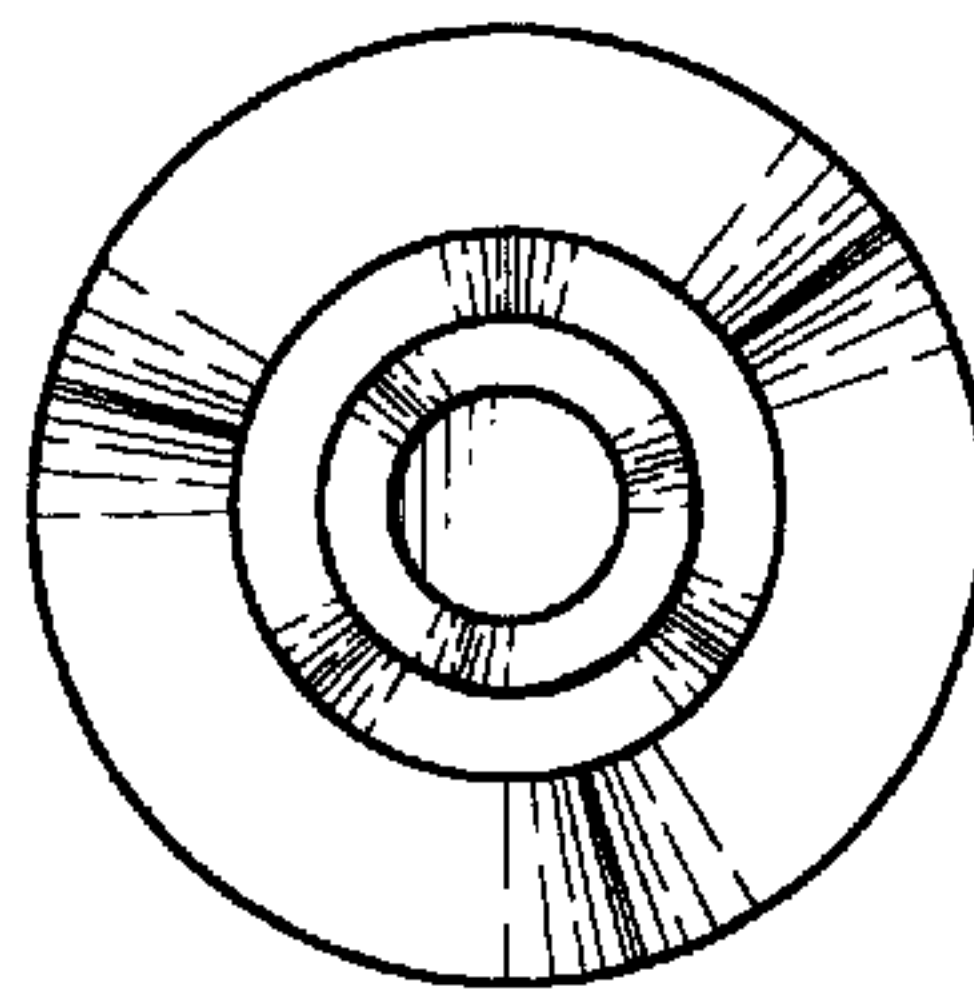


Fig. 5

