



US00D398077S

# United States Patent [19] Young

[11] **Patent Number: Des. 398,077**

[45] **Date of Patent: \*\*Sep. 8, 1998**

[54] **FLOSSING DEVICE**

[76] **Inventor: Dan E. Young**, 9471 S. County Rd. 900  
West, Brazil, Ind. 47834

[\*\*] **Term: 14 Years**

[21] **Appl. No.: 80,286**

[22] **Filed: Dec. 2, 1997**

[51] **LOC (6) Cl. .... 28-03**

[52] **U.S. Cl. .... D28/64**

[58] **Field of Search .... D28/64; 132/321-329**

[56] **References Cited**

**U.S. PATENT DOCUMENTS**

D. 240,932	8/1976	Russell	.....	D28/64
D. 301,071	5/1989	Franchi	.....	D28/64
D. 343,477	1/1994	Ichikawa et al.	.....	D28/64
D. 356,655	3/1995	Maniago	.....	D28/64
D. 358,002	5/1995	Rakocy	.....	D28/64
806,300	12/1905	Sorenson	.....	132/323 X
1,417,518	5/1922	Henerlau	.....	132/324
1,438,939	12/1922	Ball	.....	132/324
2,187,899	1/1940	Henne	.....	132/232
4,235,253	11/1980	Moore	.....	132/92 R
4,753,254	6/1988	McCullough et al.	.....	132/323

5,267,579	12/1993	Bushberger	.....	132/323 X
5,279,314	1/1994	Poulos et al.	.....	132/322
5,423,338	6/1995	Hodge et al.	.....	132/324
5,579,786	12/1996	Wolk et al.	.....	132/322

**FOREIGN PATENT DOCUMENTS**

6245943	9/1994	Japan	.....	132/322
2245172	1/1992	United Kingdom	.....	132/321

*Primary Examiner*—Ted Shooman  
*Assistant Examiner*—C. Tuttle  
*Attorney, Agent, or Firm*—David L. Volk

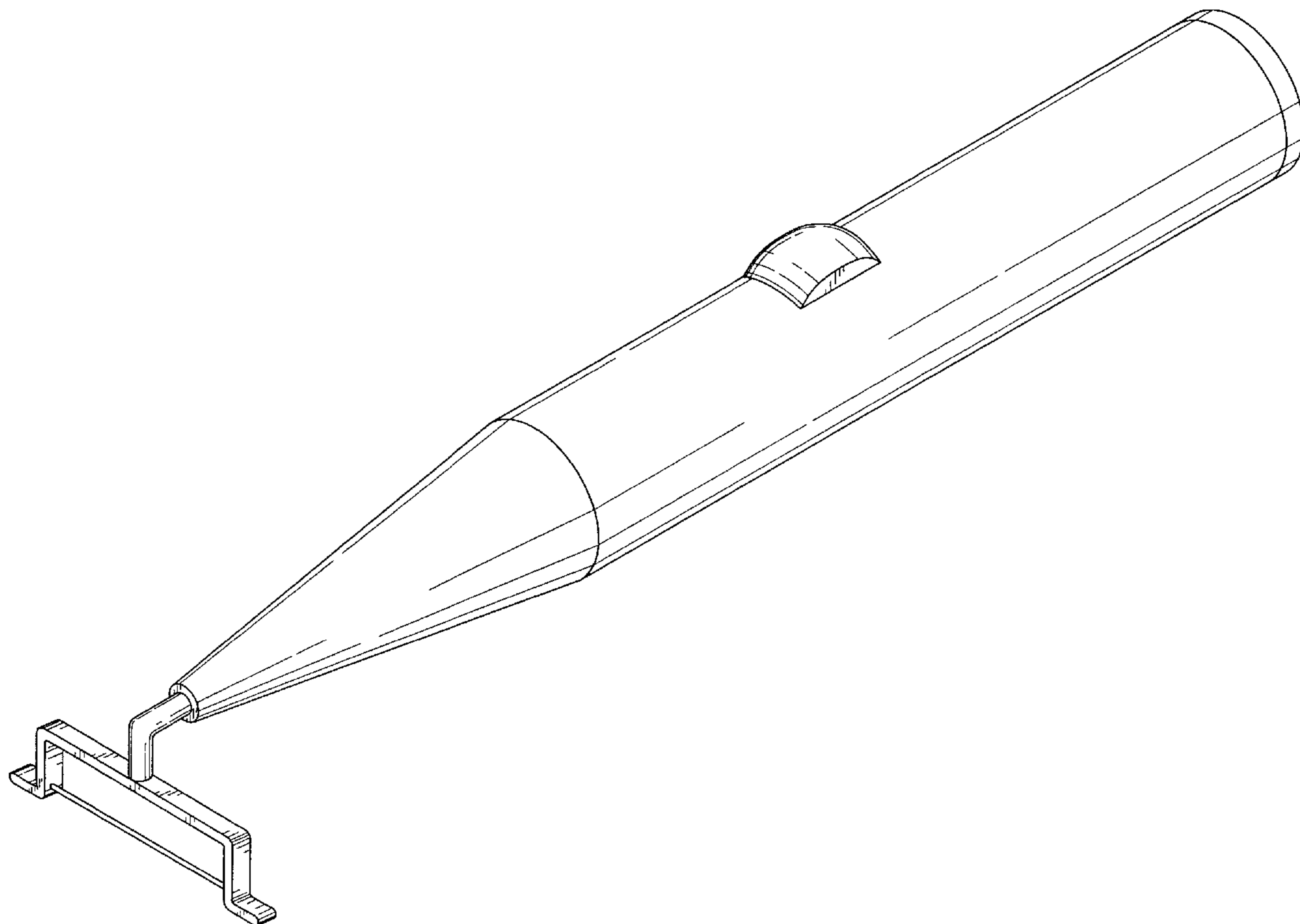
[57] **CLAIM**

The ornamental design for a flossing device, as shown and described.

**DESCRIPTION**

FIG. 1 is a perspective view of a flossing device showing my new design;  
FIG. 2 is a right side elevational view thereof, the opposite side being a mirror image;  
FIG. 3 is a front elevational view thereof;  
FIG. 4 is a rear elevational view thereof;  
FIG. 5 is a top plan view thereof; and,  
FIG. 6 is a bottom plan view thereof.

**1 Claim, 3 Drawing Sheets**



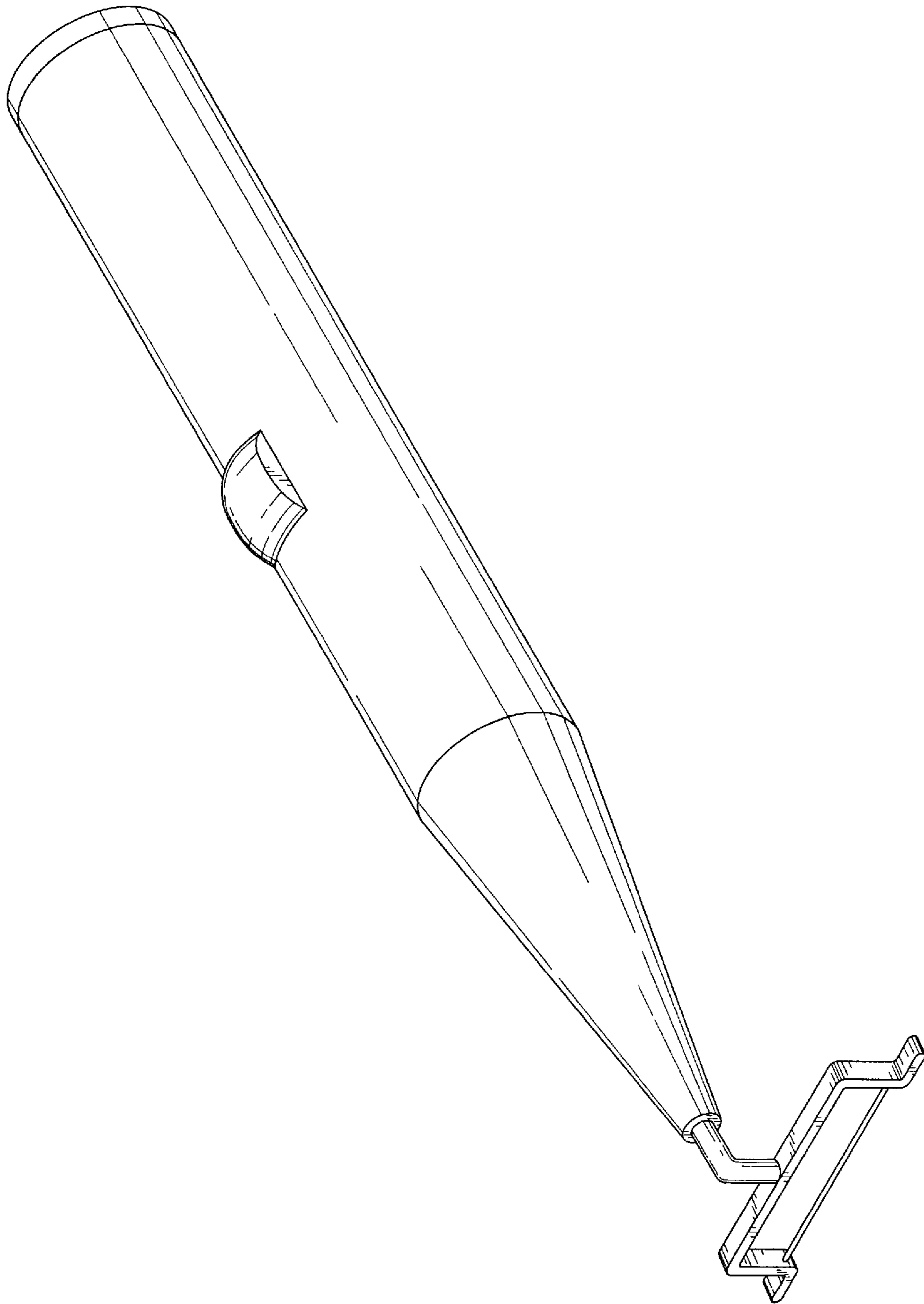
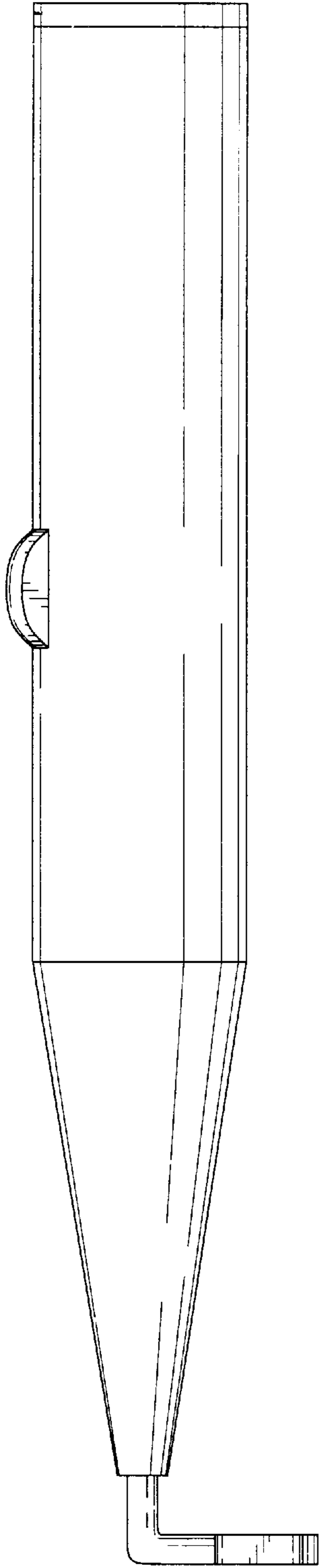
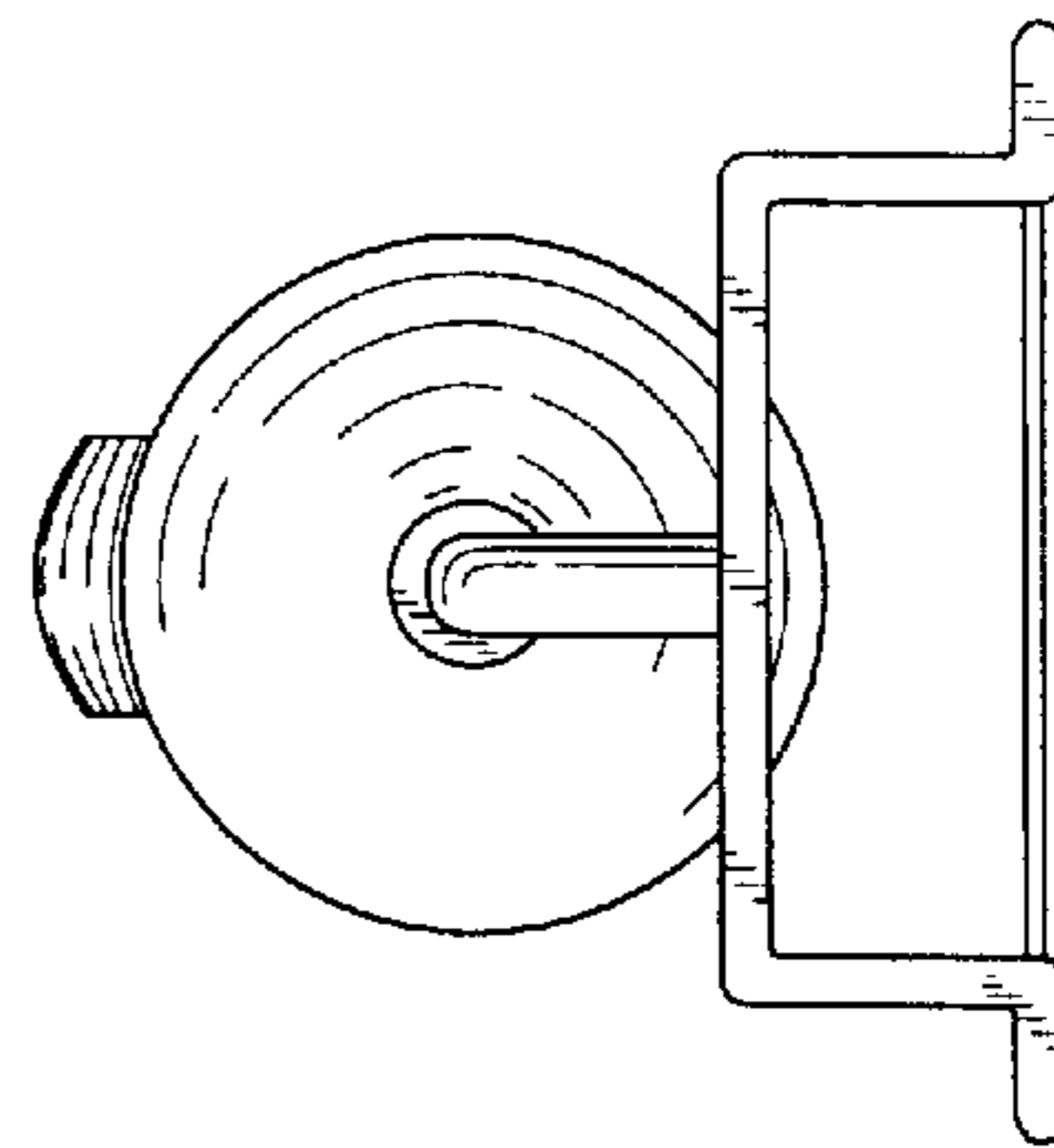


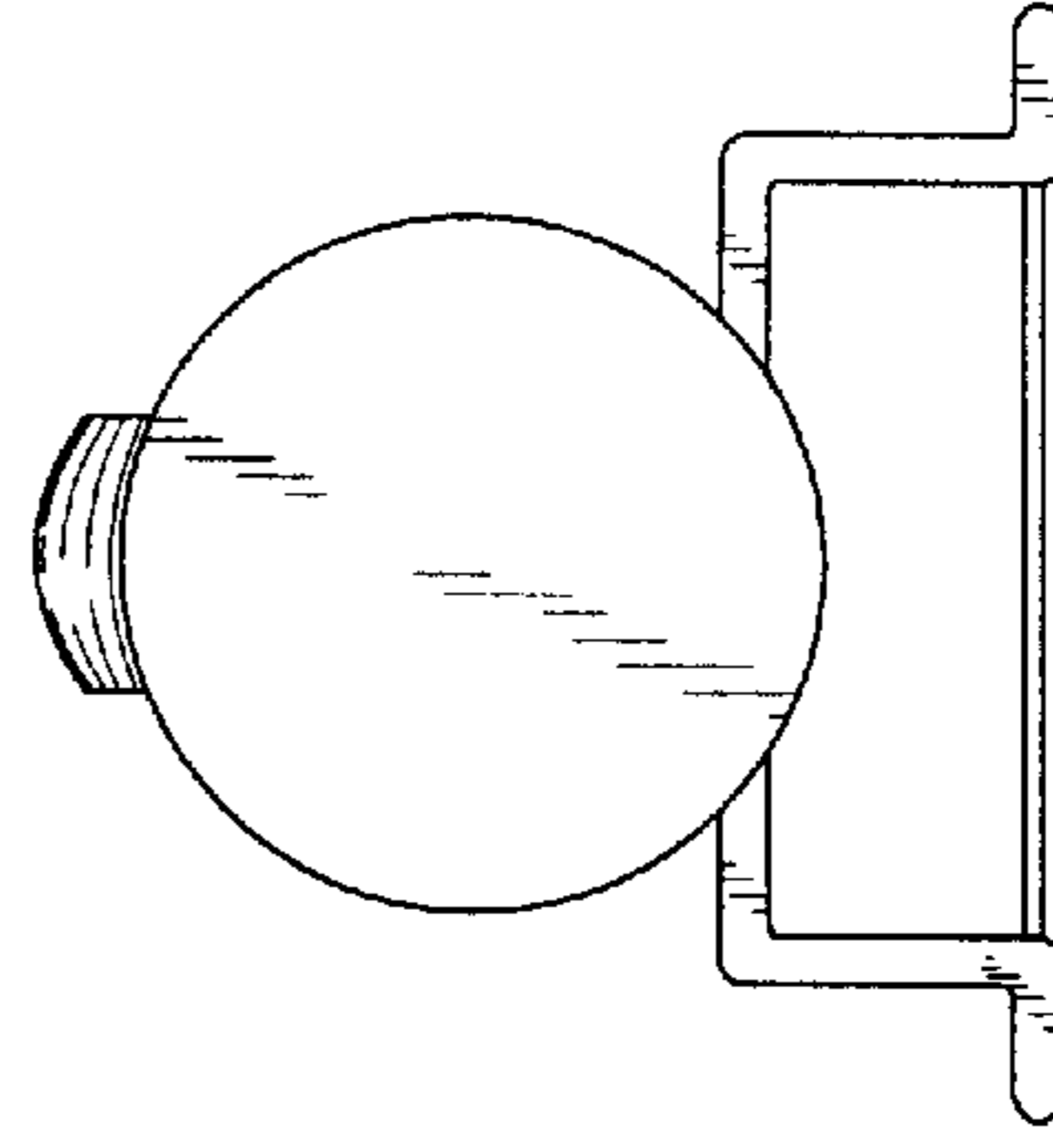
Fig. 1



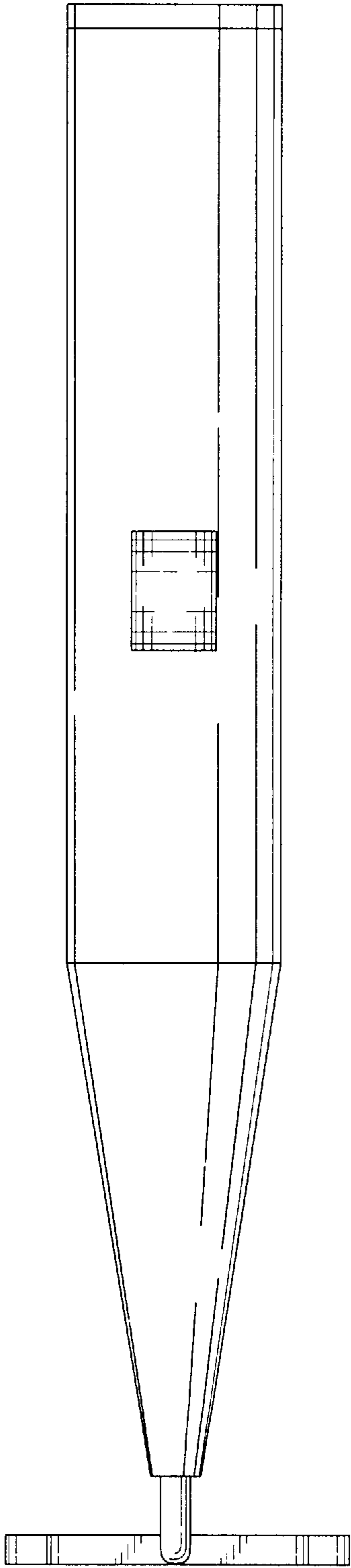
**Fig. 2**



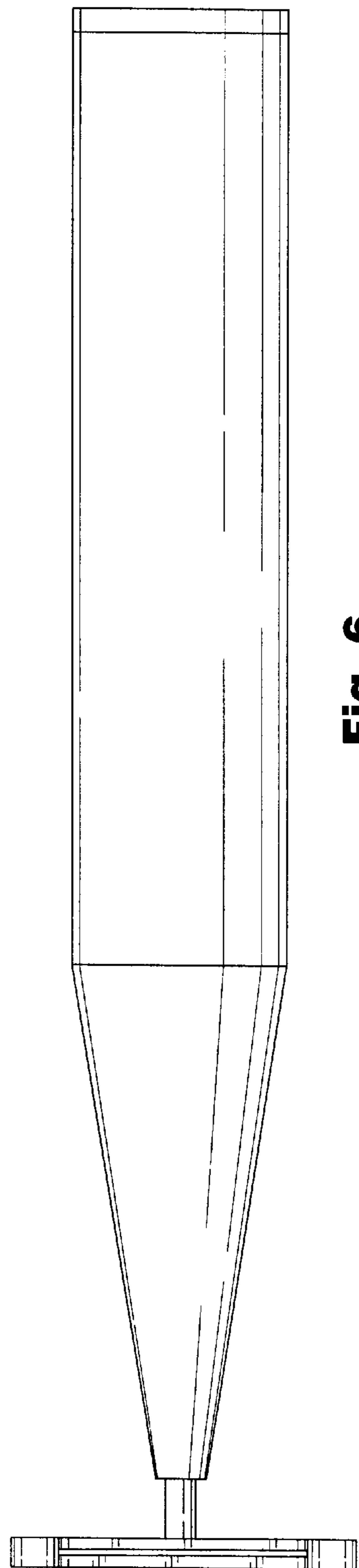
**Fig. 3**



**Fig. 4**



**Fig. 5**



**Fig. 6**