



US00D398075S

# United States Patent [19]

Book et al.

[11] Patent Number: **Des. 398,075**

[45] Date of Patent: **\*\*Sep. 8, 1998**

[54] **PORTABLE SHAMPOO AND SCALP TREATMENT UNIT**

37751 9/1906 Switzerland ..... 4/522

[76] Inventors: **Jeffery G. Book; Veronica Book**, both of 537 Georgetown St., Beaumont, Tex. 77707

*Primary Examiner*—Ted Shooman  
*Assistant Examiner*—C. Tuttle  
*Attorney, Agent, or Firm*—Bush, Riddle, & Jackson L.L.P.

[\*\*] Term: **14 Years**

[57] **CLAIM**

The ornamental design for a portable shampoo and scalp treatment unit, as shown and described.

[21] Appl. No.: **75,315**

**DESCRIPTION**

[22] Filed: **Aug. 18, 1997**

[51] **LOC (6) Cl.** ..... **28-03**

[52] **U.S. Cl.** ..... **D28/20**

[58] **Field of Search** ..... D28/9, 10, 20; 132/212, 333; 4/515-523, 625, 626, 638-642; D24/171, 121, 123, 204, 205; D9/337, 517, 520, 523, 528; 220/571-573, 914, DIG. 6, DIG. 28; 215/10

FIG. 1 is a front perspective view of a portable shampoo and scalp treatment unit; showing the basin and reservoir components thereof in nested relation;

FIG. 2 is an isometric view thereof shown with the basin and reservoir components in their separated relation;

FIG. 3 is a top plan view thereof;

FIG. 4 is a left side elevational view thereof;

FIG. 5 is a bottom view of the basin compartment thereof, shown separately for ease of illustration;

FIG. 6 is a right side elevational view of the basin component thereof;

FIG. 7 is a rear elevational view of the basin component thereof;

FIG. 8 is a front elevational view of the basin component thereof;

FIG. 9 is a sectional view taken along line 9-9 of FIG. 2;

FIG. 10 is a rear elevational view of the reservoir component thereof, shown separate from the basin for ease of illustration;

FIG. 11 is a right side elevational view of the reservoir component thereof; and,

FIG. 12 is a bottom view of the reservoir component thereof.

[56] **References Cited**

**U.S. PATENT DOCUMENTS**

D. 251,202	2/1979	Charewicz	.....	D24/123
D. 264,180	5/1982	Bartz	.....	D9/337
D. 331,516	12/1992	Waring	.....	D9/520 X
998,804	7/1911	Salisbury	.....	132/212 X
2,469,184	5/1949	Thomas	.....	4/625
3,733,620	5/1973	Glantz	.....	4/515
3,750,196	8/1973	Halferty	.....	4/625
4,296,838	10/1981	Cohen	.....	220/573 X
4,533,042	8/1985	Pollacco	.....	206/223
4,640,446	2/1987	Walker	.....	D9/528 X
5,381,562	1/1995	Holloway et al.	.....	4/516

**FOREIGN PATENT DOCUMENTS**

714276	11/1941	Germany	.....	4/455
--------	---------	---------	-------	-------

**1 Claim, 4 Drawing Sheets**

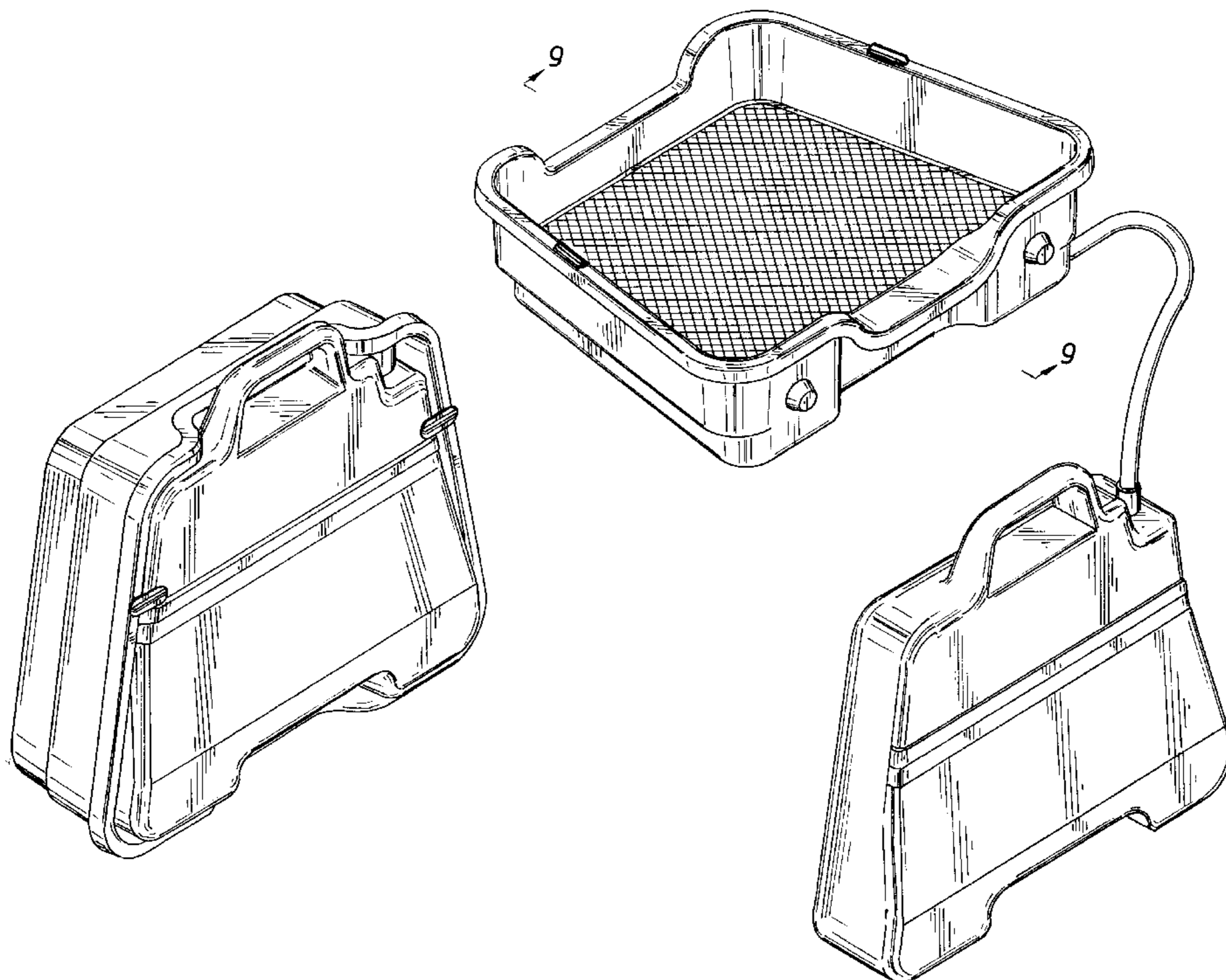


FIG. 1

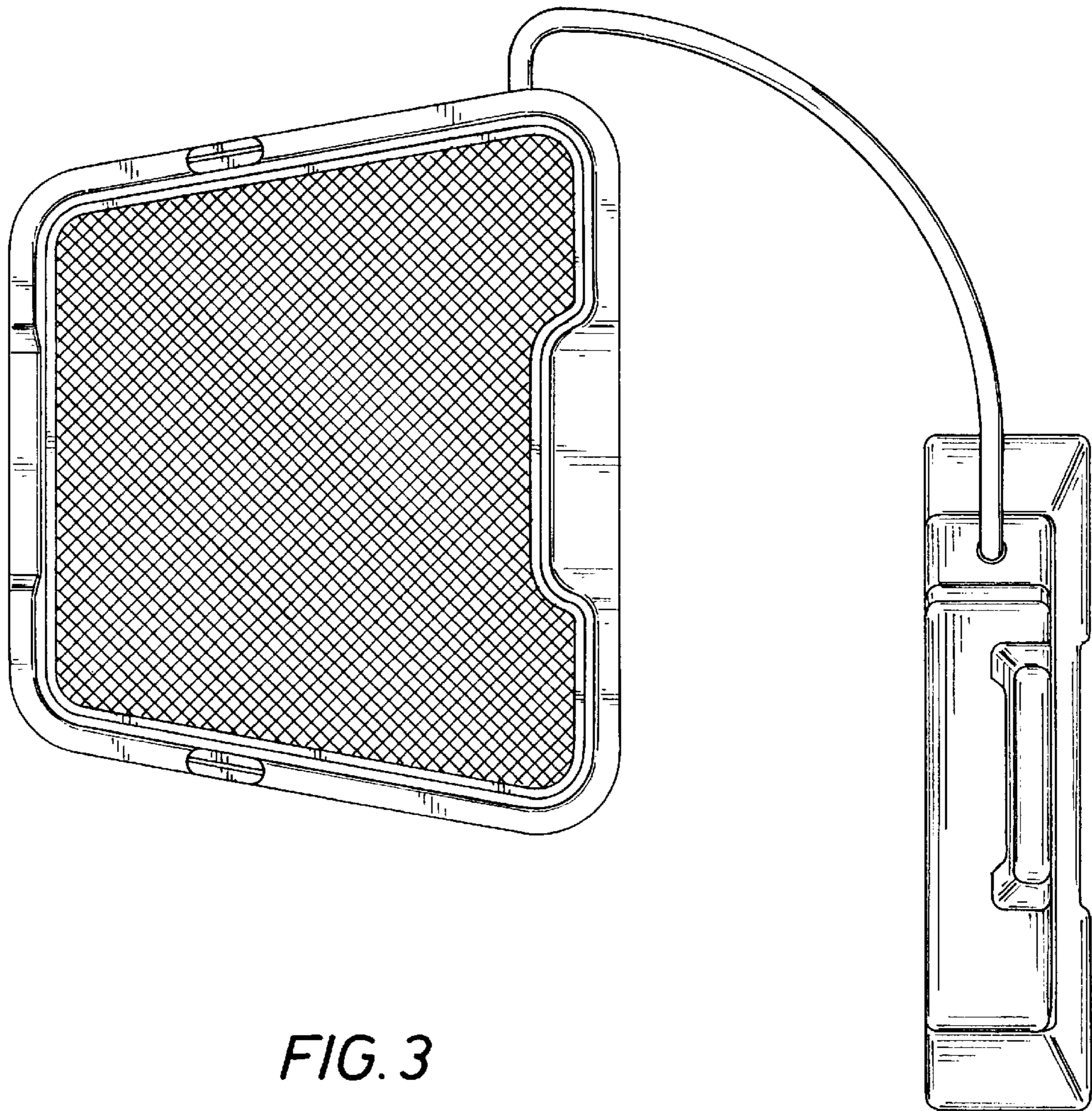
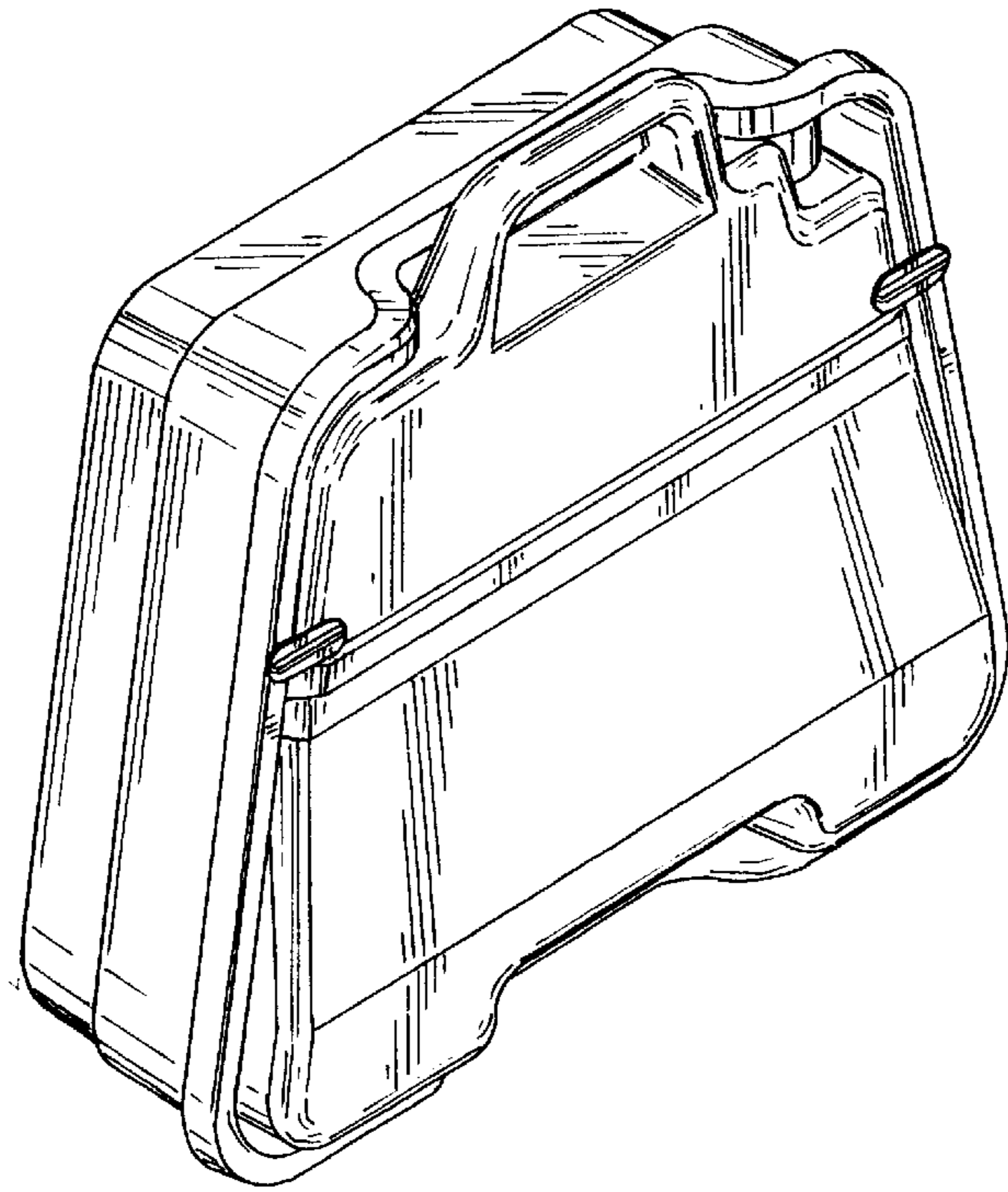


FIG. 3

FIG. 2

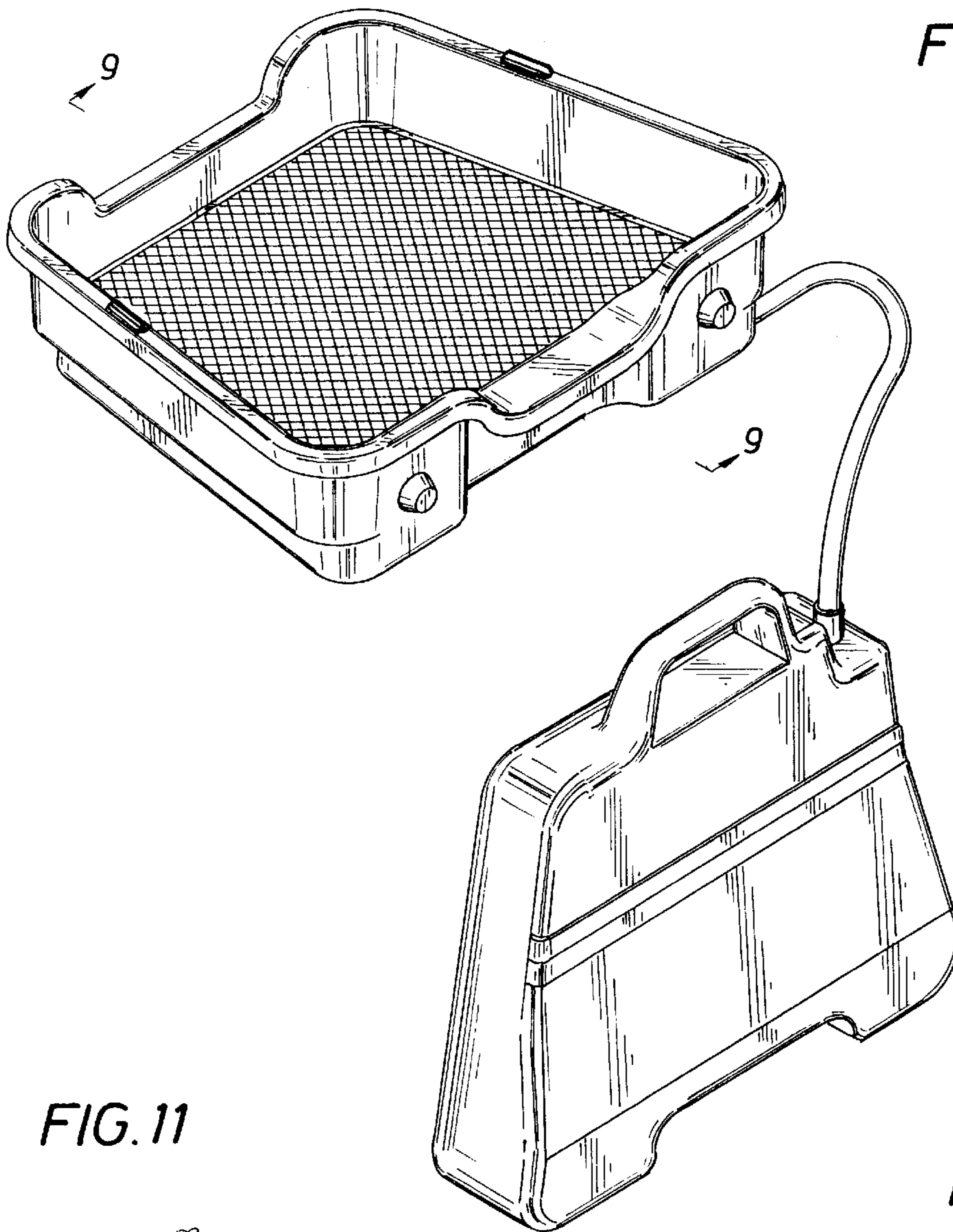


FIG. 11

FIG. 10

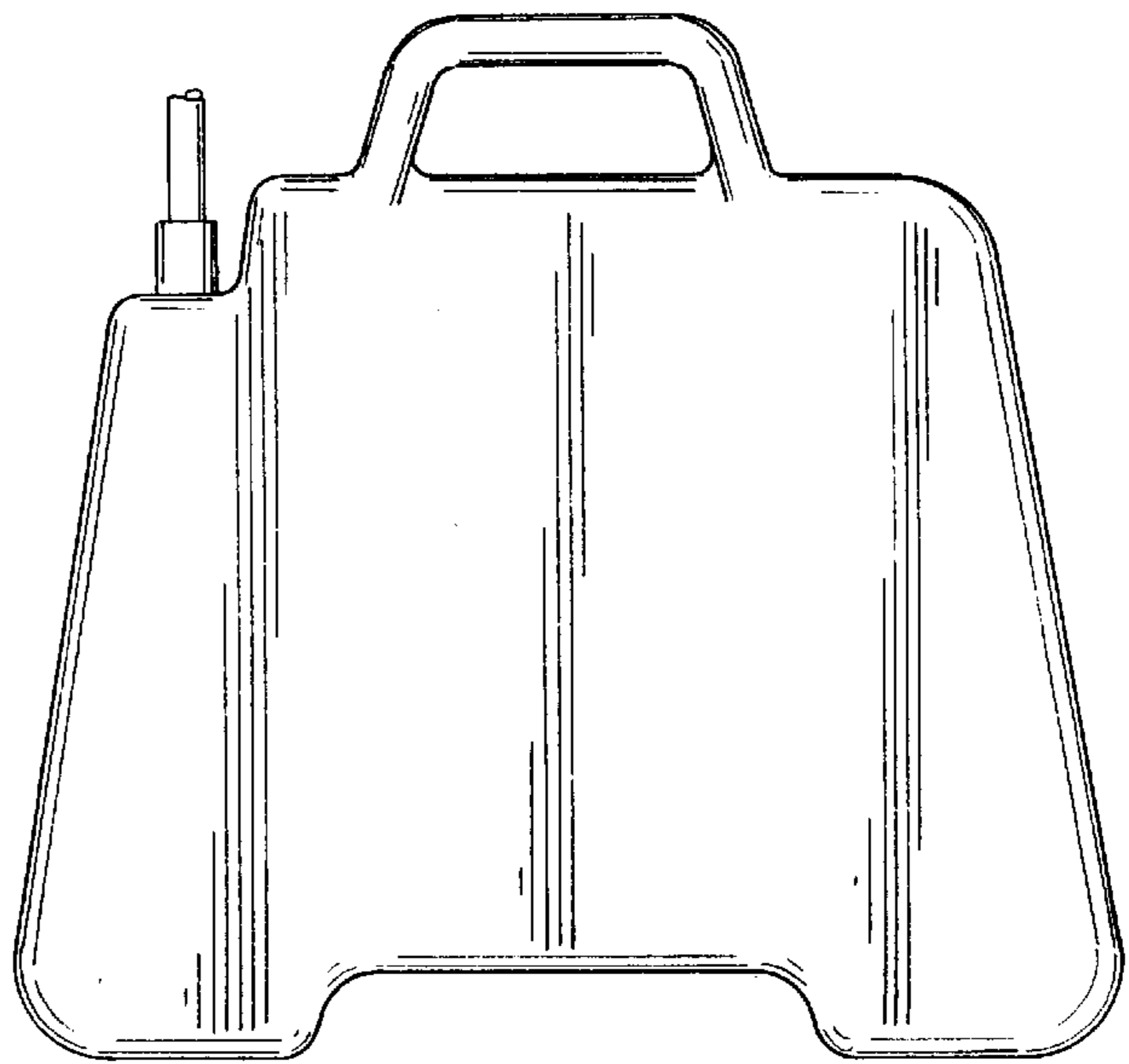
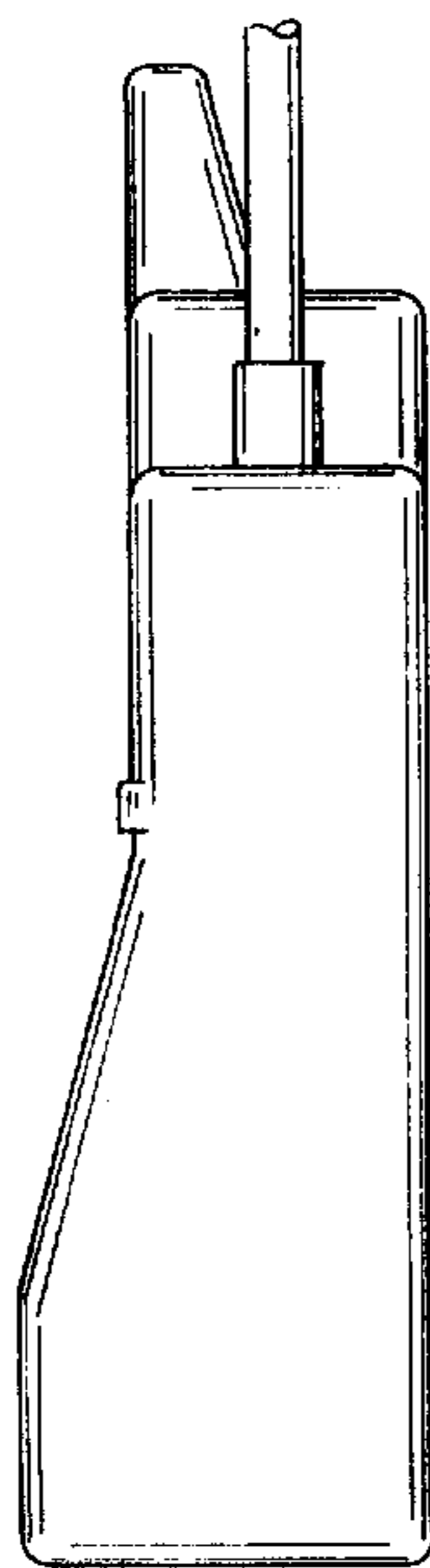


FIG. 4

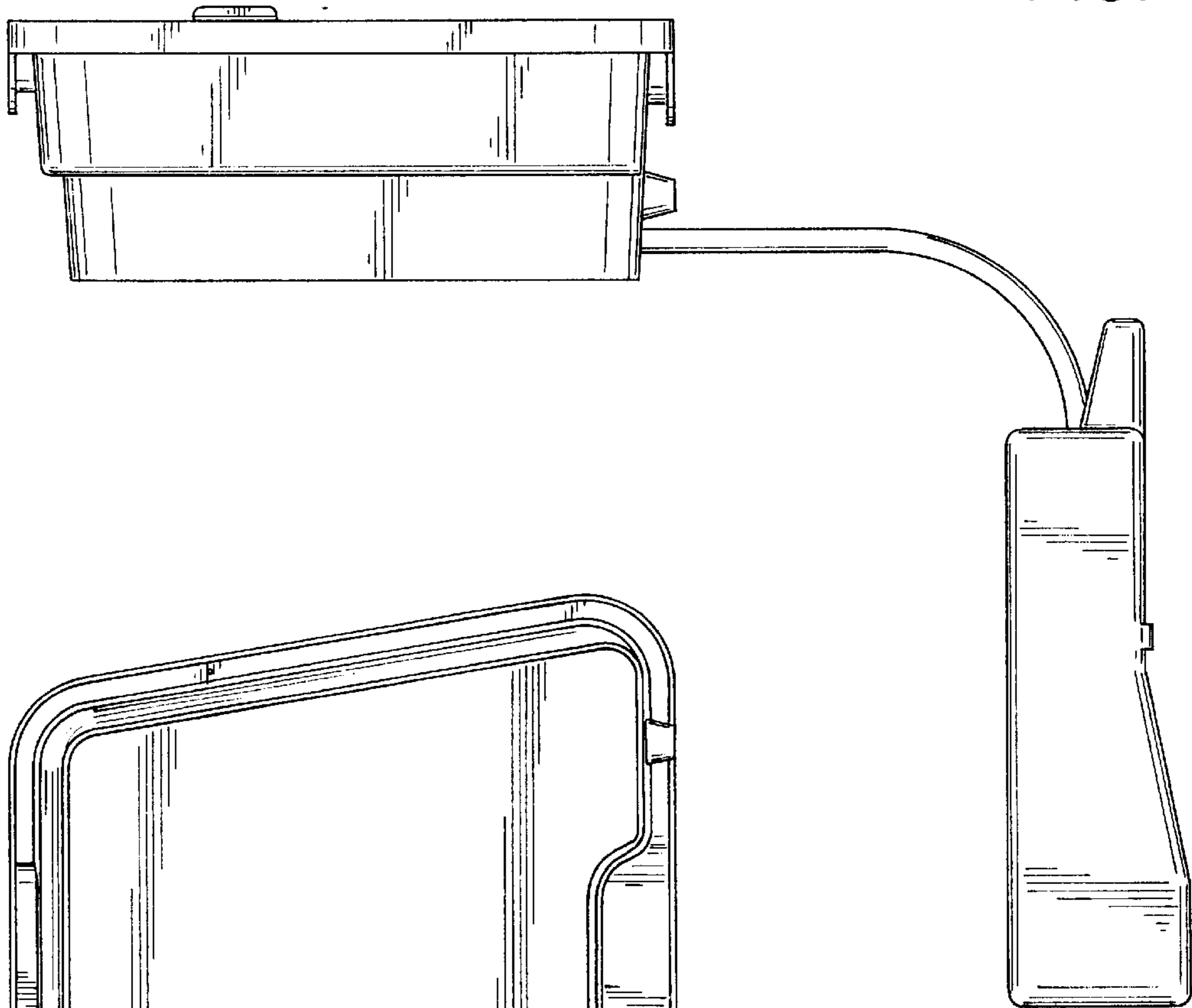


FIG. 5

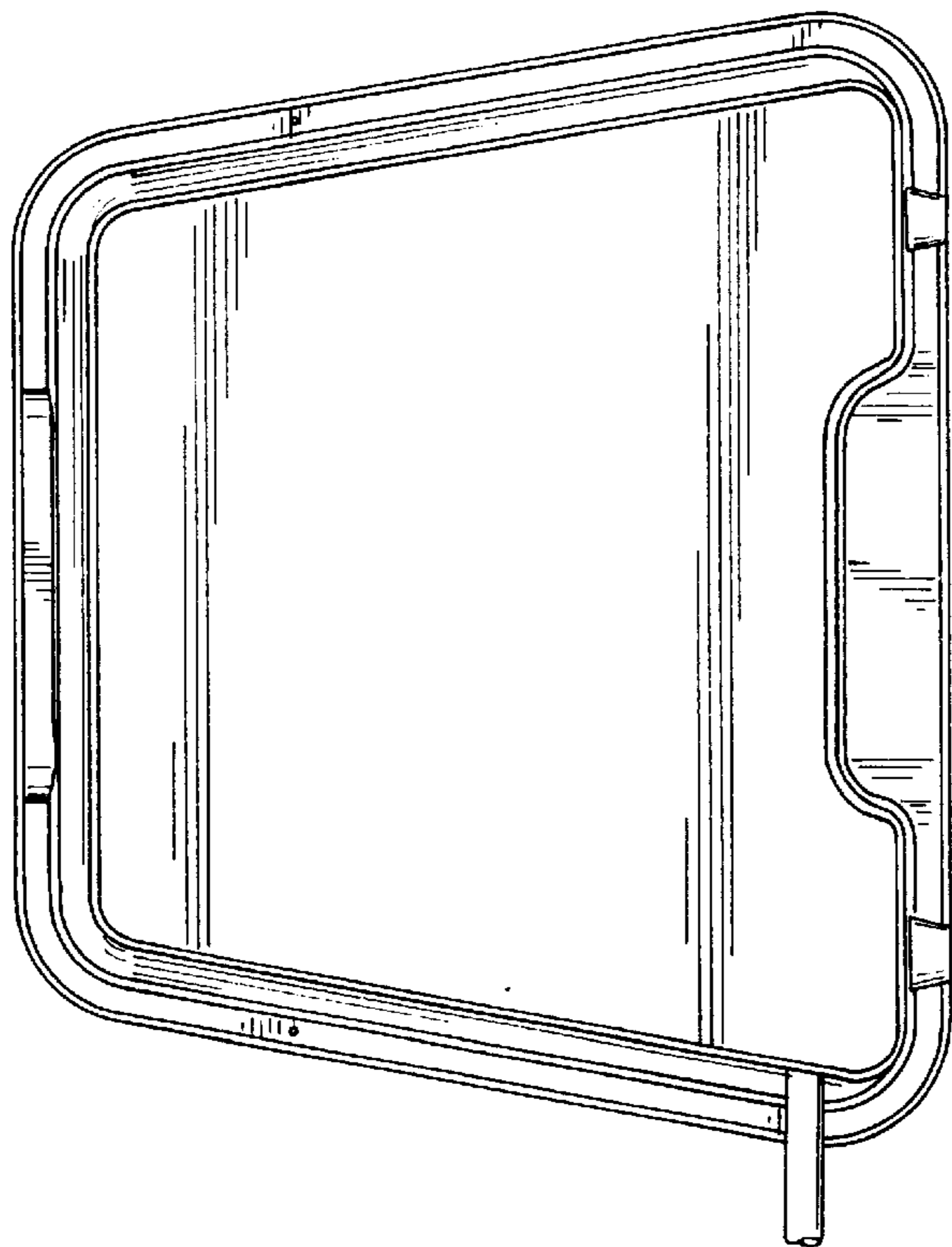
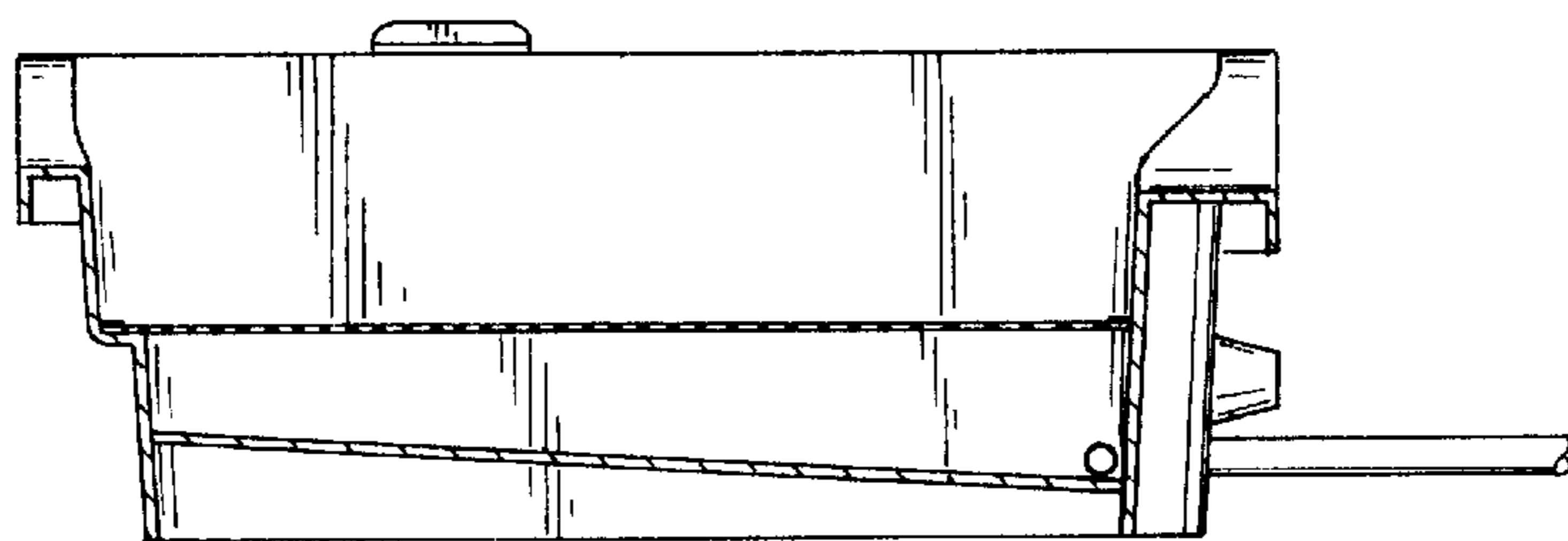


FIG. 9



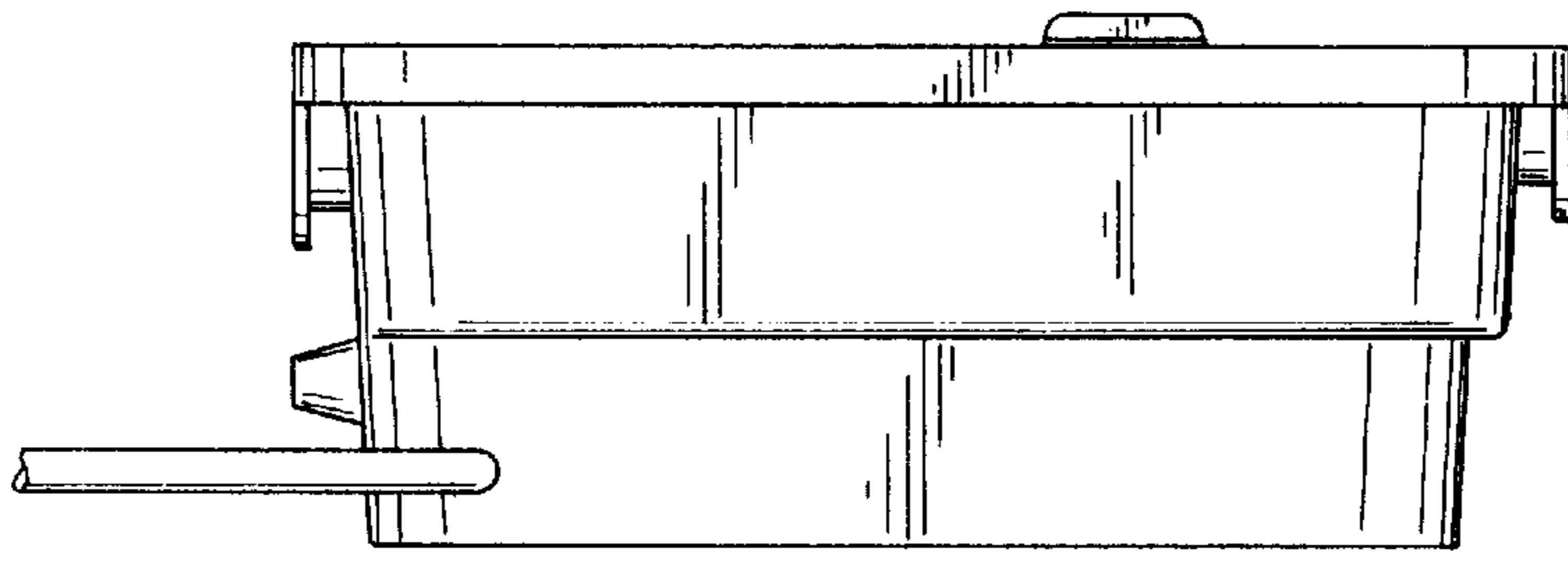


FIG. 6

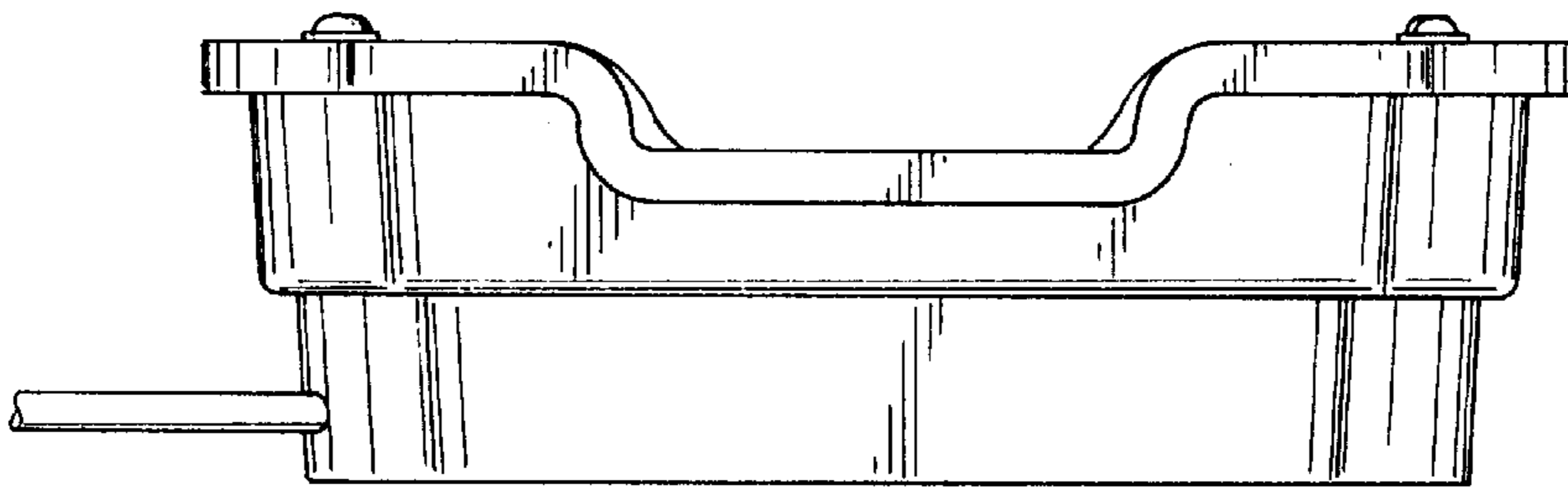


FIG. 7

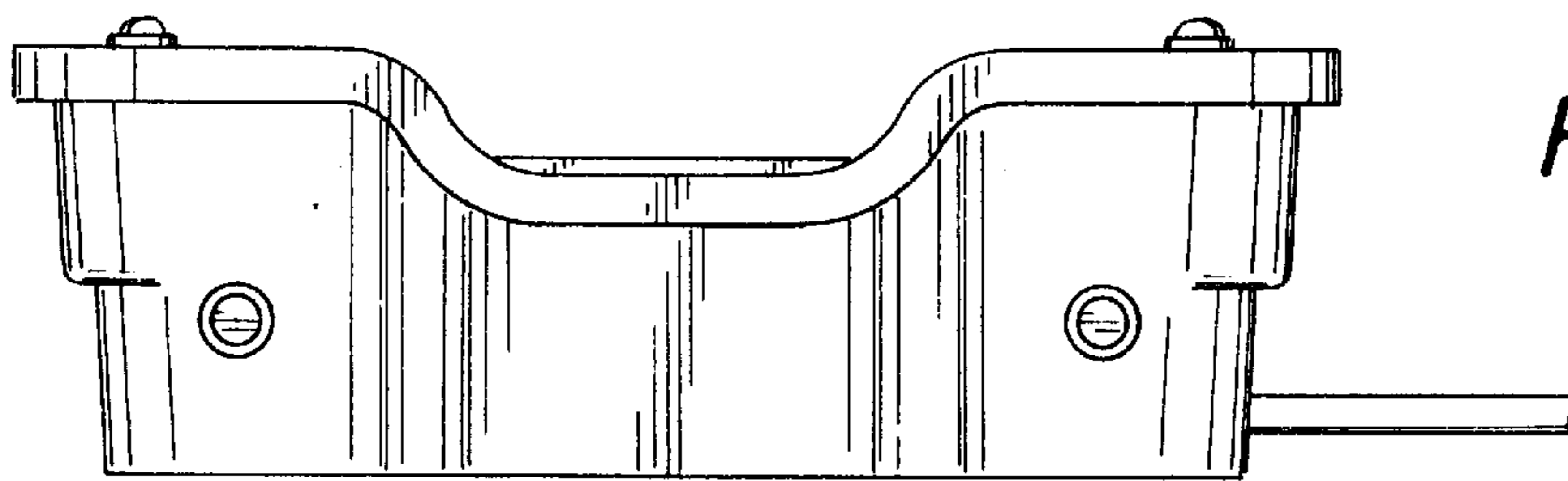


FIG. 8

FIG. 12

