



US00D398074S

United States Patent [19] Nosenchuck

[11] **Patent Number: Des. 398,074**

[45] **Date of Patent: **Sep. 8, 1998**

[54] **HAIR DRYER**

[75] Inventor: **Daniel M. Nosenchuck**, Mercerville, N.J.

[73] Assignee: **Soundesign, L.L.C.**, Mercerville, N.J.

[**] Term: **14 Years**

[21] Appl. No.: **76,781**

[22] Filed: **Sep. 19, 1997**

[51] **LOC (6) Cl.** **28-03**

[52] **U.S. Cl.** **D28/18; D28/13**

[58] **Field of Search** **D28/13-18; 34/96-98; 392/380, 383-385**

[56] **References Cited**

U.S. PATENT DOCUMENTS

D. 237,840	11/1975	Rawson	D28/13
D. 256,280	8/1980	Haase	D28/13
D. 258,014	1/1981	Lam	D28/13
D. 259,234	5/1981	Pfeil	D8/30
D. 268,369	3/1983	McBrien	D28/13
D. 272,194	1/1984	Suzuki	D28/16
D. 280,558	9/1985	Lazar et al.	D28/13
D. 281,360	11/1985	Wistrand	D28/13
D. 312,324	11/1990	Fromm	D28/13
D. 350,414	9/1994	Rizzuto, Jr.	D28/13
4,918,289	4/1990	Ohlsen et al.	392/379

FOREIGN PATENT DOCUMENTS

188985	8/1987	Japan	392/385
5130915	5/1993	Japan	.	

Primary Examiner—Sandra L. Morris
Assistant Examiner—C. Tuttle
Attorney, Agent, or Firm—David M. Quinlan, P.C.

[57] **CLAIM**

The ornamental design for a hair dryer, as shown and described.

DESCRIPTION

FIG. 1 is a perspective view showing the front of a hair dryer;
FIG. 2 is a perspective view showing the rear of the hair dryer shown in FIG. 1;
FIG. 3 is a side elevational view of the hair dryer depicted in FIG. 1;
FIG. 4 is a front elevational view of the hair dryer depicted in FIG. 1;
FIG. 5 is a rear elevational view of the hair dryer depicted in FIG. 1; and,
FIG. 6 is a top view of the hair dryer depicted in FIG. 1, a bottom view being identical to this top view.
The broken line showing of the handle is for illustrative purposes only and forms no part of the claimed design.

1 Claim, 5 Drawing Sheets

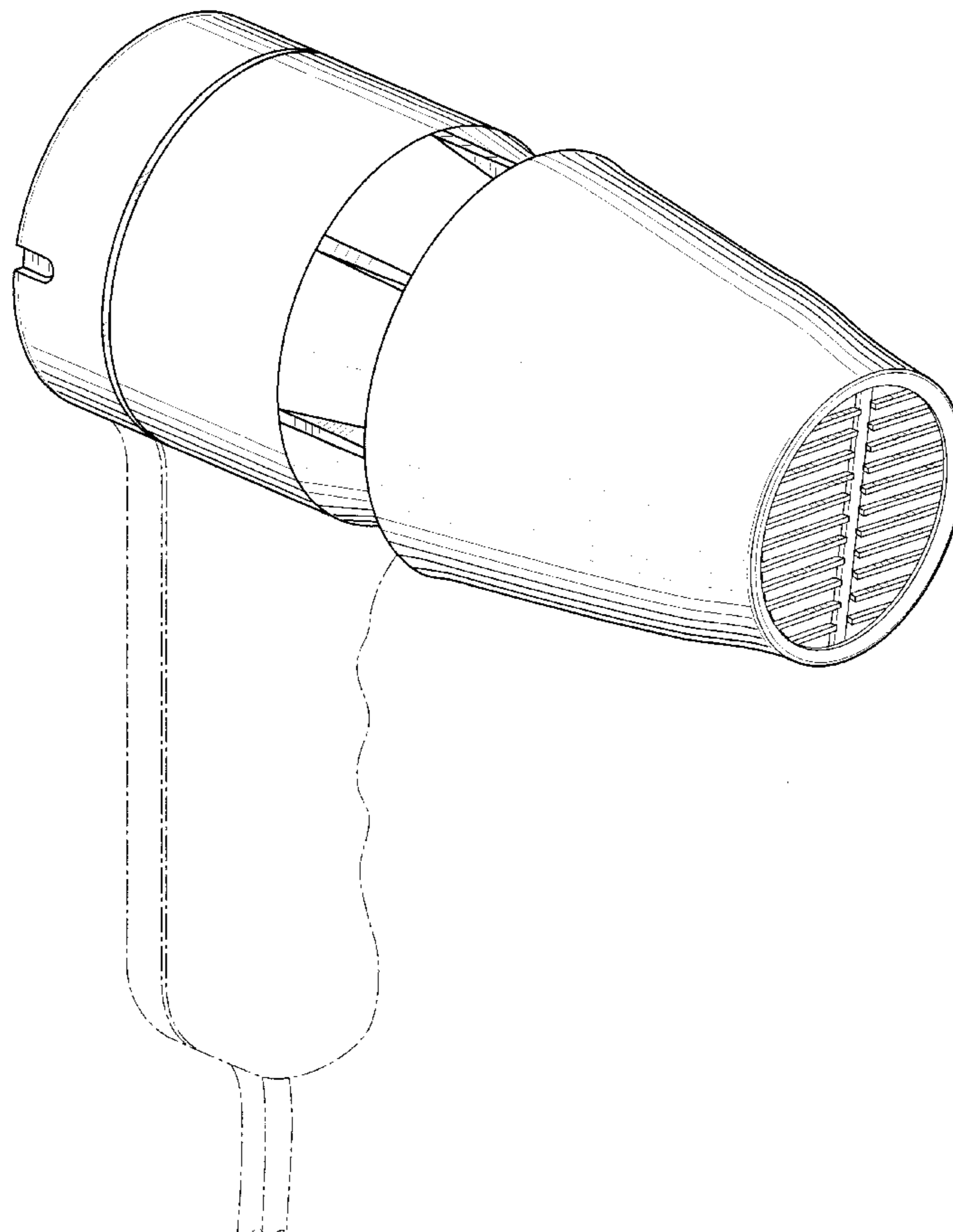


FIG. 1

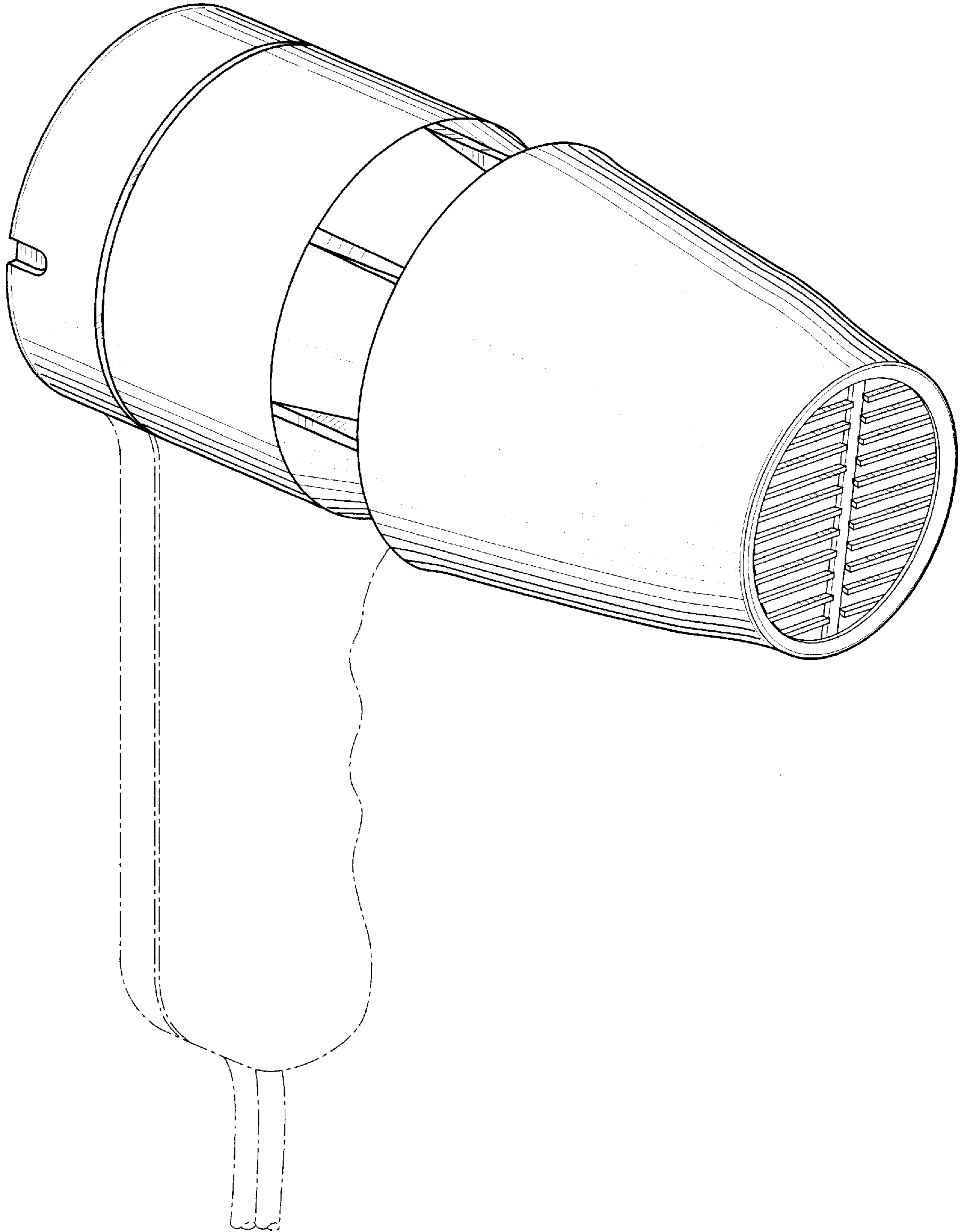
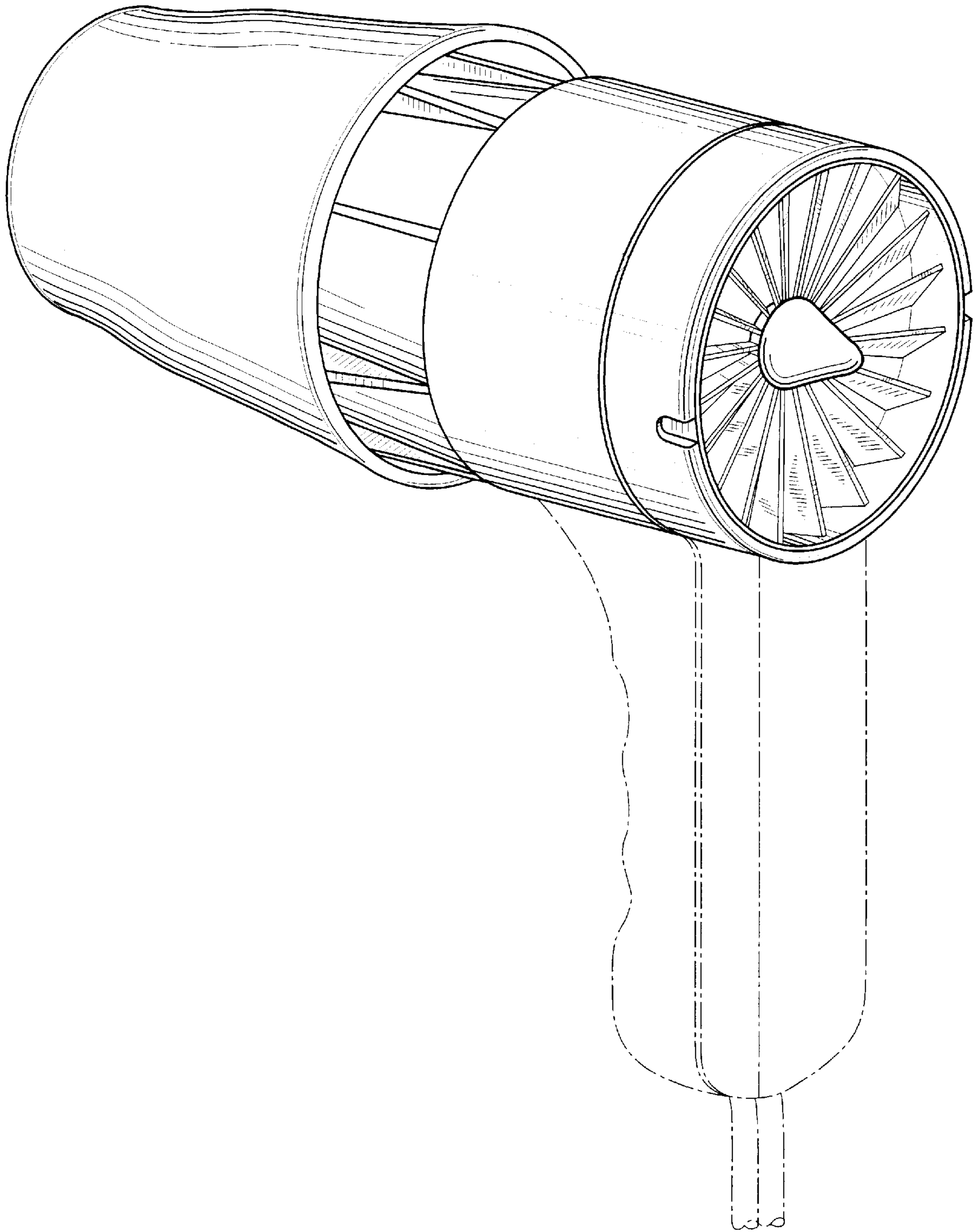


FIG. 2



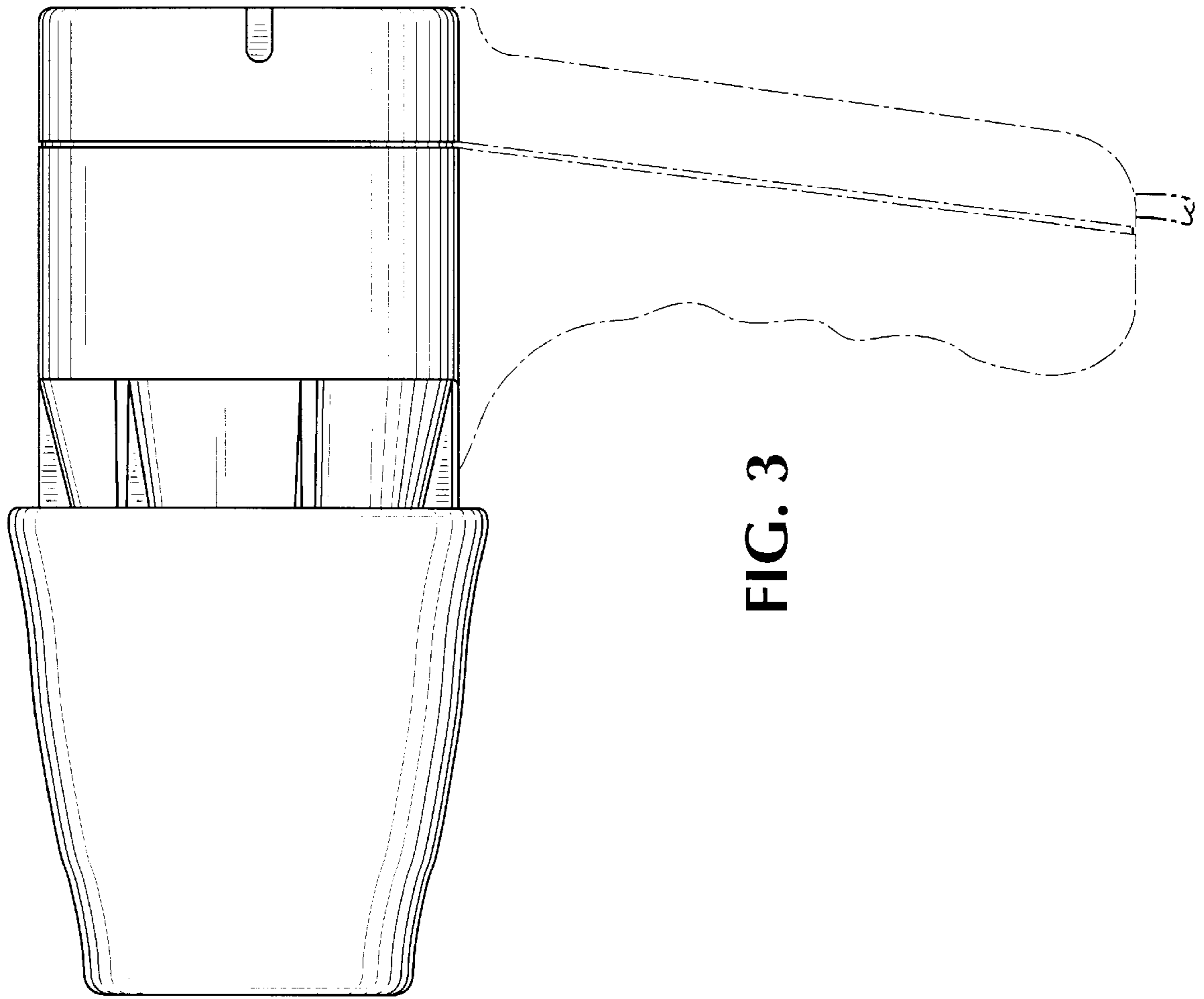


FIG. 3

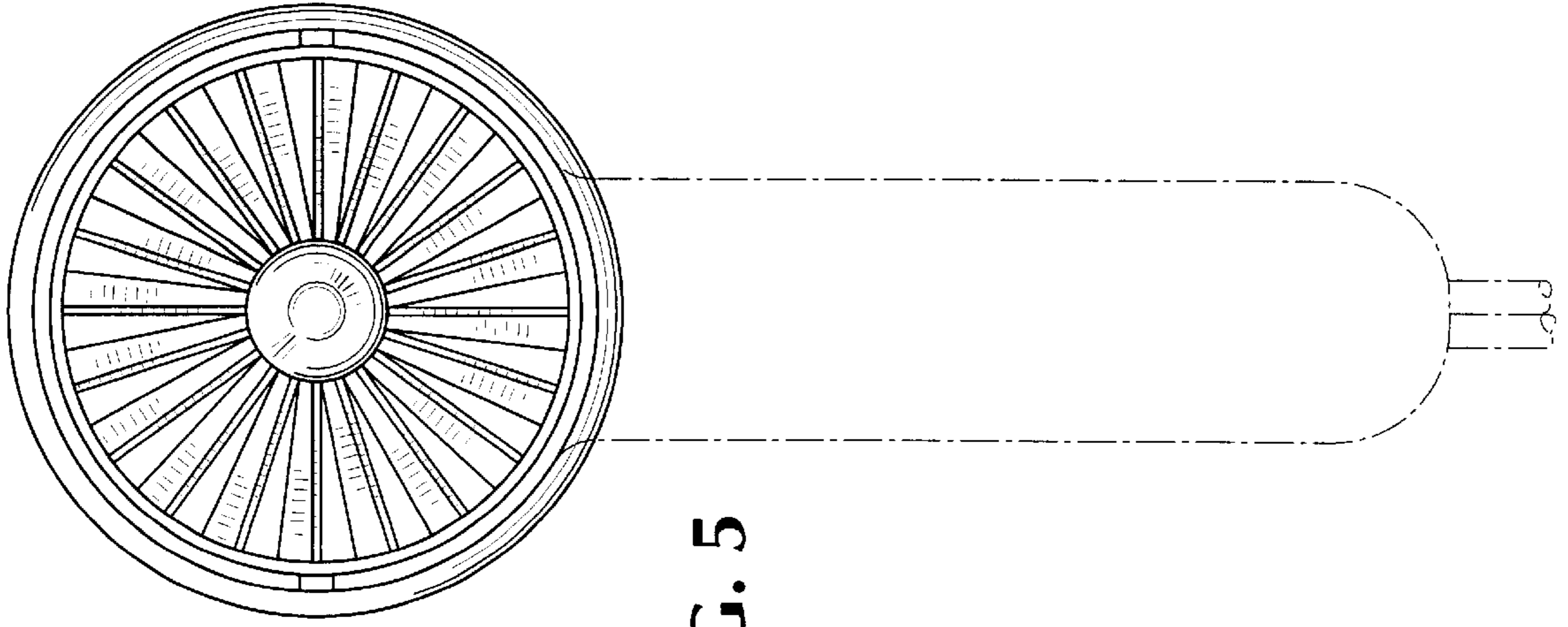


FIG. 5

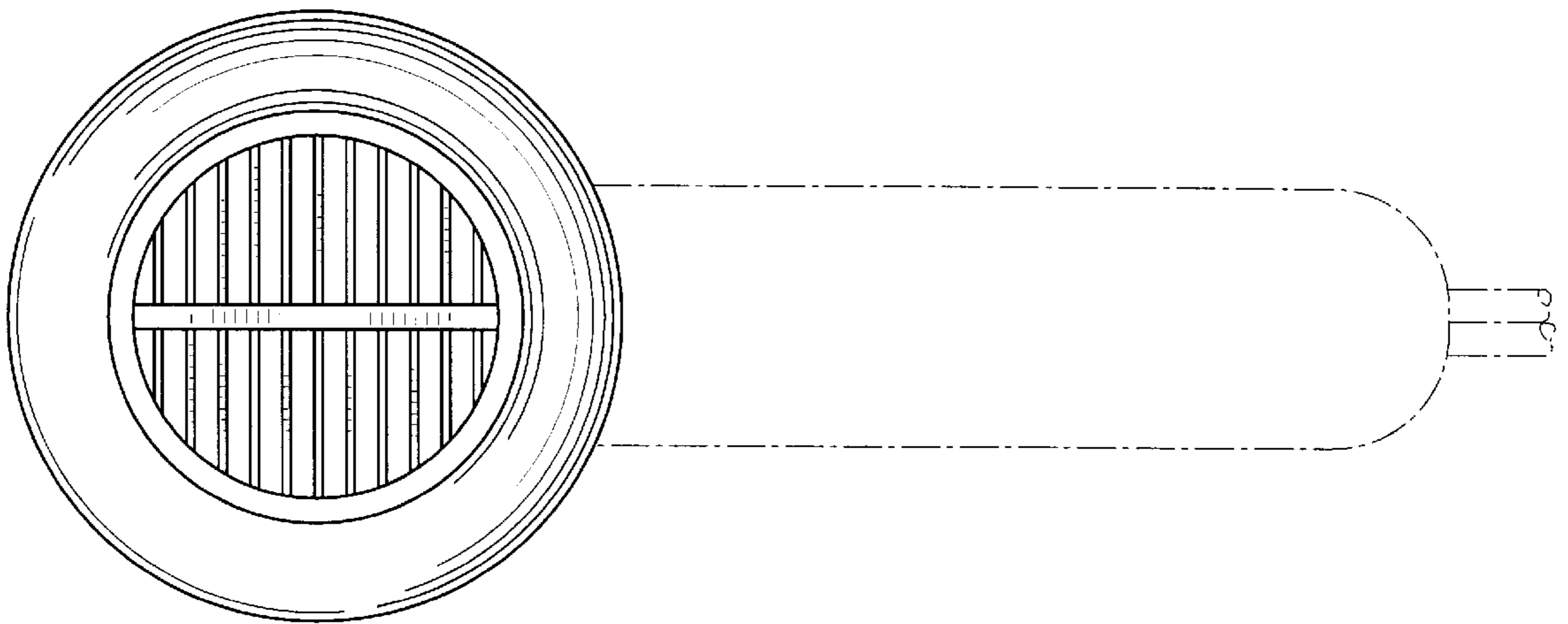


FIG. 4

FIG. 6

