



US00D398072S

# United States Patent [19] Singletary

[11] **Patent Number: Des. 398,072**

[45] **Date of Patent: \*\*Sep. 8, 1998**

[54] **CIGAR CUTTER**

1,269,593 6/1918 Fuller .  
1,294,479 2/1919 Kollmar ..... 30/113

[75] Inventor: **Julie Anne Singletary**, Los Angeles, Calif.

### OTHER PUBLICATIONS

The New Rage guillotine cigar cutter, FIGS. 1-3 included herewith.

[73] Assignee: **Dees Creations, Inc.**, Burbank, Calif.

*Primary Examiner*—Susan J. Lucas  
*Assistant Examiner*—Jennifer Rivard  
*Attorney, Agent, or Firm*—Michael Zarrabian

[\*\*] Term: **14 Years**

[21] Appl. No.: **73,640**

### [57] CLAIM

[22] Filed: **Jul. 12, 1997**

The ornamental design for a cigar cutter, as shown and described.

[51] **LOC (6) Cl.** ..... **27-99**

[52] **U.S. Cl.** ..... **D27/195; D27/154**

[58] **Field of Search** ..... 30/109, 110, 111, 30/112, 113; D27/195; 131/248, 253

### DESCRIPTION

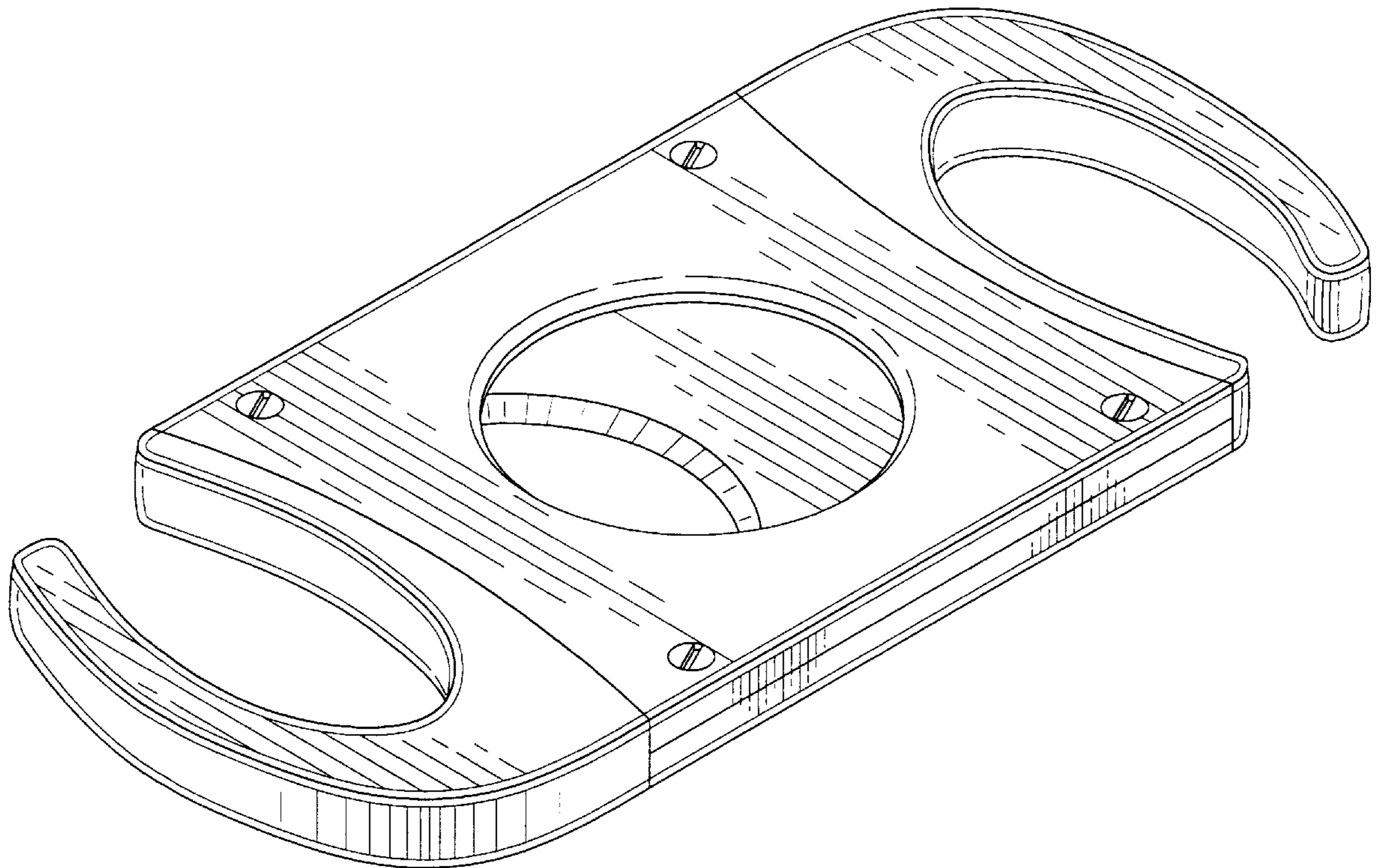
### [56] References Cited

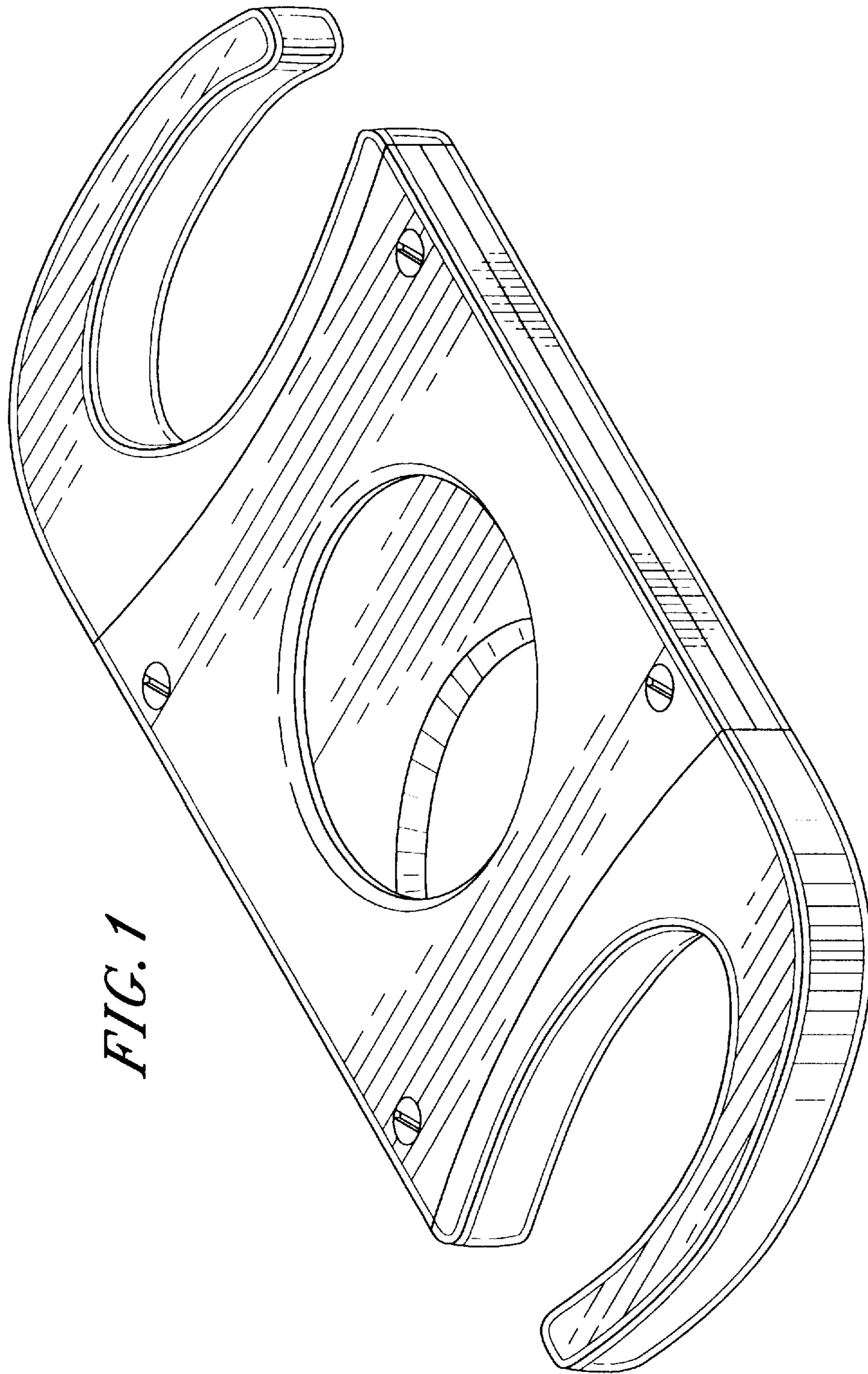
#### U.S. PATENT DOCUMENTS

324,281	8/1885	Veit .	
D. 375,576	11/1996	Mesco .....	D27/195
715,315	12/1902	Steinecke .	
835,912	11/1906	Obermayer .	
1,043,363	11/1912	Schickerling .	
1,166,881	1/1916	Anderson .	
1,199,784	10/1916	Hall .....	30/113

FIG. 1 is a perspective view of a cigar cutter according to the present invention in its fully closed position; FIG. 2 is a top view of the cigar cutter of FIG. 1; FIG. 3 is a side view of the cigar cutter of FIG. 1; FIG. 4 is a bottom view of the cigar cutter of FIG. 1; FIG. 5 is a side view of the cigar cutter of FIG. 4; FIG. 6 is an end view of the cigar cutter of FIG. 4; and, FIG. 7 is another end view of the cigar cutter of FIG. 4.

**1 Claim, 3 Drawing Sheets**





*FIG. 1*

FIG. 2

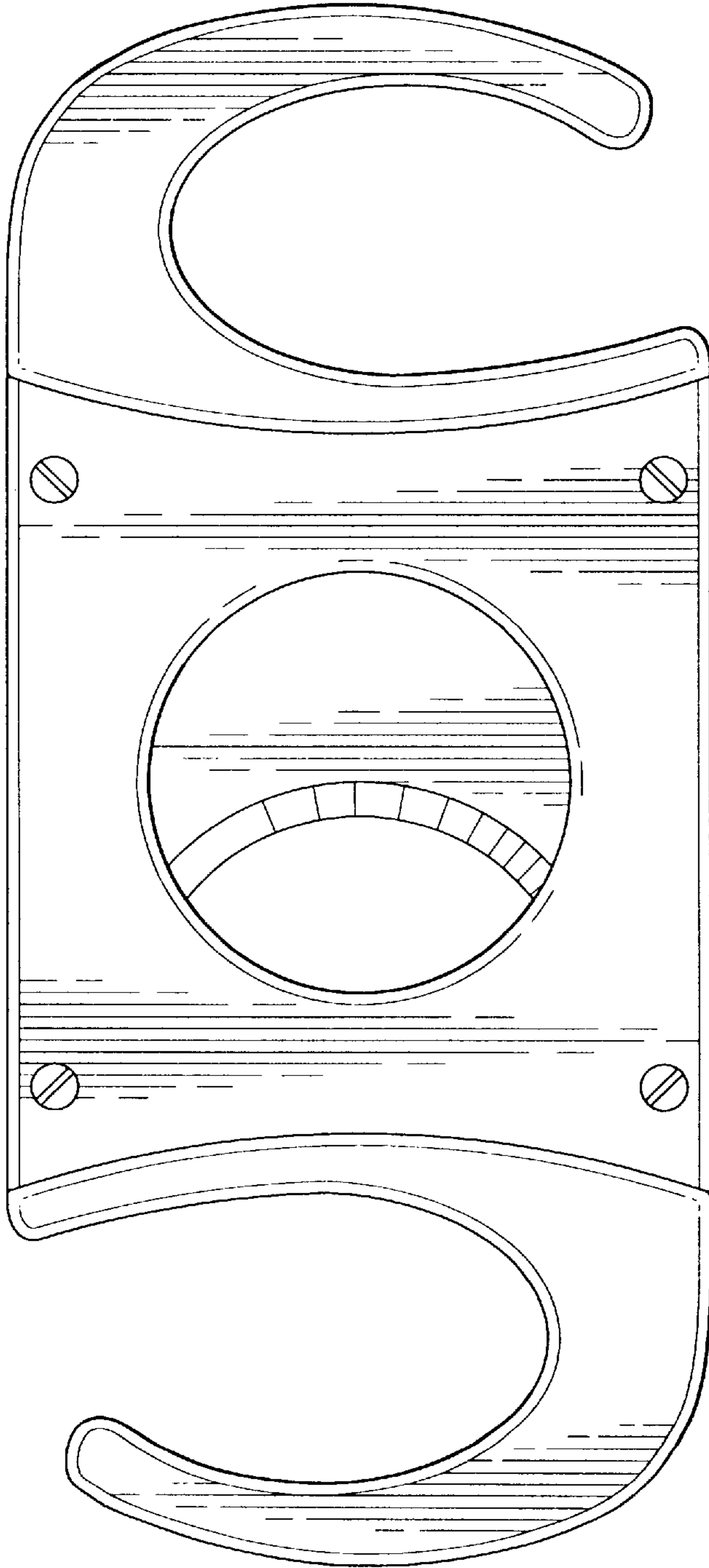


FIG. 3





FIG. 7

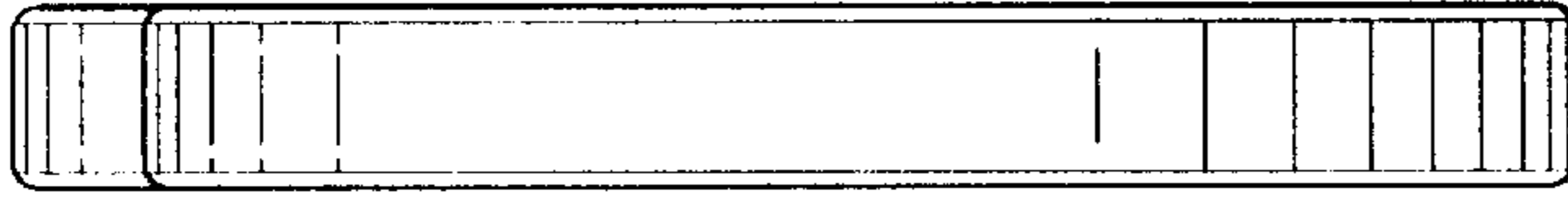


FIG. 4

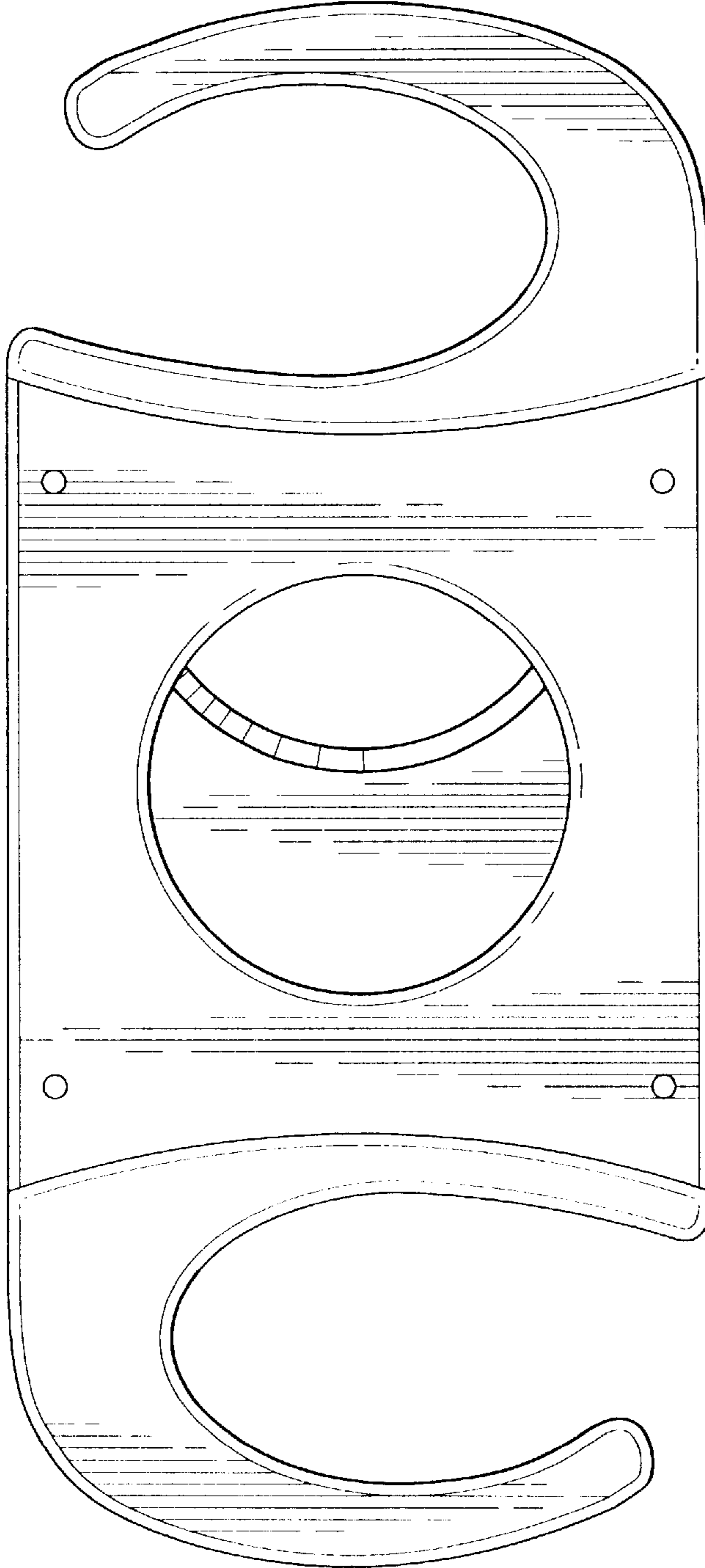


FIG. 6

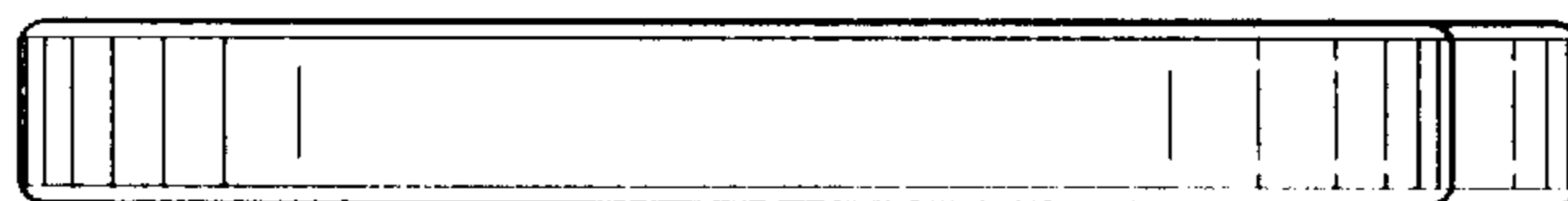


FIG. 5

