



US00D398070S

United States Patent [19]
von Kluck

[11] **Patent Number: Des. 398,070**

[45] **Date of Patent: **Sep. 8, 1998**

[54] **LIGHTING FIXTURE**

[75] Inventor: **Kevin von Kluck**, Hudson, Ohio

[73] Assignee: **The L. D. Kichler Co.**, Cleveland, Ohio

[**] Term: **14 Years**

[21] Appl. No.: **78,898**

[22] Filed: **Oct. 30, 1997**

[51] **LOC (6) Cl.** **26-05**

[52] **U.S. Cl.** **D26/84; D26/143**

[58] **Field of Search** **D26/72, 80-92, D26/140, 143, 138, 148, 157, 144; 362/147, 404-408**

[56] **References Cited**

U.S. PATENT DOCUMENTS

D. 381,451 7/1997 Hsu D26/84

OTHER PUBLICATIONS

Mansion Lighting catalog, p. 6, chandelier #2035/6, Aug. 1995.

Home Lighting and Accessories, p. 48, chandelier #116-4, Mar. 1996.

Primary Examiner—Susan J. Lucas
Attorney, Agent, or Firm—Watts, Hoffmann, Fisher & Heinke, Co., L.P.A.

[57] **CLAIM**

The ornamental design for a lighting fixture, as shown and described.

DESCRIPTION

FIG. 1 is a perspective view of a lighting fixture showing my new design;

FIG. 2 is a front elevational view of the lighting fixture, the rear elevational view being a mirror image;

FIG. 3 is a right side elevational view of the lighting fixture;

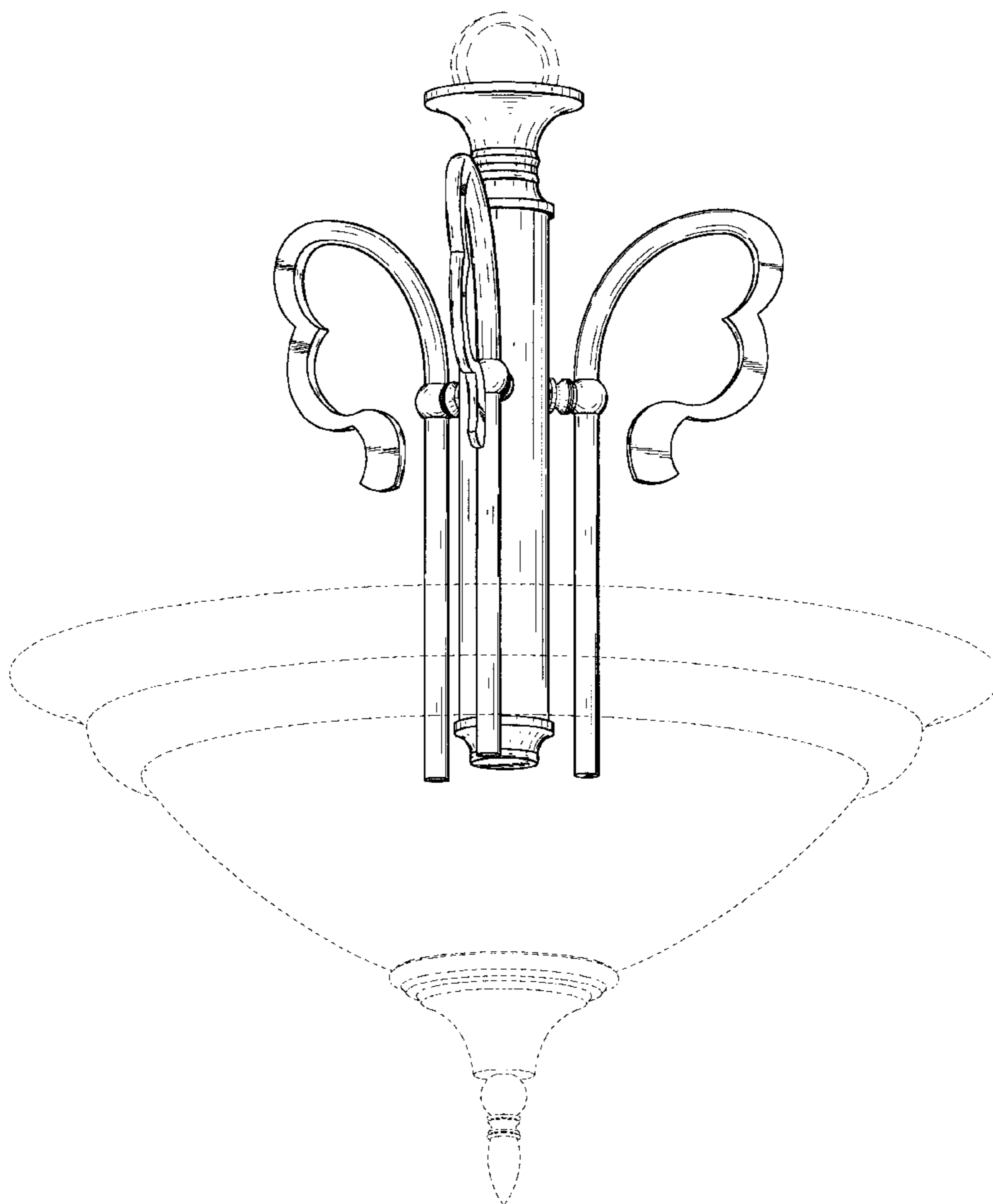
FIG. 4 is a left side elevational view of the lighting fixture;

FIG. 5 is a top plan view of the lighting fixture; and,

FIG. 6 is a bottom plan view of the lighting fixture.

The broken lines showing of the shade is for illustrative purposes only and forms no part of the claimed design.

1 Claim, 6 Drawing Sheets



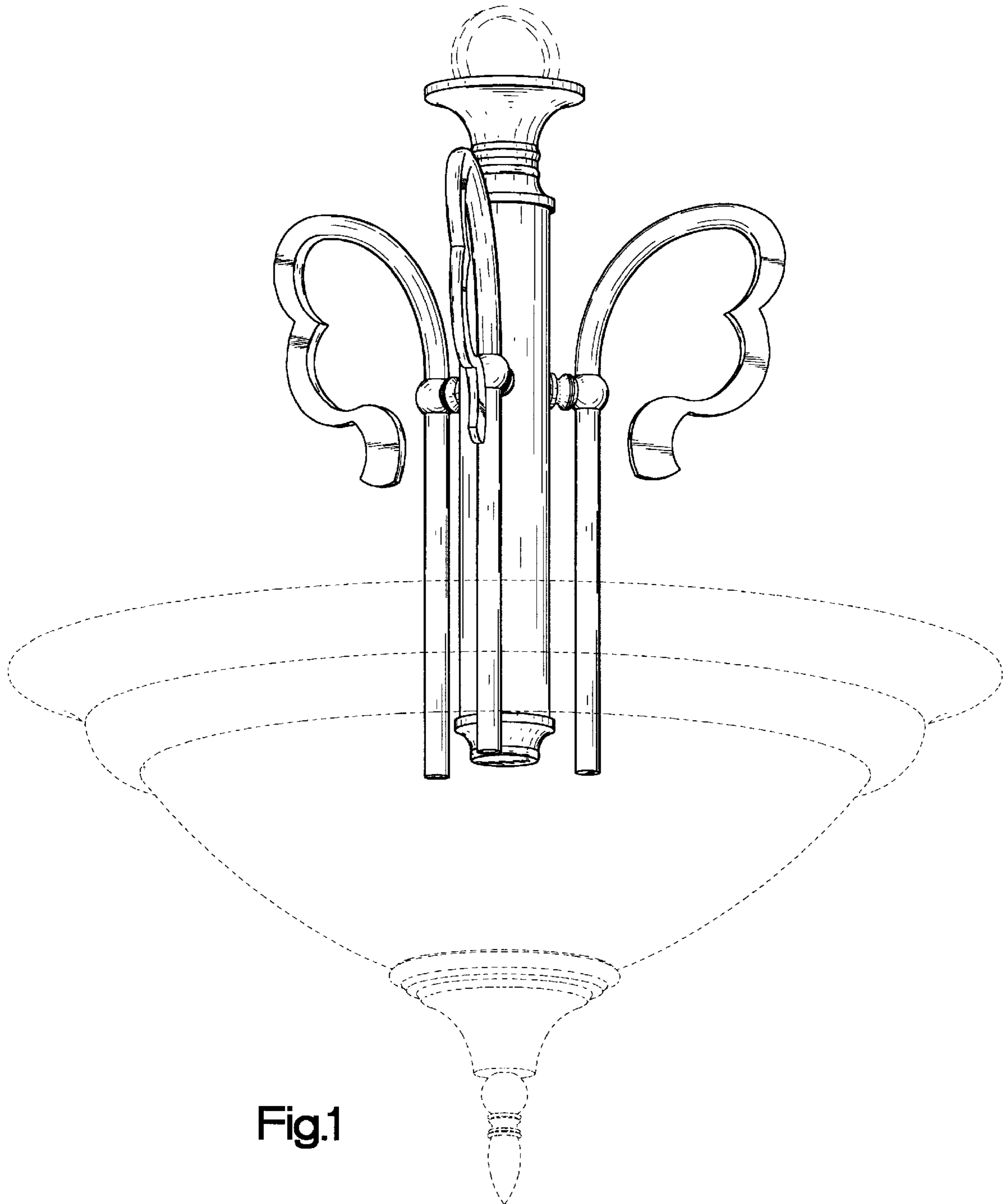


Fig.1

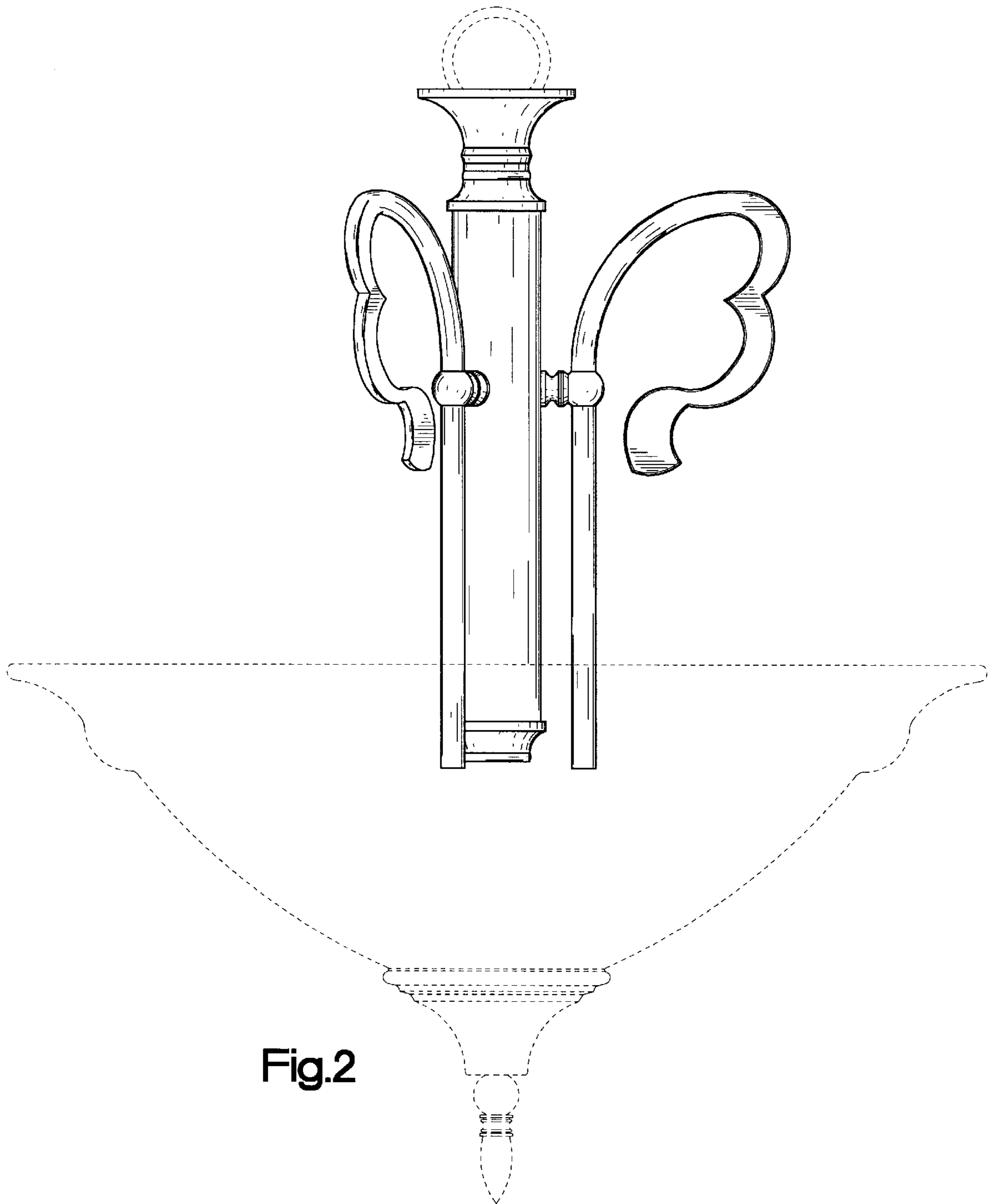


Fig. 2

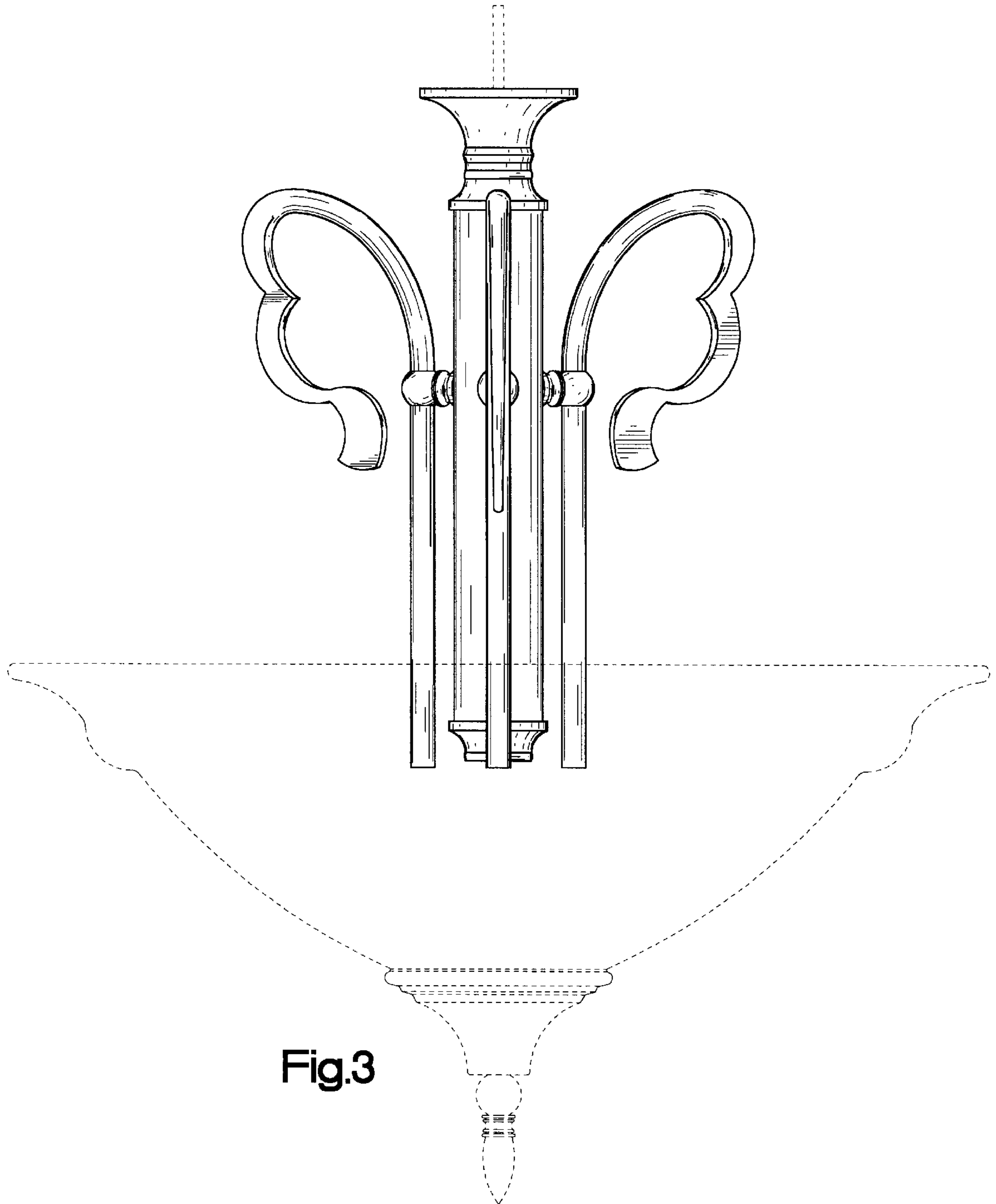


Fig.3

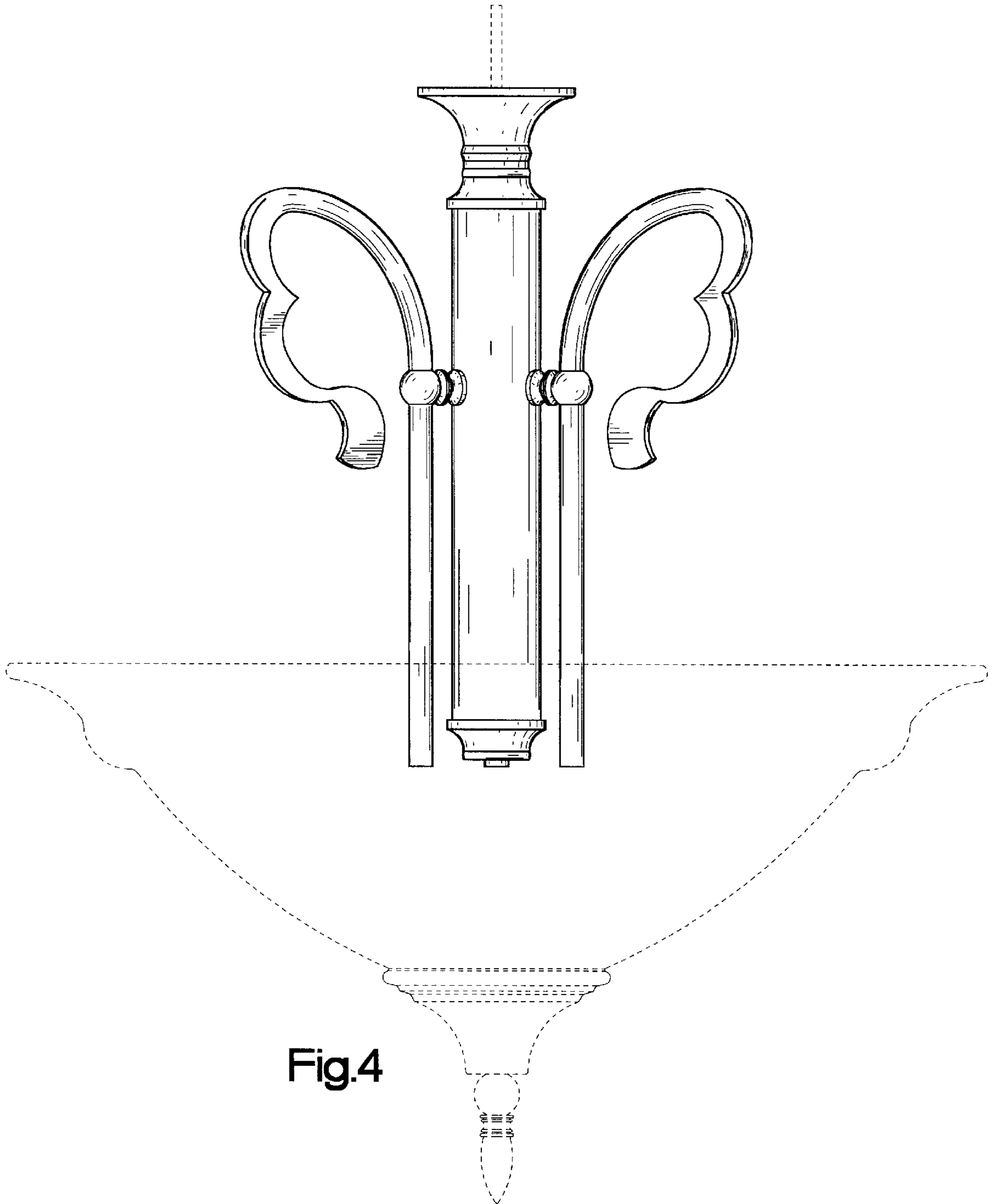


Fig.4

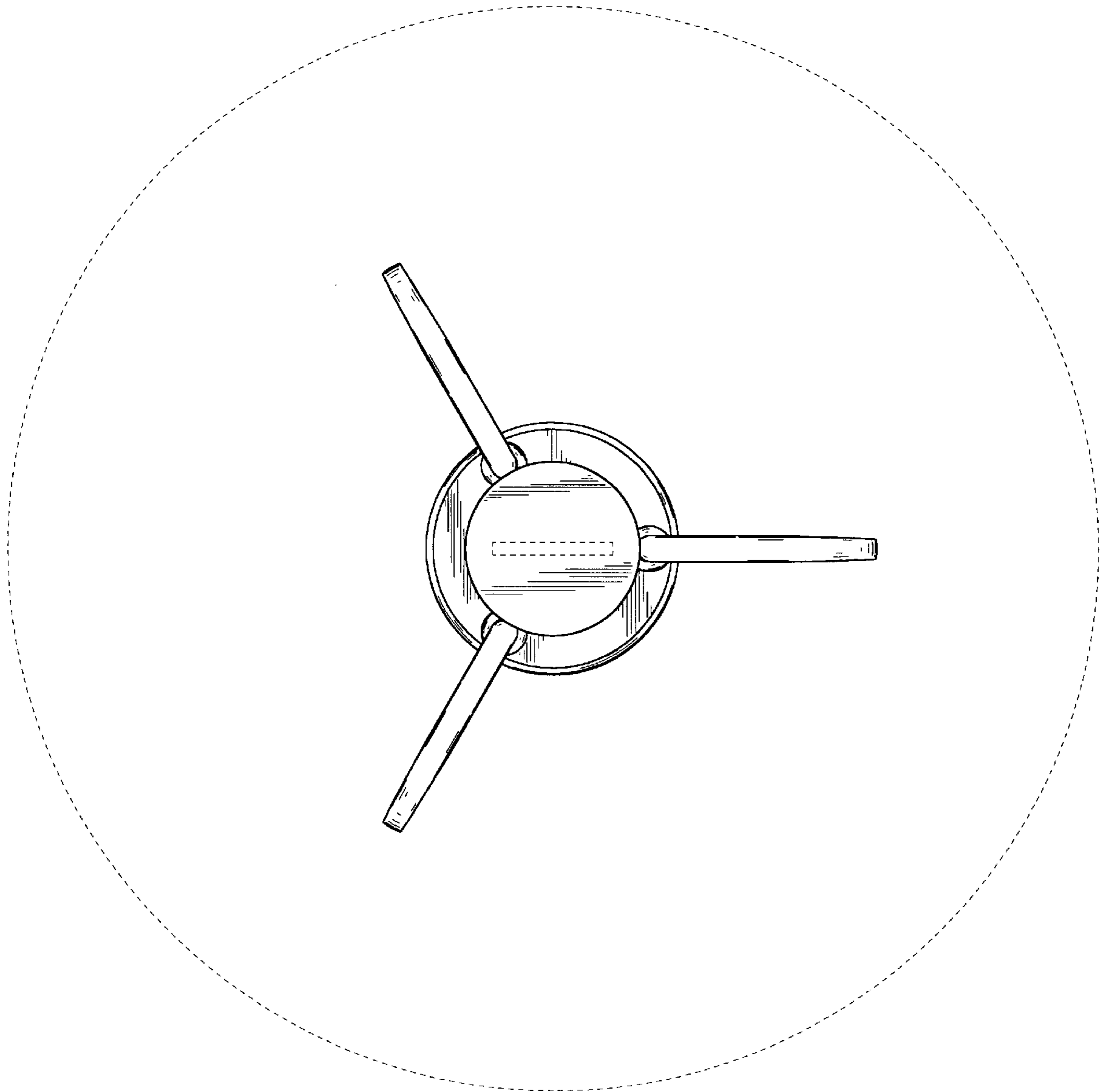


Fig.5

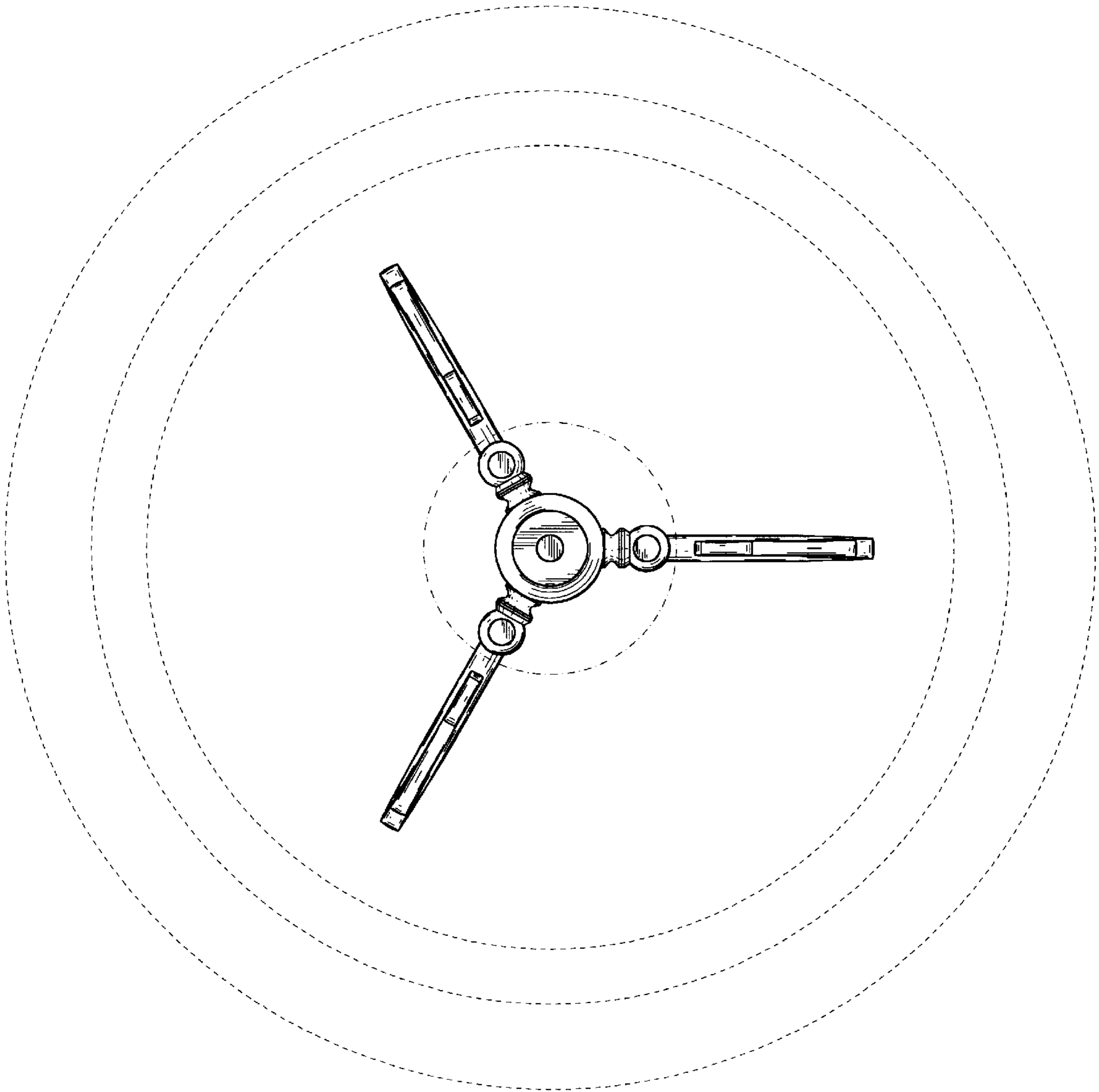


Fig.6