



US00D398069S

United States Patent [19]
Hammar

[11] **Patent Number: Des. 398,069**

[45] **Date of Patent: **Sep. 8, 1998**

[54] **CHANDELIER**

[75] Inventor: **Richard Hammar**, Mentor, Ohio

[73] Assignee: **The L.D. Kichler Co.**, Cleveland, Ohio

[**] Term: **14 Years**

[21] Appl. No.: **78,926**

[22] Filed: **Nov. 5, 1997**

[51] **LOC (6) Cl.** **26-05**

[52] **U.S. Cl.** **D26/81; D26/73; D26/143**

[58] **Field of Search** **D26/73, 72, 80-92, D26/140, 143, 148, 138, 156, 146, 147, 144; 362/147, 404-408**

[56] **References Cited**

U.S. PATENT DOCUMENTS

- D. 69,473 2/1926 Balk D26/81
- D. 73,481 9/1927 Boehringer D26/84

OTHER PUBLICATIONS

Corbett lighting catalog, p. 67, chandler #8310, Aug. 1995.
Home Lighting and Accessories, p. 51, chandelier, Mar. 1995.

Primary Examiner—Susan J. Lucas
Attorney, Agent, or Firm—Watts, Hoffmann, Fisher & Heinke, Co., L.P.A.

[57] **CLAIM**

I claim the ornamental design for a chandelier, as shown and described.

DESCRIPTION

FIG. 1 is a perspective view of the chandelier showing my new design;

FIG. 2 is a front elevational view of the chandelier, the rear elevational view being a mirror image;

FIG. 3 is a right side elevational view of the chandelier;

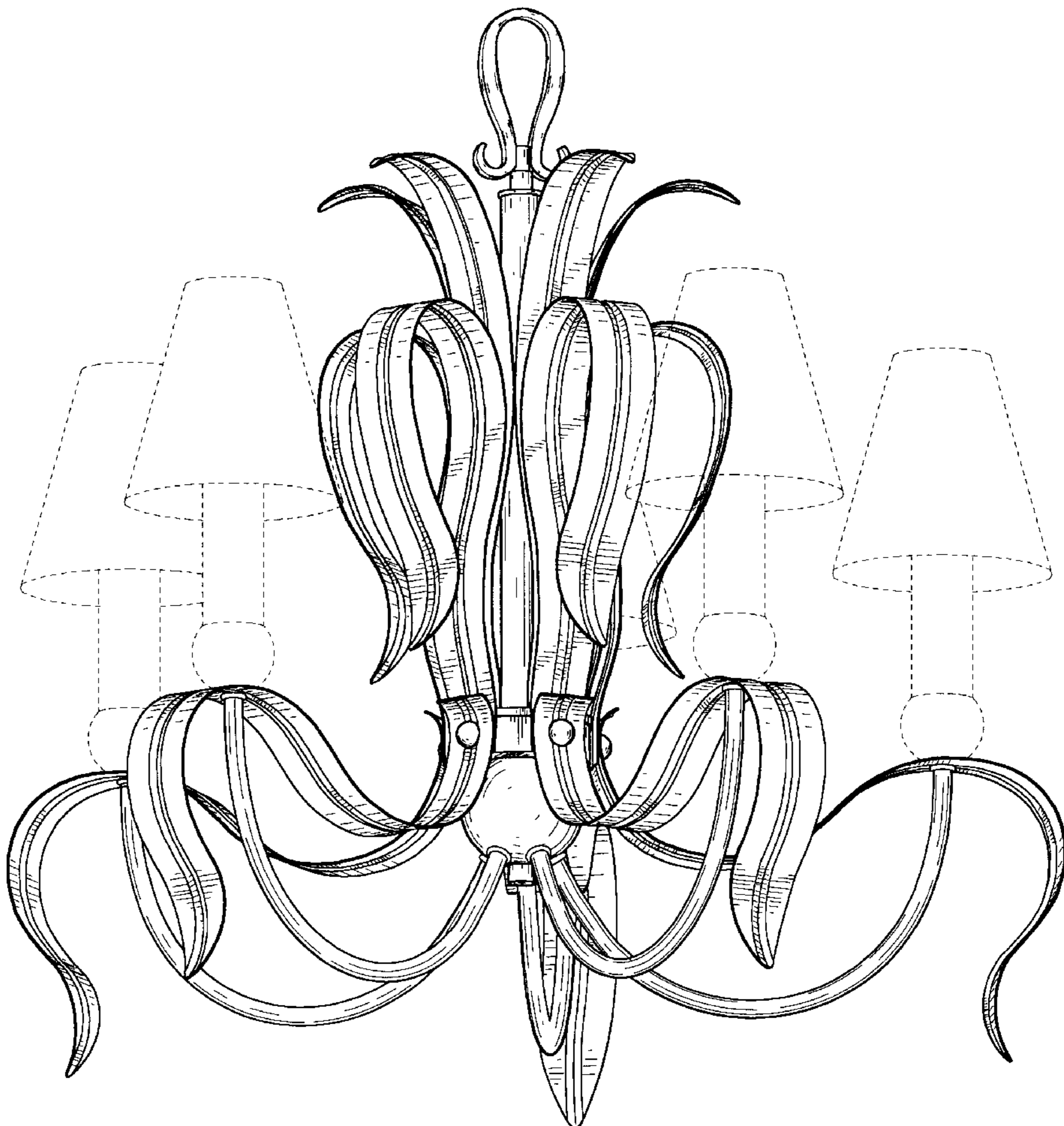
FIG. 4 is a left side elevational view of the chandelier;

FIG. 5 is a top plan view of the chandelier; and,

FIG. 6 is a bottom plan view of the chandelier.

The broken lines shown are for illustrative purposes only and forms no part of the claimed design.

1 Claim, 6 Drawing Sheets



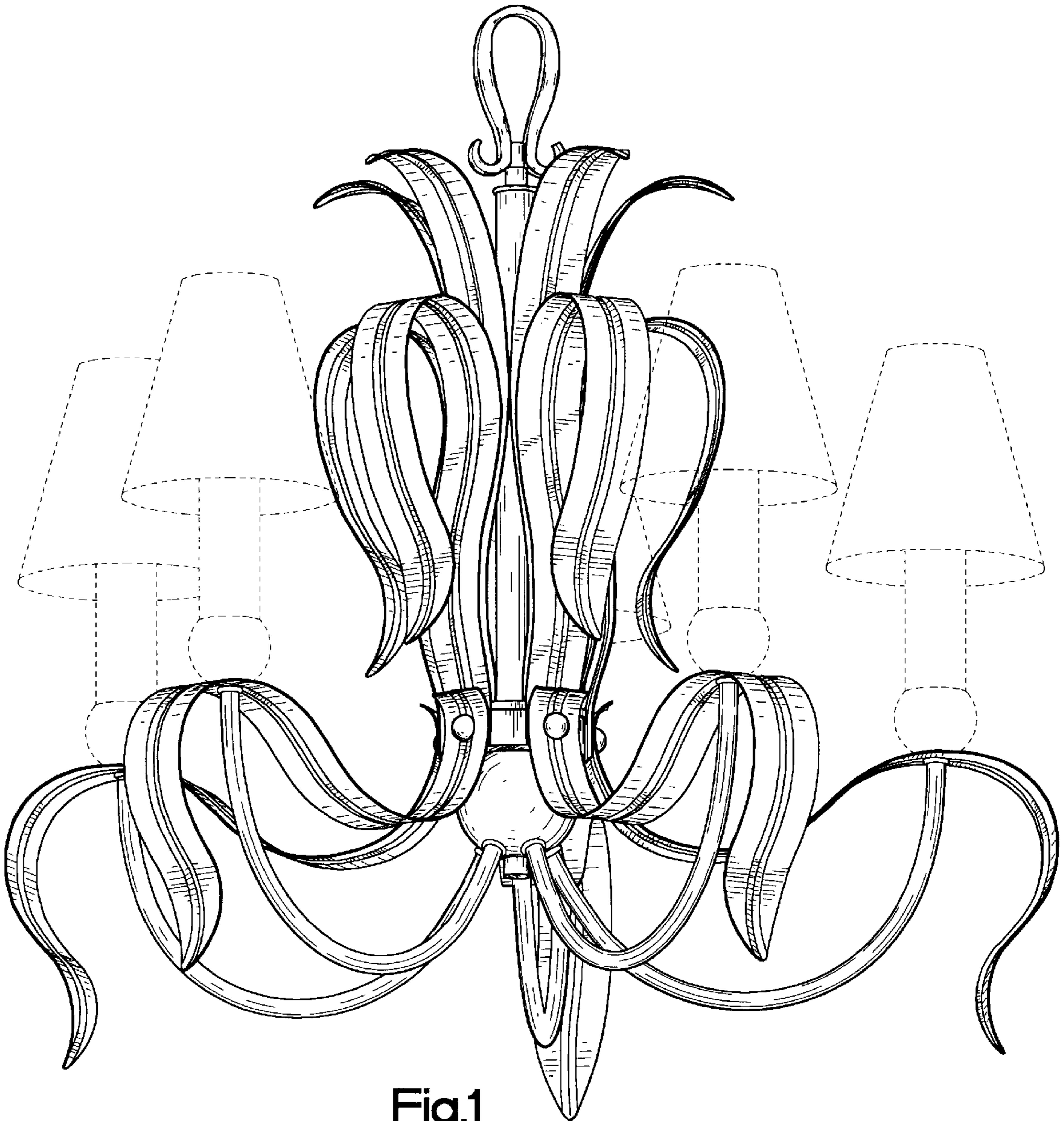


Fig.1

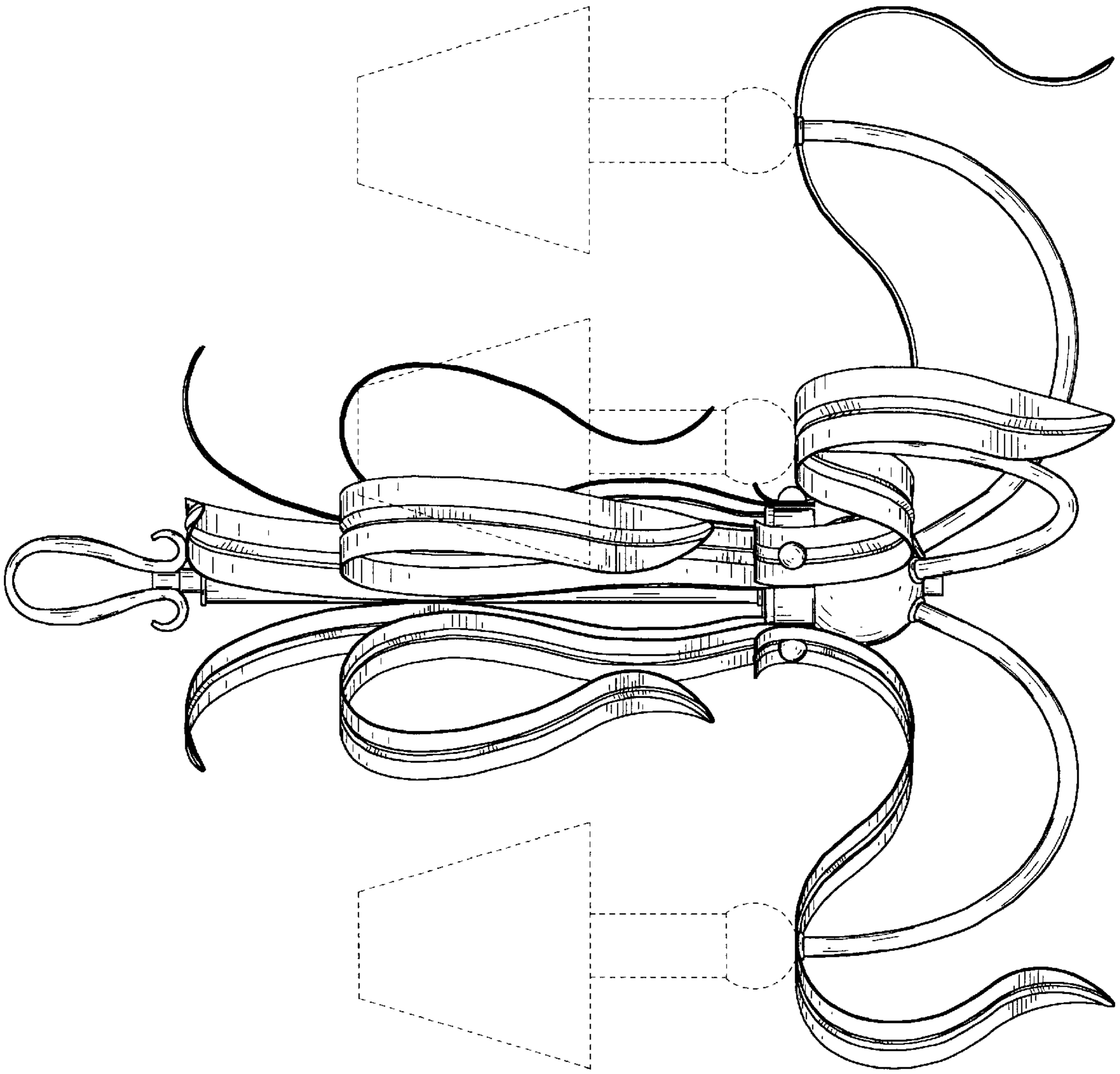


Fig.2

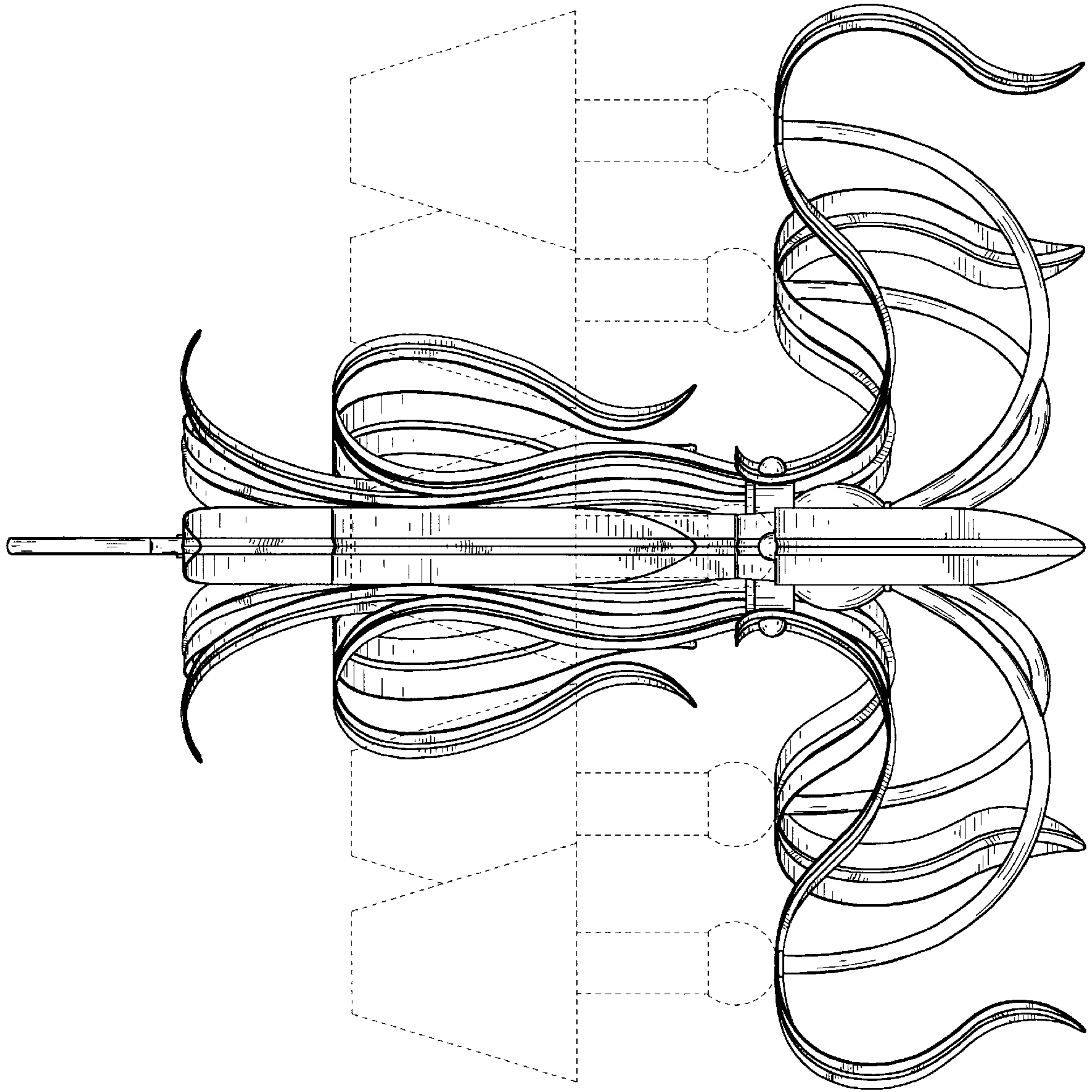


Fig.3

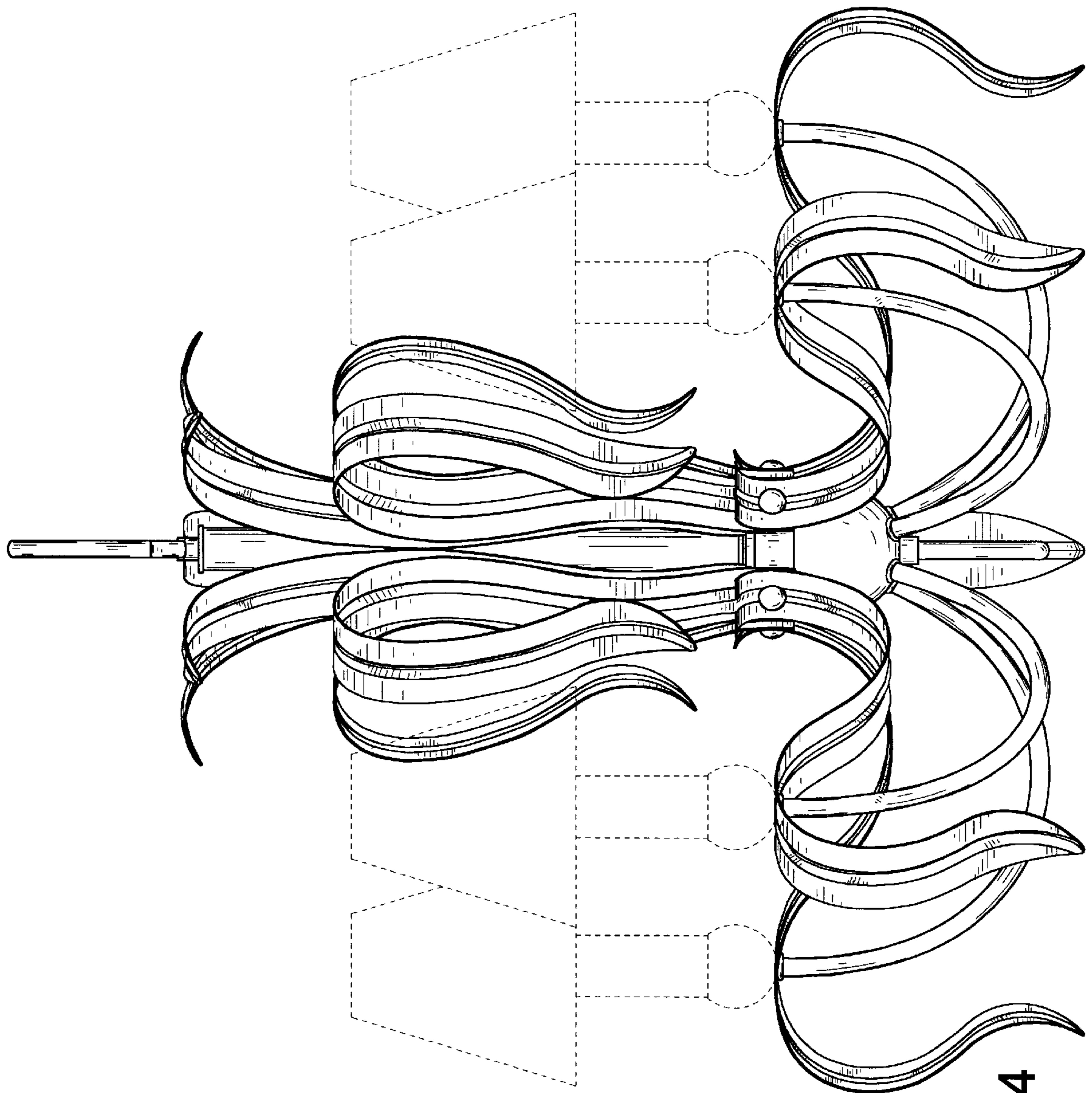


Fig.4

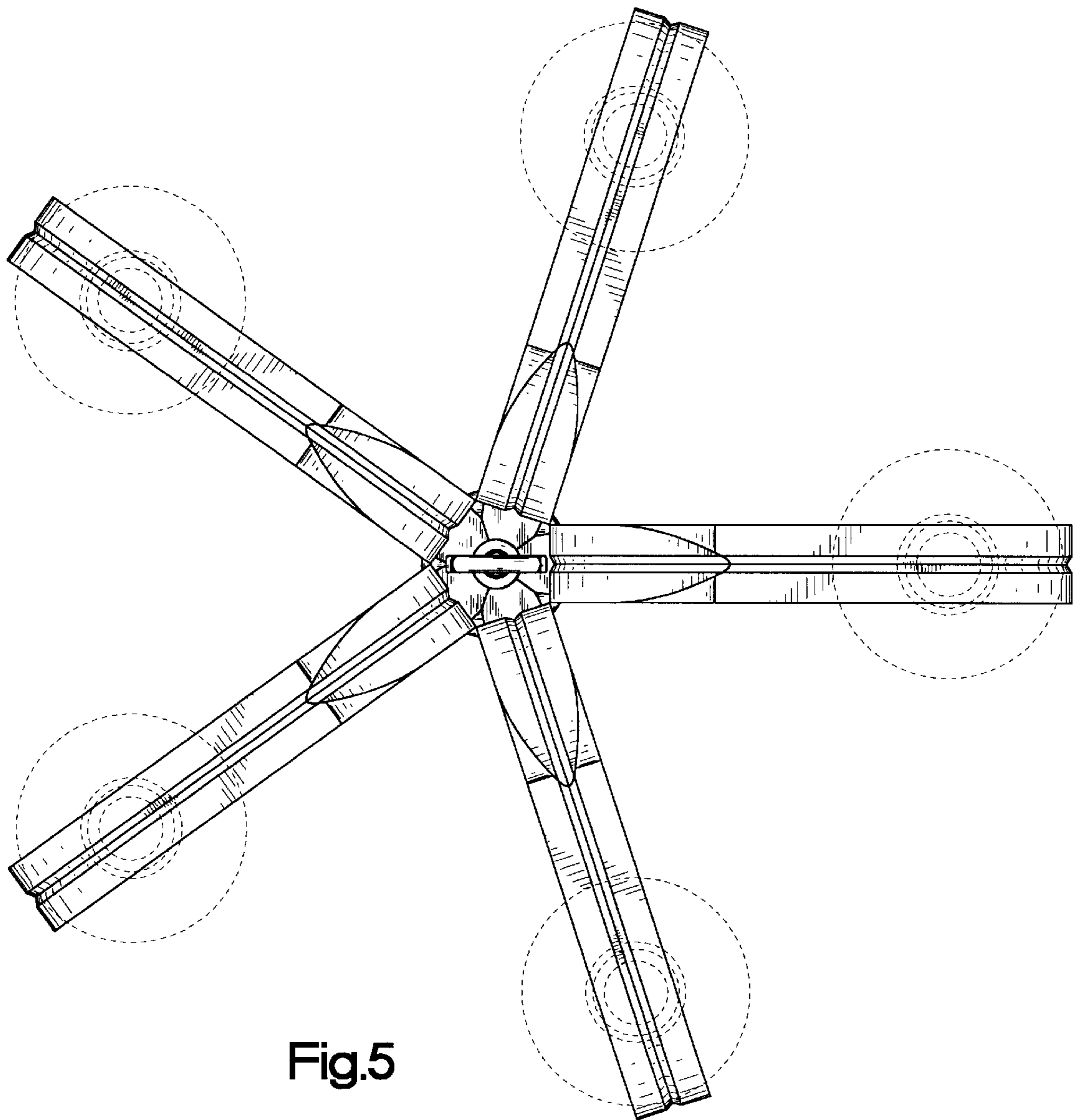


Fig.5

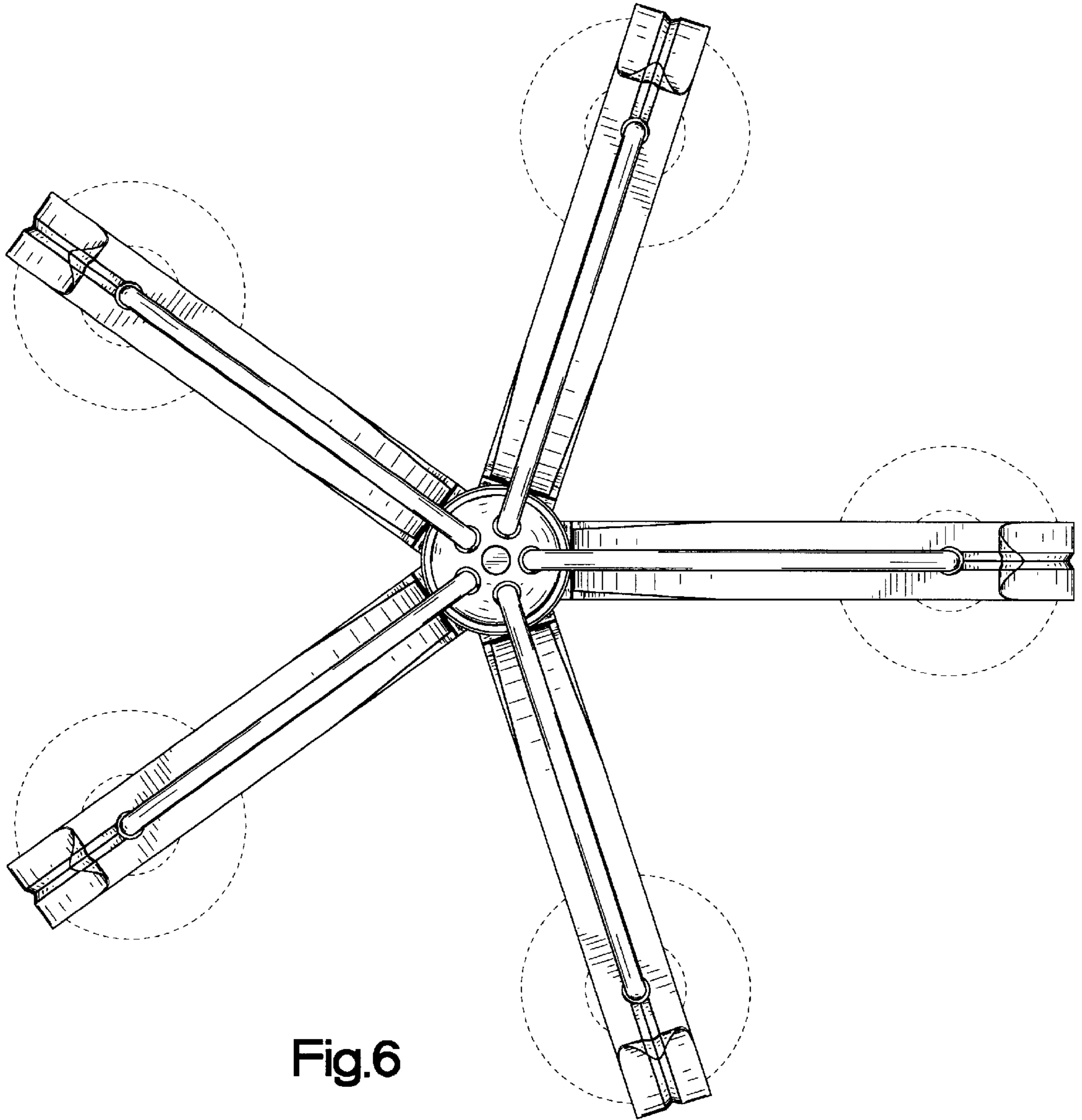


Fig.6