



US00D398068S

**United States Patent** [19]  
**Milicia**

[11] **Patent Number: Des. 398,068**

[45] **Date of Patent: \*\*Sep. 8, 1998**

[54] **LIGHTING FIXTURE**

OTHER PUBLICATIONS

[75] Inventor: **Libbe A. Milicia**, North Royalton, Ohio

Achla Design, catalog dated 1993–1994, p. 3, Triform III, printed U.S.A.

[73] Assignee: **The L. D. Kichler Co.**, Cleveland, Ohio

*Primary Examiner*—Susan J. Lucas  
*Attorney, Agent, or Firm*—Watts, Hoffmann, Fisher & Heinke, Co., L.P.A.

[\*\*] Term: **14 Years**

[57] **CLAIM**

[21] Appl. No.: **78,897**

I claim the ornamental design for a lighting fixture, as shown and described.

[22] Filed: **Oct. 30, 1997**

**DESCRIPTION**

[51] **LOC (6) Cl.** ..... **26-05**

[52] **U.S. Cl.** ..... **D26/81; D26/141**

[58] **Field of Search** ..... D26/72, 80–92,  
D26/143, 148, 138, 157, 140; 362/147,  
404–408

FIG. 1 is a perspective view of a lighting fixture showing my new design;

FIG. 2 is a front elevational view of the lighting fixture, the rear elevational view being identical;

FIG. 3 is a right side elevational view of the lighting fixture, the left side elevational view being identical;

FIG. 4 is a top plan view of the lighting fixture; and,

FIG. 5 is bottom plan view of the lighting fixture.

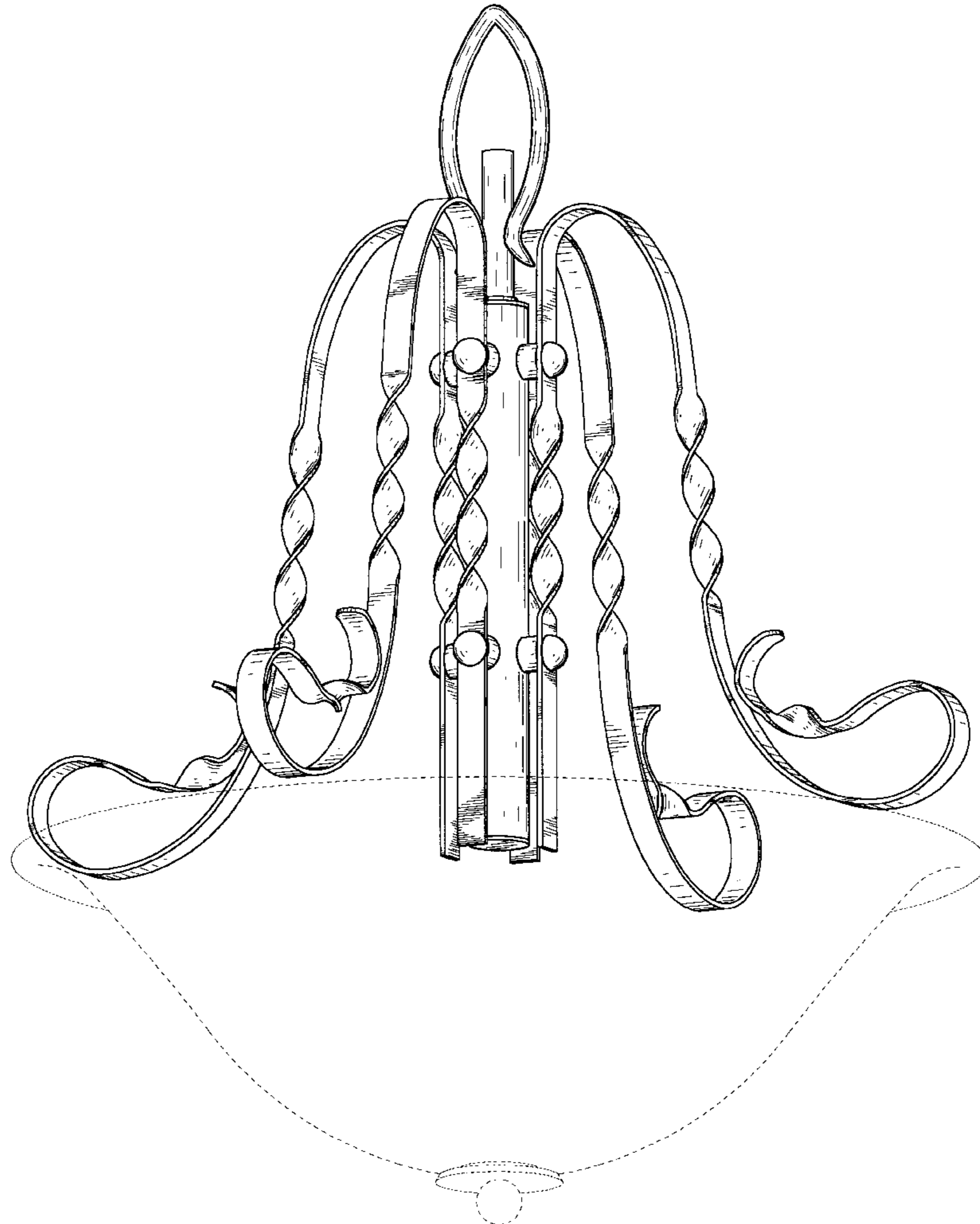
The broken lines showing of the shade is for illustrative purposes only and forms no part of the claimed design.

[56] **References Cited**

U.S. PATENT DOCUMENTS

D. 29,732	11/1898	Atwood	.....	D26/141
D. 65,169	7/1924	Crumley	.....	D26/81
D. 361,857	8/1995	Porter	.....	D26/81

**1 Claim, 5 Drawing Sheets**



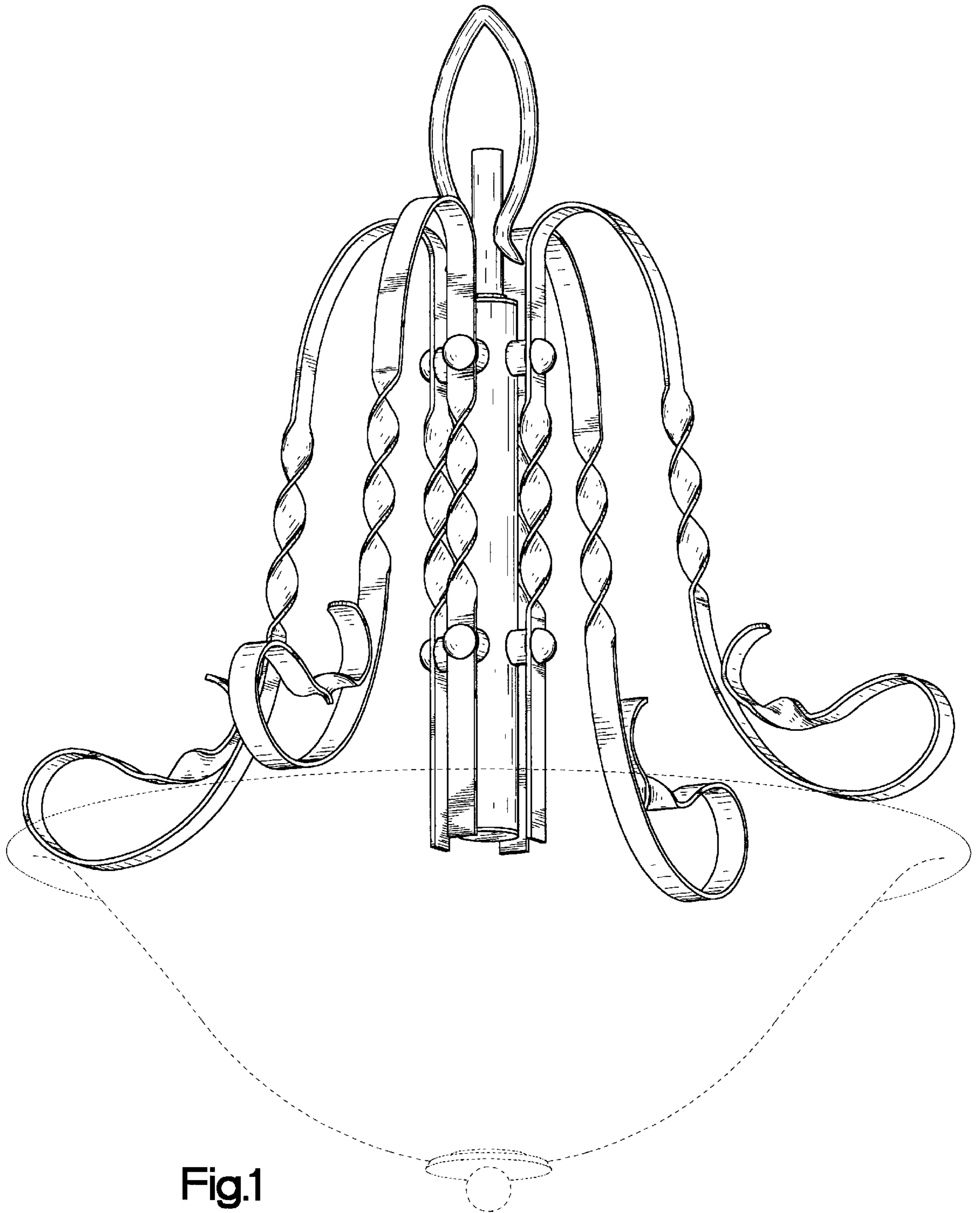


Fig.1

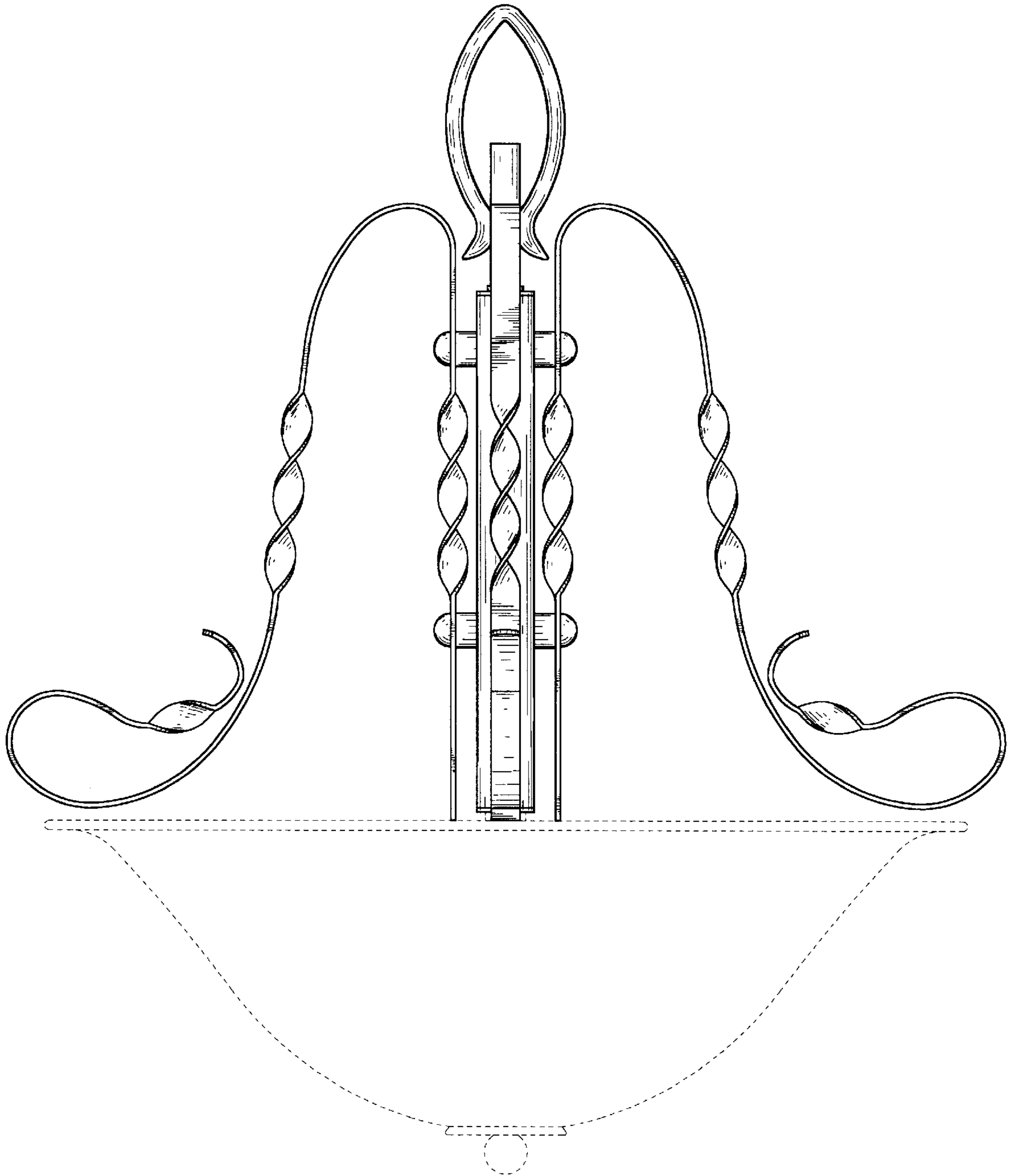


Fig.2

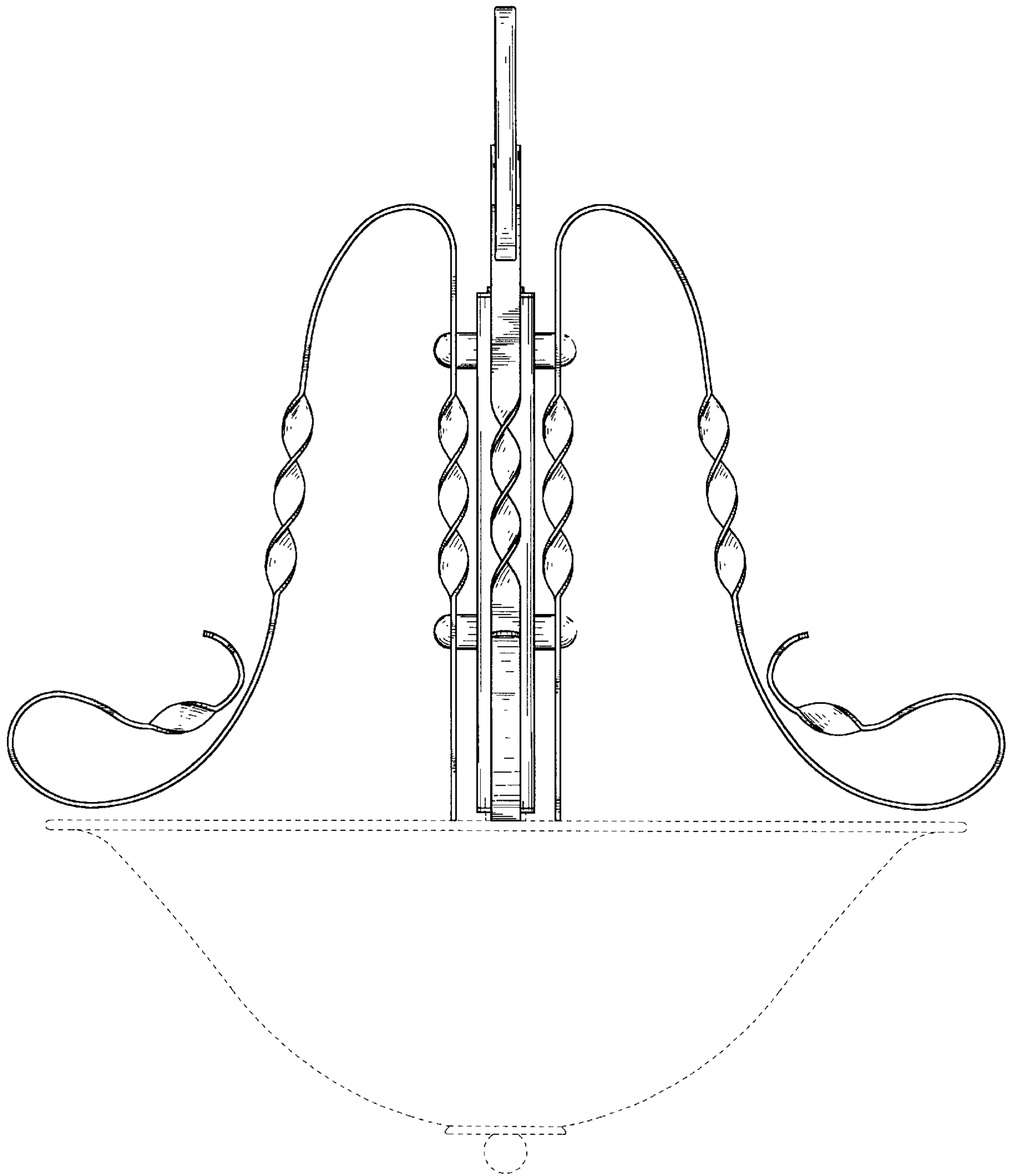


Fig.3

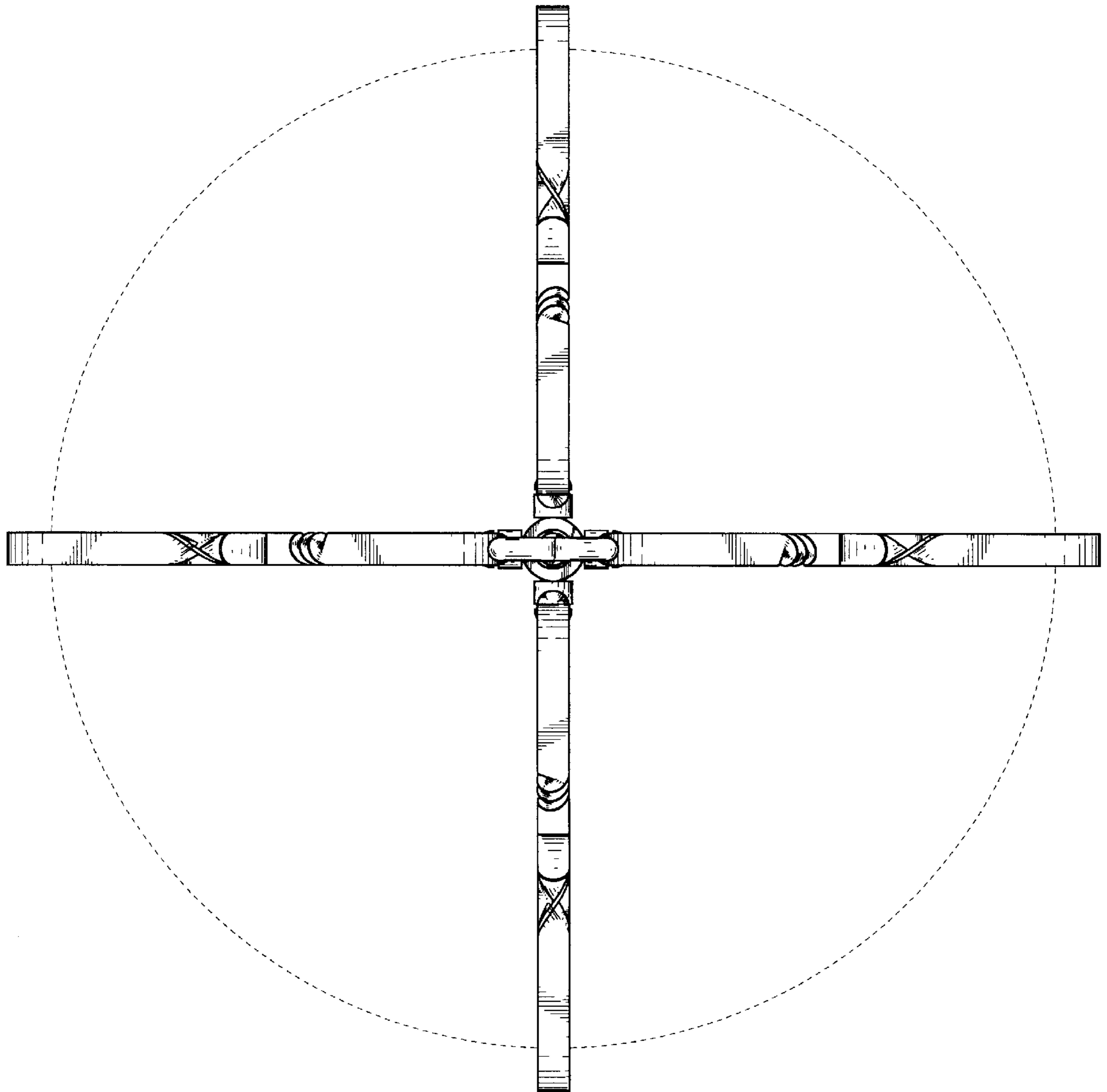


Fig.4

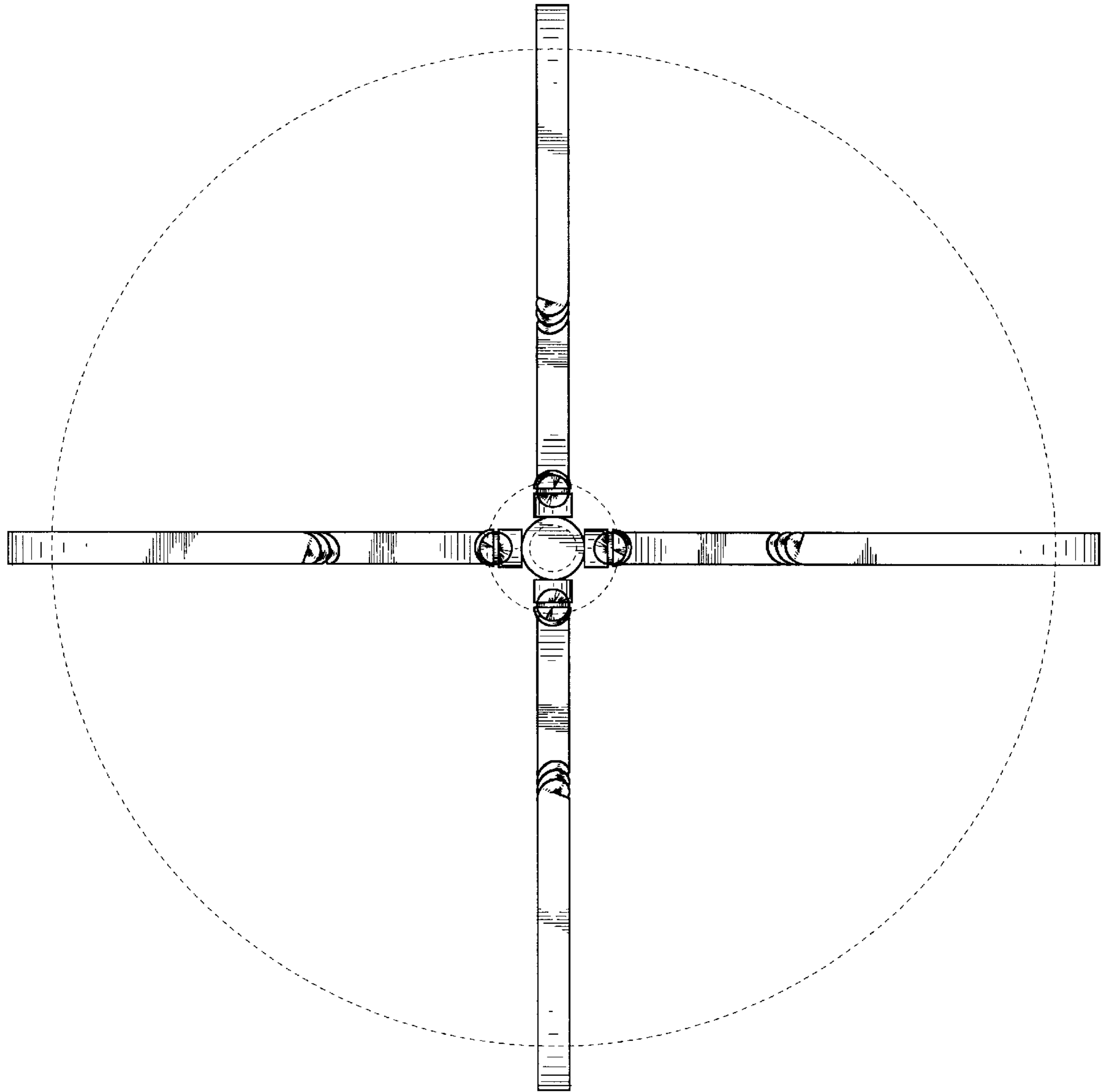


Fig.5