



US00D398066S

United States Patent [19]

[11] **Patent Number: Des. 398,066**

Noel

[45] **Date of Patent: **Sep. 8, 1998**

[54] **LIGHT REFLECTIVE DEVICE**

Primary Examiner—Susan J. Lucas

[76] Inventor: **James C. Noel**, 108 Front St., Fallen Timber, Pa. 16639-6207

[57] **CLAIM**

The ornamental design for a light reflective device, as shown.

[**] Term: **14 Years**

DESCRIPTION

[21] Appl. No.: **76,157**

FIG. 1 is a front elevational view of the light reflective device of the present invention;

[22] Filed: **Aug. 29, 1997**

FIG. 2 is a back elevational view of the light reflective device of FIG. 1;

[51] **LOC (6) Cl.** **26-05**

[52] **U.S. Cl.** **D26/56; D6/308**

FIG. 3 is a right side elevational view of the light reflective device of FIG. 1;

[58] **Field of Search** **D26/56, 73; D6/308; 362/135, 806; 359/838; D11/132, 133**

FIG. 4 is a cross sectional view along line 4—4 of FIG. 2 of the light reflective device of FIG. 1;

[56] **References Cited**

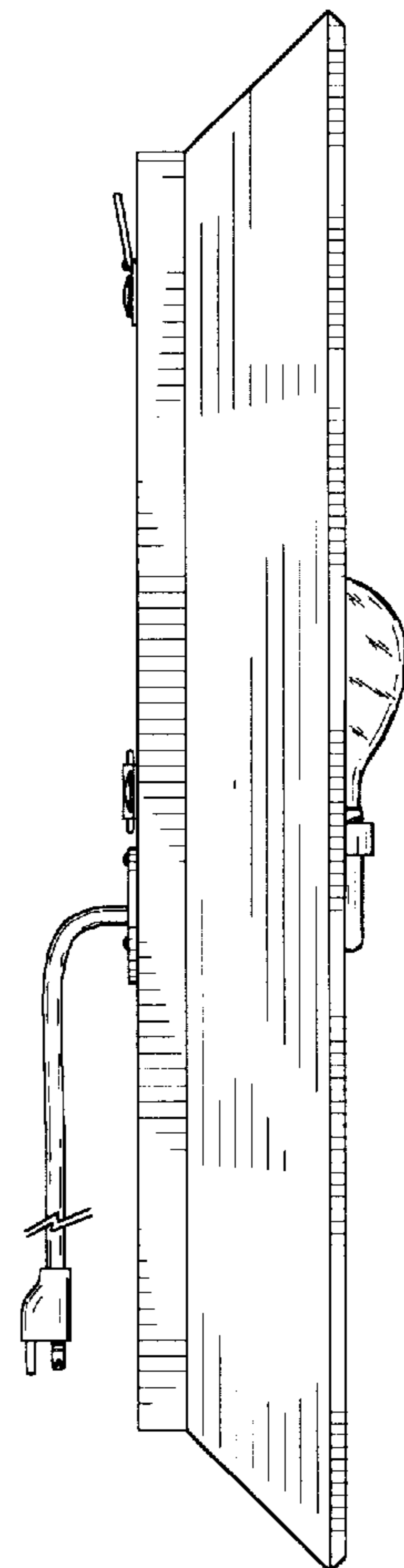
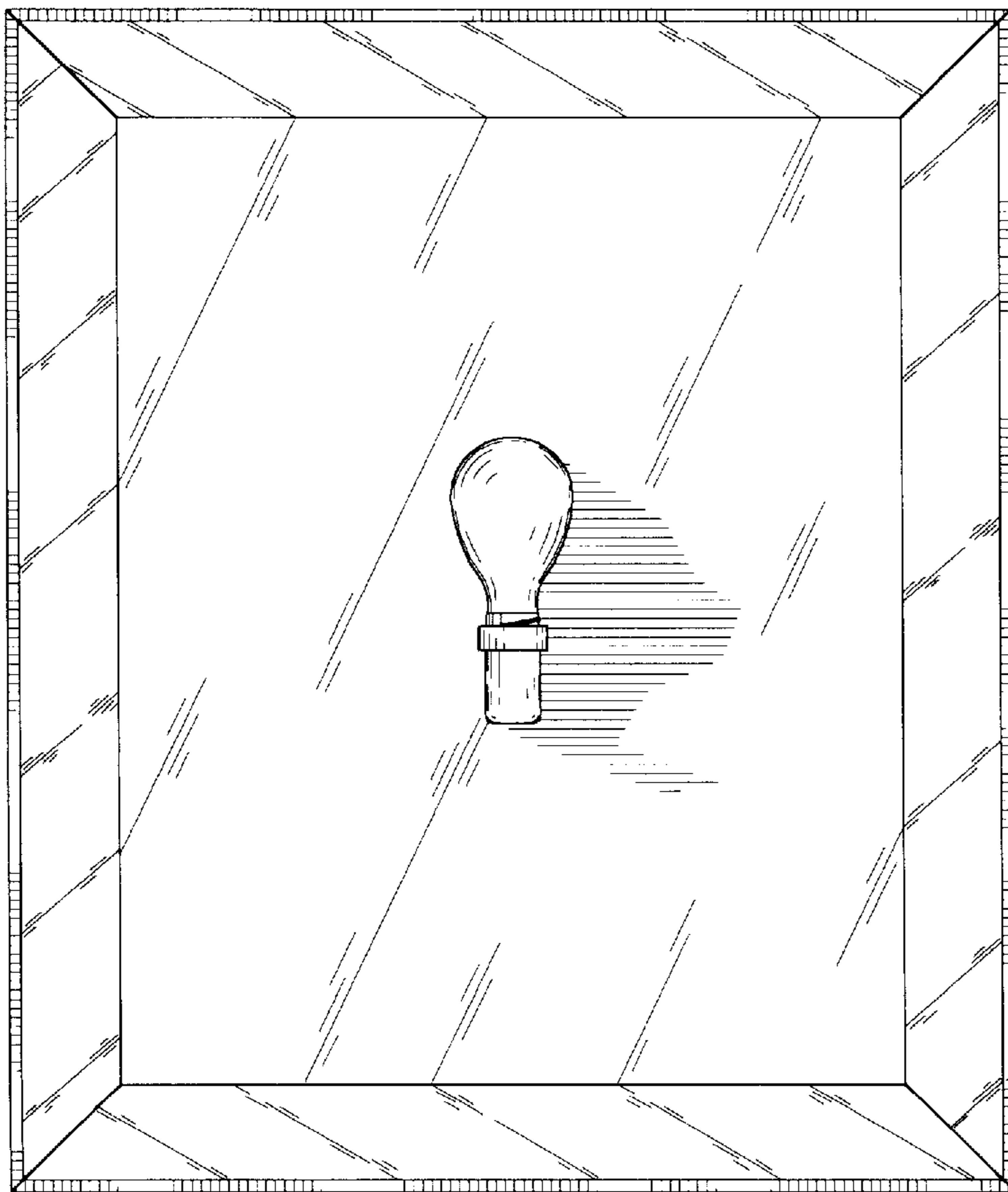
FIG. 5 is a top plan view of the light reflective device of FIG. 1; and,

U.S. PATENT DOCUMENTS

FIG. 6 is a bottom plan view of the light reflective device of FIG. 1.

D. 220,055	3/1971	Holton	D26/56
D. 230,548	3/1974	Robinson	D6/308
2,014,690	9/1935	Minton	362/135

1 Claim, 3 Drawing Sheets



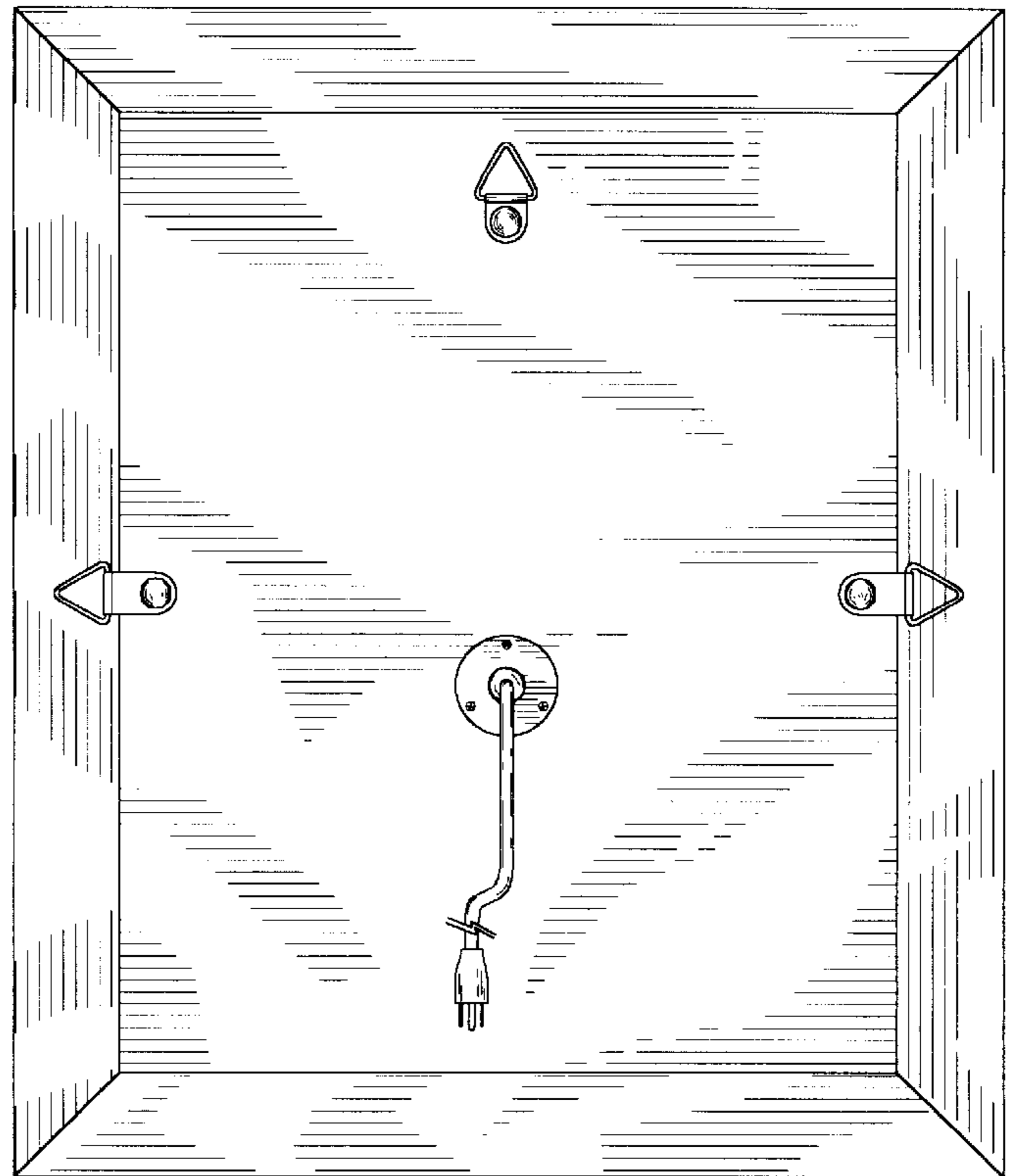
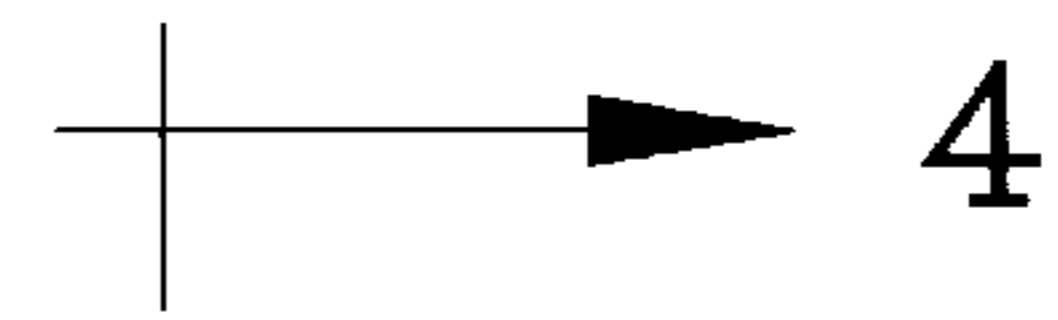


Fig. 2

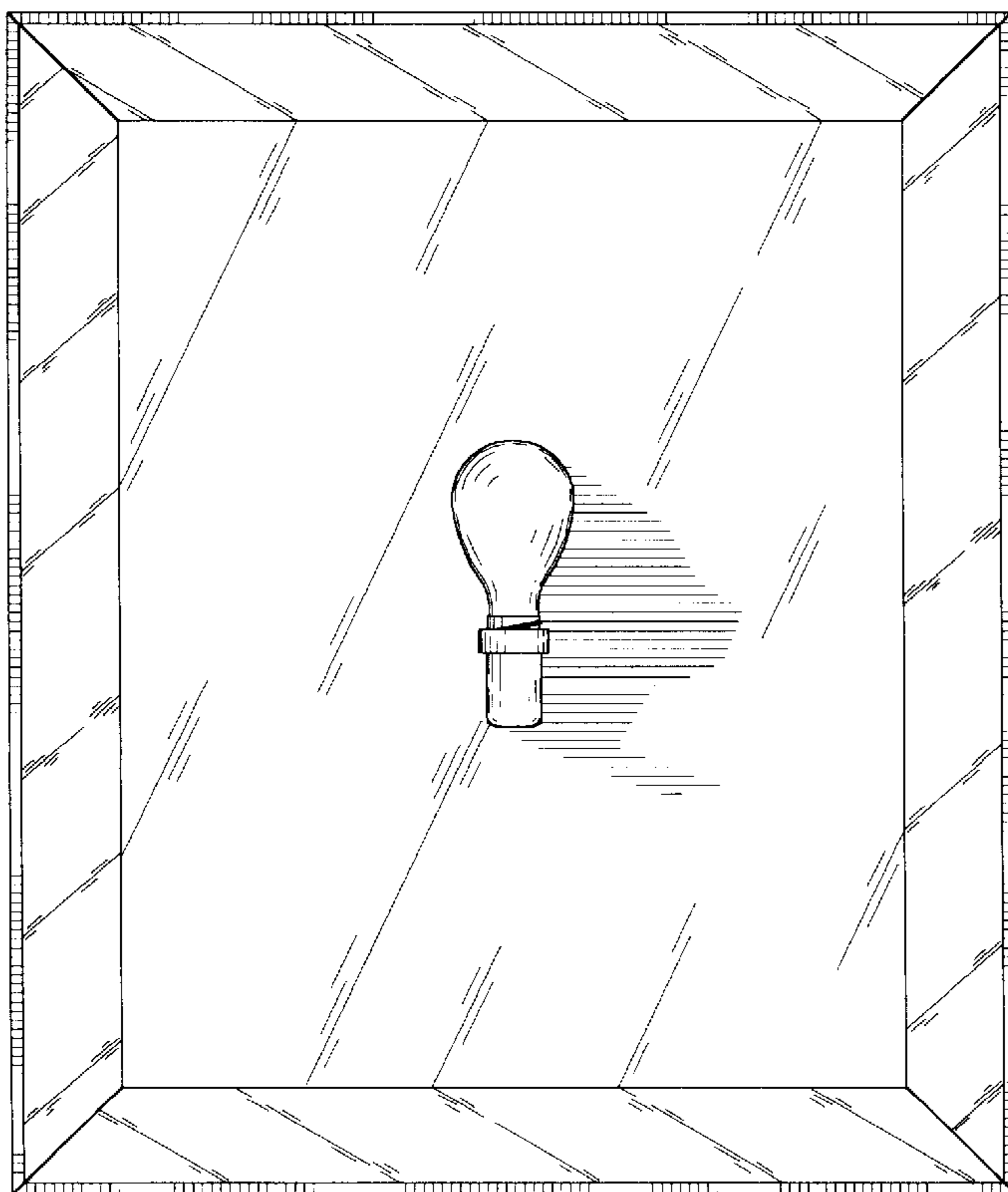
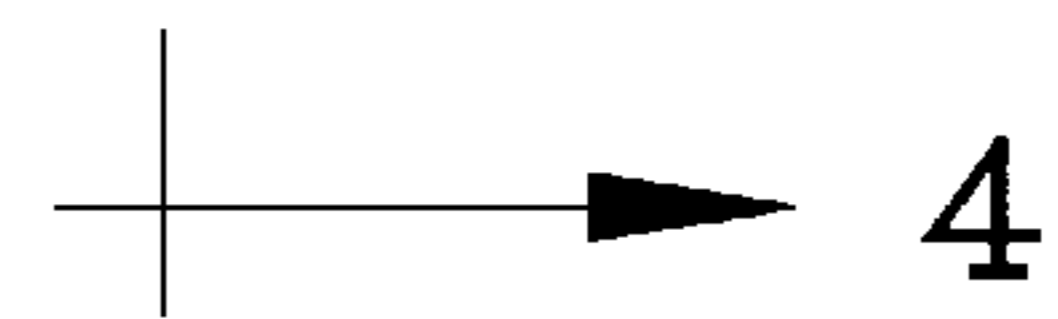


Fig. 1

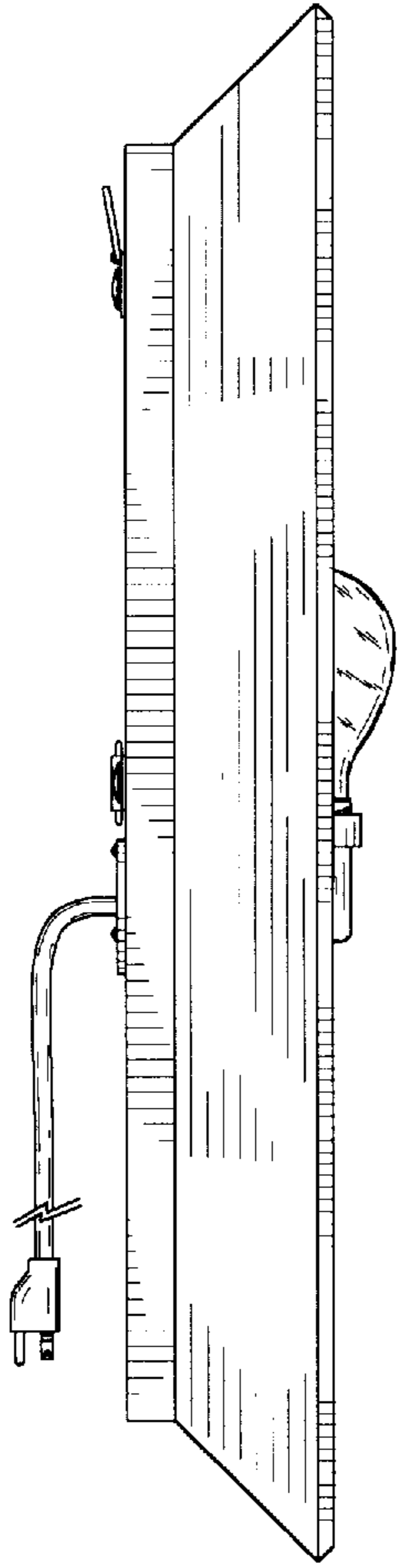


Fig. 3

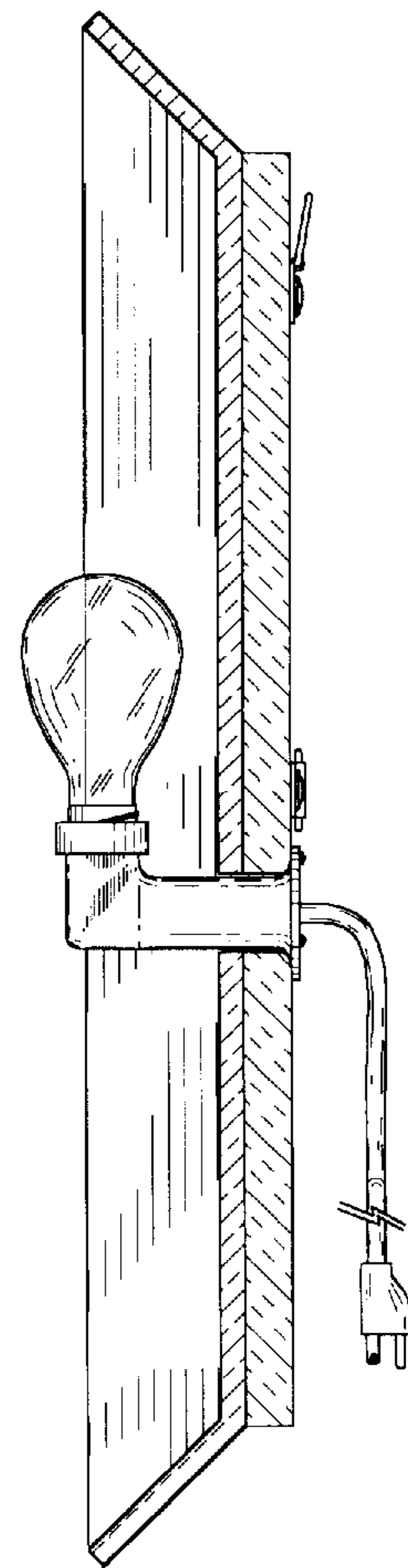


Fig. 4

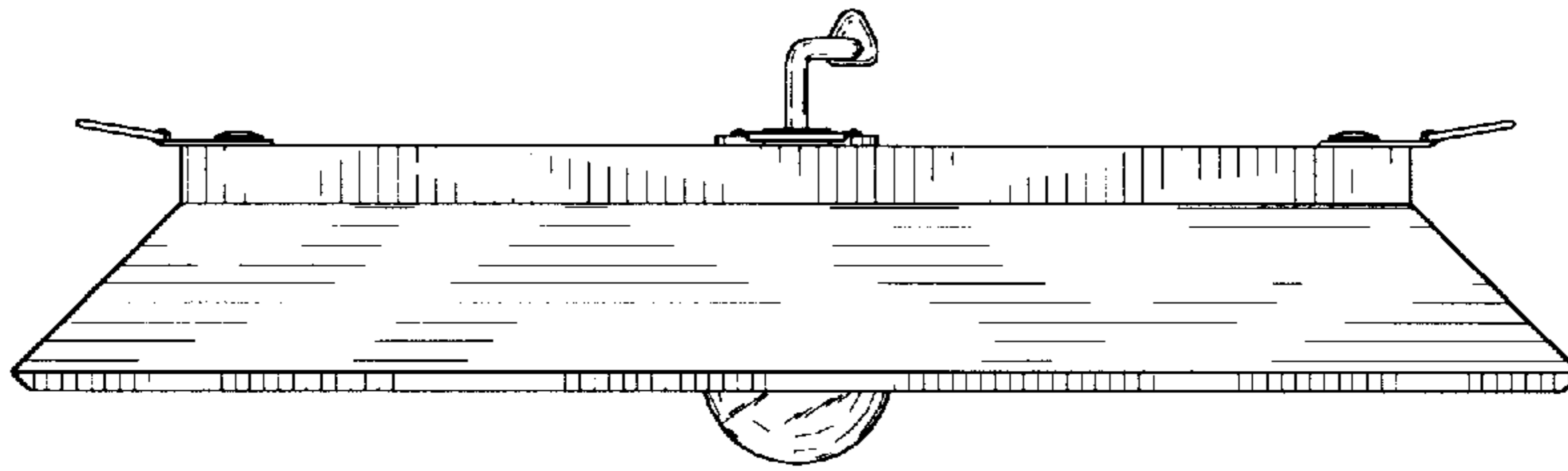


Fig. 5

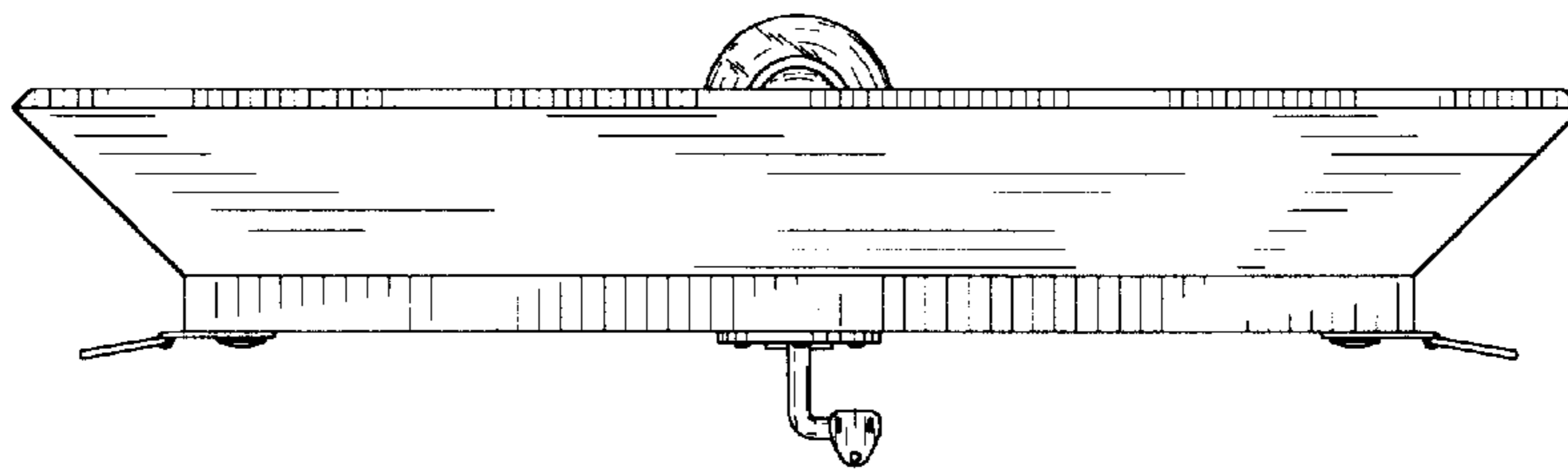


Fig. 6