



US00D398064S

United States Patent [19]
Pierce, Jr.

[11] **Patent Number: Des. 398,064**
[45] **Date of Patent: **Sep. 8, 1998**

[54] **CROSSARM FOR VINEYARD SUPPORT**

[76] Inventor: **Leon W. Pierce, Jr.**, 962 GoldenOak Way, Stockton, Calif. 95209

[**] Term: **14 Years**

[21] Appl. No.: **69,771**

[22] Filed: **Apr. 23, 1997**

[51] **LOC (6) Cl.** **25-01**

[52] **U.S. Cl.** **D25/134**

[58] **Field of Search** D25/132-134,
D25/119, 164; 47/44 R, 44 W, 43 R, 47 L,
45 C; 256/48, DIG. 5; 248/27.8, 219.2,
219.3; 52/736.2, 736.1

[56] **References Cited**

U.S. PATENT DOCUMENTS

D. 196,840	11/1963	Case	D25/42
D. 247,629	3/1978	Grannis .		
D. 343,693	1/1994	Jeffrey	D25/131
2,906,380	9/1959	Sanders	D25/132
4,258,523	3/1981	Waugh .		
4,965,961	10/1990	Broyles .		

OTHER PUBLICATIONS

Crossarm For Vineyard Support System; Inventor: Leon W. Pierce; Serial No. 29/052,588; Filing date: Apr. 4, 1996.

Primary Examiner—Doris Clark

Attorney, Agent, or Firm—Hall & Kerr; Robert C. Hall

[57] **CLAIM**

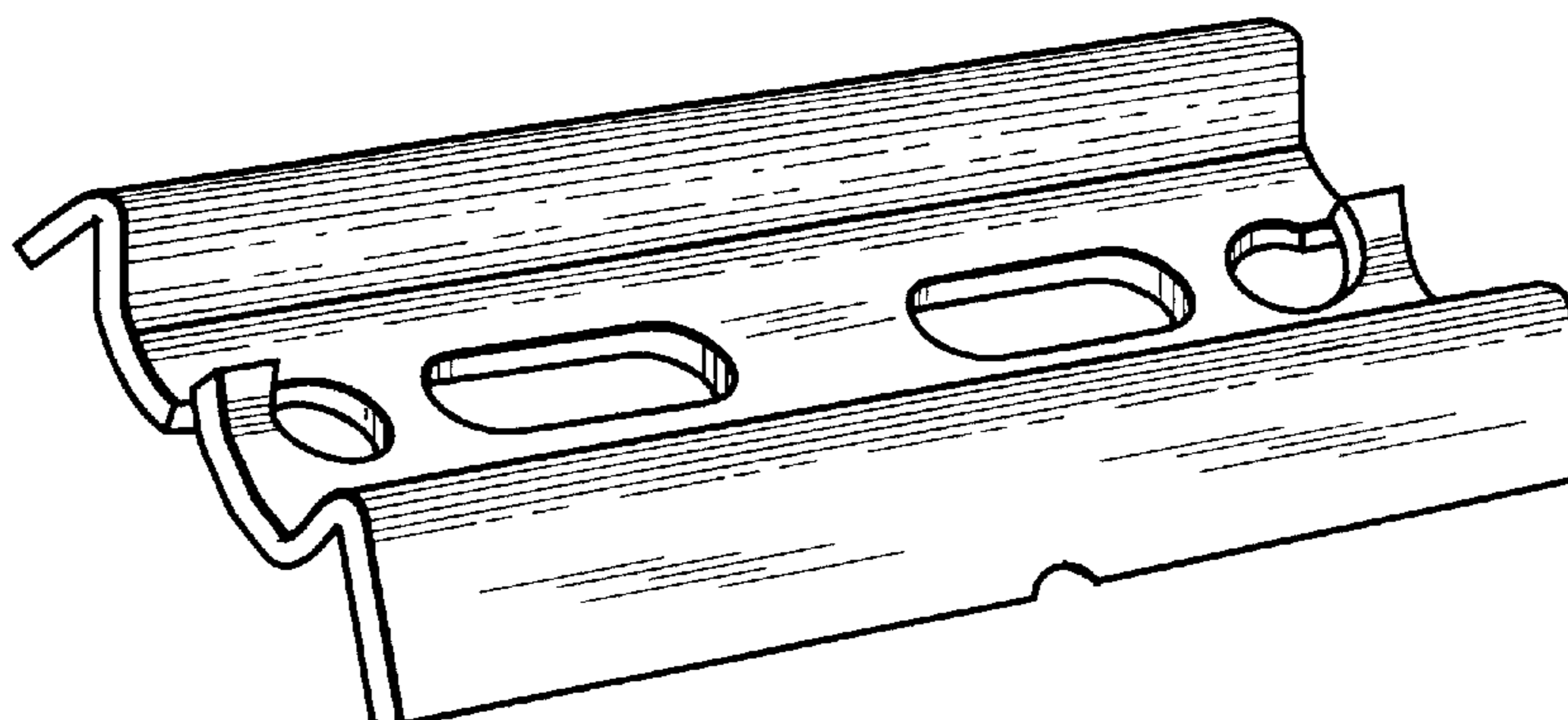
The ornamental design for a crossarm for vineyard support, as shown and described.

DESCRIPTION

FIG. 1 is a front perspective of a first embodiment of crossarm for vineyard support system, showing my new design;
FIG. 2 is a front elevational view thereof;
FIG. 3 is an elevational view of one edge thereof, the opposite edge being a mirror image;

FIG. 4 is a rear elevational view thereof;
FIG. 5 is an elevational view of one end thereof, the opposite end being a mirror image;
FIG. 6 is a front perspective view of a second embodiment of crossarm for vineyard support;
FIG. 7 is a front elevational view thereof;
FIG. 8 is an elevational view of one edge thereof, the opposite edge being a mirror image;
FIG. 9 is a rear elevational view thereof;
FIG. 10 is an elevational view of one end thereof, the opposite end being a mirror image;
FIG. 11 is a front perspective view of a third embodiment of crossarm for vineyard support;
FIG. 12 is a front elevational view thereof;
FIG. 13 is an elevational view of one edge thereof, the opposite edge being a mirror image;
FIG. 14 is a rear elevational view thereof;
FIG. 15 is an elevational view of one end thereof, the opposite end being a mirror image;
FIG. 16 is a front perspective of a fourth embodiment of crossarm for vineyard support, showing my new design;
FIG. 17 is a front elevational view thereof;
FIG. 18 is an elevational view of one edge thereof, the opposite edge being a mirror image;
FIG. 19 is a rear elevational view thereof;
FIG. 20 is an elevational view of one end thereof, the opposite end being a mirror image;
FIG. 21 is a front perspective view of a fifth embodiment of crossarm for vineyard support;
FIG. 22 is a front elevational view thereof;
FIG. 23 is an elevational view of one edge thereof, the opposite edge being a mirror image;
FIG. 24 is a rear elevational view thereof;
FIG. 25 is an elevational view of one end thereof, the opposite end being a mirror image;
FIG. 26 is a front perspective view of a sixth embodiment crossarm for vineyard support;
FIG. 27 is a front elevational view thereof;
FIG. 28 is an elevational view of one edge thereof, the opposite edge being a mirror image;
FIG. 29 is a rear elevational view thereof; and,
FIG. 30 is an elevational view of one end thereof, the opposite end being a mirror image.

1 Claim, 8 Drawing Sheets



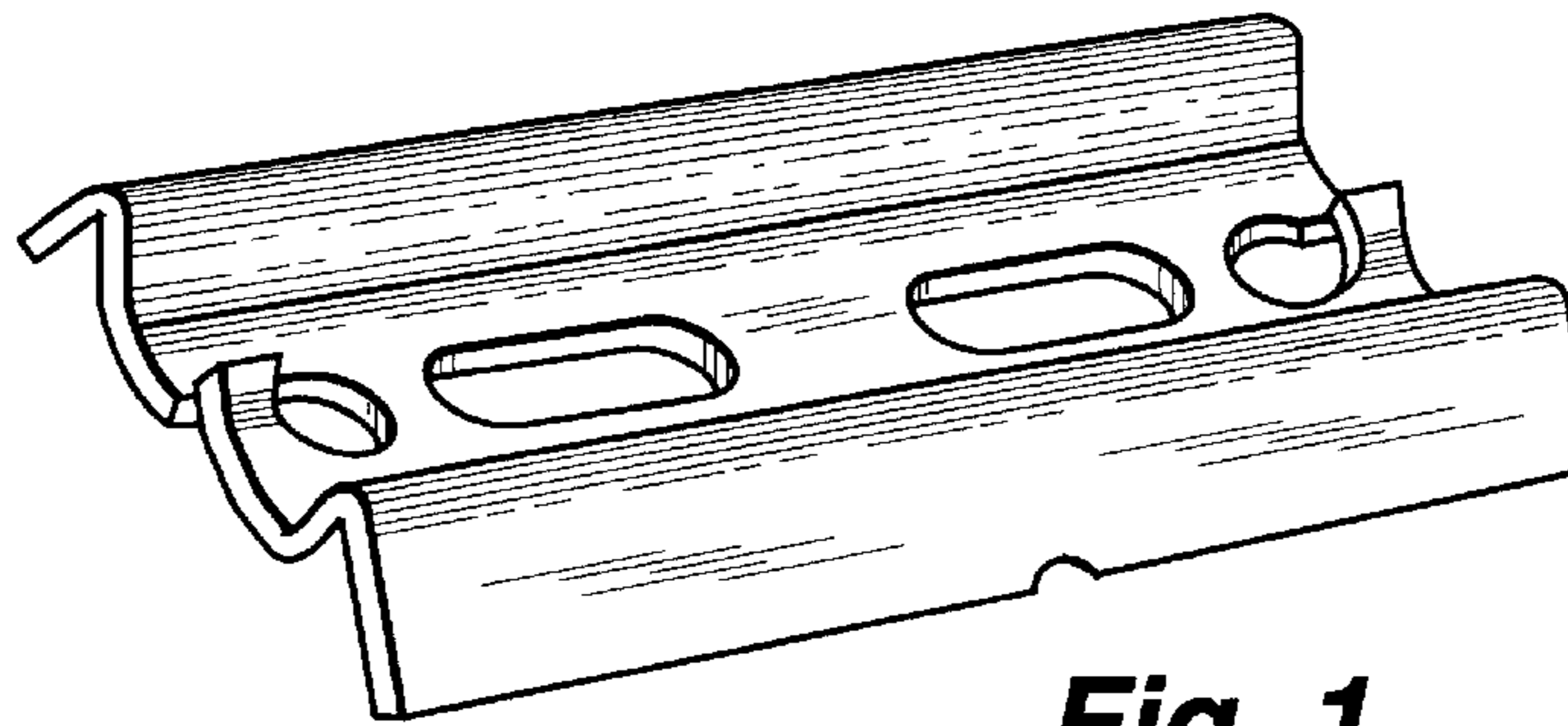


Fig. 1

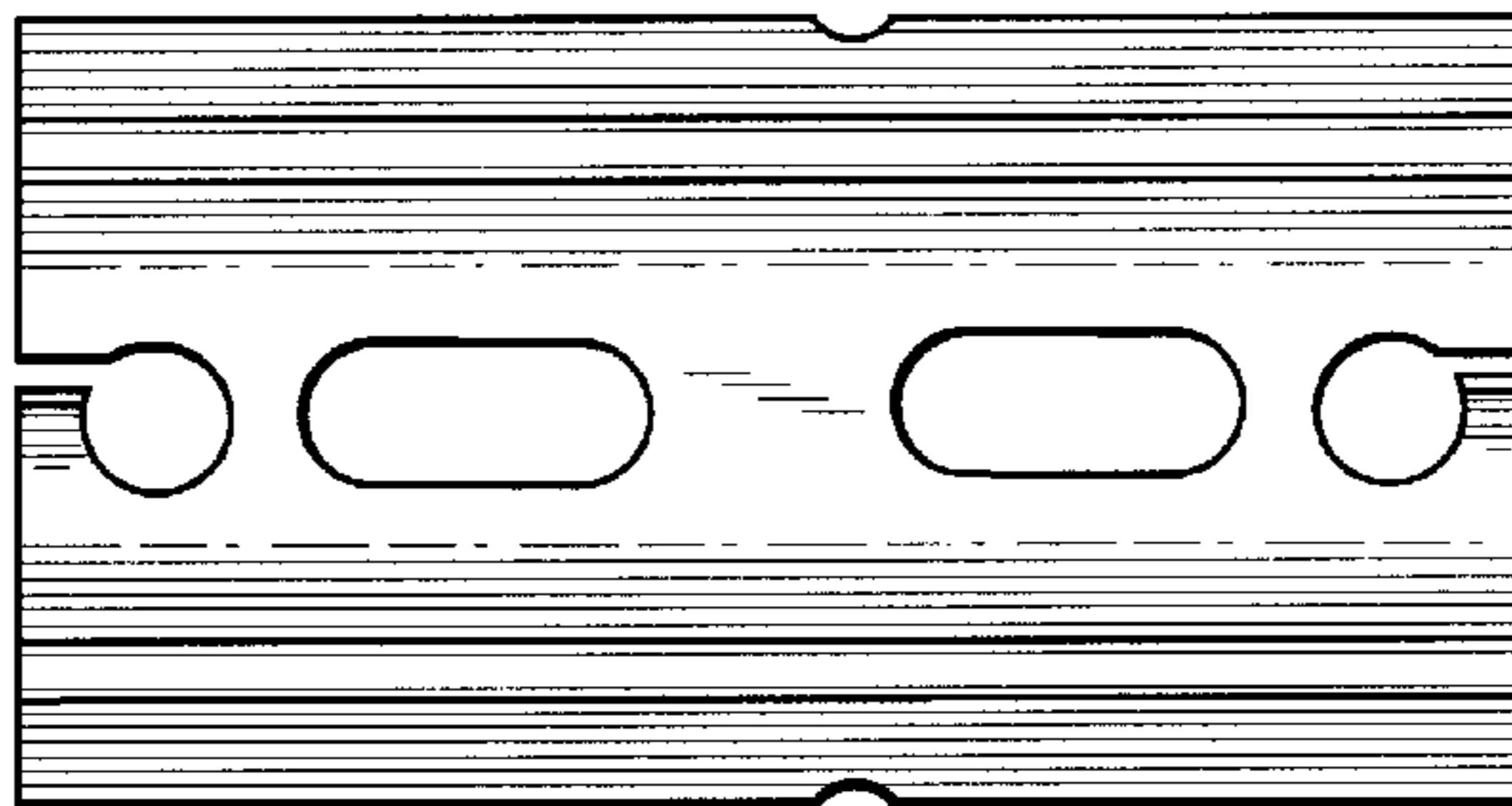


Fig. 2

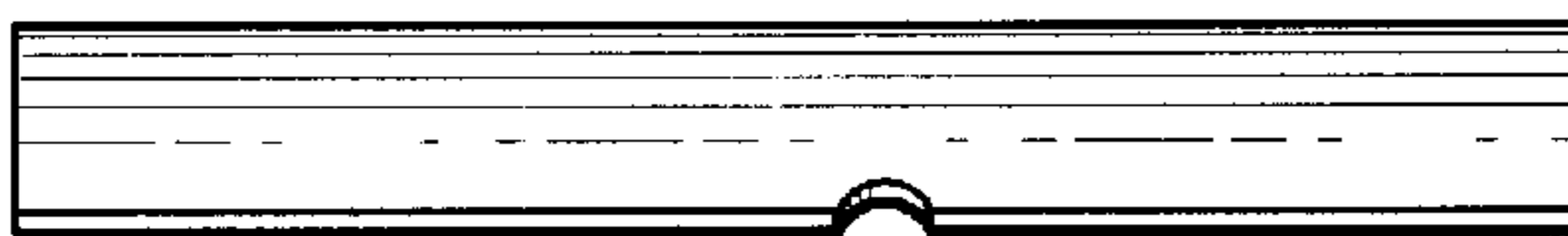


Fig. 3

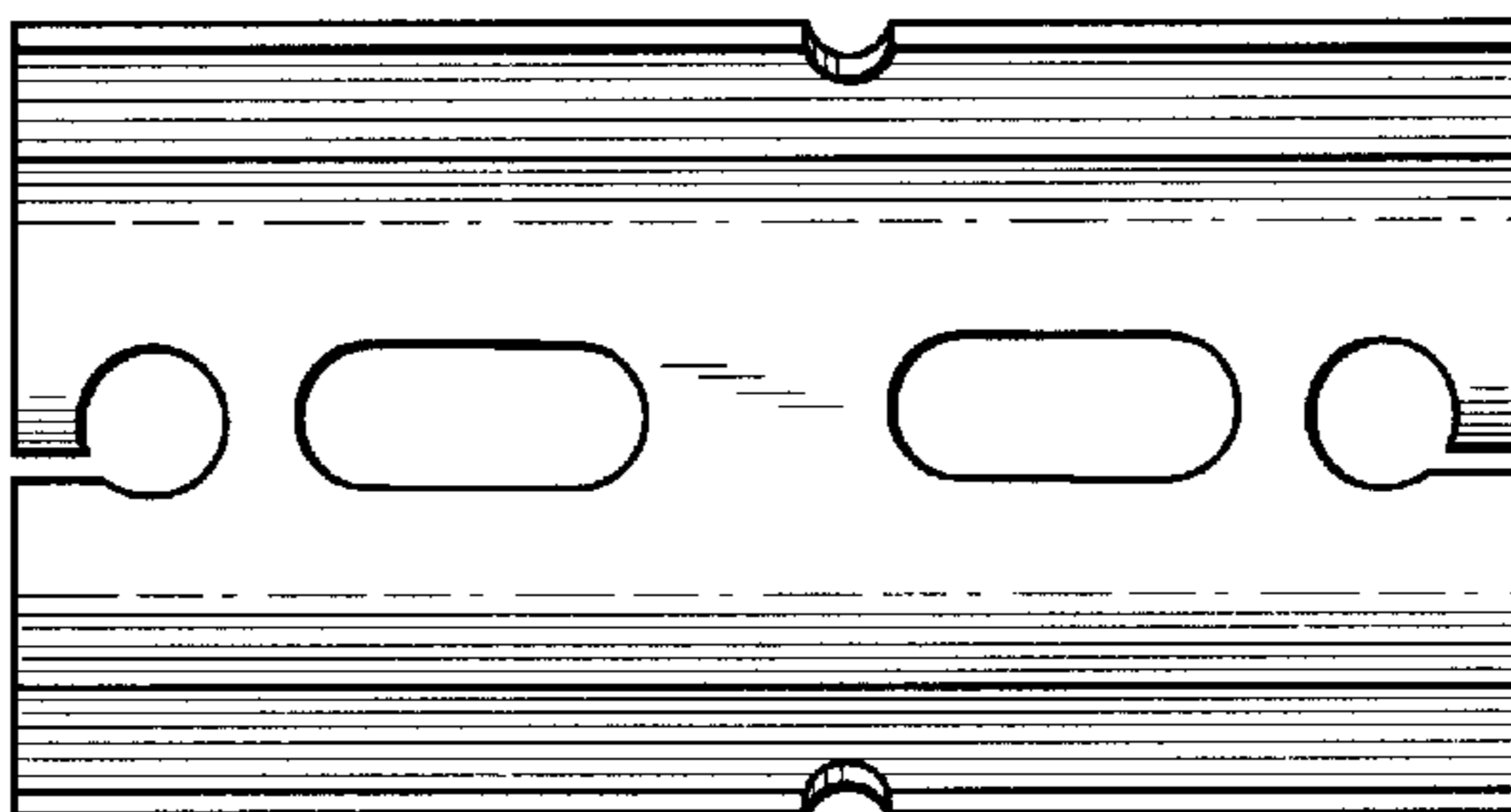


Fig. 4

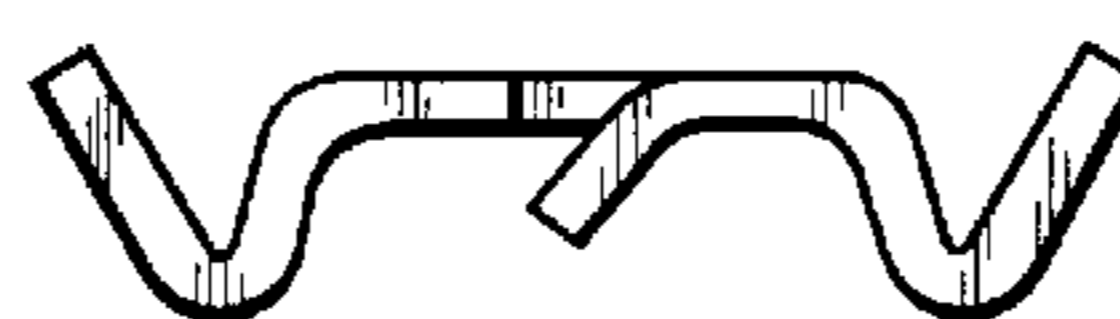
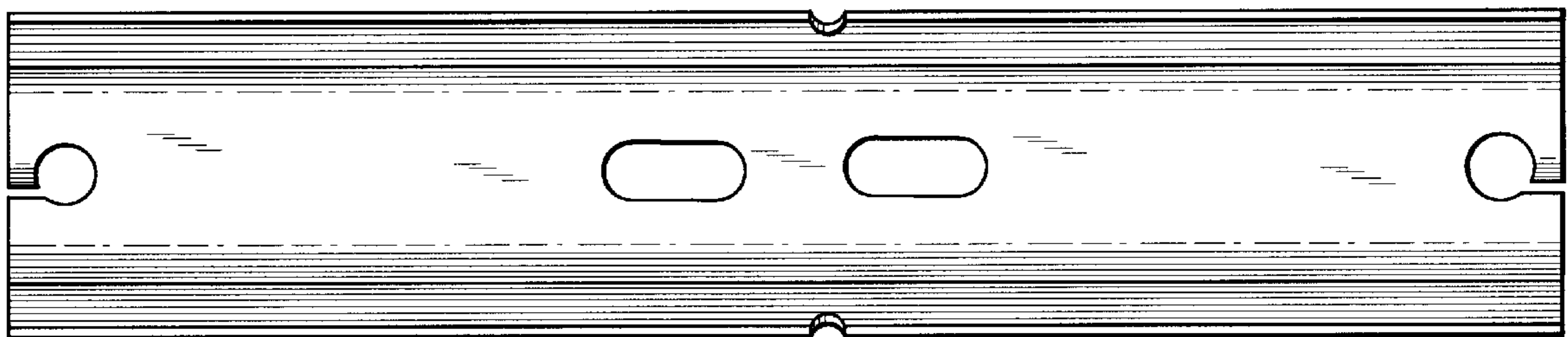
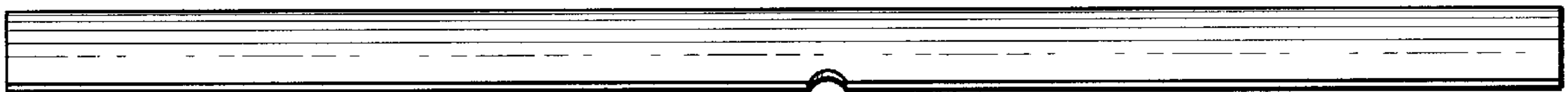
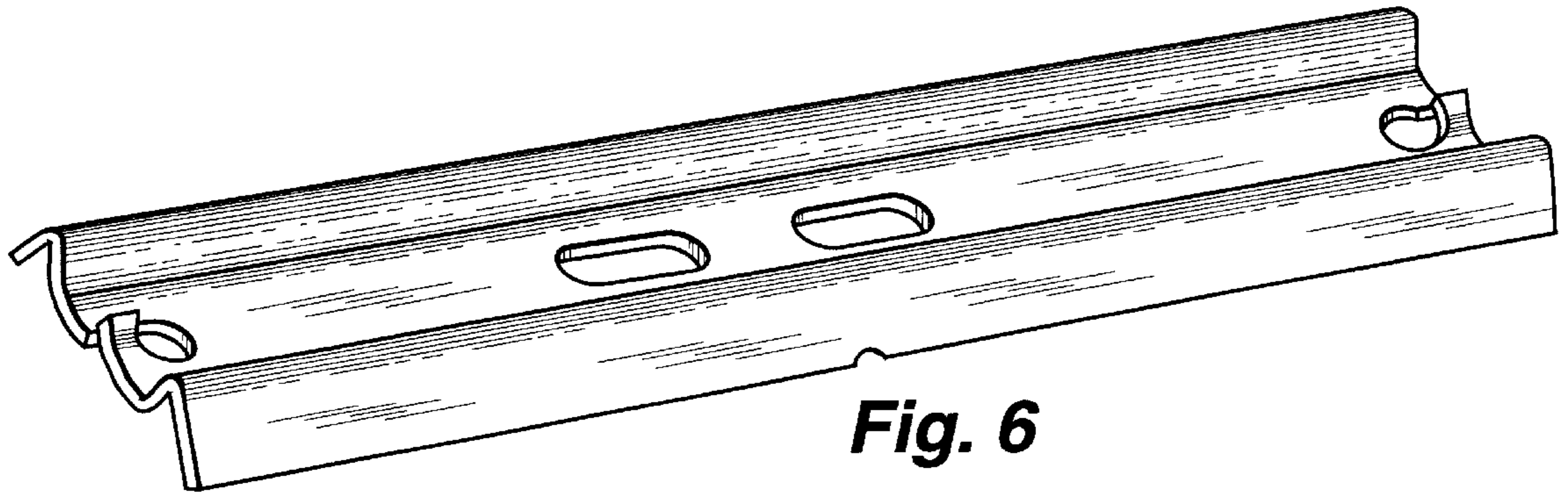


Fig. 5



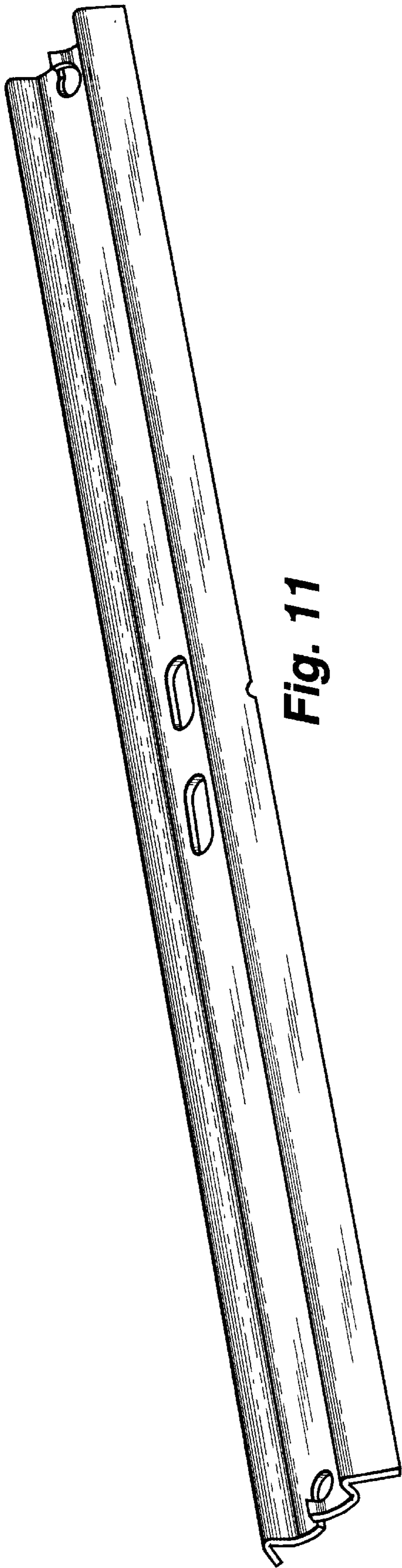


Fig. 11



Fig. 12



Fig. 13

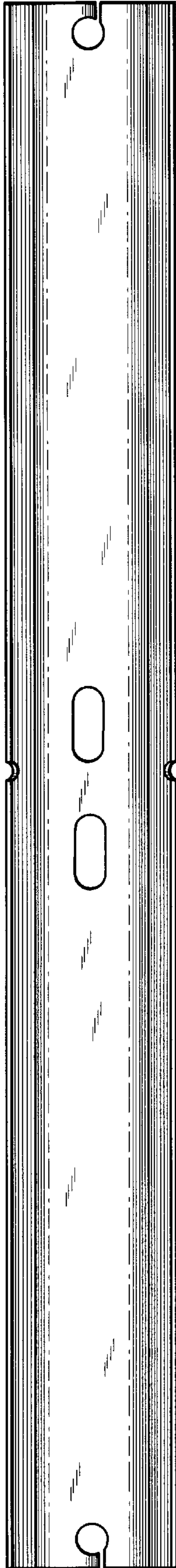


Fig. 14

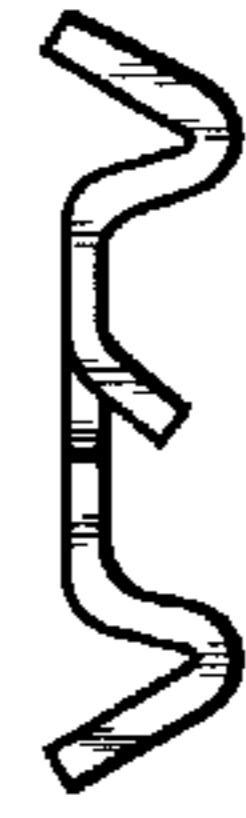


Fig. 15

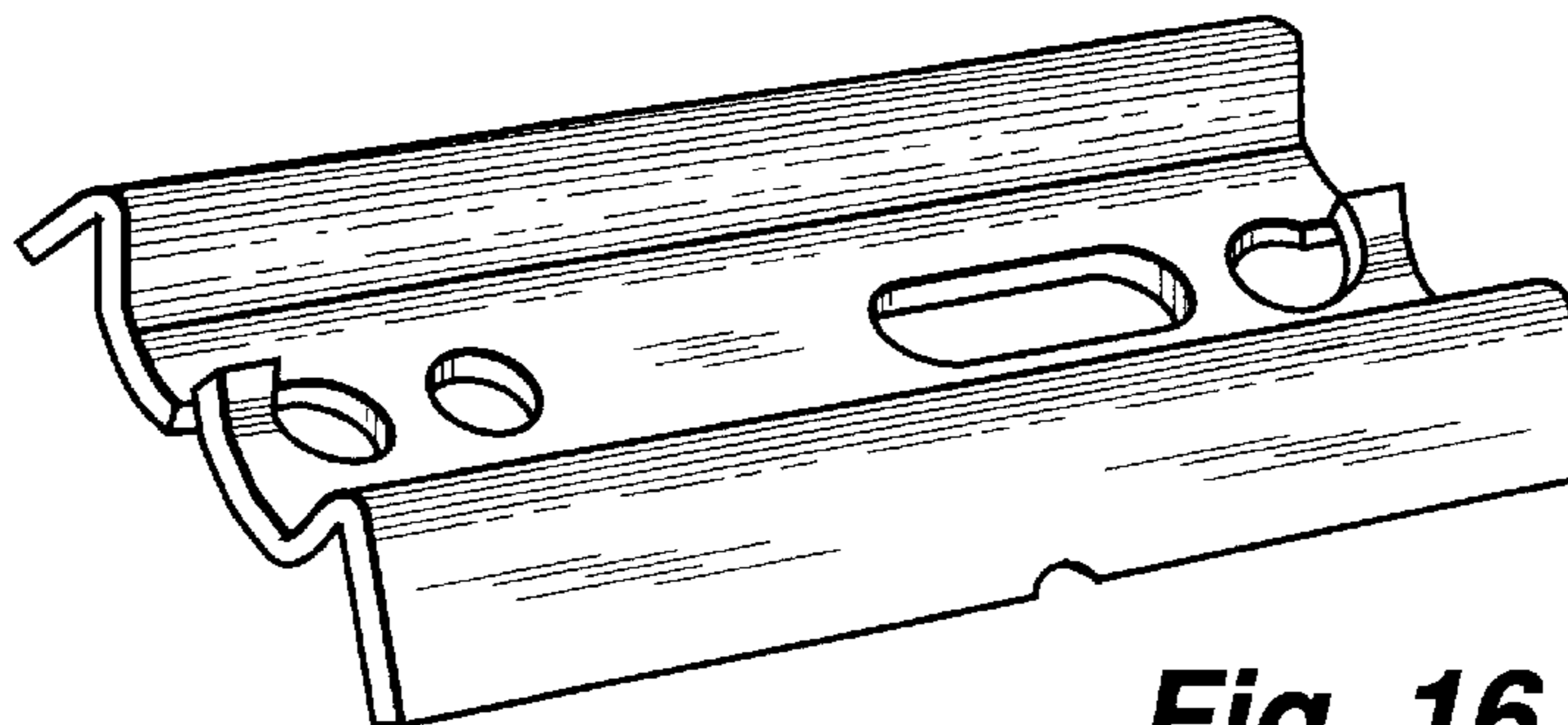


Fig. 16

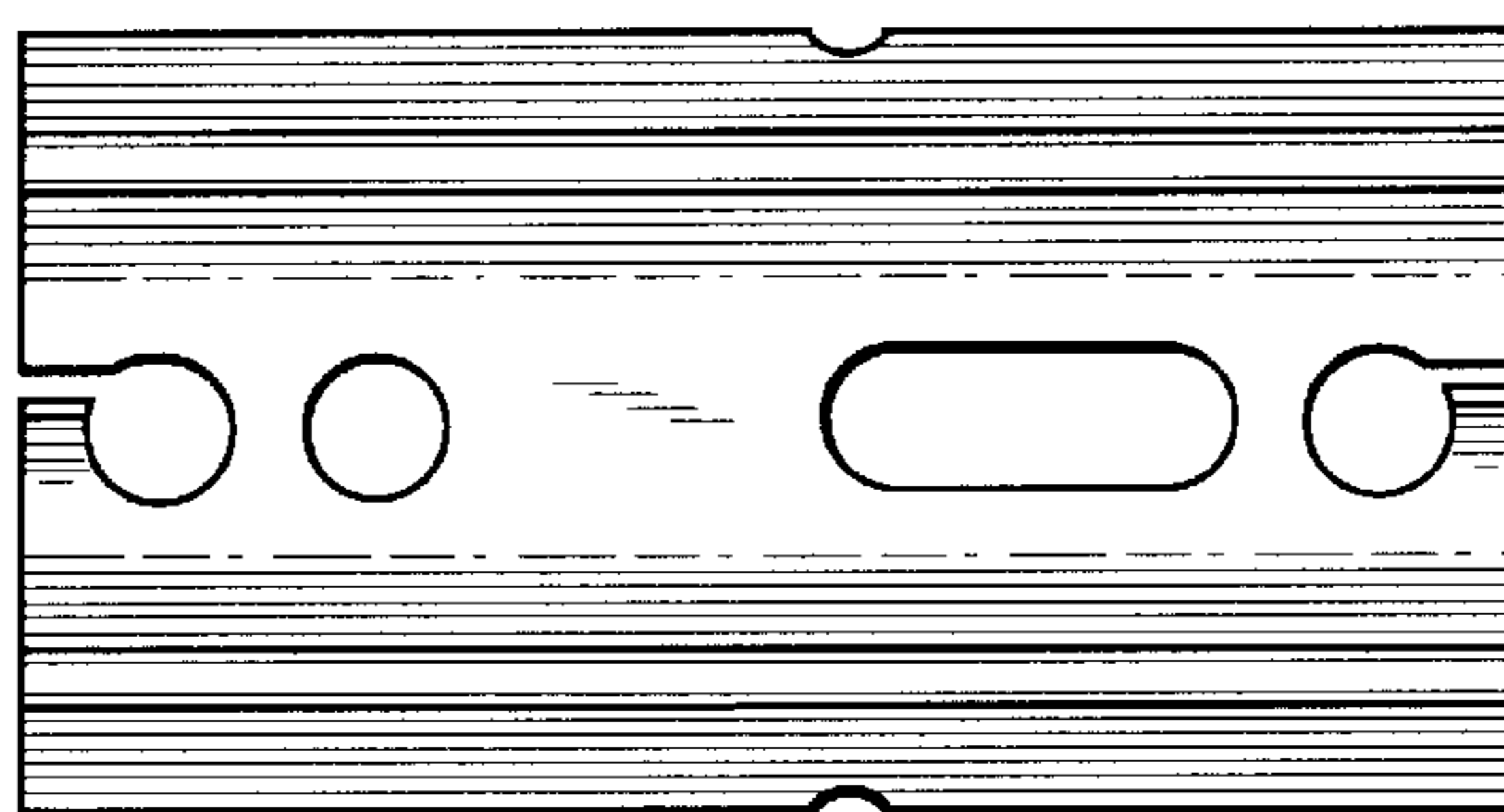


Fig. 17

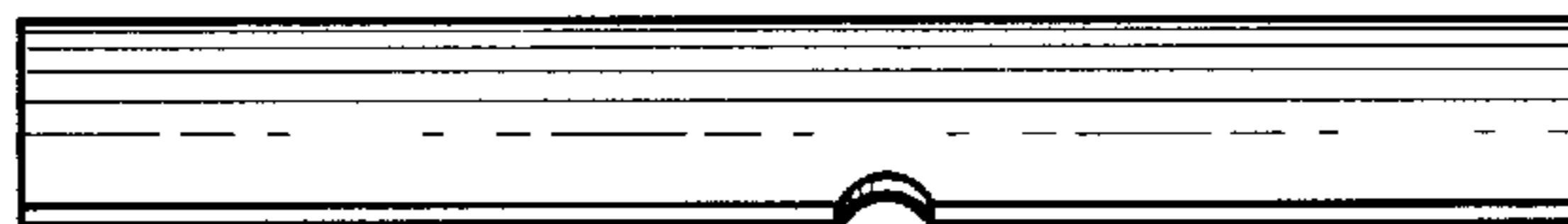


Fig. 18

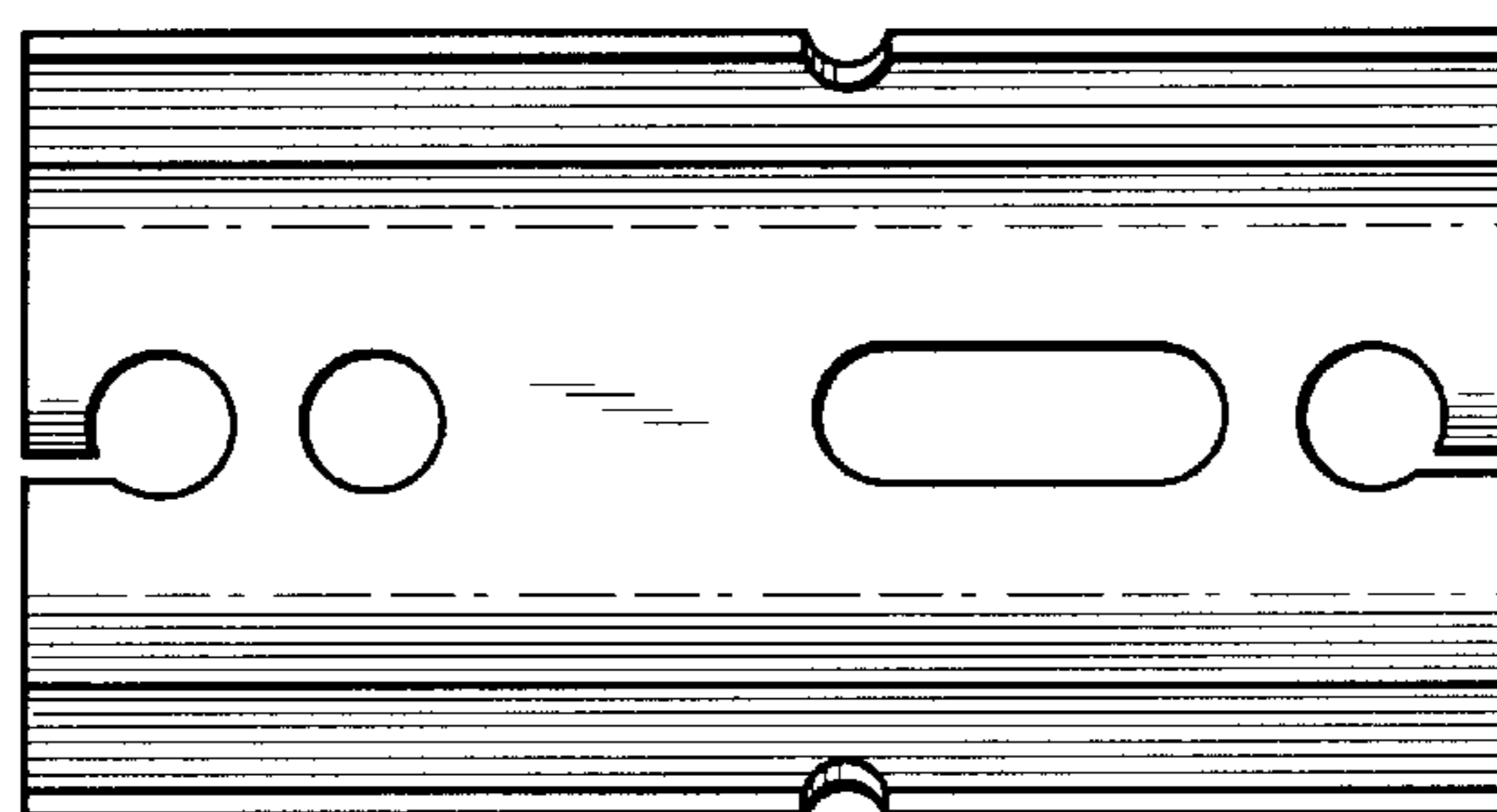
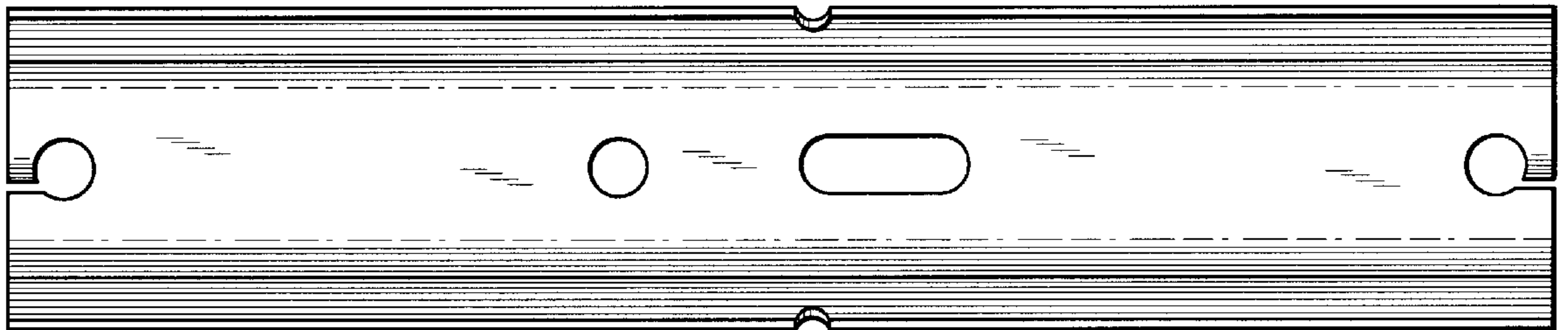
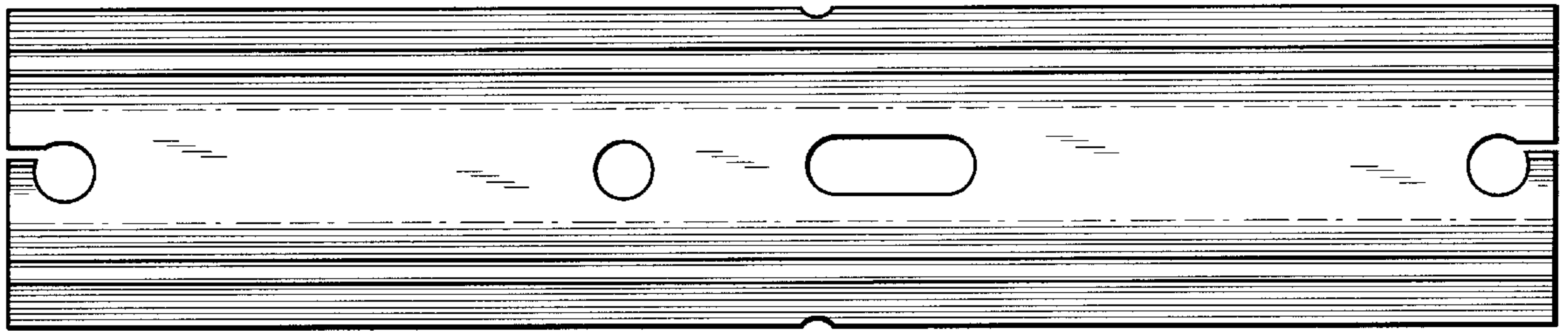
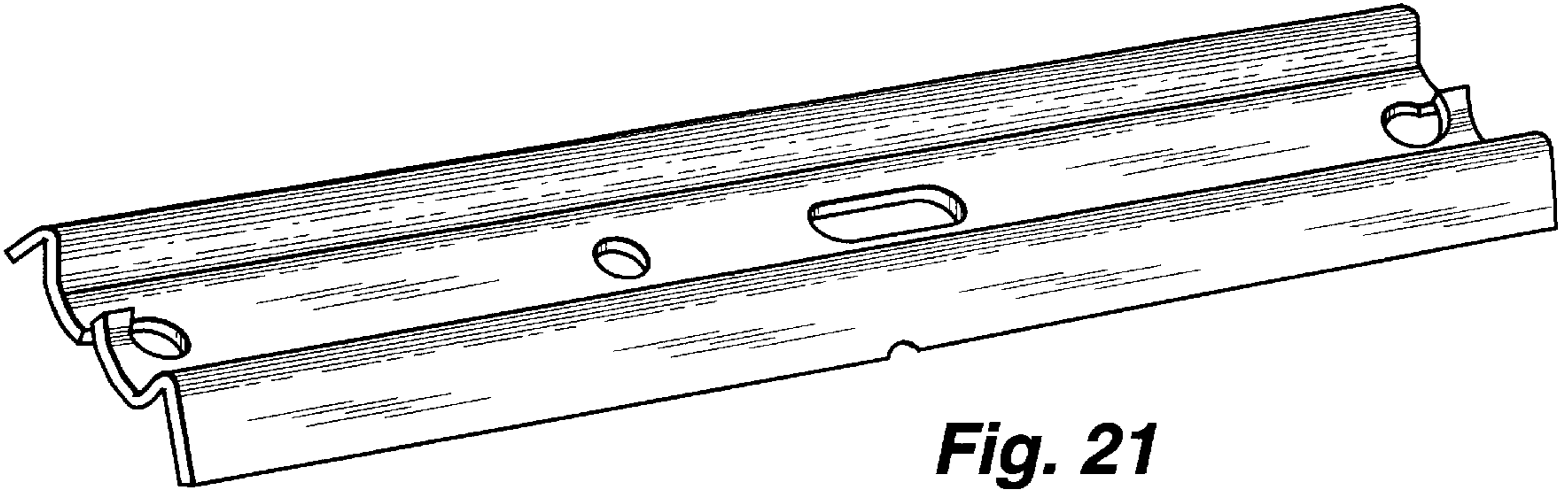


Fig. 19



Fig. 20



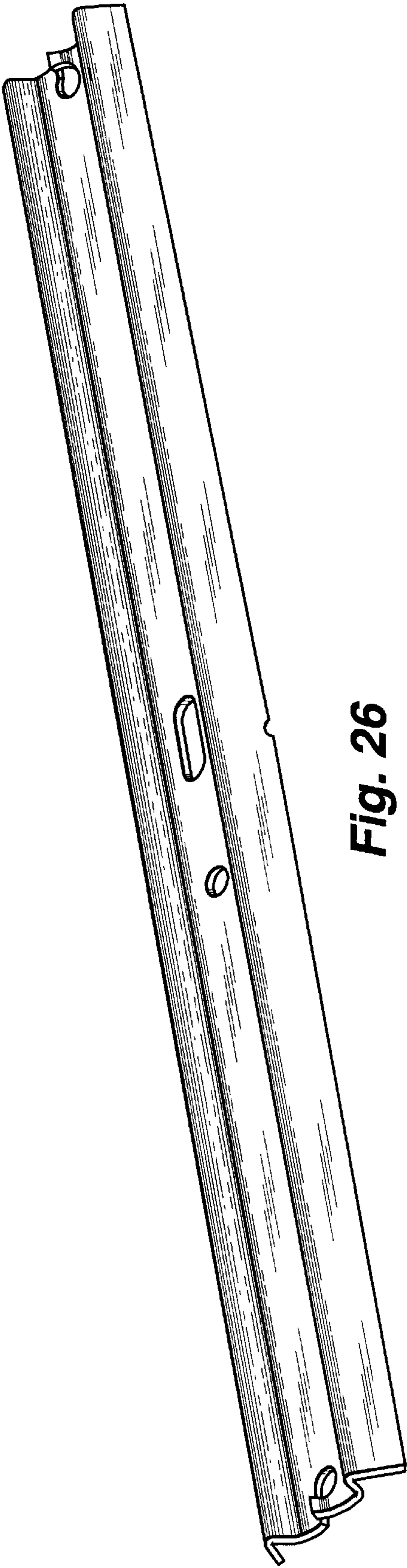


Fig. 26

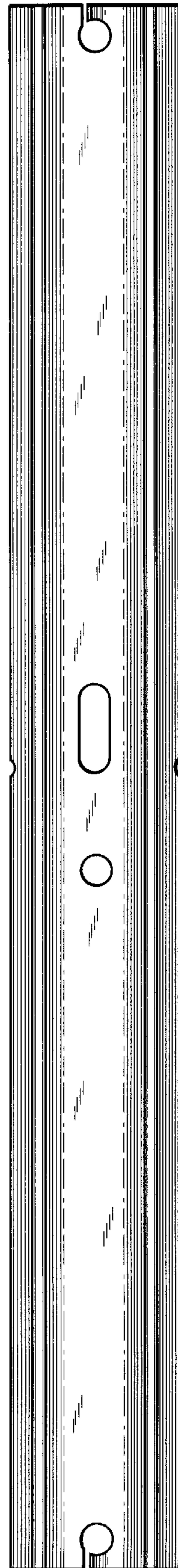


Fig. 27



Fig. 28

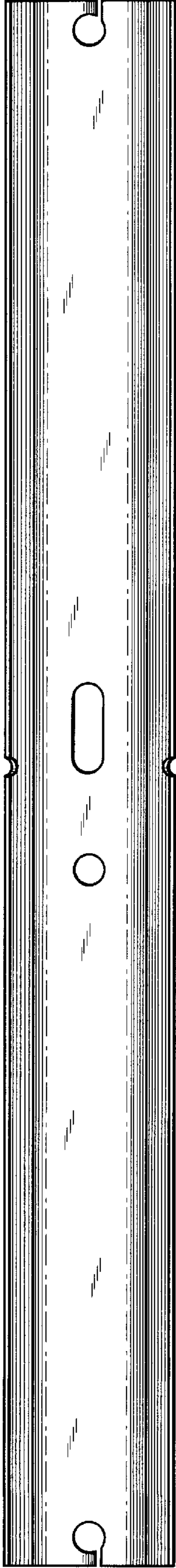


Fig. 29

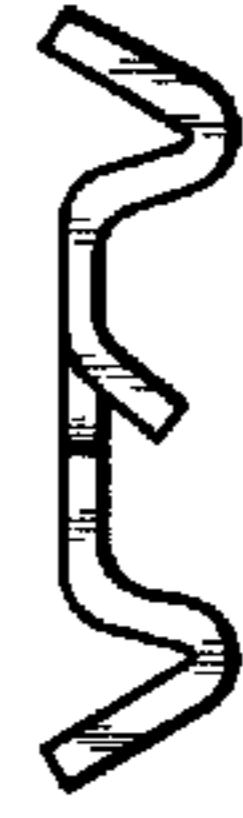


Fig. 30