



US00D398060S

United States Patent [19]
Brown

[11] **Patent Number:** **Des. 398,060**
[45] **Date of Patent:** ****Sep. 8, 1998**

[54] **PULMONARY FILTER**

5,320,096 6/1994 Hans 128/205.29
5,390,066 2/1995 Lehman 128/205.27

[76] Inventor: **Daniel G. Brown**, P.O. Box 1495, San Clemente, Calif. 92674

Primary Examiner—Stella Reid
Attorney, Agent, or Firm—Oppenheimer Wolff & Donnelly LLP

[**] Term: **14 Years**

[21] Appl. No.: **67,873**

[57] **CLAIM**

[22] Filed: **Mar. 13, 1997**

The ornamental design for a pulmonary filter, as shown and described.

[51] **LOC (6) Cl.** **24-04**

DESCRIPTION

[52] **U.S. Cl.** **D24/164**

[58] **Field of Search** D24/164; 128/205.27,
128/205.29

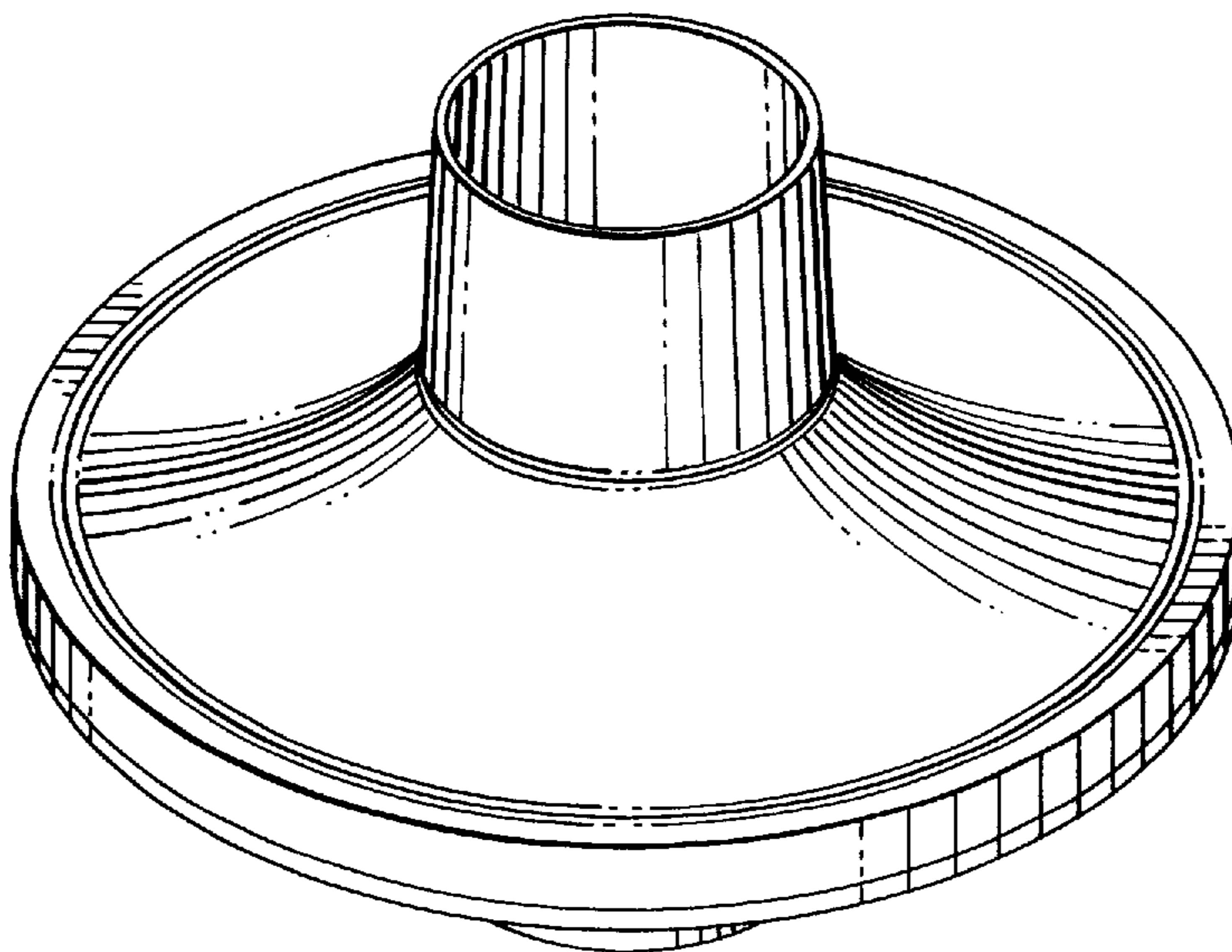
Fig. 1 is a top isometric view of a pulmonary filter, showing my new design;
FIG. 2 is a side elevational view thereof, with all other sides being identical to that shown;
FIG. 3 is a bottom isometric view thereof;
FIG. 4 is a top plan view thereof; and,
FIG. 5 is a bottom plan view thereof.

[56] **References Cited**

U.S. PATENT DOCUMENTS

D. 267,117 11/1982 Rosenberg D24/164
5,035,236 7/1991 Kanegaonkar 128/205.27 X
5,195,527 3/1993 Hicks 128/205.27 X

1 Claim, 2 Drawing Sheets



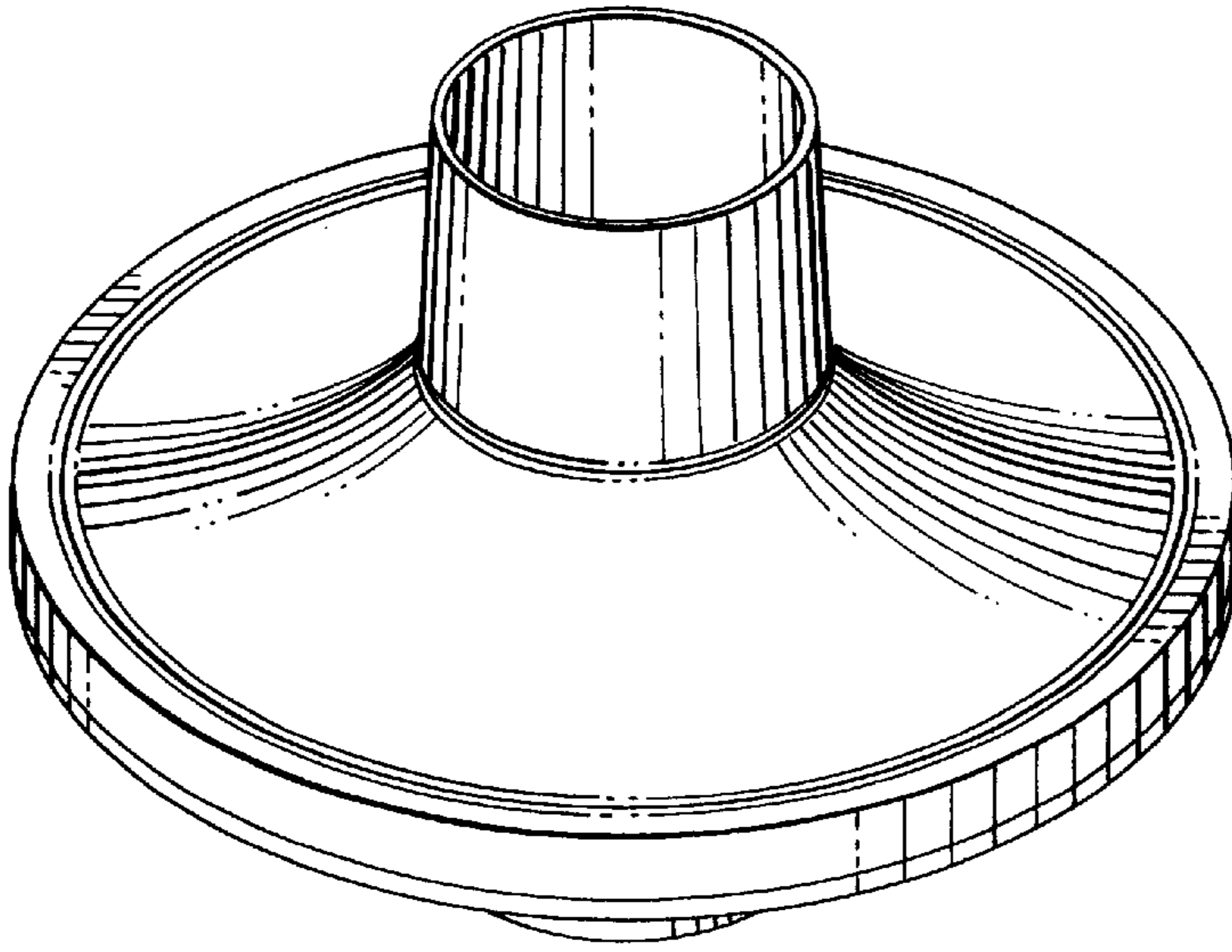


FIG. 1.

FIG. 2.

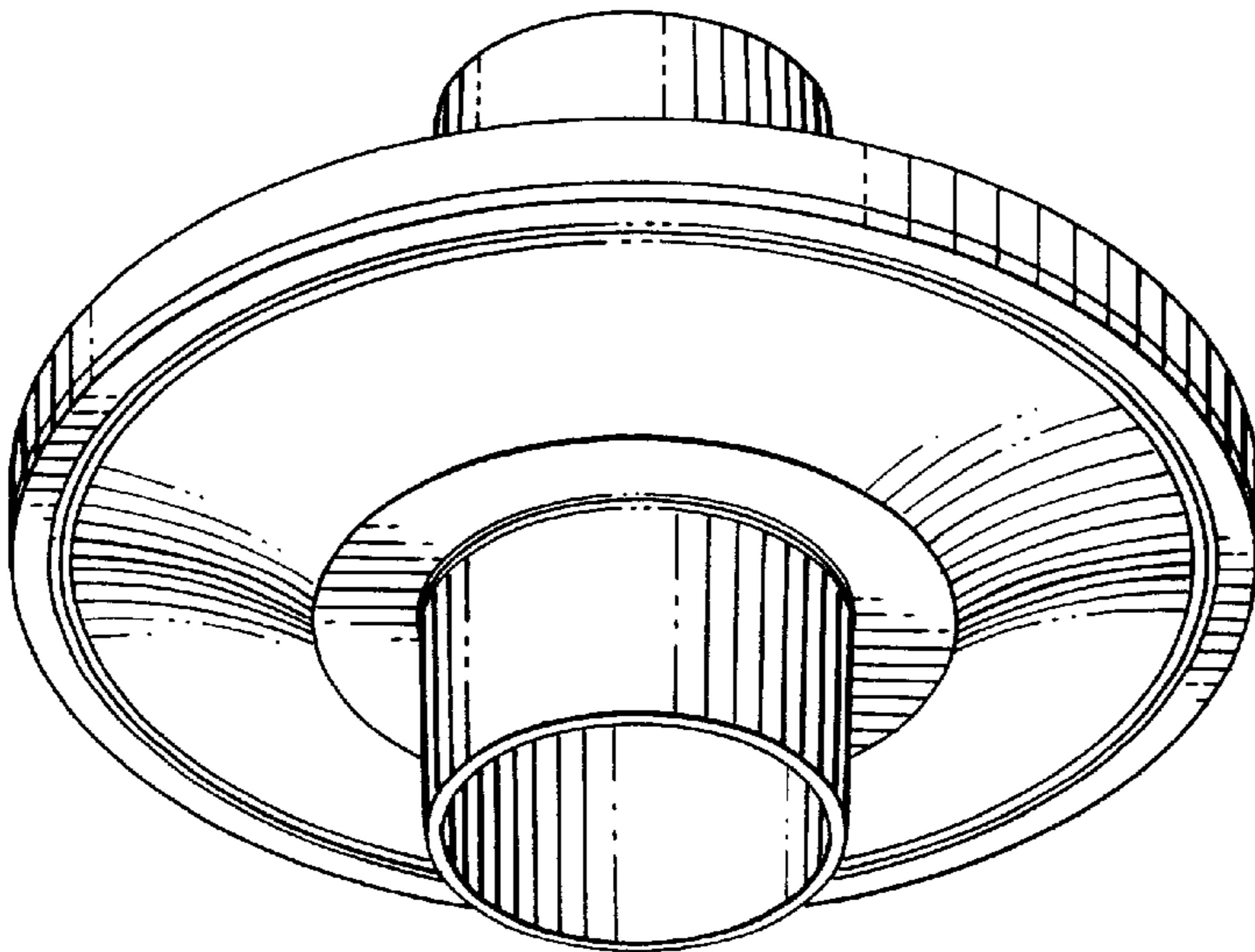
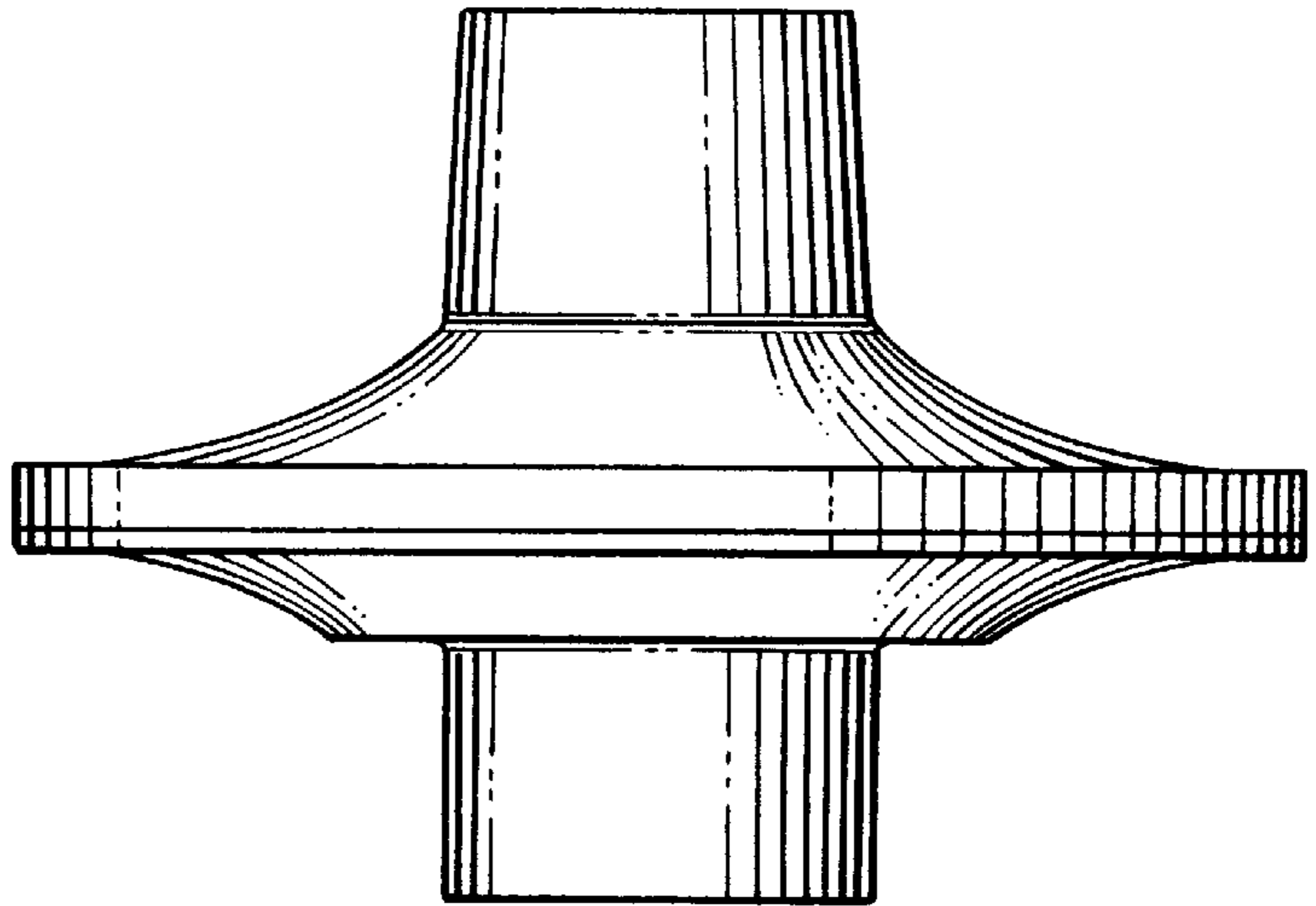


FIG. 3.

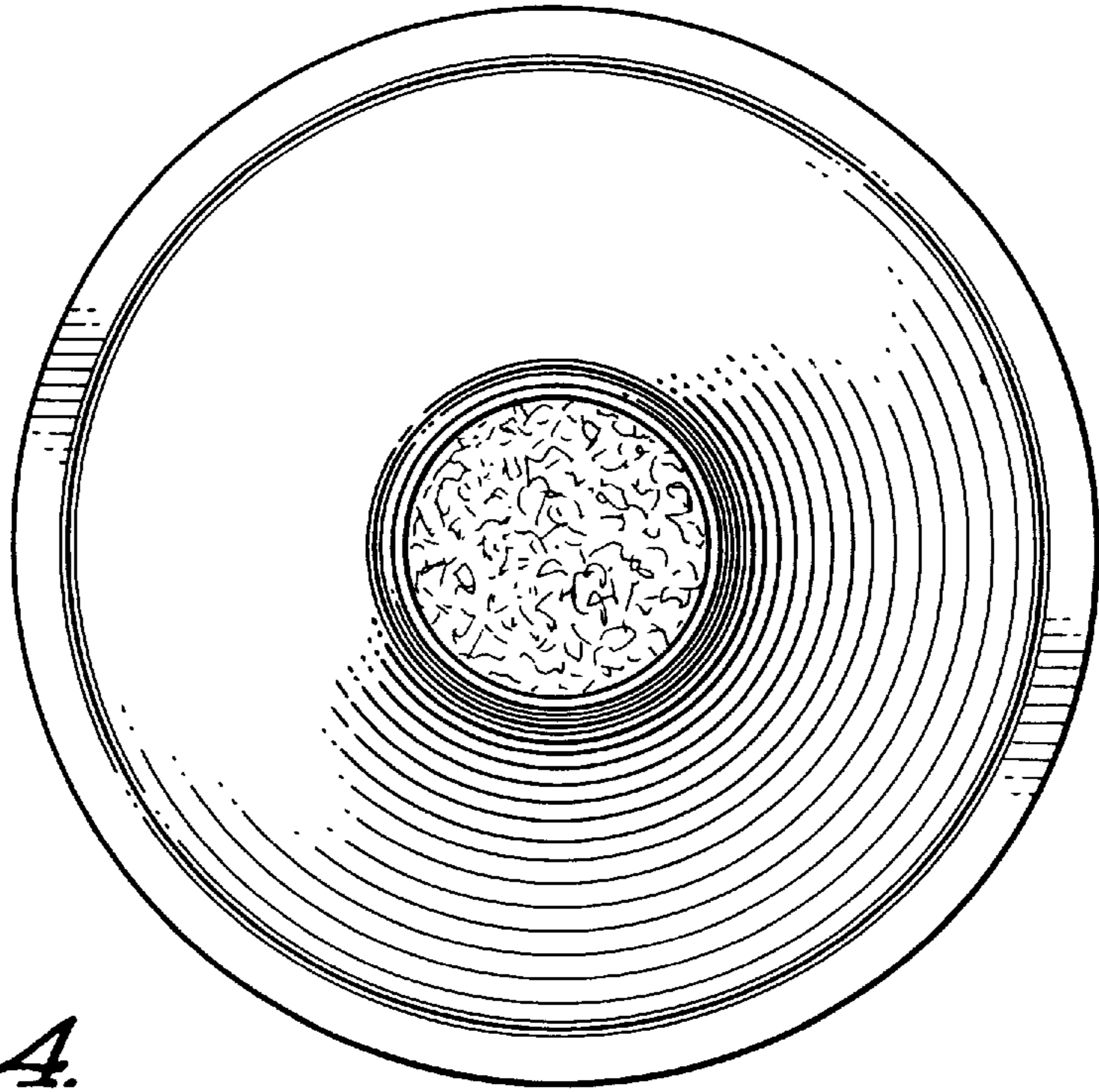


FIG. 4.

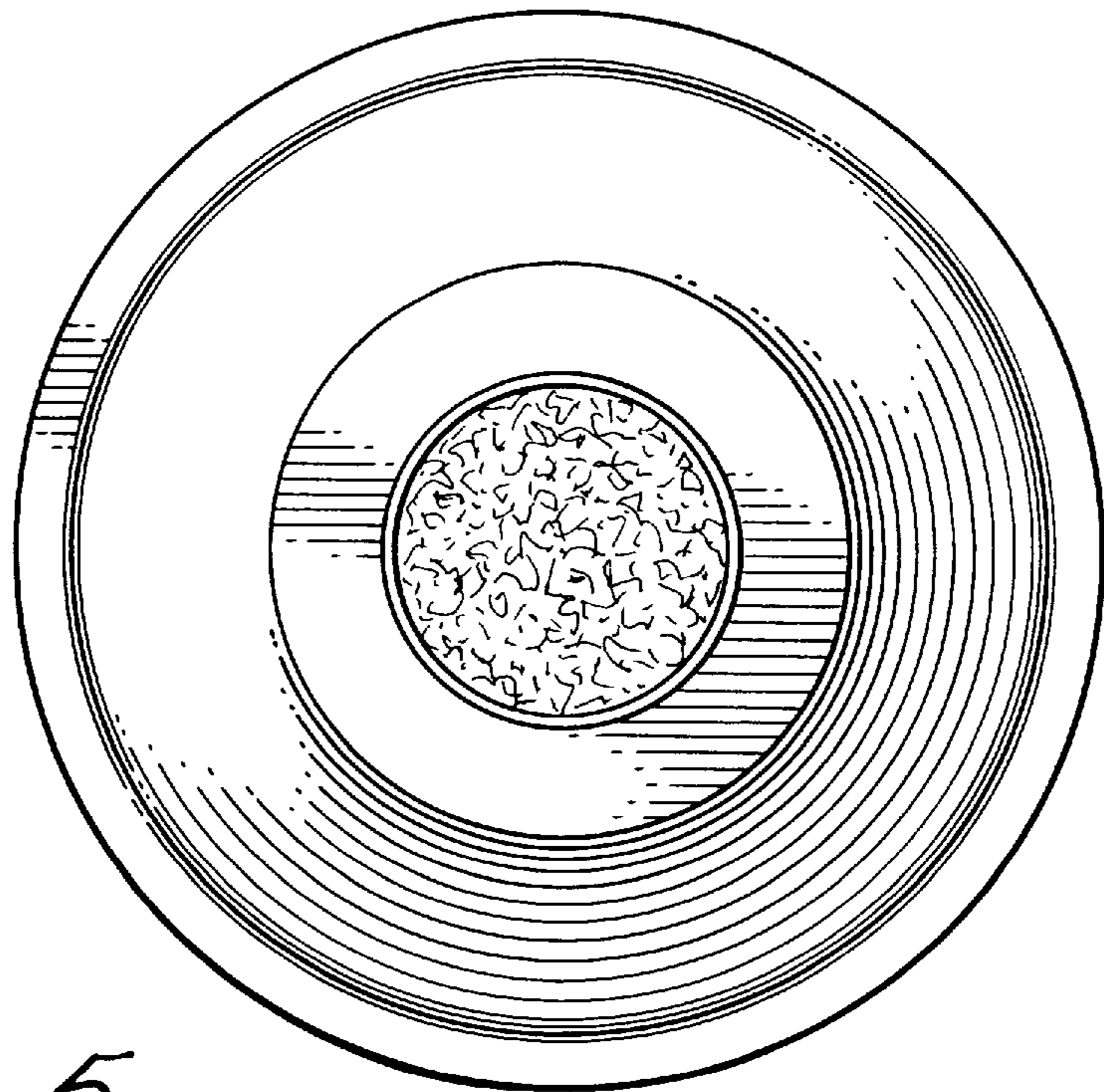


FIG. 5.