



US00D398059S

United States Patent [19]
Kwak

[11] **Patent Number: Des. 398,059**

[45] **Date of Patent: **Sep. 8, 1998**

[54] **ULTRASONIC DIAGNOSTIC UNIT FOR MEDICAL PURPOSES**

[75] Inventor: **Kee-Chan Kwak**, Inchun, Rep. of Korea

[73] Assignee: **Medison Co., Ltd.**, Kangwon-do, Rep. of Korea

[**] Term: **14 Years**

[21] Appl. No.: **68,727**

[22] Filed: **Mar. 17, 1997**

[30] **Foreign Application Priority Data**

Sep. 17, 1996 [KR] Rep. of Korea 96 19802

[51] **LOC (6) Cl.** **24-01**

[52] **U.S. Cl.** **D24/160**

[58] **Field of Search** D24/158, 160; 128/660.01, 660.02, 660.03, 660.07, 653

[56] **References Cited**

U.S. PATENT DOCUMENTS

D. 285,484 9/1986 LaCelle et al. D24/160

D. 300,241 3/1989 LaCelle et al. D24/160
D. 318,918 8/1991 Takaki et al. D24/160
D. 354,353 1/1995 Ishizuka et al. D24/160
D. 365,148 12/1995 Murakami et al. D24/160
D. 368,521 4/1996 Asai et al. D24/160
4,625,731 12/1986 Quedens et al. 128/660.01

Primary Examiner—Stella Reid
Attorney, Agent, or Firm—Dilworth & Barrese

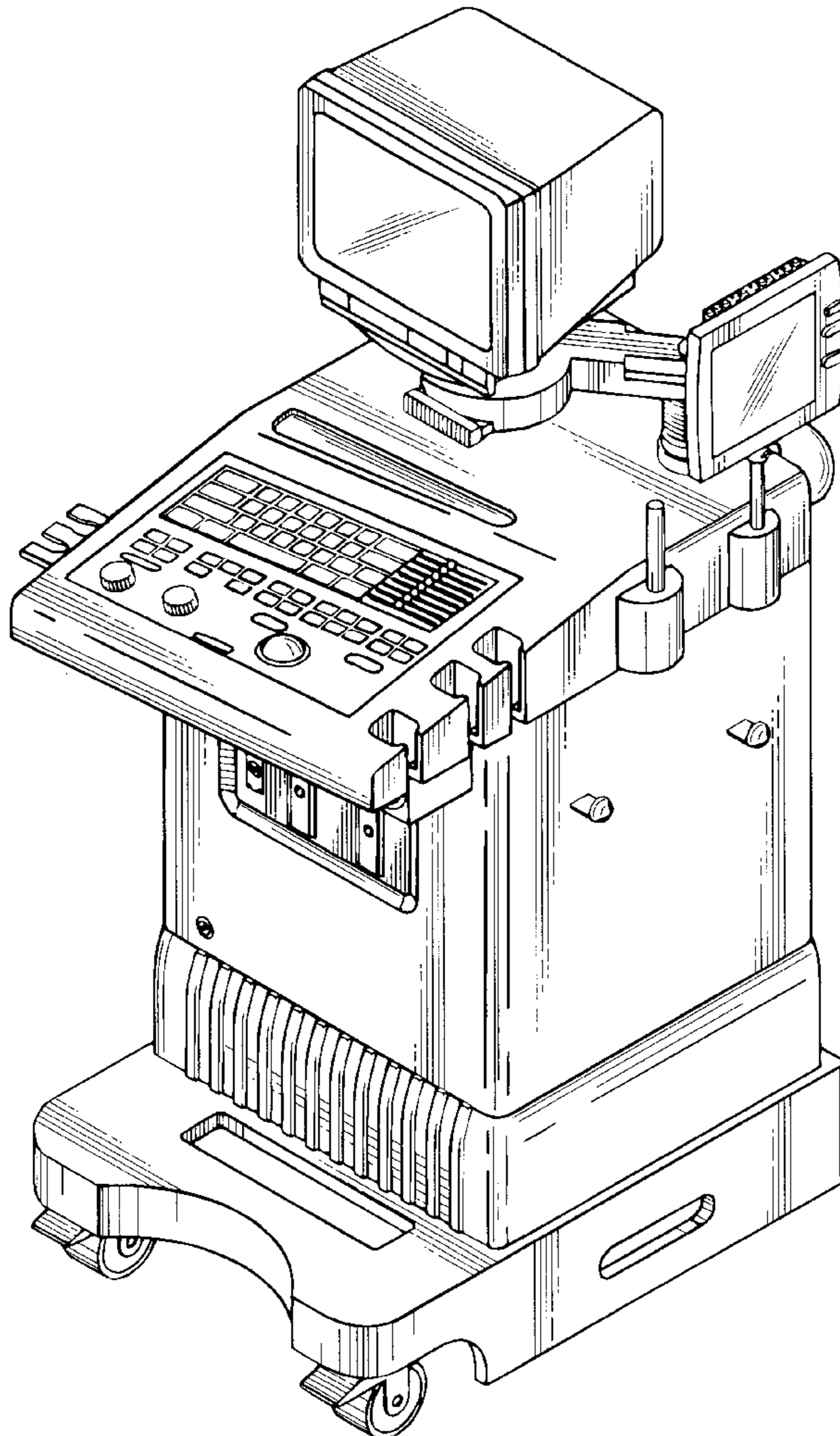
[57] **CLAIM**

The ornamental design for an ultrasonic diagnostic unit for medical purposes, as shown and described.

DESCRIPTION

FIG. 1 is a right side perspective view of the ultrasonic diagnostic unit;
FIG. 2 is a front elevational view thereof;
FIG. 3 is a rear elevational view thereof;
FIG. 4 is a left side elevational view thereof;
FIG. 5 is a right side elevational view thereof;
FIG. 6 is a top plan view thereof; and,
FIG. 7 is a bottom plan view thereof.

1 Claim, 4 Drawing Sheets



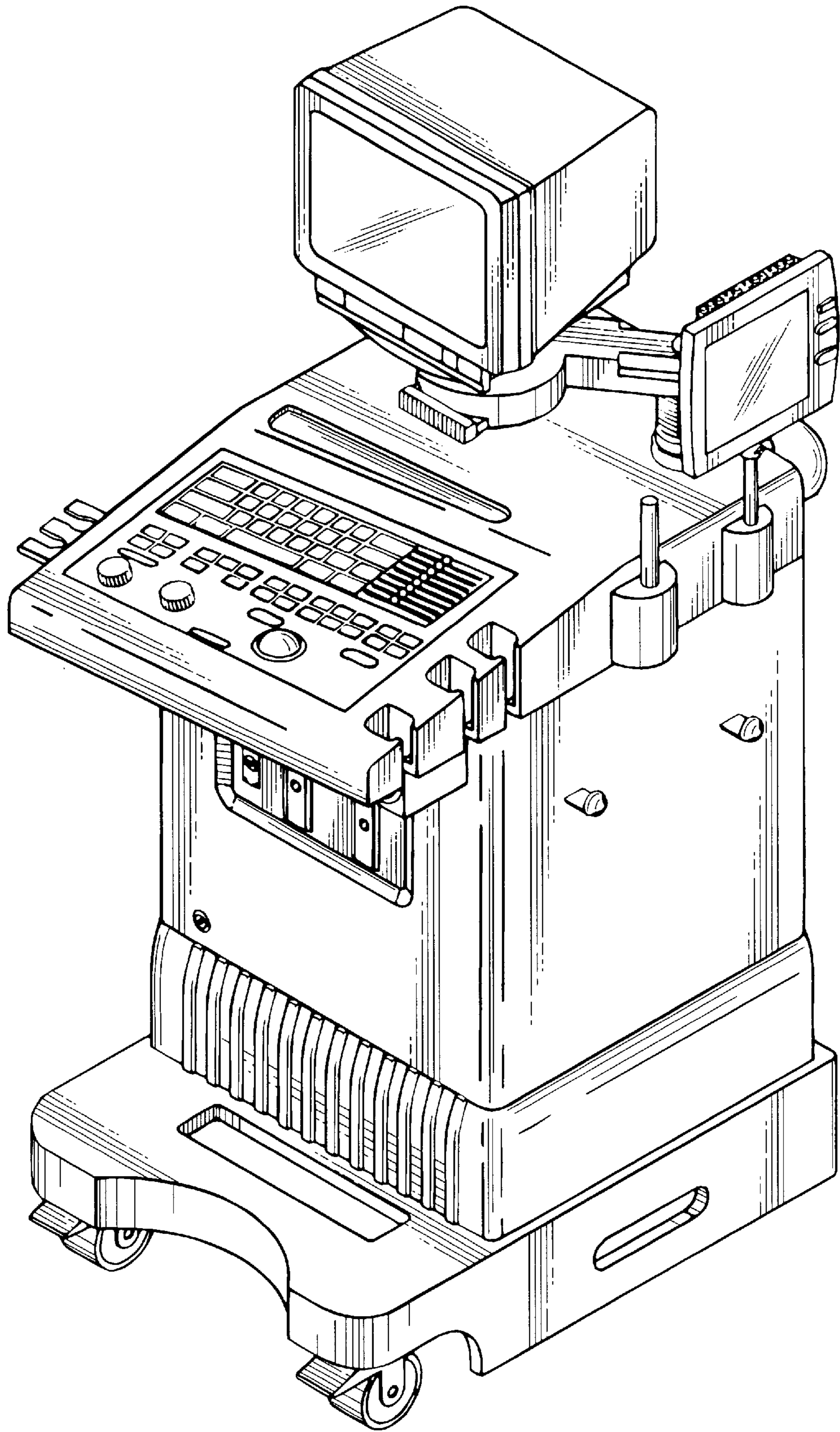


Fig. 1

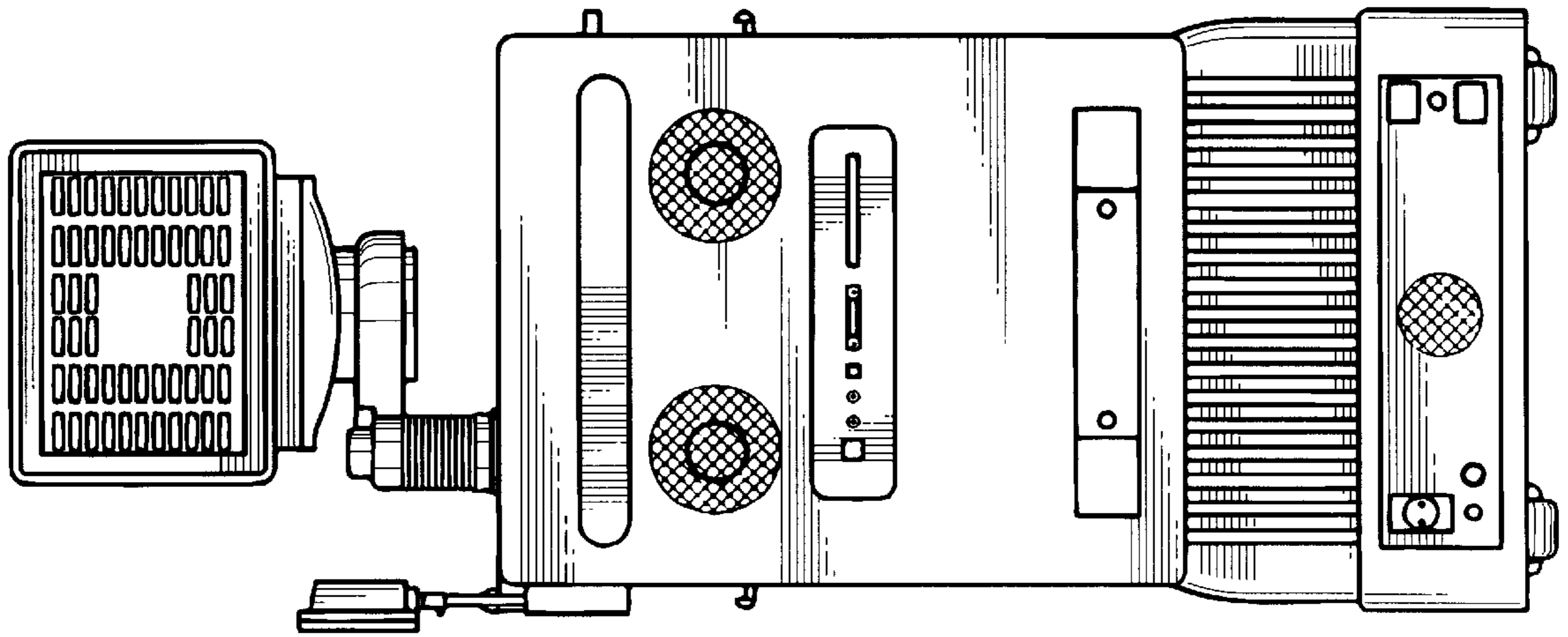


Fig. 3

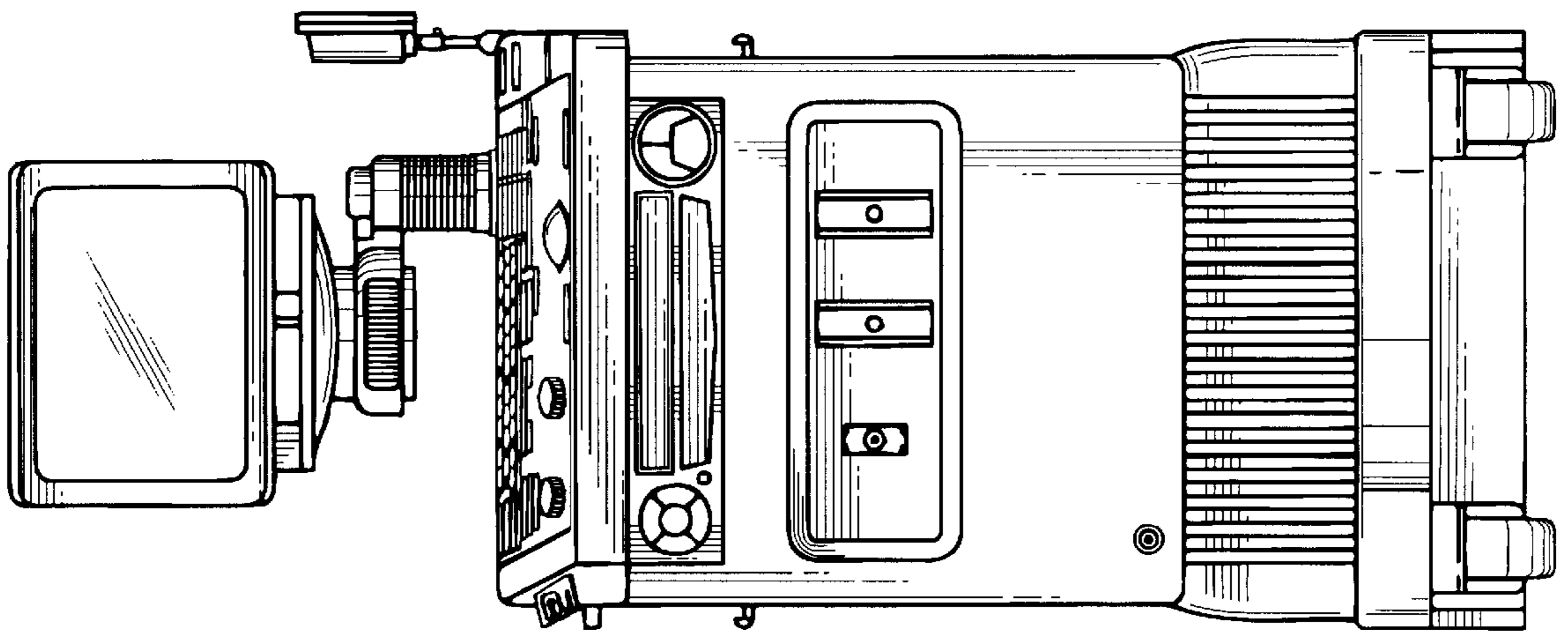


Fig. 2

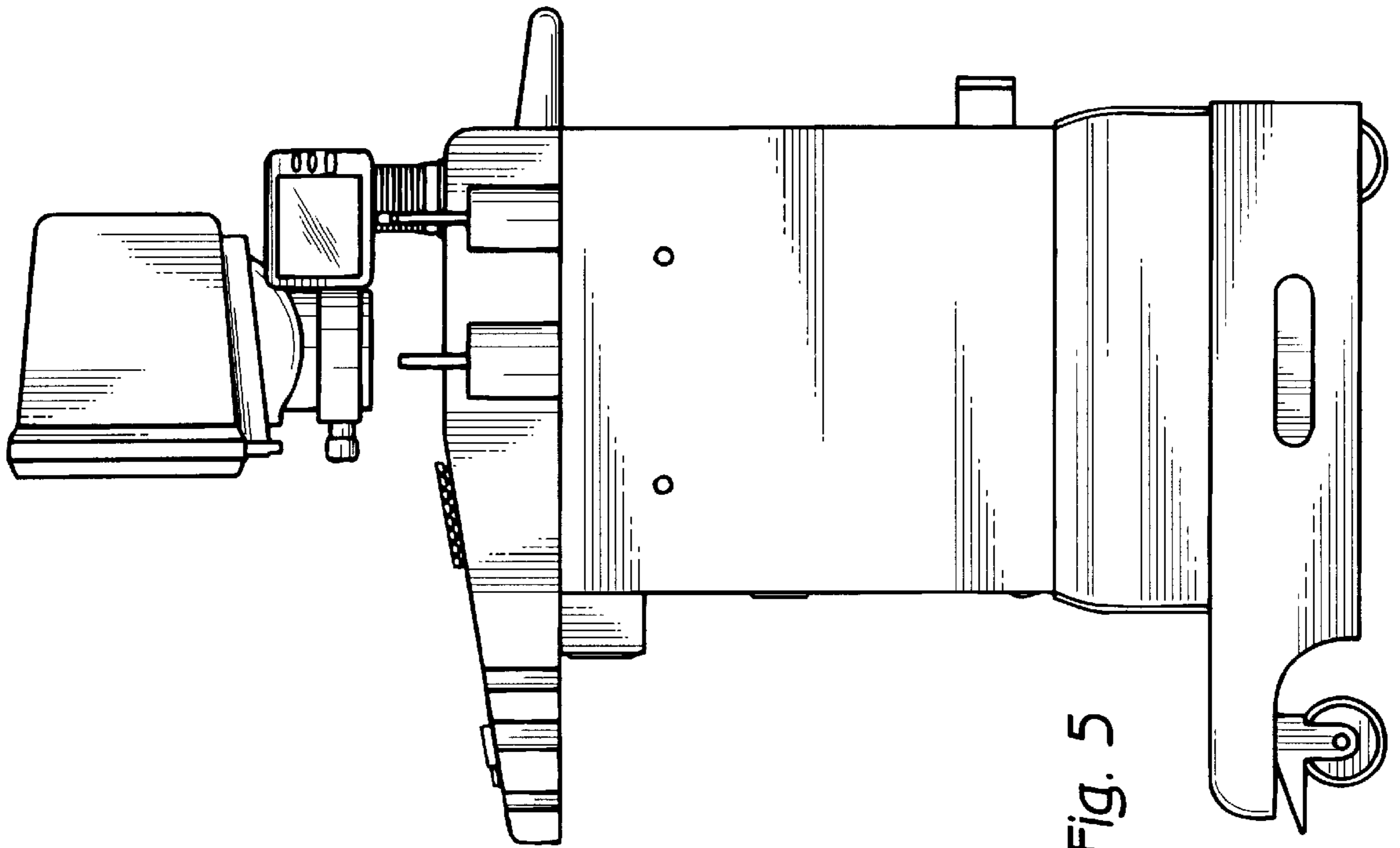


Fig. 5

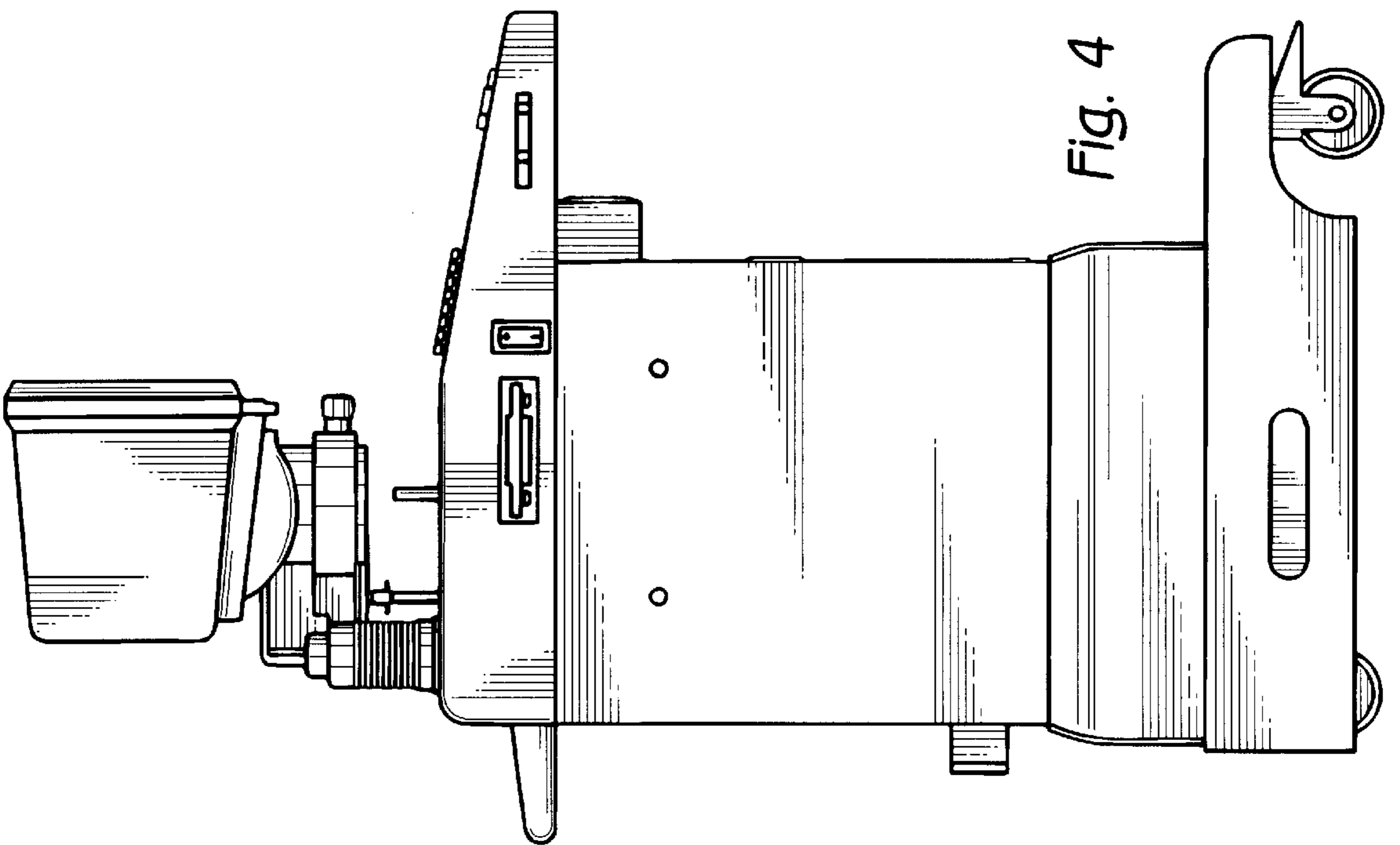


Fig. 4

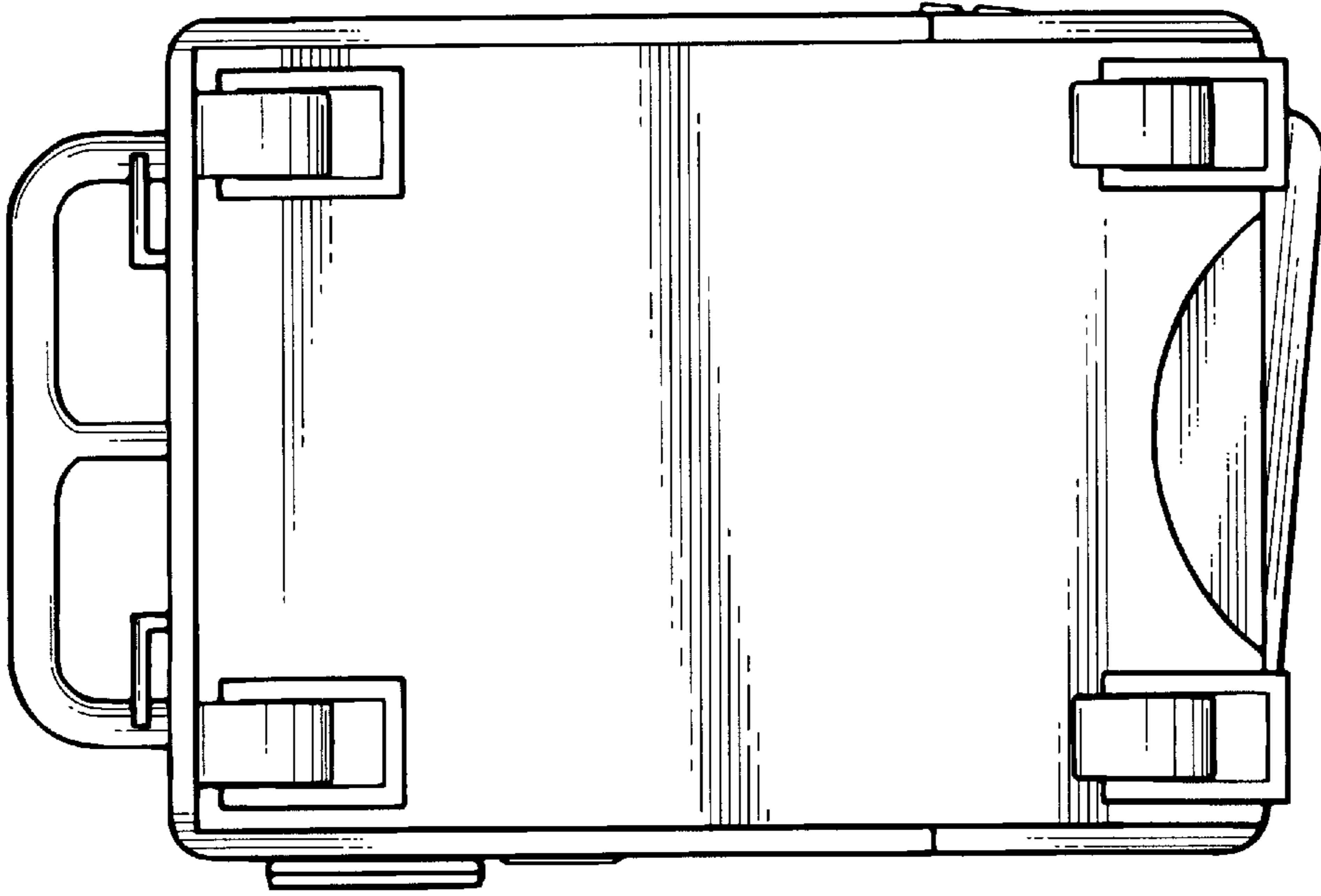


Fig. 7

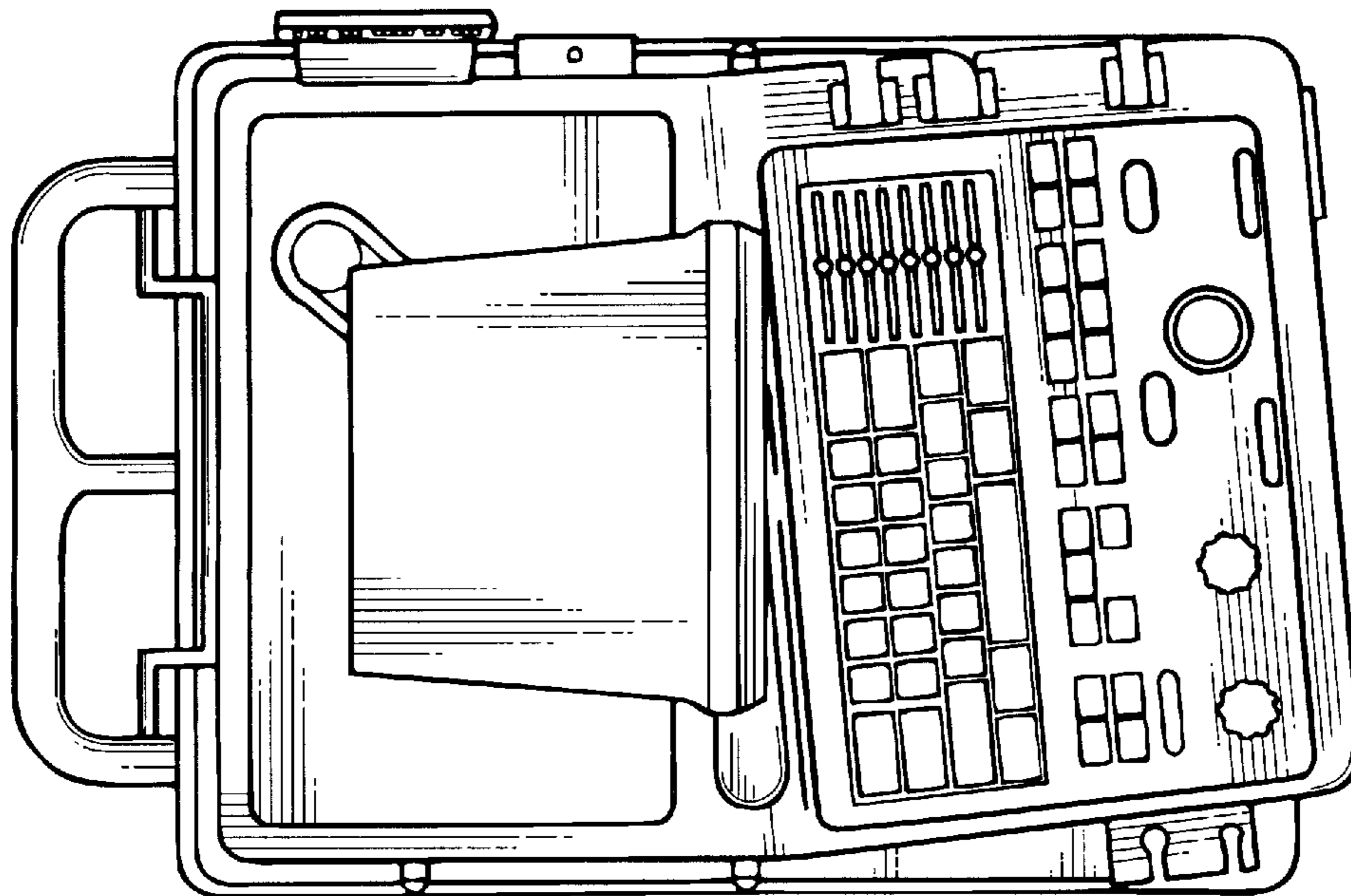


Fig. 6