



US00D398056S

**United States Patent** [19]  
**Rashman**

[11] **Patent Number: Des. 398,056**

[45] **Date of Patent: \*\*Sep. 8, 1998**

[54] **STETHOSCOPE DRUM**

[75] Inventor: **Richard Rashman**, Los Angeles, Calif.

[73] Assignee: **Prestige Medical Corporation**,  
Northridge, Calif.

[\*\*] Term: **14 Years**

[21] Appl. No.: **75,366**

[22] Filed: **Aug. 14, 1997**

[51] **LOC (6) Cl.** ..... **24-02**

[52] **U.S. Cl.** ..... **D24/134**

[58] **Field of Search** ..... D24/134; 181/131,  
181/135; 128/715

[56] **References Cited**

**U.S. PATENT DOCUMENTS**

3,621,845	11/1971	Oates	.....	D24/134
4,502,562	3/1985	Nelson	.....	181/131
5,498,841	3/1996	Allen	.....	181/131
5,514,840	5/1996	Selinger	.....	181/131

*Primary Examiner*—Doris Clark

*Attorney, Agent, or Firm*—Blakely Sokoloff Taylor & Zafman

[57] **CLAIM**

The ornamental design for a stethoscope drum, as shown and described.

**DESCRIPTION**

FIG. 1 is a side perspective view of the stethoscope drum design, additional elements of a stethoscope being shown in shadow line for illustrative purposes only and forms no part of the claimed design;

FIG. 2 is a side elevational view thereof, the opposite side being a mirror image thereof;

FIG. 3 is a rear elevational view thereof;

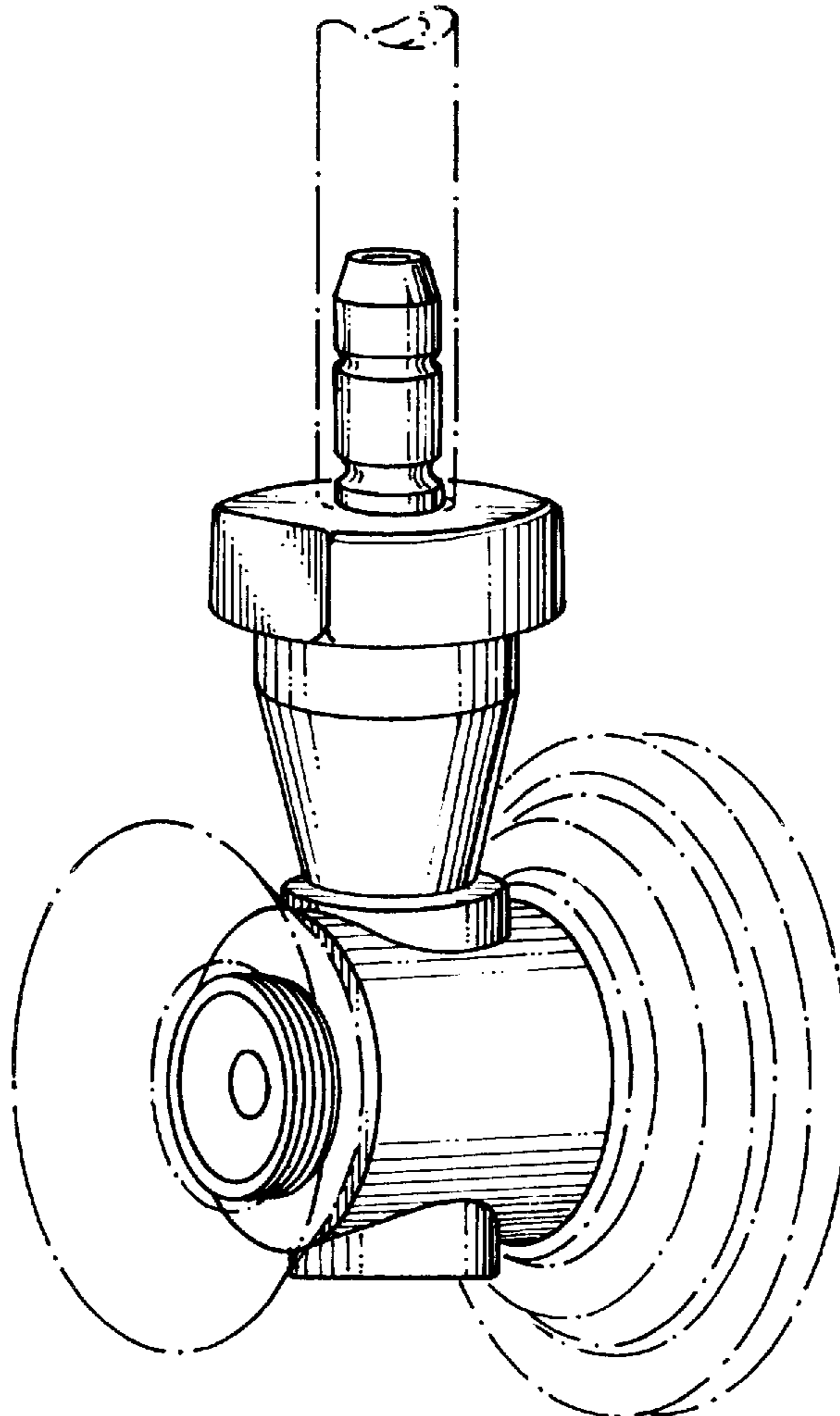
FIG. 4 is a front elevational view thereof;

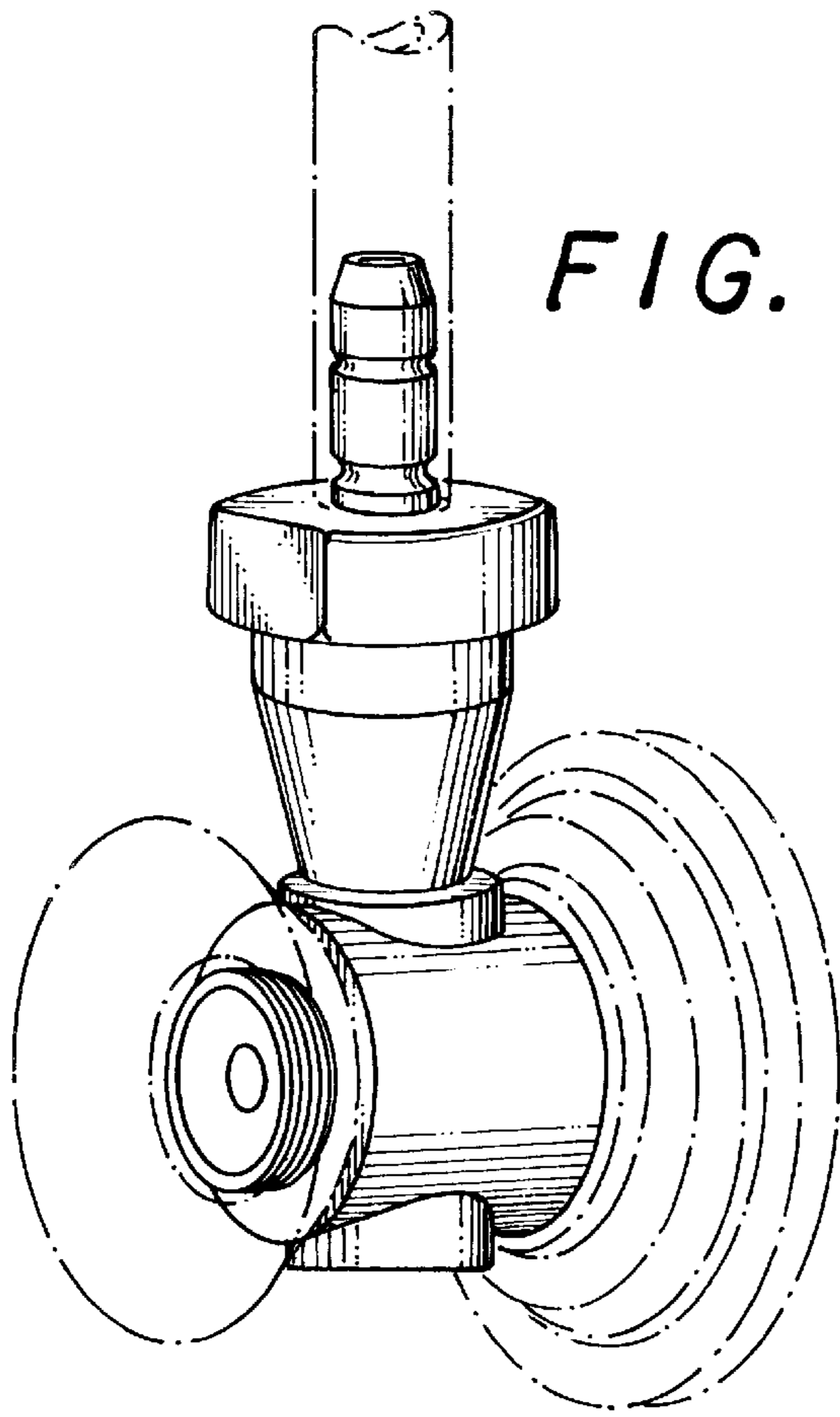
FIG. 5 is a bottom plan view thereof;

FIG. 6 is a top plan view thereof; and,

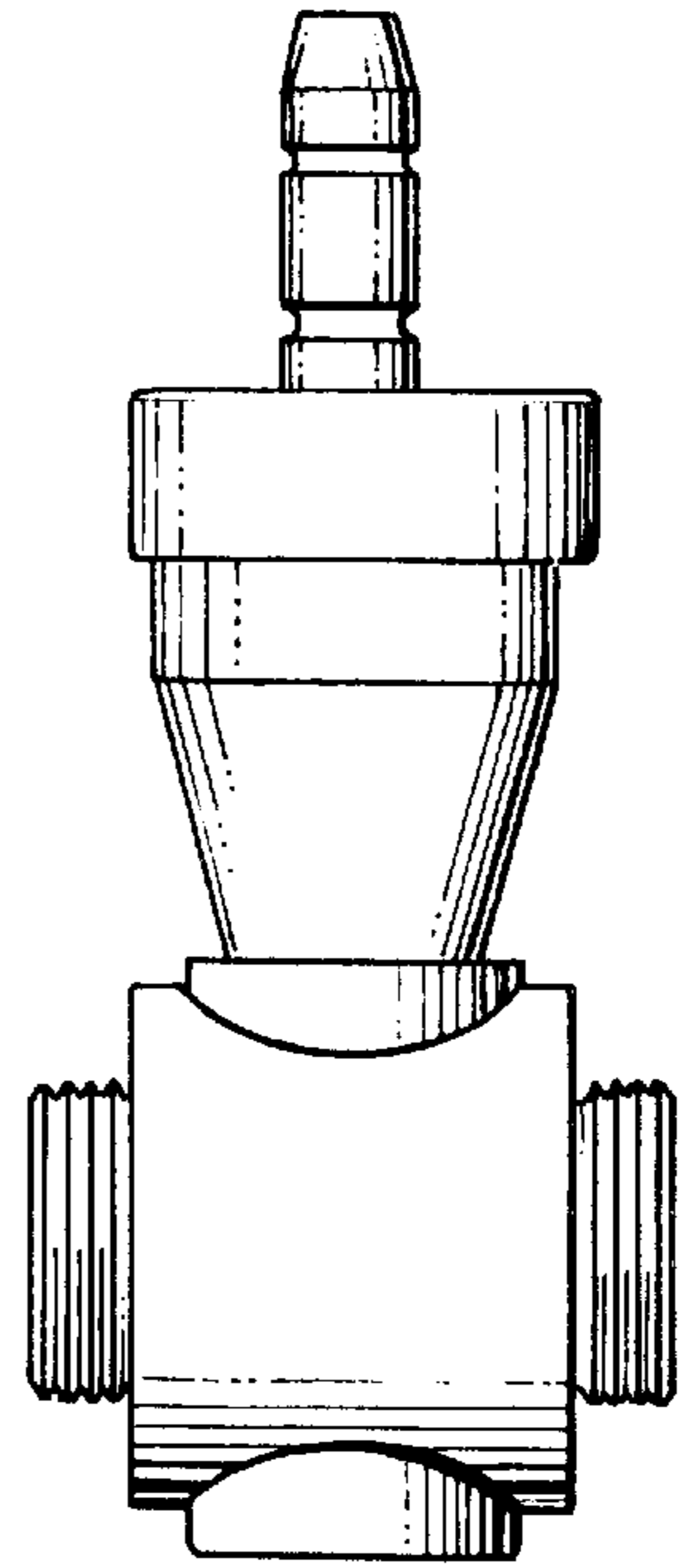
FIG. 7 is a side perspective view of an alternate embodiment thereof, the opposite side, the bottom, the front, and the rear are substantially similar to those views of the claimed design illustrated in FIGS. 2 through 5.

**1 Claim, 2 Drawing Sheets**

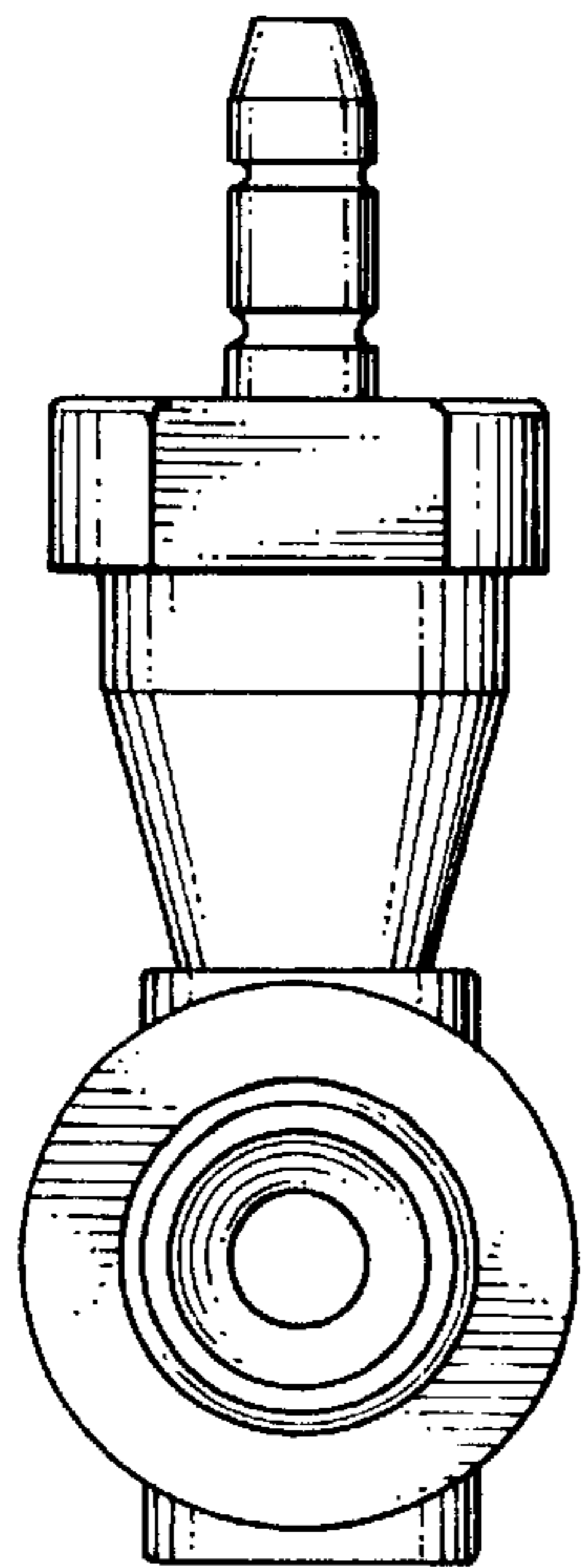




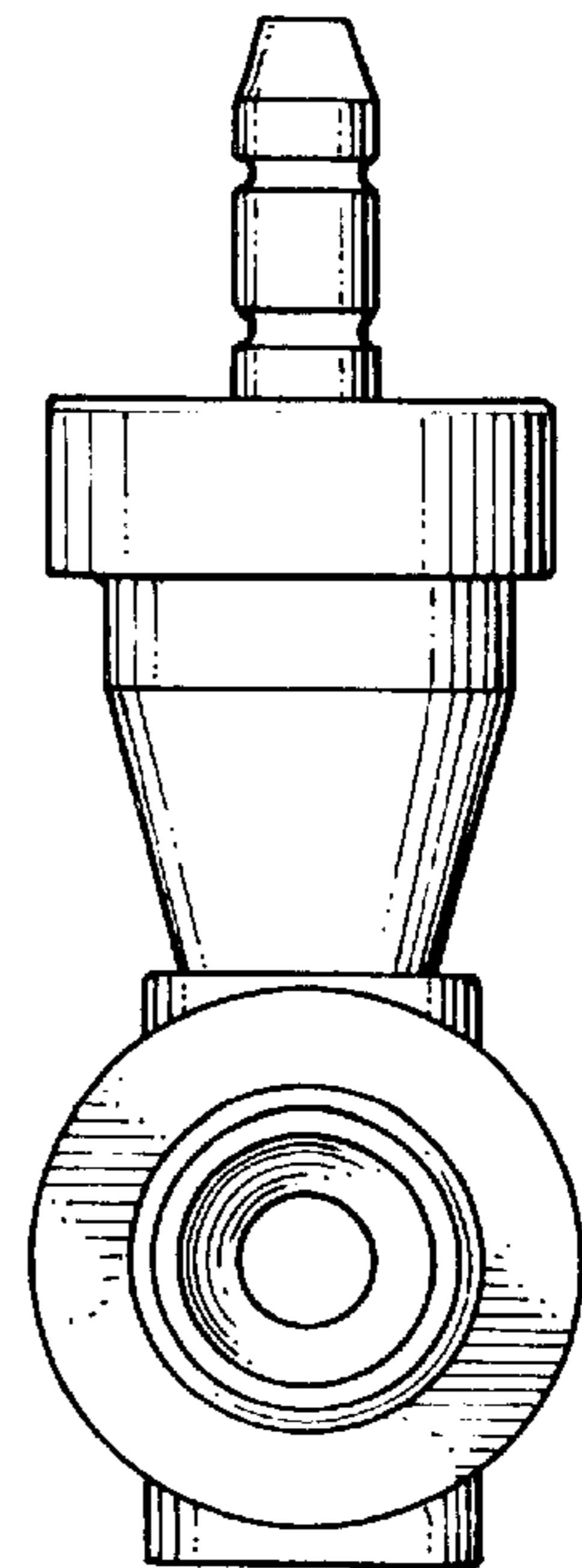
*FIG. 1*



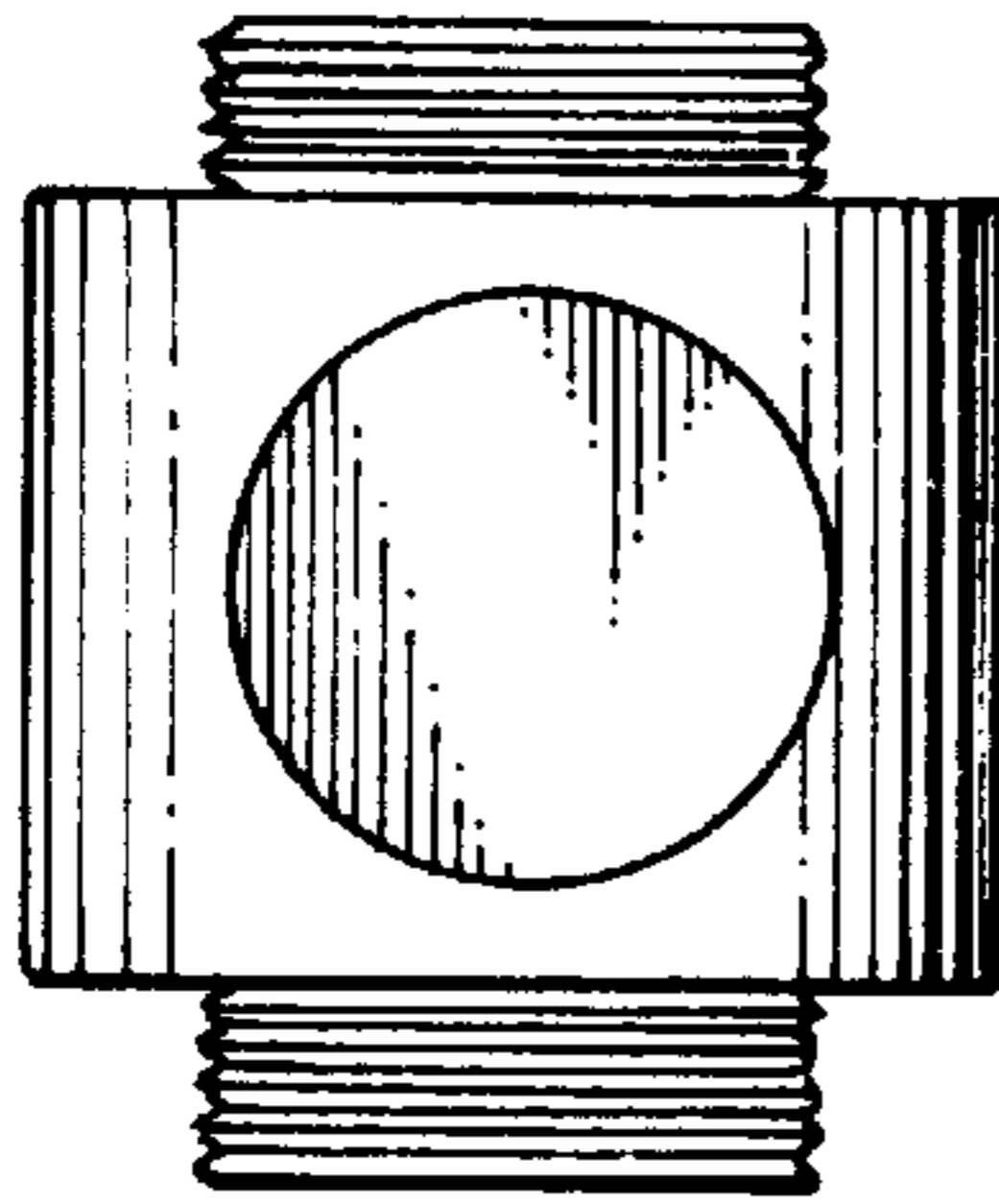
*FIG. 2*



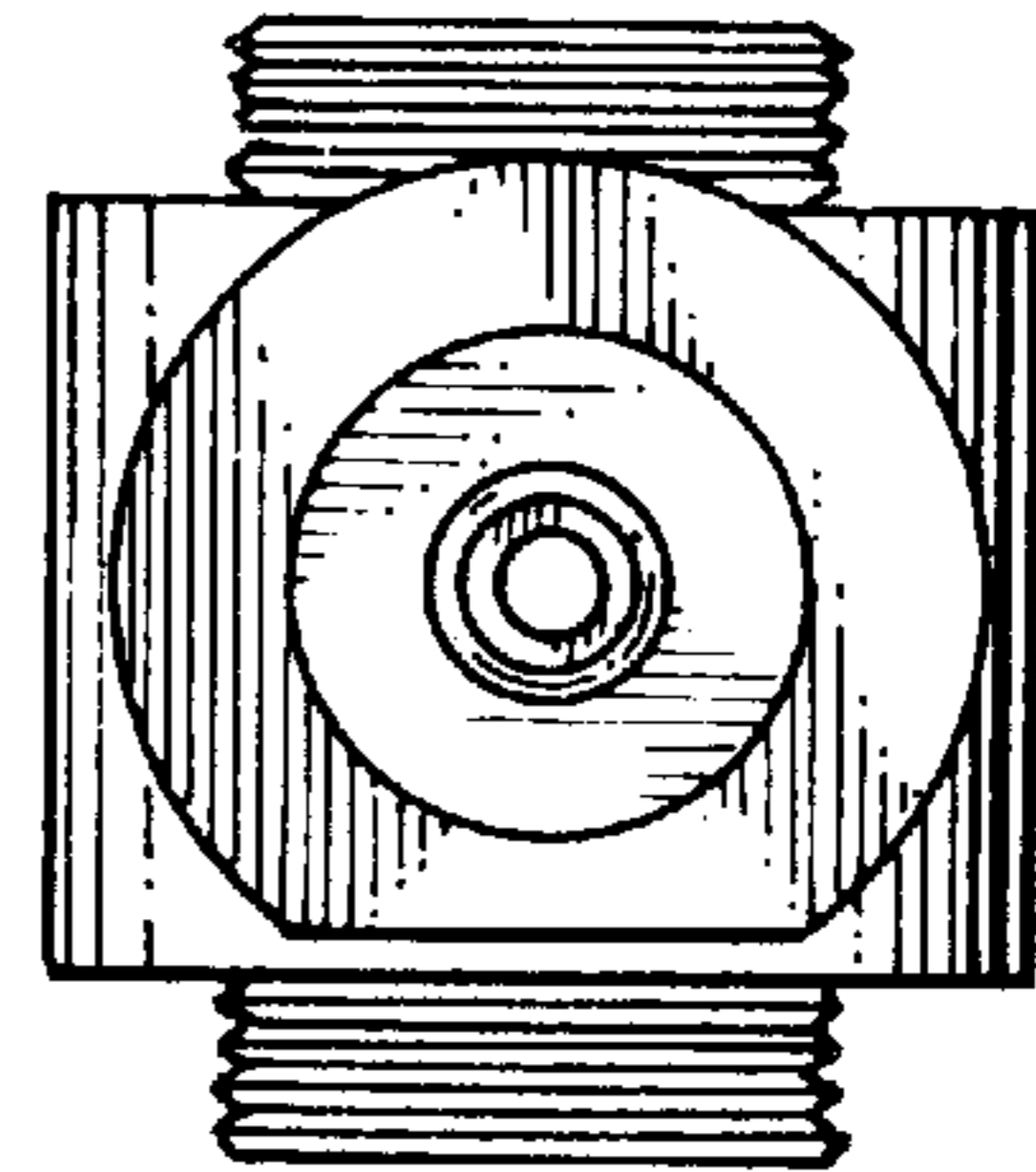
*FIG. 3*



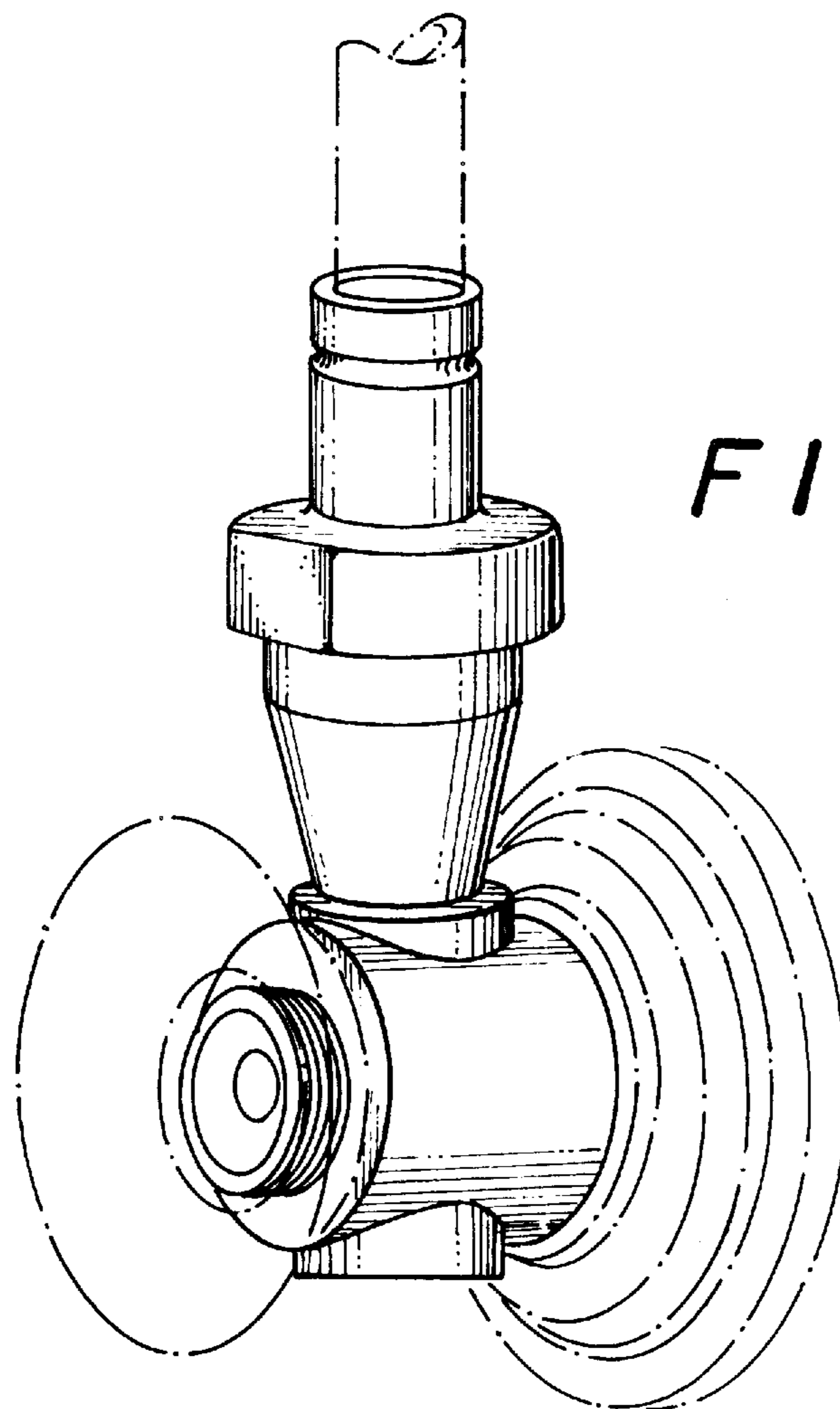
*FIG. 4*



*FIG. 5*



*FIG. 6*



*FIG. 7*