



US00D398053S

# United States Patent [19]

Sealfon

[11] Patent Number: **Des. 398,053**

[45] Date of Patent: **\*\*Sep. 8, 1998**

[54] **IV PUMP**

[76] Inventor: **Andrew I. Sealfon**, 24 Carpenter Rd.,  
Chester, N.Y. 10918

[\*\*] Term: **14 Years**

[21] Appl. No.: **68,582**

[22] Filed: **Mar. 24, 1997**

[51] **LOC (6) Cl.** ..... **24-02**

[52] **U.S. Cl.** ..... **D24/111**

[58] **Field of Search** ..... D24/112, 111,  
D24/113, 129; 604/80, 131, 132, 251, 250,  
246, 151, 153, 67; 417/234, 474, 477

[56] **References Cited**

**U.S. PATENT DOCUMENTS**

D. 361,379	8/1995	Sancoff et al. ....	D24/111
D. 371,194	6/1996	Marston et al. ....	D24/111
4,472,116	9/1984	Wenstrup .....	417/477
5,195,986	3/1993	Kamen .....	604/251
5,336,189	8/1994	Sealfon .....	604/246 X

5,364,364	11/1994	Kasvikis et al. ....	604/131 X
5,575,632	11/1996	Morris et al. ....	417/474 R
5,611,784	3/1997	Barresi et al. ....	604/246 X
5,683,367	11/1997	Jordan et al. ....	604/153 X

*Primary Examiner*—Susan J. Lucas  
*Assistant Examiner*—Cynthia E. Ramirez  
*Attorney, Agent, or Firm*—Myron Amer PC

[57] **CLAIM**

The ornamental design for a IV pump, as shown and described

**DESCRIPTION**

FIG. 1 is a perspective view of a IV pump showing my new design;  
FIG. 2 is a front elevational view thereof;  
FIG. 3 is a rear elevational view thereof;  
FIG. 4 is a right side elevation view thereof;  
FIG. 5 is a left side elevational view thereof;  
FIG. 6 is a top plan view thereof; and,  
FIG. 7 is a bottom plan view thereof.

**1 Claim, 3 Drawing Sheets**

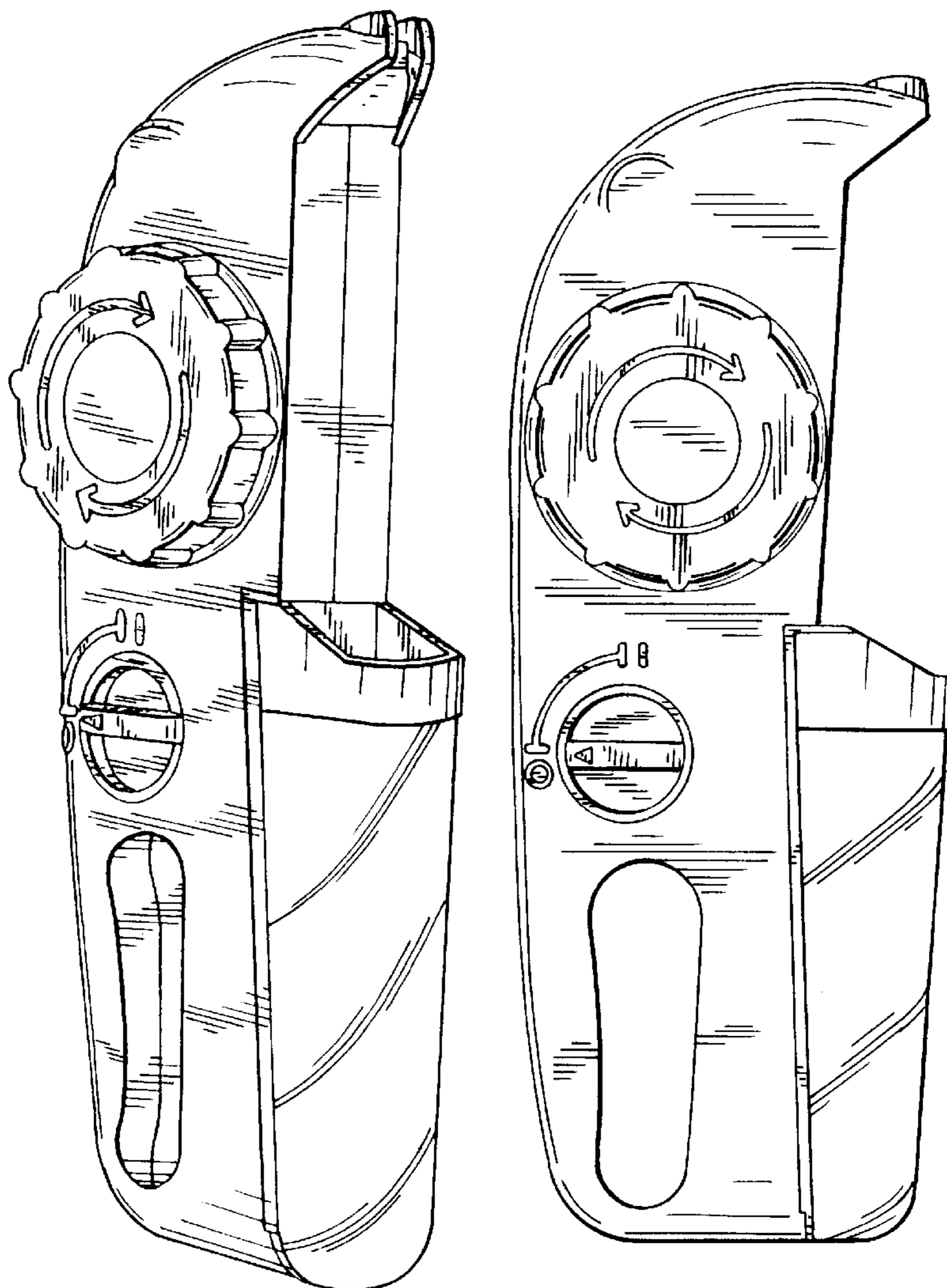


FIG. 1

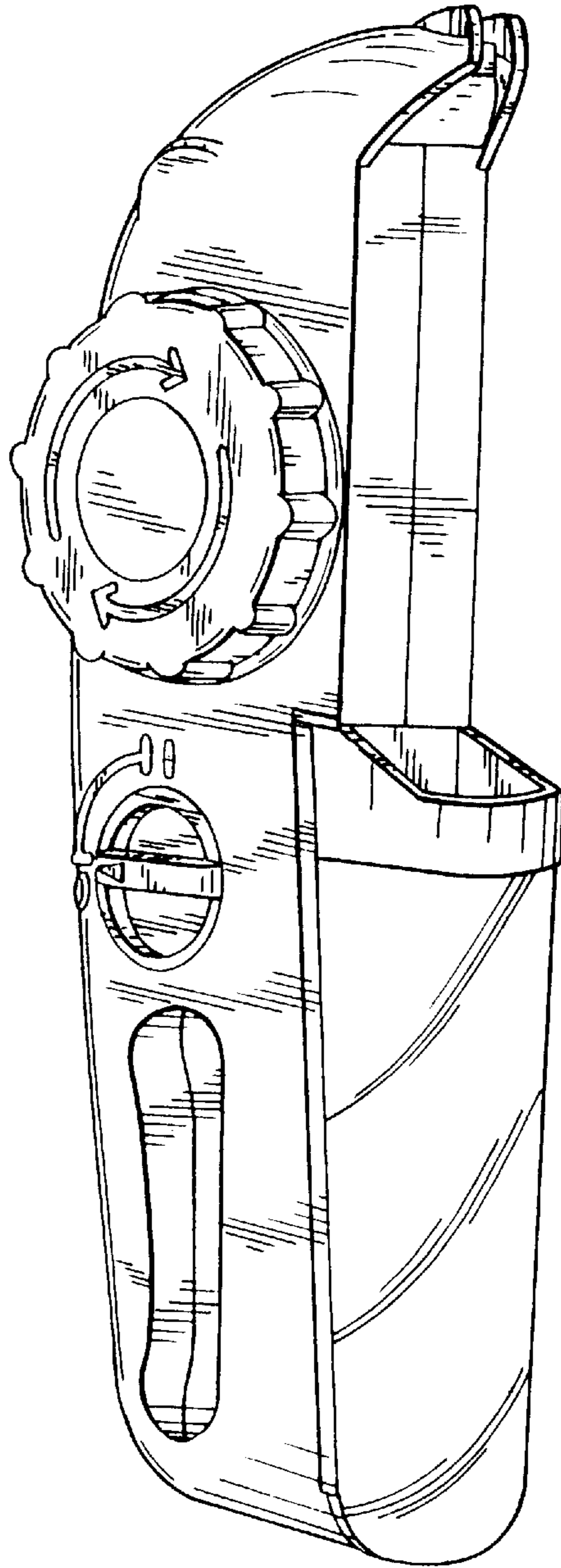


FIG. 2

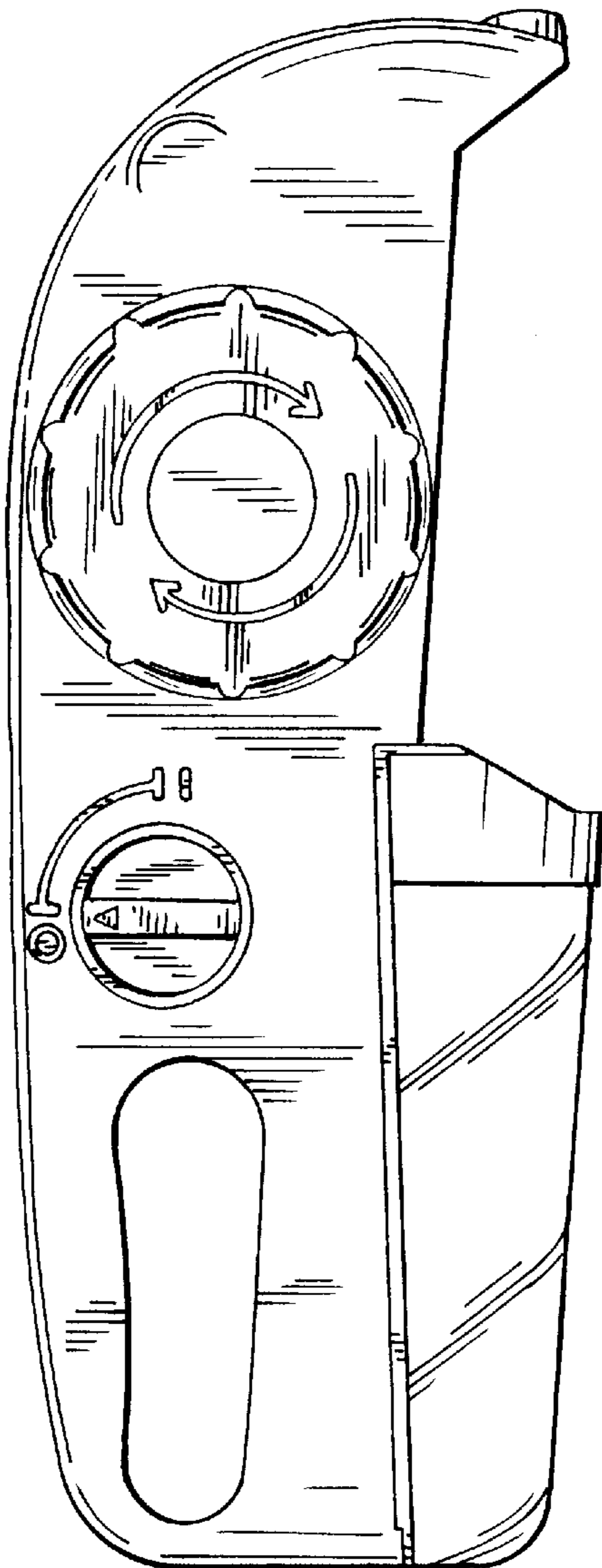


FIG. 3

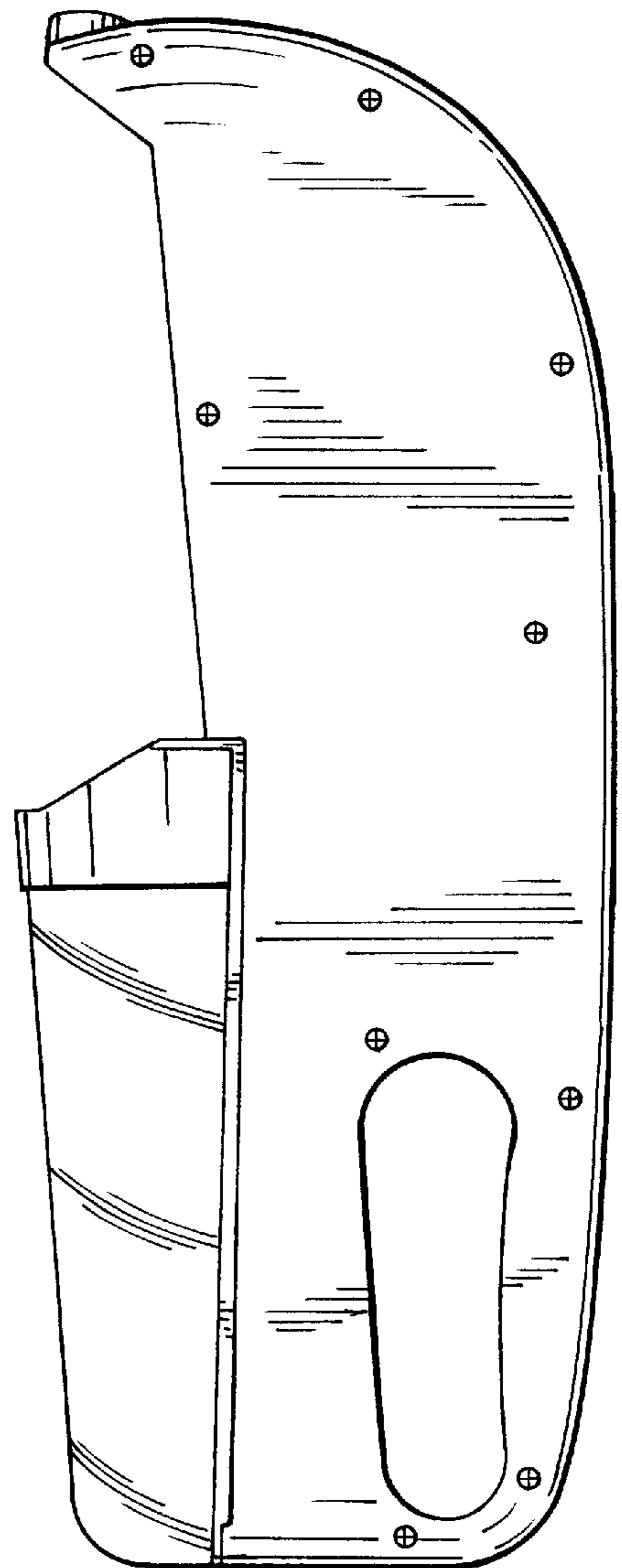


FIG. 4

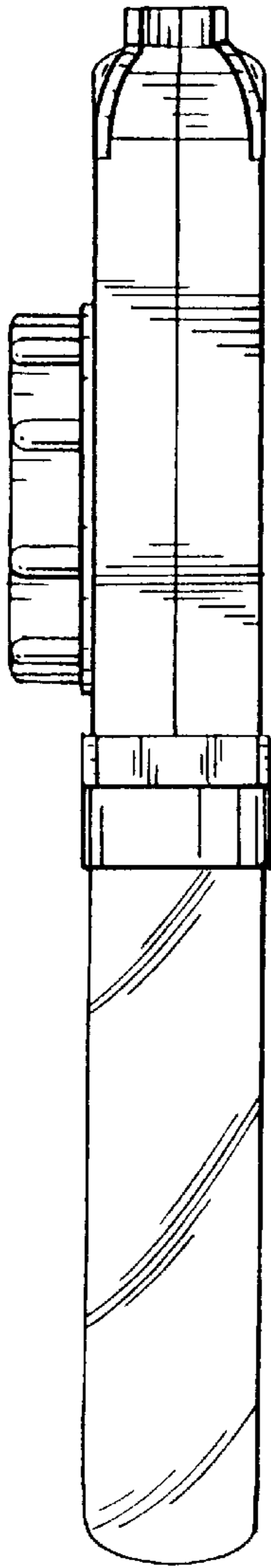


FIG. 5

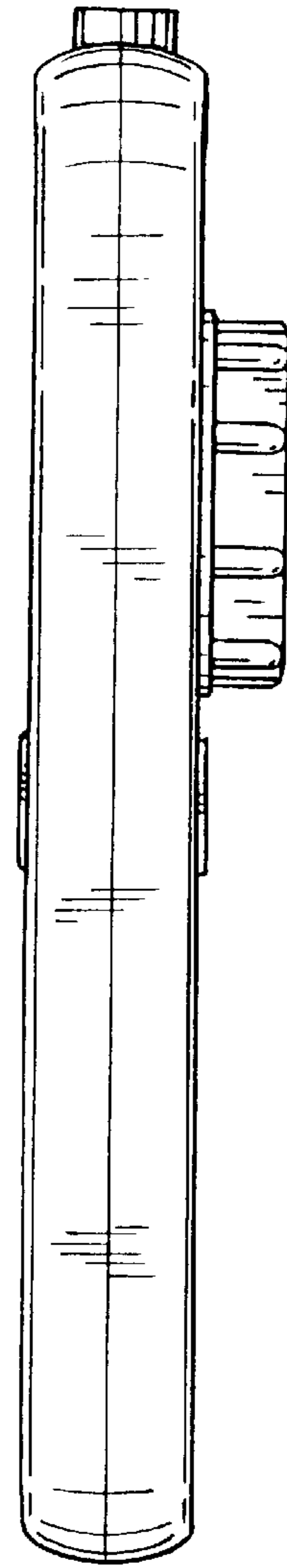


FIG. 6

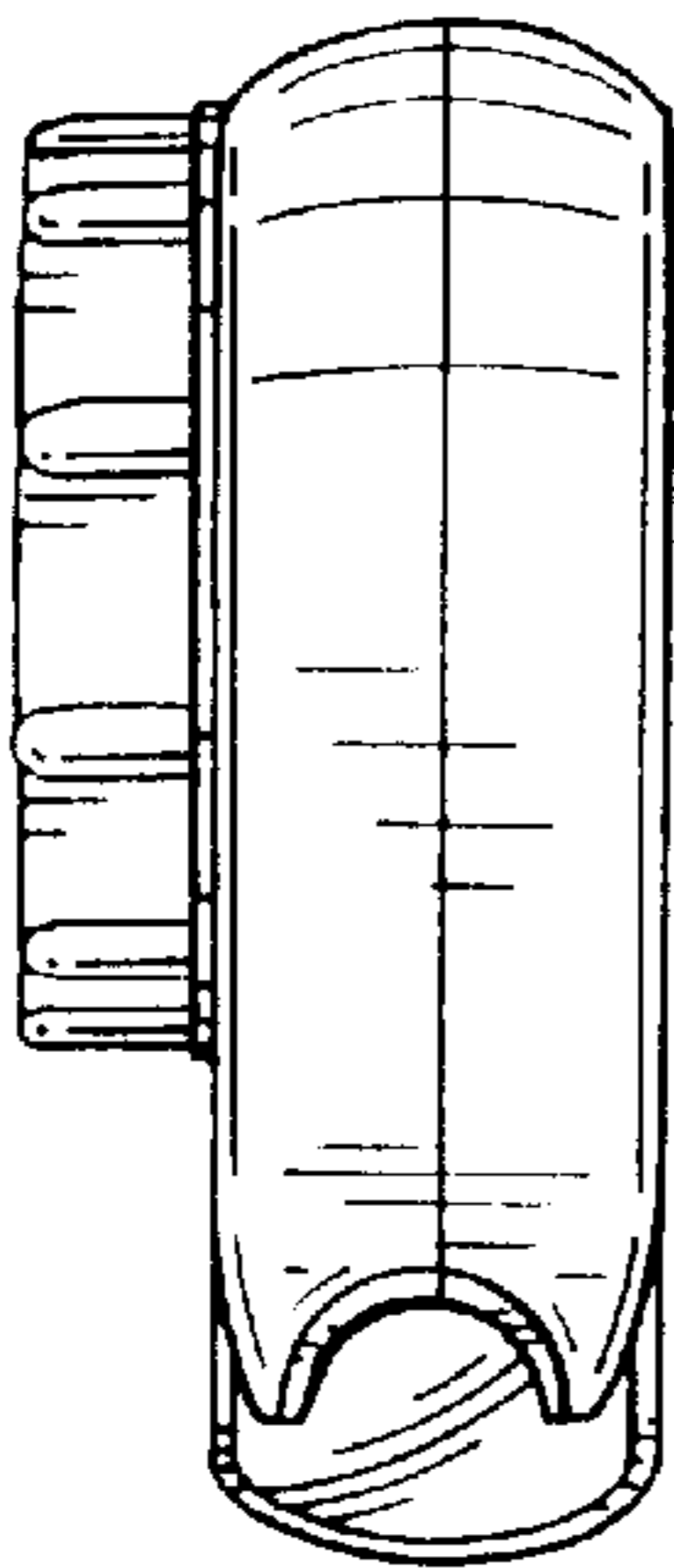


FIG. 7

