



US00D398051S

# United States Patent [19]

Lanigan et al.

[11] Patent Number: **Des. 398,051**

[45] Date of Patent: **\*\*Sep. 8, 1998**

[54] **DISPOSABLE CASSETTE FOR A BEDSIDE PHARMACY SYSTEM**

[75] Inventors: **Richard Lanigan**, Concord, N.H.;  
**Charles M. Grinnell**, Groton, Mass.;  
**Kevin Grant**, Manchester; **Marc A. Mandro**, Bow, both of N.H.

[73] Assignee: **DEKA Products Limited Partnership**,  
Manchester, N.H.

[\*\*] Term: **14 Years**

[21] Appl. No.: **75,746**

[22] Filed: **Aug. 22, 1997**

[51] **LOC (6) Cl.** ..... **24-02**

[52] **U.S. Cl.** ..... **D24/108**

[58] **Field of Search** ..... D24/108, 186,  
D24/107, 133, 140, 232; 604/81, 892.1,  
890.1, 200, 207, 232, 195, 67; 128/21,  
200.14, 200.19, 200.23, 662.06; 364/478,  
479; D14/121; D10/46

[56] **References Cited**

**U.S. PATENT DOCUMENTS**

D. 334,065 3/1993 Collister ..... D24/232  
4,553,958 11/1985 LeCocq ..... 604/67

4,608,042 8/1986 Vanderveen et al. .... 604/81  
4,673,389 6/1987 Archibald et al. .... 604/81  
4,946,439 8/1990 Eggers ..... 604/81  
5,153,511 10/1992 Lee ..... 324/115  
5,219,331 6/1993 Vanderveen ..... 604/81

*Primary Examiner*—Pamela Burgess  
*Attorney, Agent, or Firm*—Bromberg & Sunstein LLP

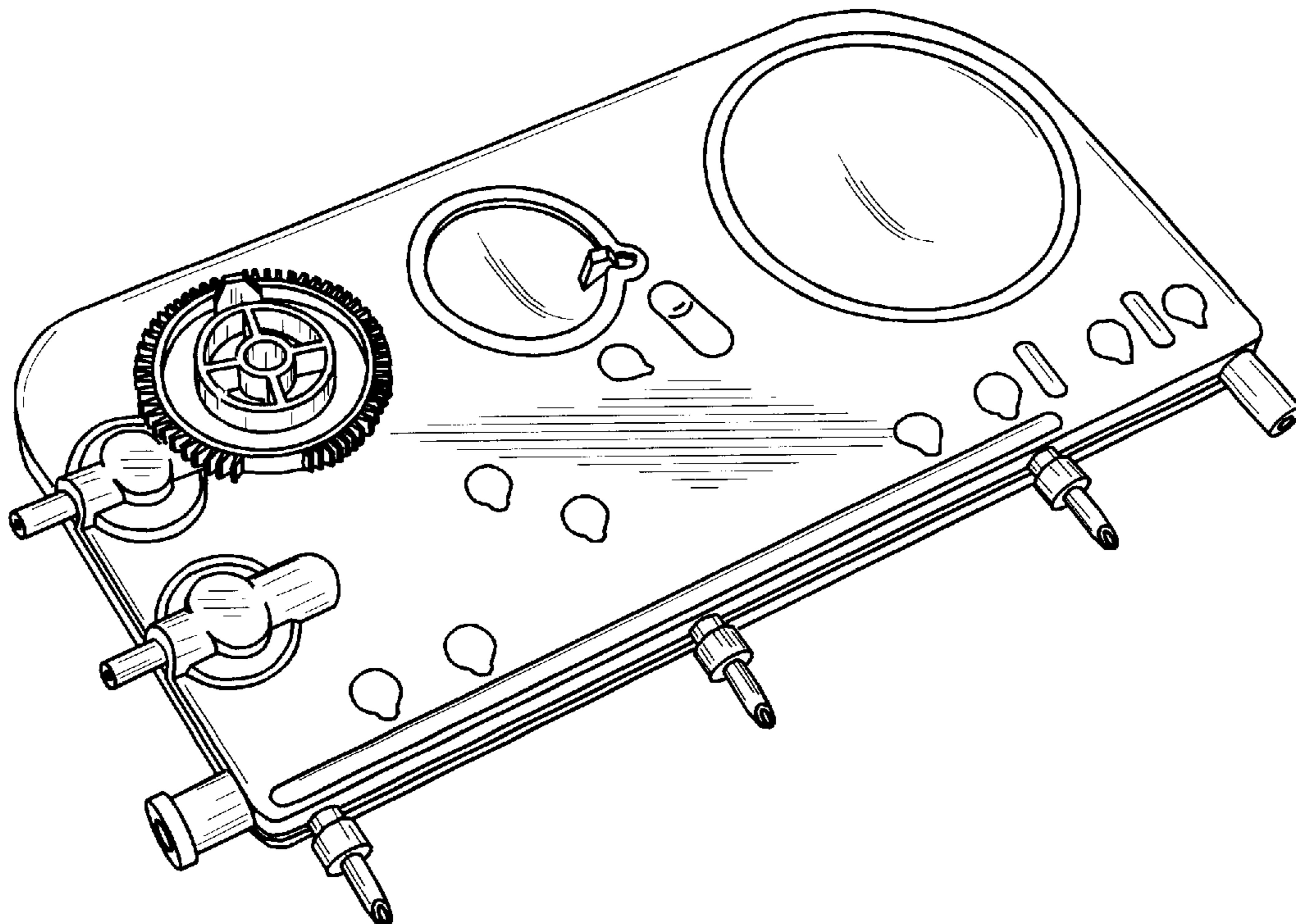
[57] **CLAIM**

We claim the ornamental design for the rigid portion of a disposable cassette for a bedside pharmacy system, as shown.

**DESCRIPTION**

FIG. 1 is a perspective view of a disposable cassette for a bedside pharmacy system according to our invention; FIG. 2 is a front elevational view of the item shown in FIG. 1; FIG. 3 is a top plan view of the item shown in FIG. 1; FIG. 4 is a rear elevational view of the item shown in FIG. 1; FIG. 5 is a bottom plan view of the item shown in FIG. 1; FIG. 6 is a right elevational view of the item shown in FIG. 1; and, FIG. 7 is a left elevational view of the item shown in FIG. 1.

**1 Claim, 2 Drawing Sheets**



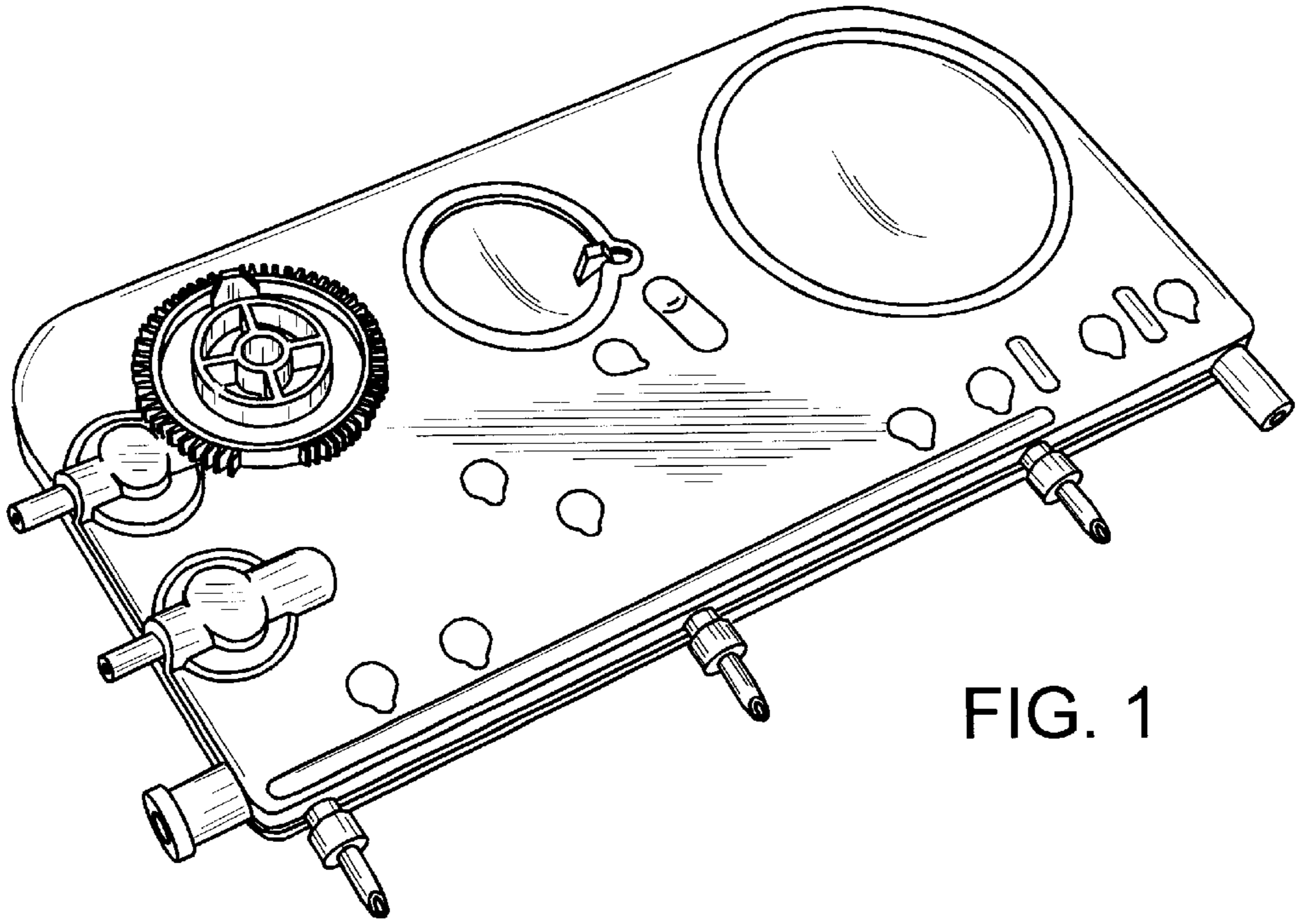


FIG. 1

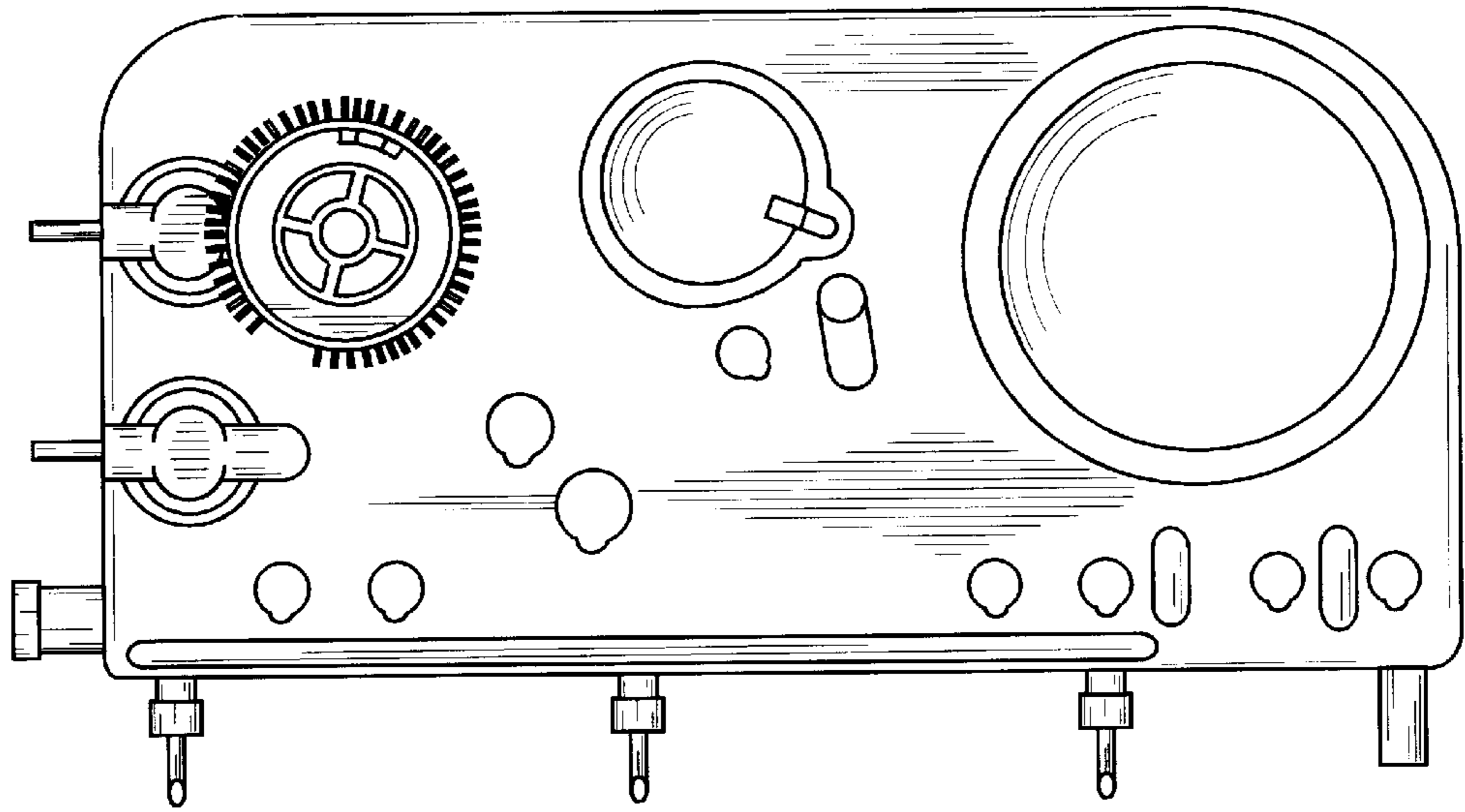


FIG. 2

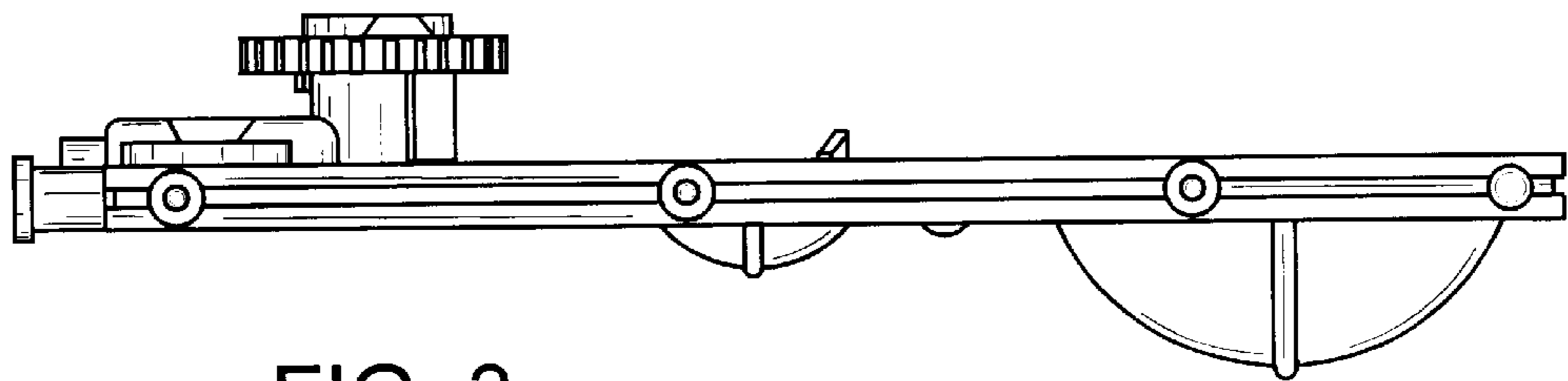


FIG. 3

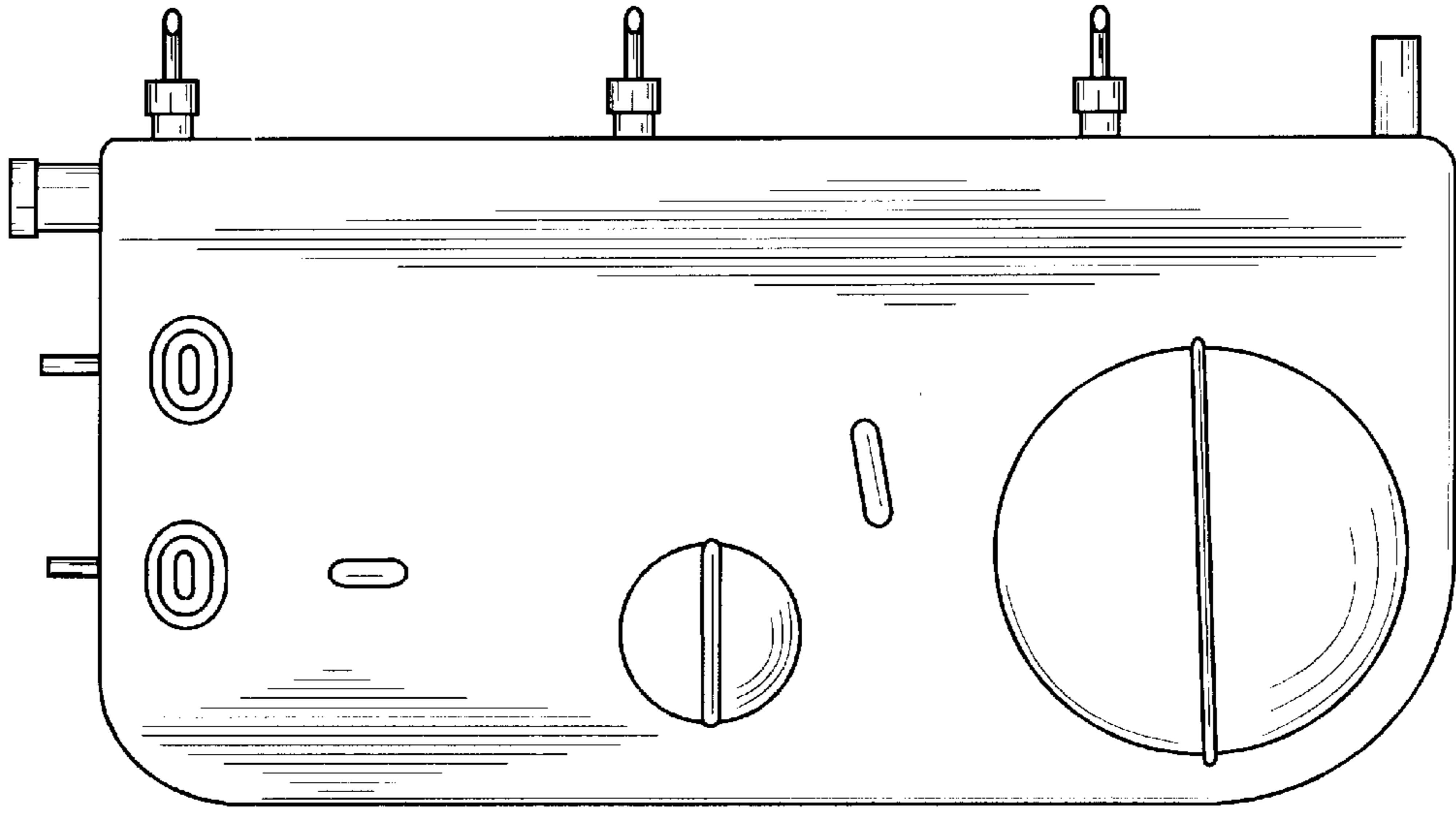


FIG. 4

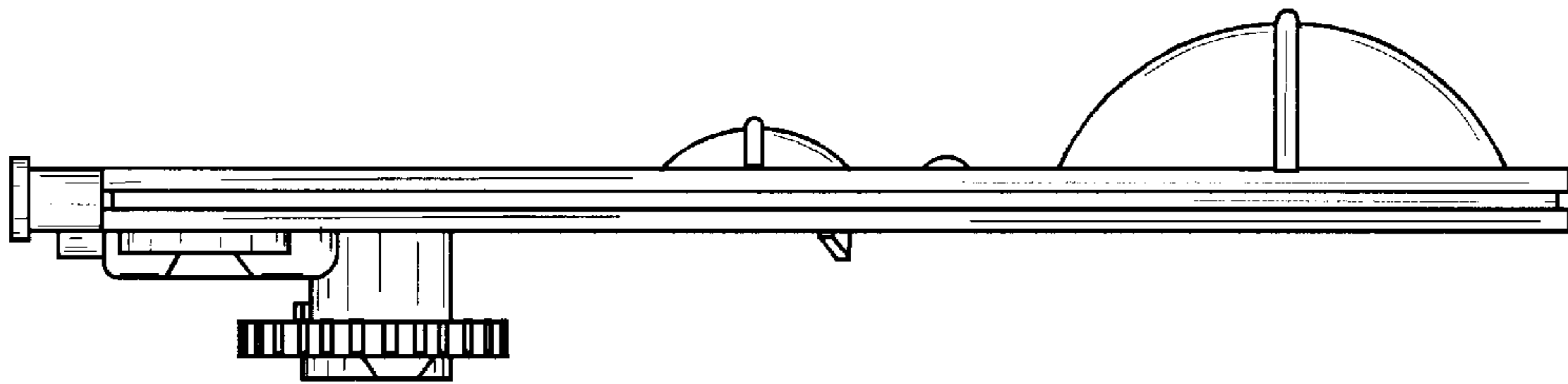


FIG. 5

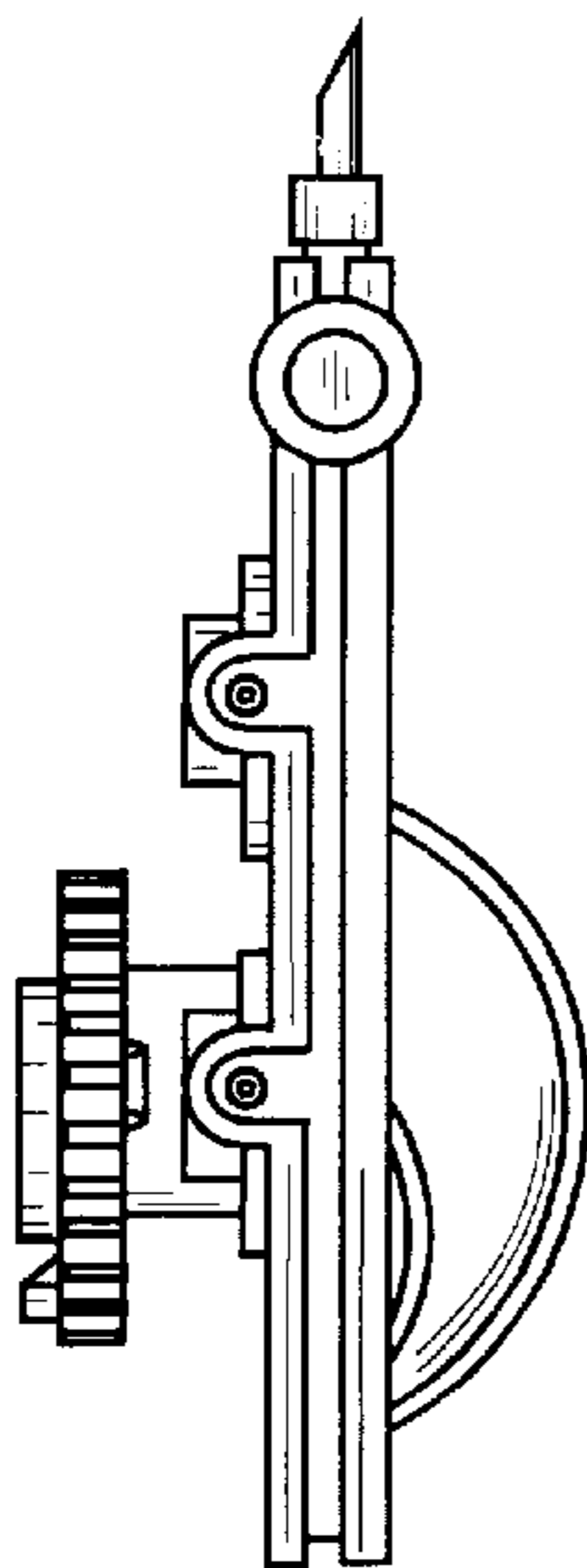


FIG. 6

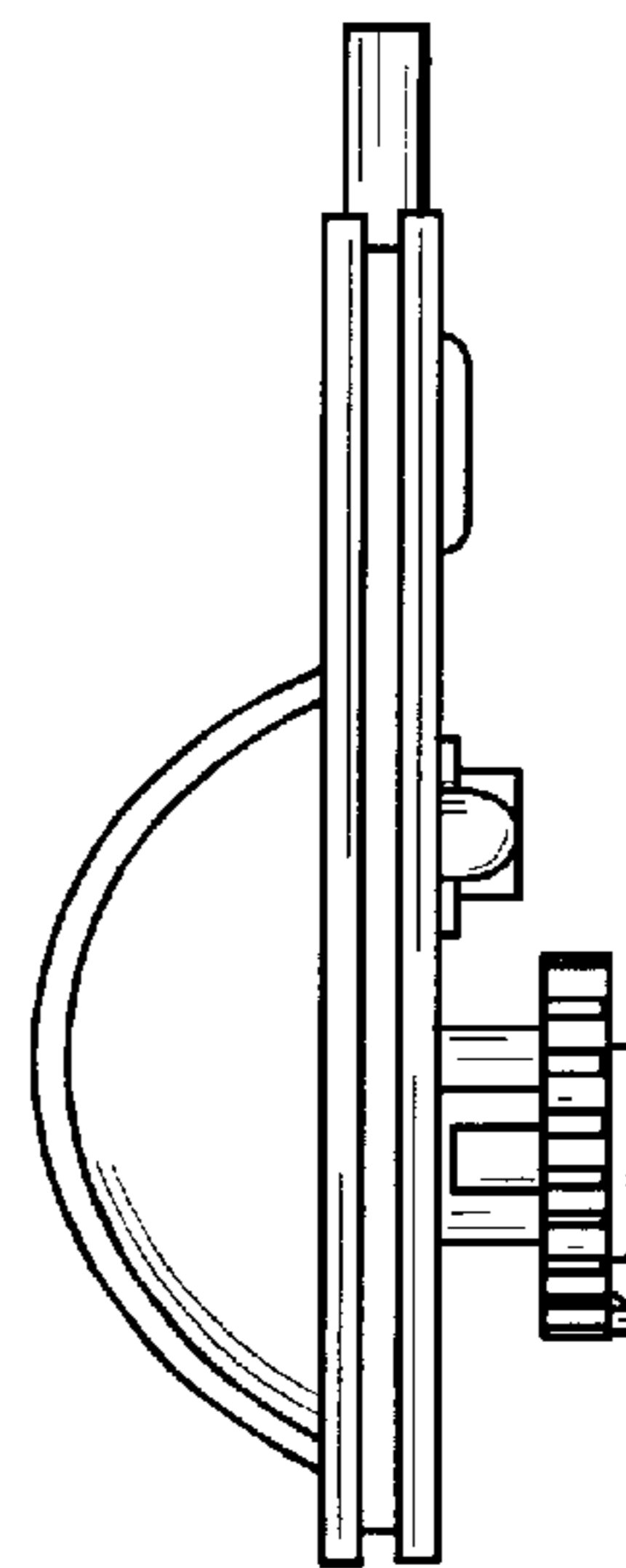


FIG. 7