



US00D398050S

United States Patent [19] Yoshinaga

[11] Patent Number: **Des. 398,050**

[45] Date of Patent: ****Sep. 8, 1998**

[54] **GAS BURNER**

5,466,149 11/1995 Tsai 431/344
5,667,377 9/1997 Lin 431/344

[75] Inventor: **Michinori Yoshinaga**, Tokyo, Japan

[73] Assignee: **Yoshinaga Corporation**, Japan

[**] Term: **14 Years**

Primary Examiner—Lisa Lichtenstein
Attorney, Agent, or Firm—Ostrolenk, Faber, Gerb & Soffen, LLP

[21] Appl. No.: **58,663**

[22] Filed: **Aug. 20, 1996**

[57] **CLAIM**

The ornamental design for a gas burner, as shown.

[51] **LOC (6) Cl.** **23-03**

[52] **U.S. Cl.** **D23/415**

[58] **Field of Search** D23/314, 415;
431/344

DESCRIPTION

FIG. 1 is a perspective view of a gas burner looking from the upper left-side direction;
FIG. 2 is a front view thereof;
FIG. 3 is a rear view thereof;
FIG. 4 is a right-side view thereof;
FIG. 5 is a left-side view thereof;
FIG. 6 is a top view thereof; and,
FIG. 7 is a bottom view thereof.

[56] **References Cited**

U.S. PATENT DOCUMENTS

4,315,732 2/1982 Rowbottam et al. 431/344
4,597,732 7/1986 Yoshinaga 431/344
5,082,440 1/1992 Yamamoto 431/344

1 Claim, 2 Drawing Sheets

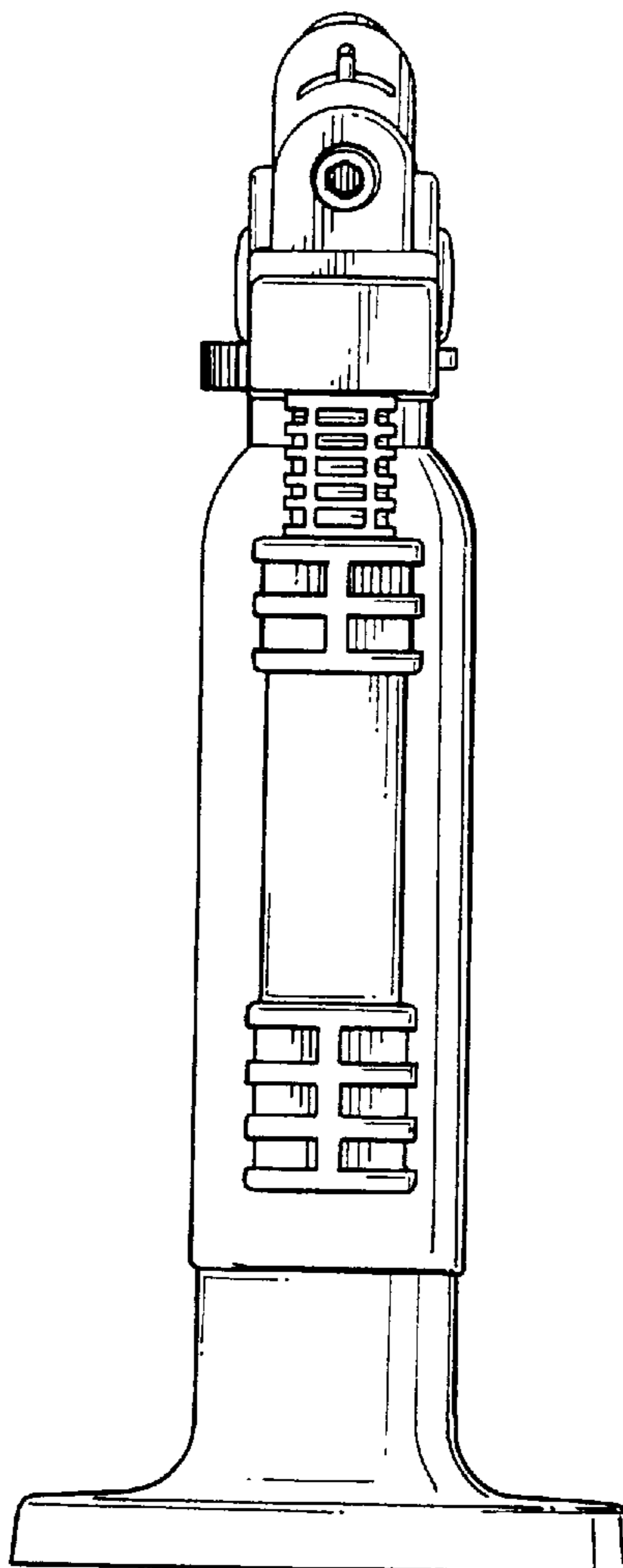
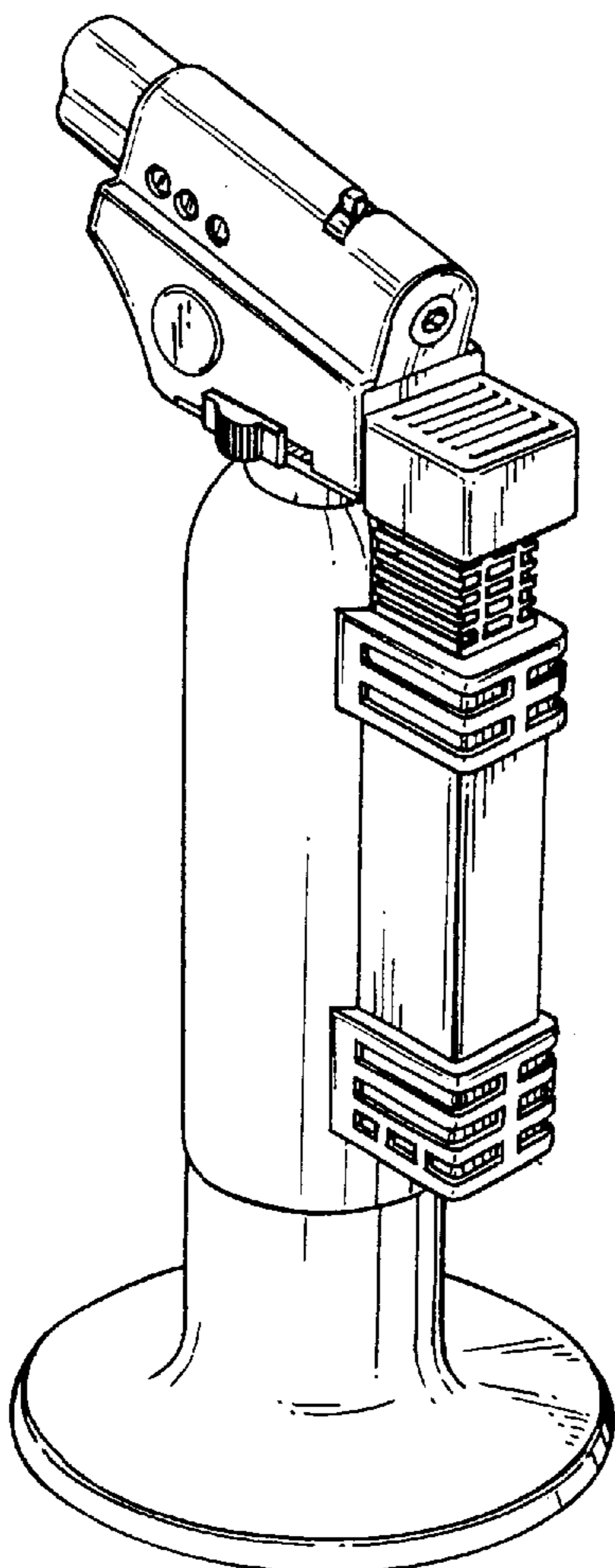


FIG-2

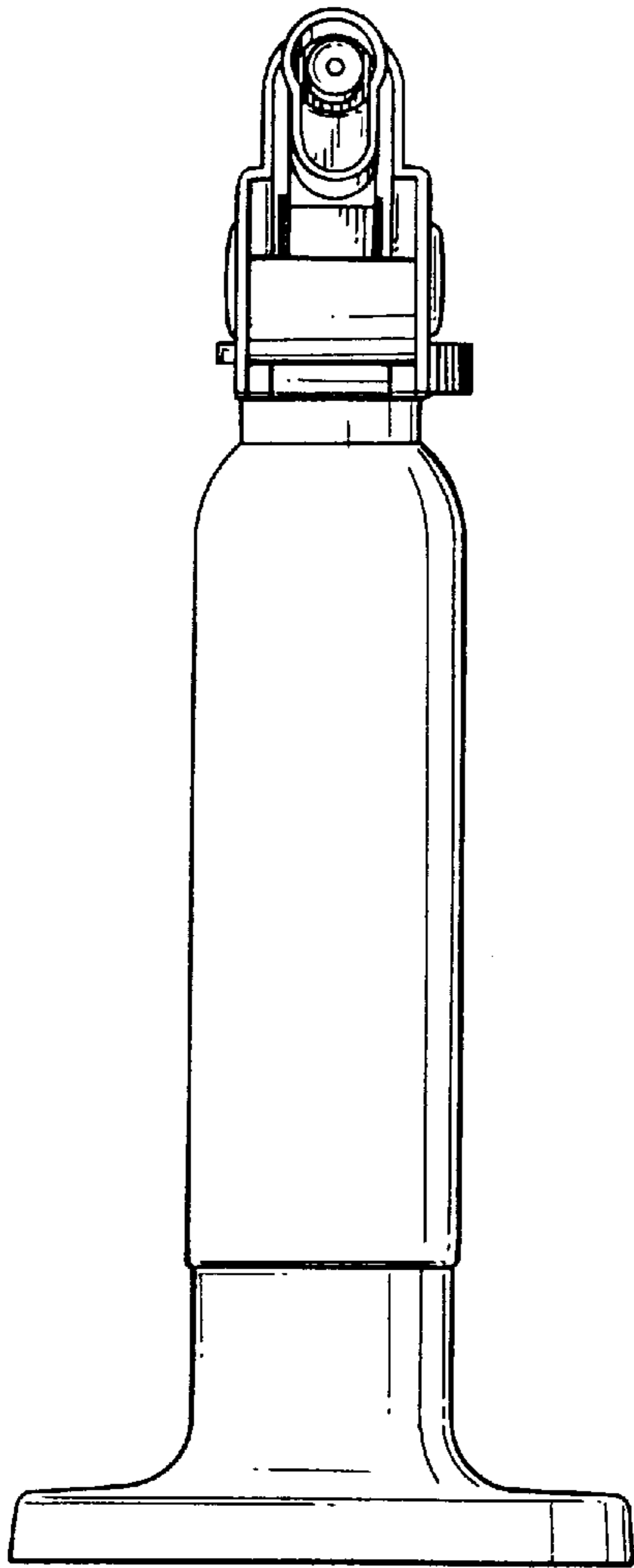


FIG-3

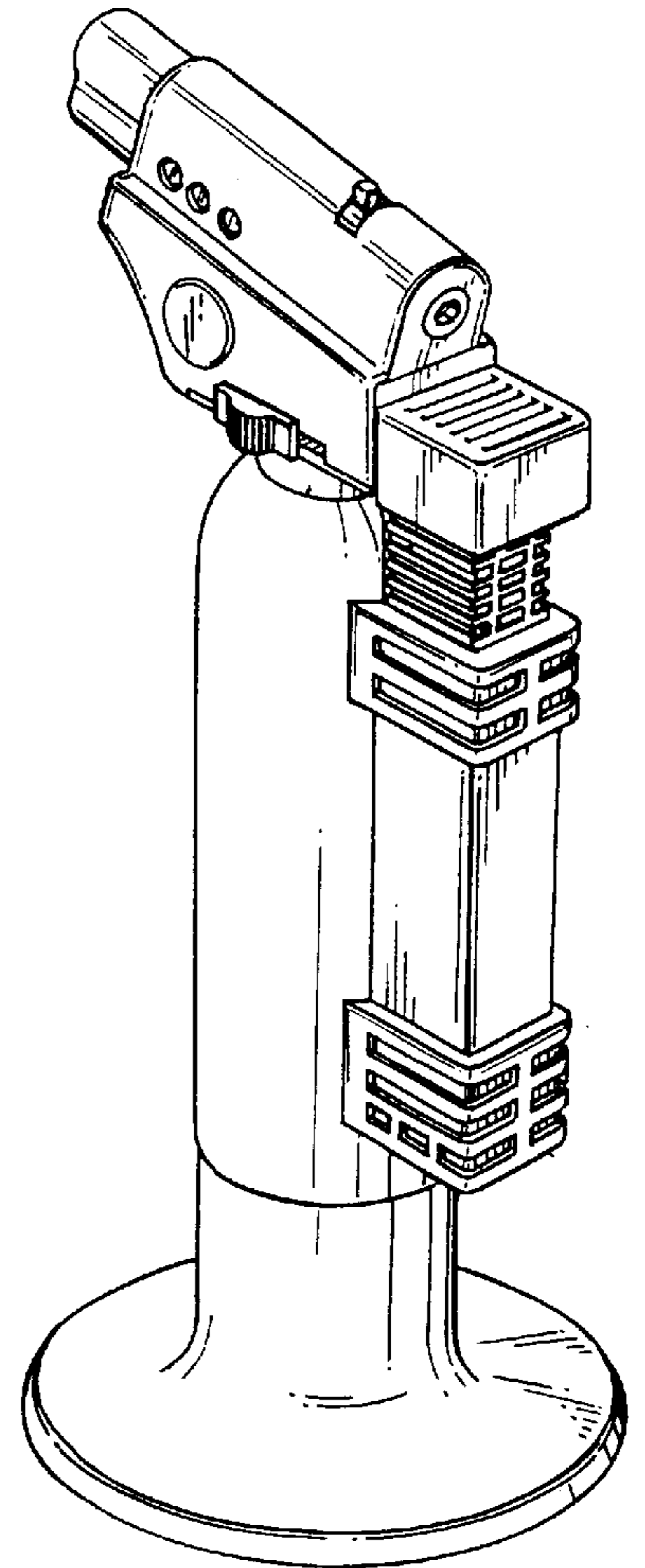
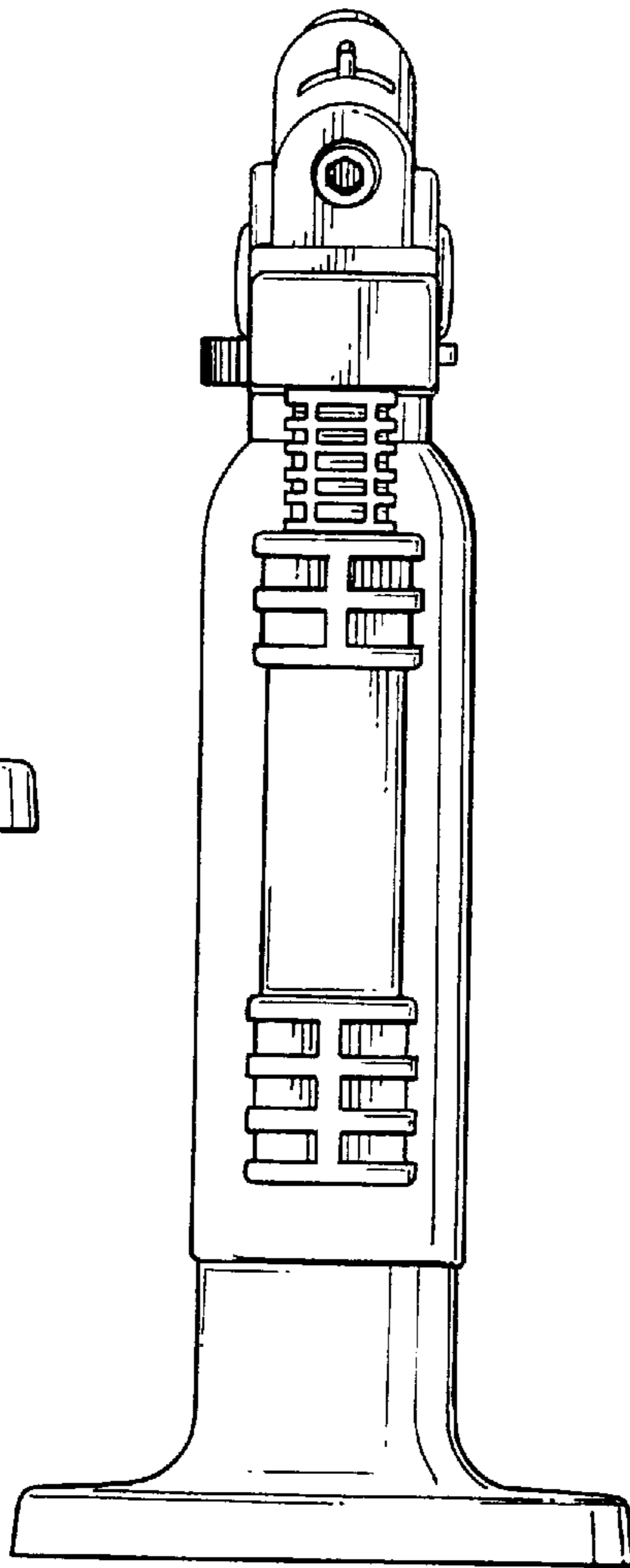


FIG-1

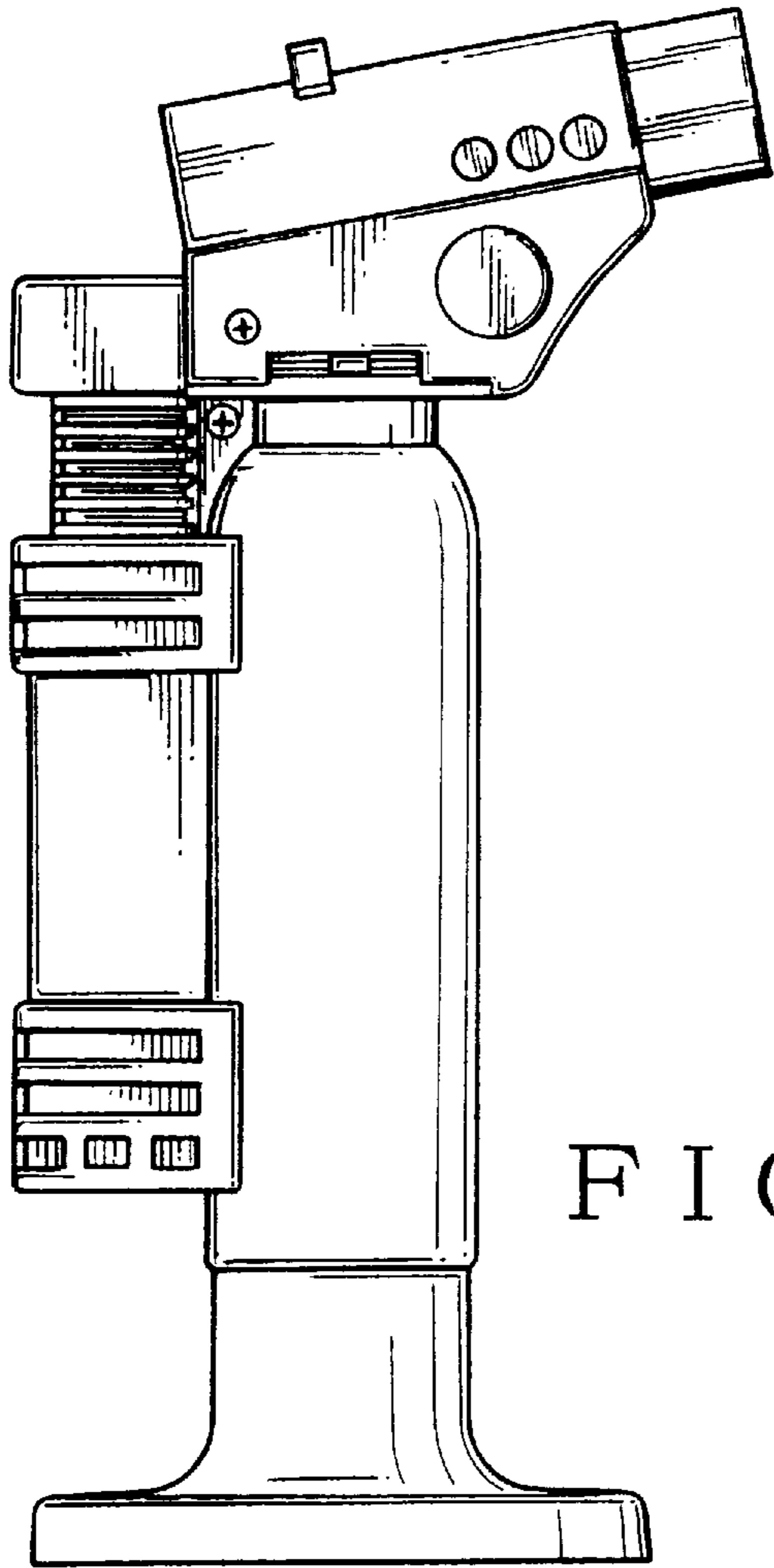


FIG-5

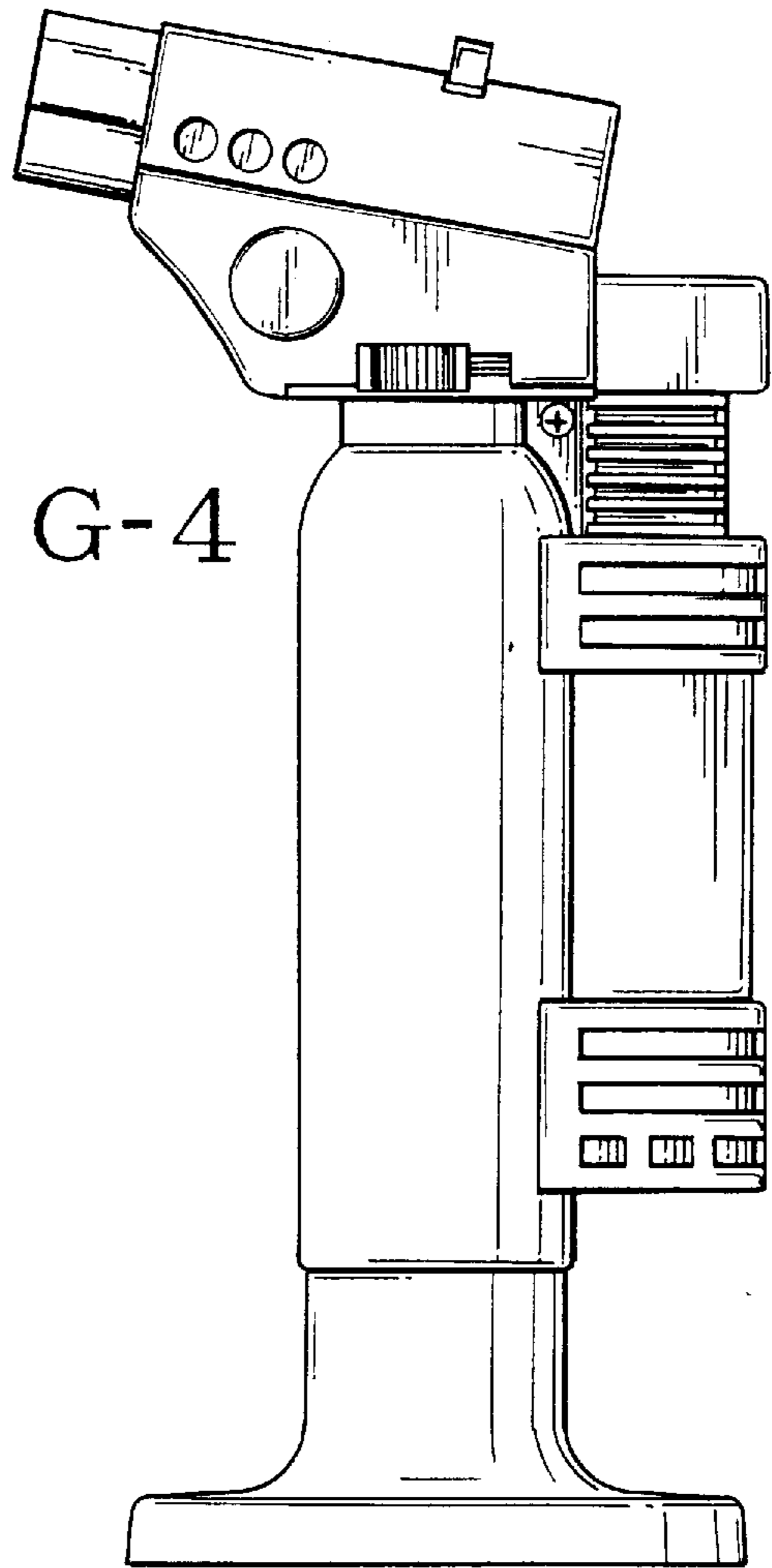


FIG-4

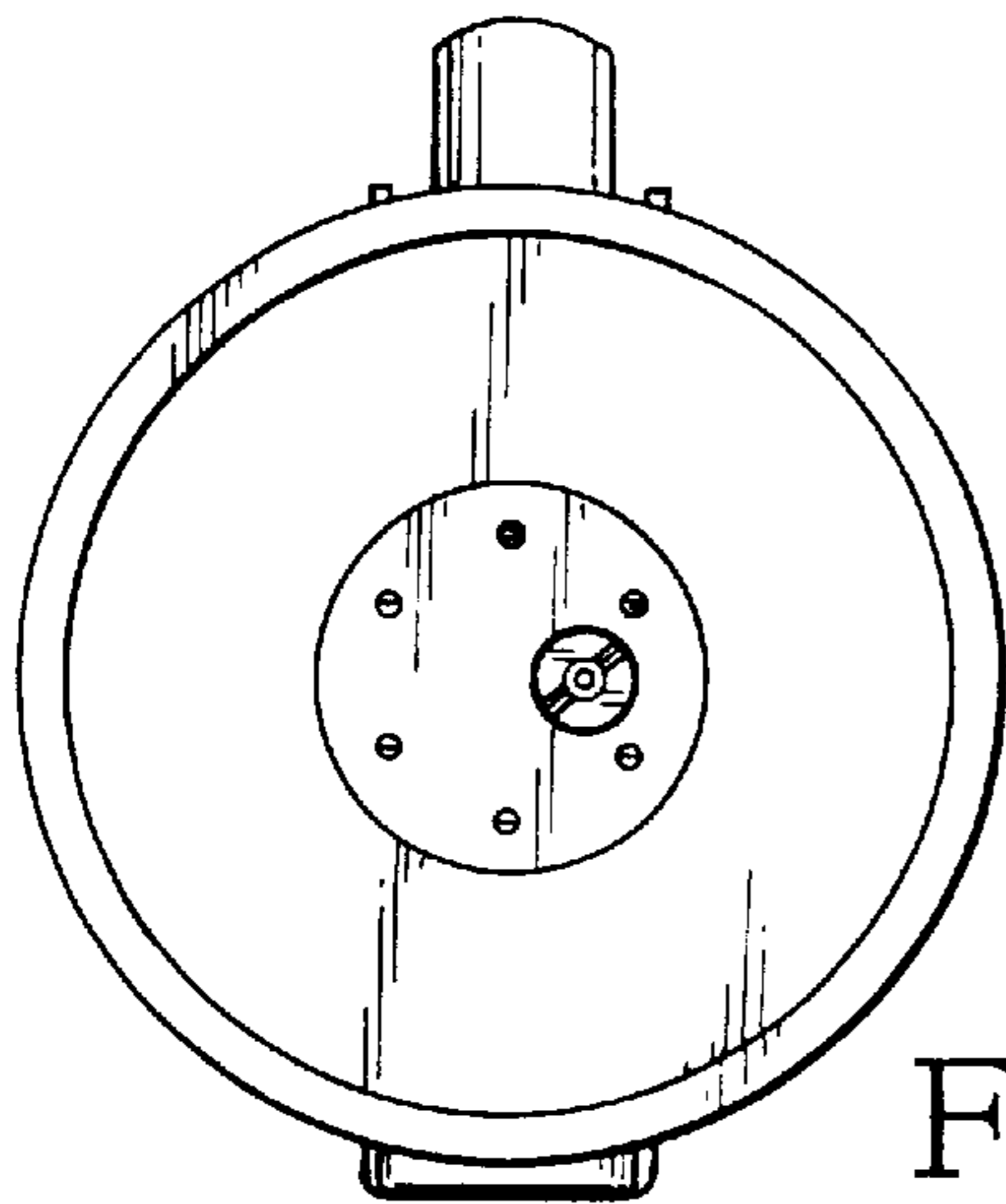
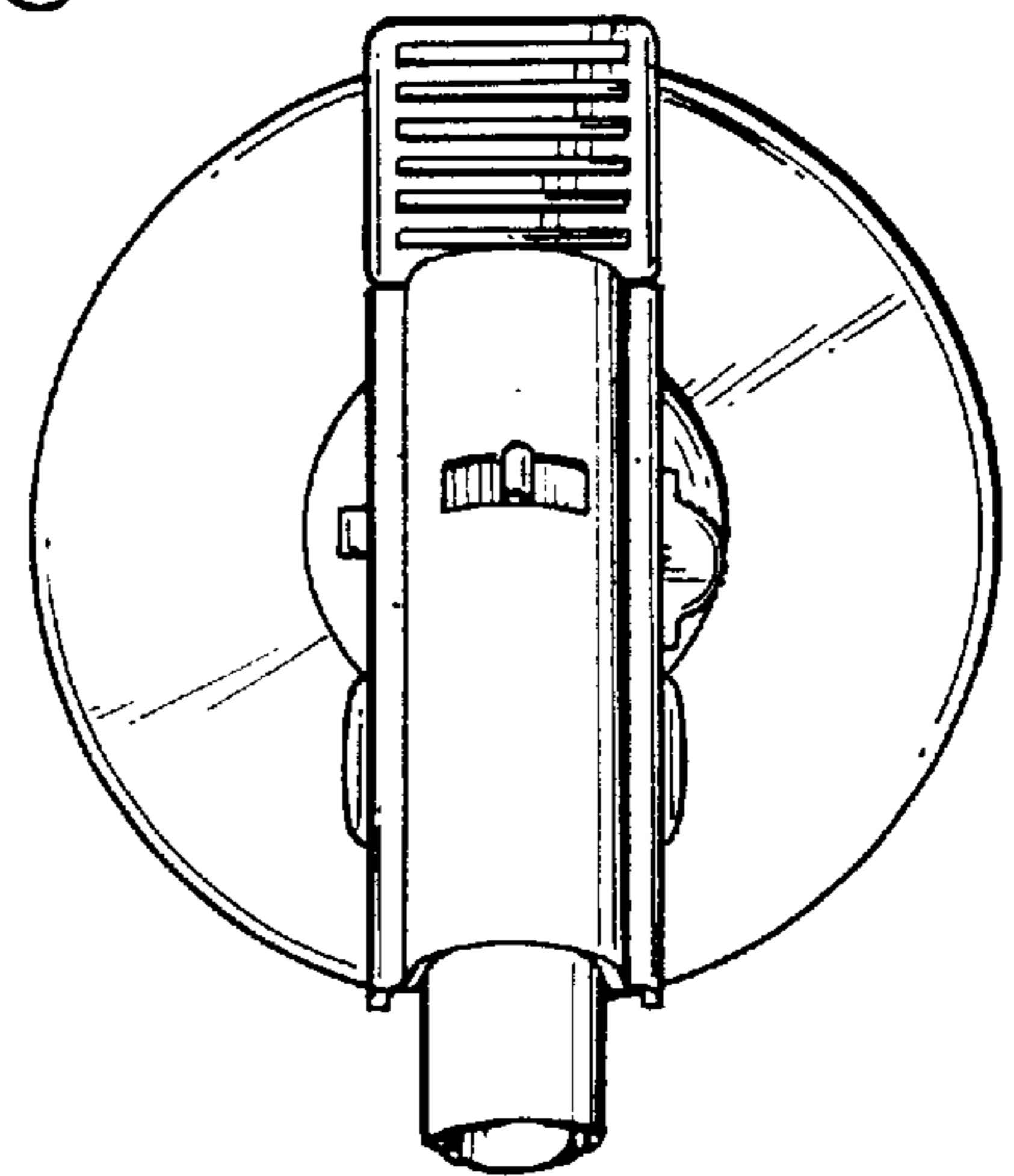


FIG-7

FIG-6



UNITED STATES PATENT AND TRADEMARK OFFICE
CERTIFICATE OF CORRECTION

PATENT NO. : Des. 398,050
 DATED : Sep. 8, 1998
 INVENTOR(S) : Michinori Yoshinaga

It is certified that error appears in the above-identified patent and that said Letters Patent is hereby corrected as shown below:

On title page, item [56] insert the following:

U. S. PATENT DOCUMENTS

EXAMINER INITIAL	PATENT NUMBER								ISSUE DATE	PATENTEE	CLASS	SUBCLASS	FILING DATE IF APPROPRIATE
	D	3	0	2	0	9	8	7/1989	YOSHINAGA				

FOREIGN PATENT DOCUMENTS

	DOCUMENT NUMBER								PUBLICATION DATE	COUNTRY OR PATENT OFFICE	CLASS	SUBCLASS	TRANSLATION	
												YES	NO	

Signed and Sealed this
 Tenth Day of August, 1999

Attest:



Q. TODD DICKINSON

Attesting Officer

Acting Commissioner of Patents and Trademarks