



US00D398049S

# United States Patent [19]

Willis

[11] **Patent Number: Des. 398,049**

[45] **Date of Patent: \*\*Sep. 8, 1998**

[54] **DUCT FOR A TOILET BOWL VENTILATION SYSTEM**

[76] Inventor: **Jerry F. Willis**, 10918 Francoise, Houston, Tex. 77042

[\*\*] Term: **14 Years**

[21] Appl. No.: **64,374**

[22] Filed: **Dec. 30, 1996**

### Related U.S. Application Data

[62] Division of Ser. No. 51,509, Mar. 12, 1996.

[51] **LOC (6) Cl.** ..... **23-99**

[52] **U.S. Cl.** ..... **D23/393**

[58] **Field of Search** ..... D23/393, 370, D23/373, 386, 371; 110/189; 4/213

### [56] References Cited

#### U.S. PATENT DOCUMENTS

D. 269,117 5/1983 Sherrard ..... D23/393

D. 271,329 11/1983 Welsh ..... D23/393  
D. 307,568 5/1990 Lopez ..... D12/181  
3,153,794 10/1964 Hill ..... 4/213  
3,849,808 11/1974 Olson et al. .... 4/213

*Primary Examiner*—Holly Baynham  
*Attorney, Agent, or Firm*—Kenneth A. Roddy

### [57] CLAIM

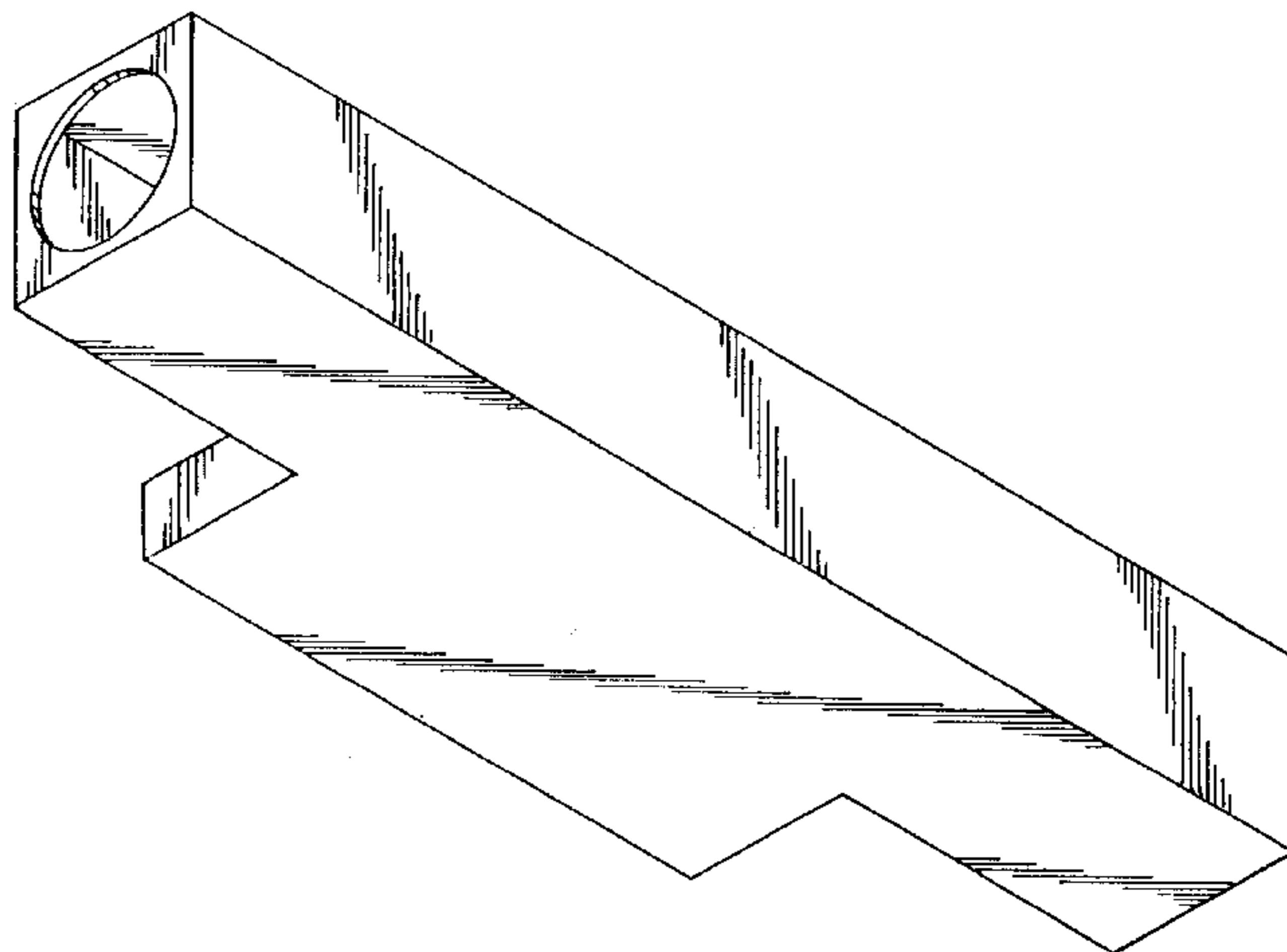
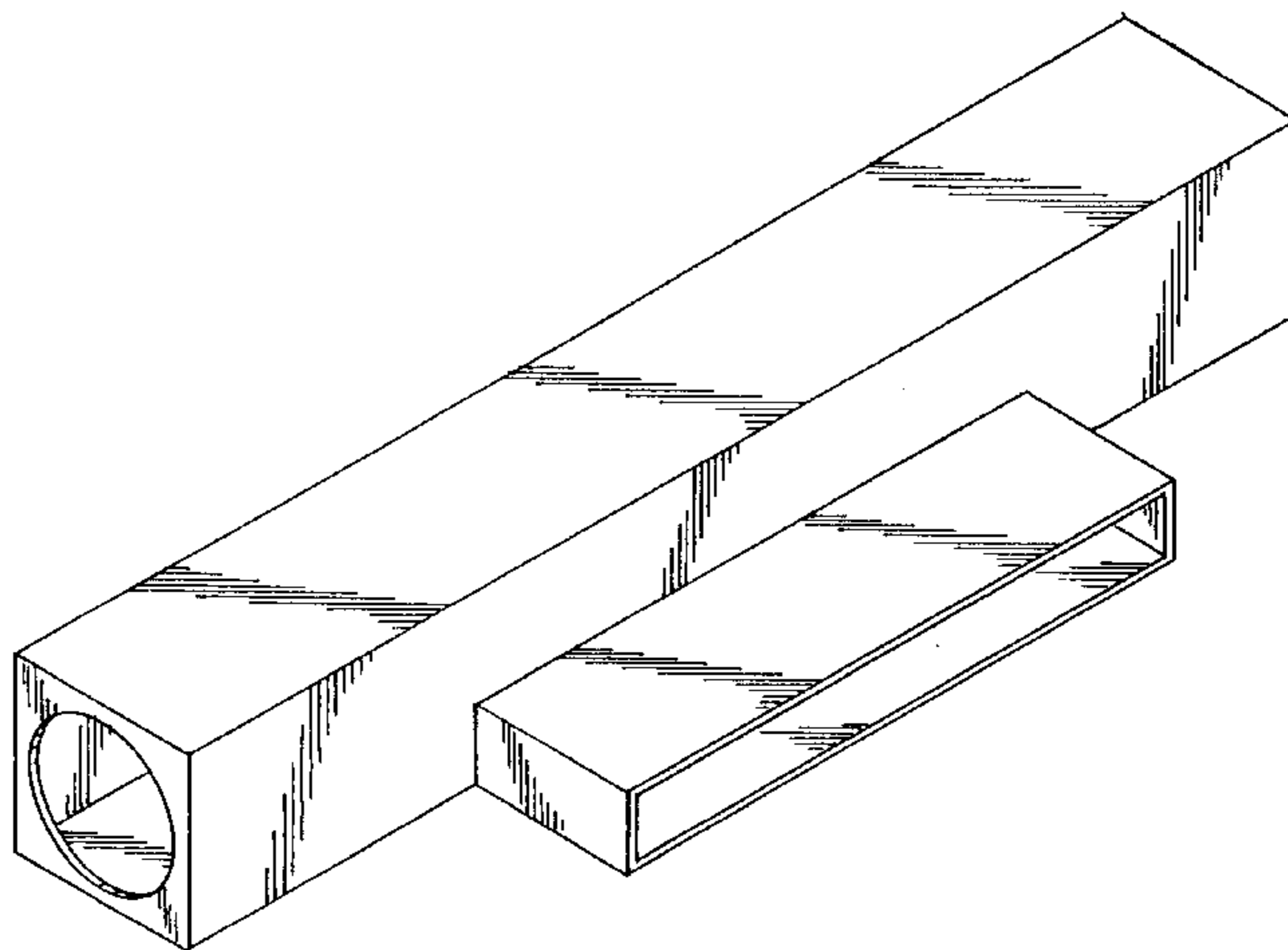
The ornamental design for a duct for a toilet bowl ventilation system, as shown and described.

### DESCRIPTION

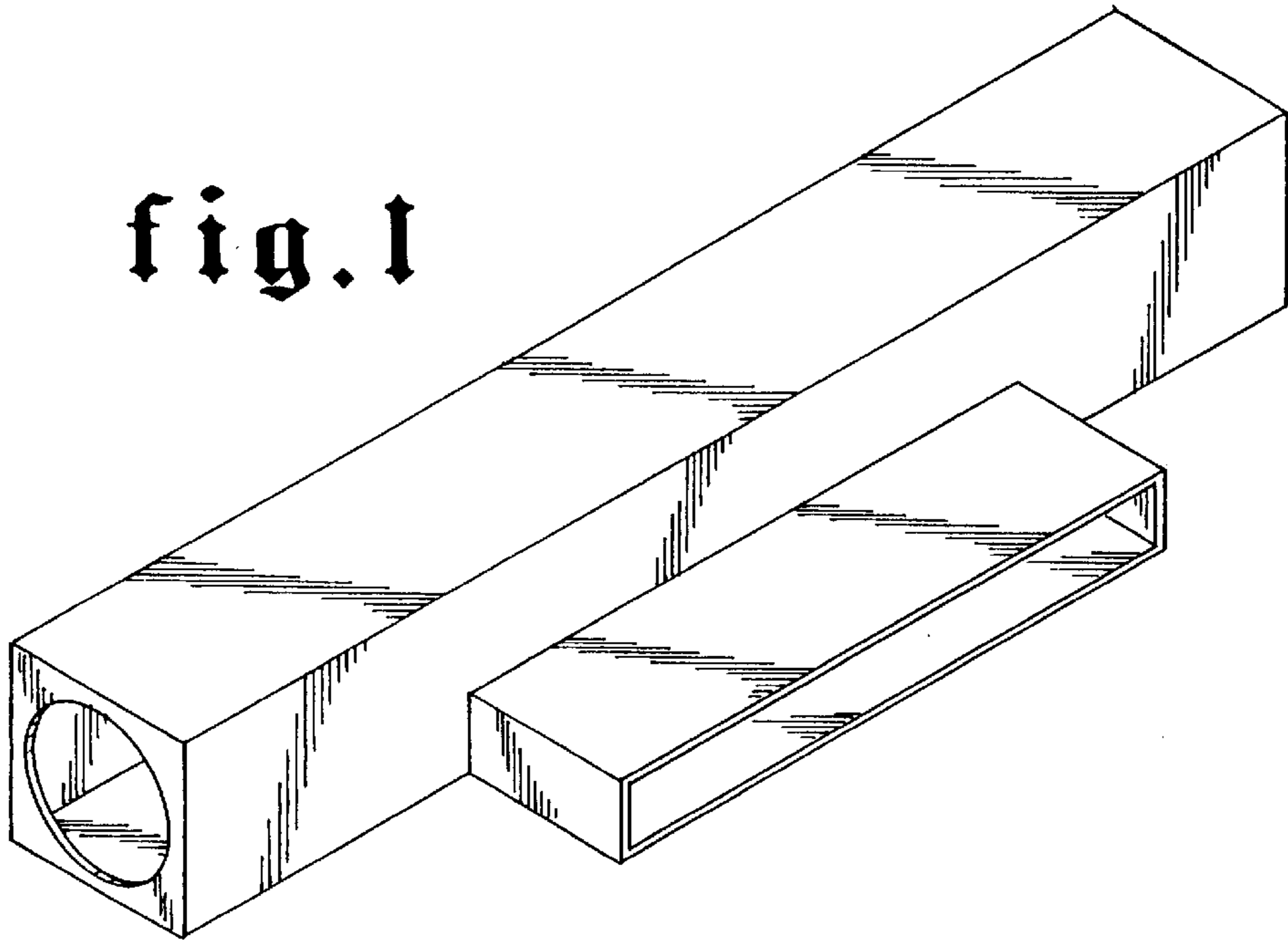
FIG. 1 is a perspective view of a duct for a toilet bowl ventilation system showing my new design from the top, one end, and one side; and,

FIG. 2 is a perspective view thereof shown from the bottom, and end and side opposite that shown in FIG. 1.

**1 Claim, 1 Drawing Sheet**



**fig. 1**



**fig. 2**

