



US00D398047S

United States Patent [19]
Chen

[11] **Patent Number:** **Des. 398,047**

[45] **Date of Patent:** ****Sep. 8, 1998**

[54] **BOX FOR FRAGRANCE USED IN FRONT OF AN AIR CONDITIONER**

[76] Inventor: **Wen Jye Chen**, No. 19, Lane 753, Kang Ning St., Shih Jyy, Taipei Hsien, Taiwan

[**] Term: **14 Years**

[21] Appl. No.: **73,083**

[22] Filed: **Jul. 2, 1997**

[51] **LOC (6) Cl.** **23-04**

[52] **U.S. Cl.** **D23/366; D23/368**

[58] **Field of Search** **D23/366-369; 239/52, 53, 57, 34; 261/DIG. 65; 422/305, 120**

[56] **References Cited**

U.S. PATENT DOCUMENTS

- D. 254,931 5/1980 Mandon et al. D23/369
- D. 373,626 9/1996 Dente et al. D23/368

- D. 382,050 8/1997 Hayes D23/368
- D. 385,025 10/1997 Ho D23/367
- D. 385,344 10/1997 Green D23/367
- 2,753,209 7/1956 Flasky 239/52
- 5,282,571 2/1994 Smith et al. 239/34

Primary Examiner—Lisa Lichtenstein
Attorney, Agent, or Firm—Pro-Techtor International

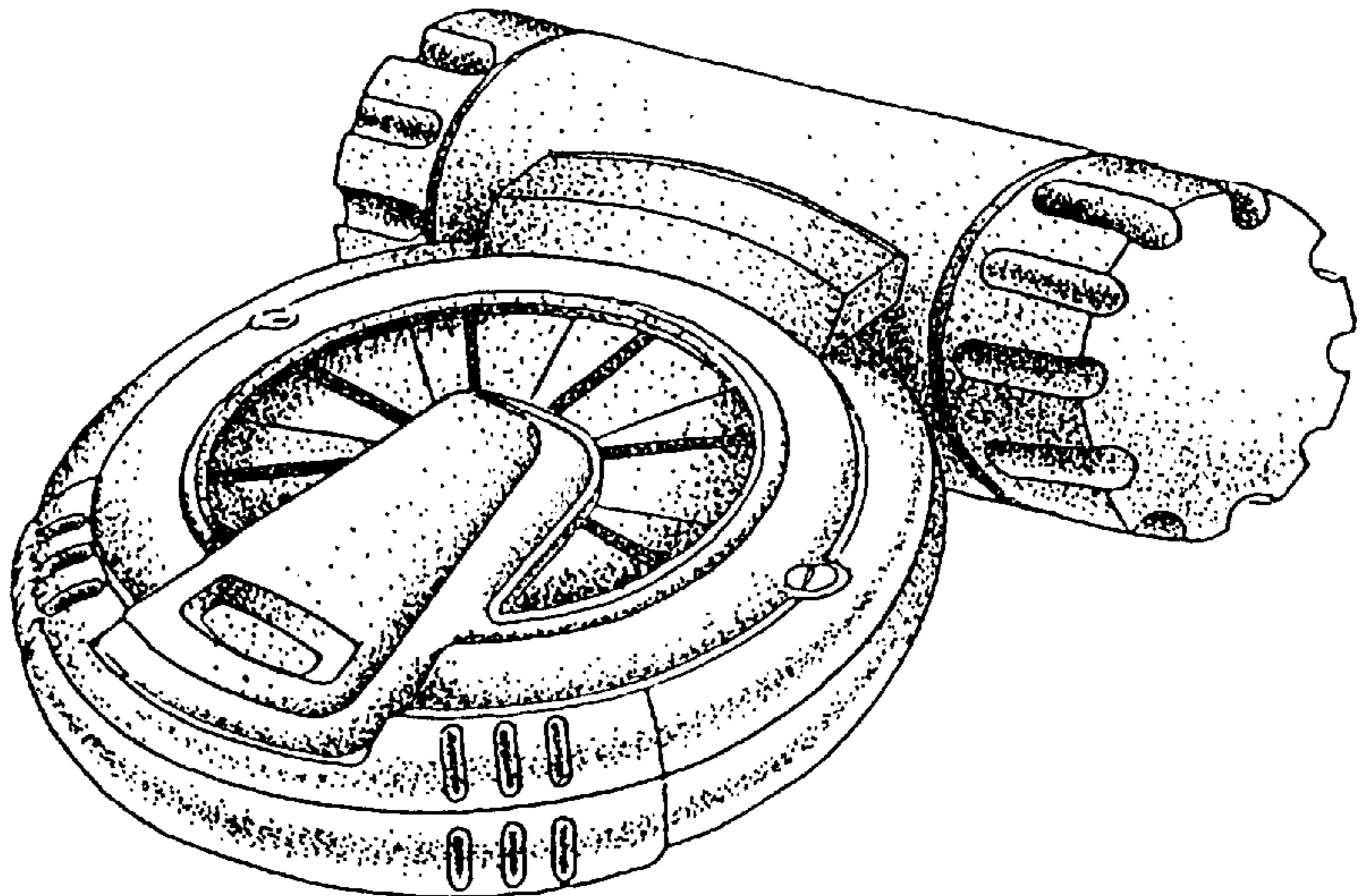
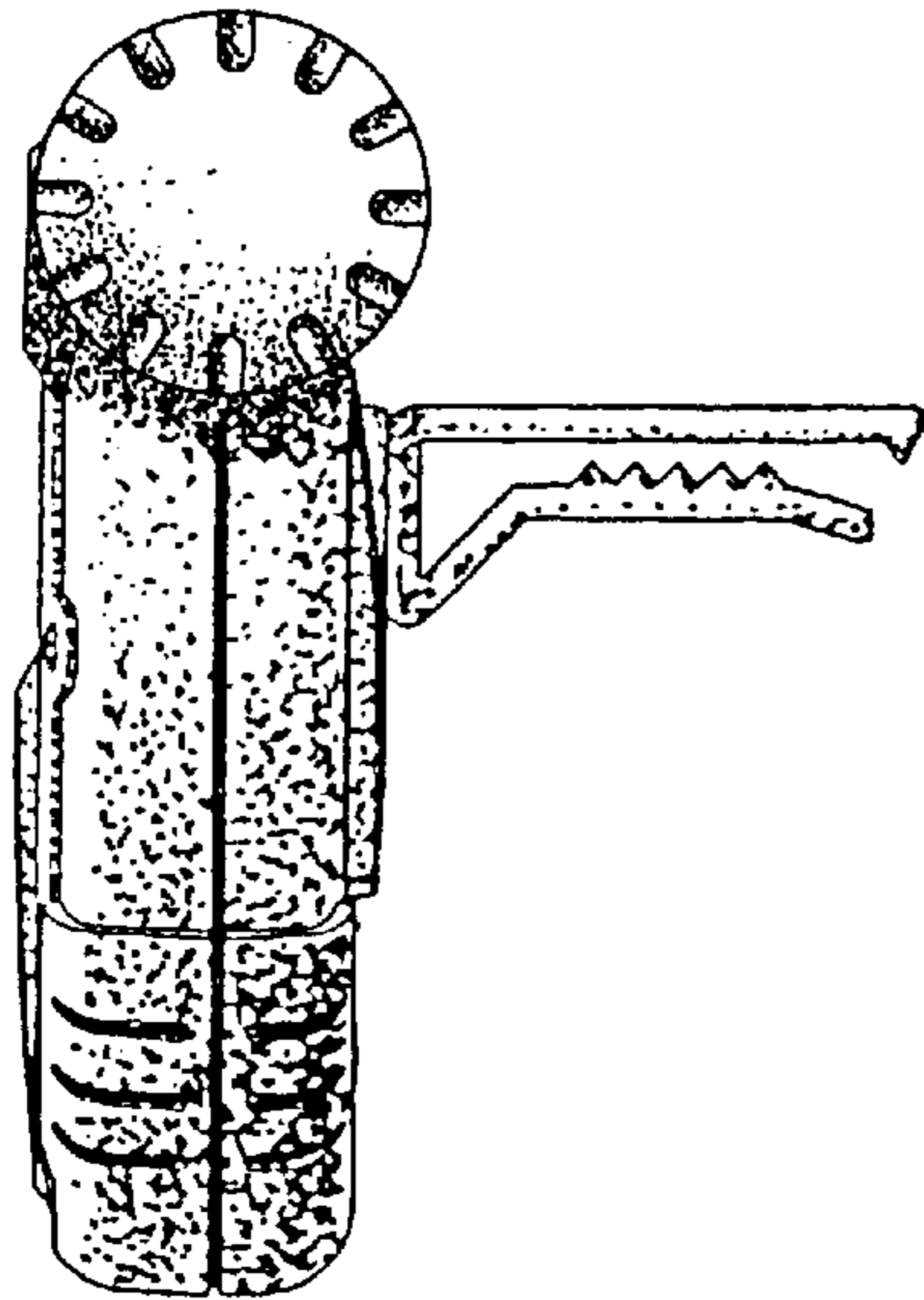
[57] **CLAIM**

The ornamental design for a box for fragrance used in front of an air conditioner, as shown.

DESCRIPTION

FIG. 1 is a front view of the present design; FIG. 2 is a back view of the design; FIG. 3 is a left side view of the design; FIG. 4 is a right side view of the design; FIG. 5 is a top view of the design; FIG. 6 is a bottom view of the design; and, FIG. 7 is a stereographic view of the design.

1 Claim, 4 Drawing Sheets



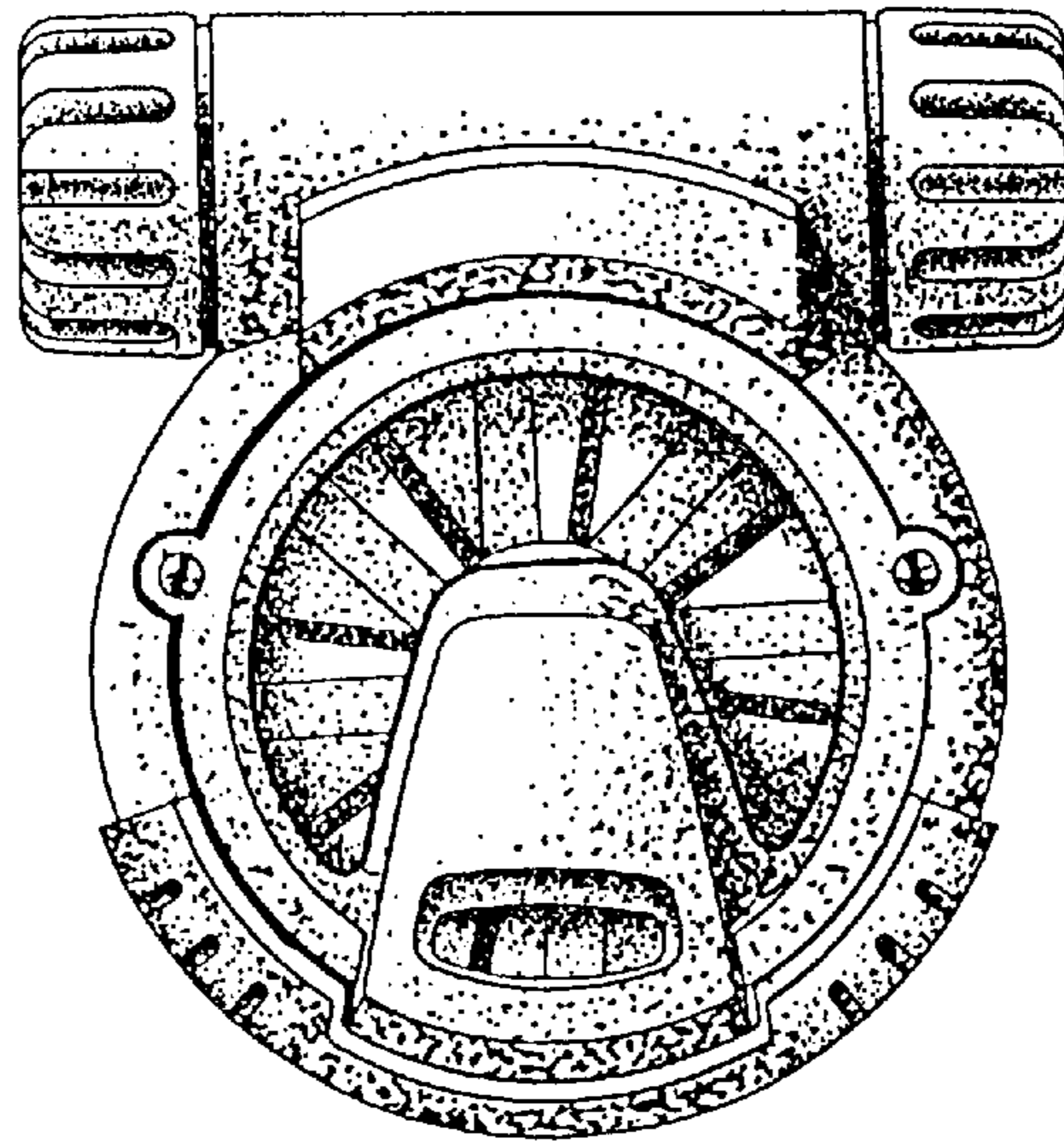


FIG. 1

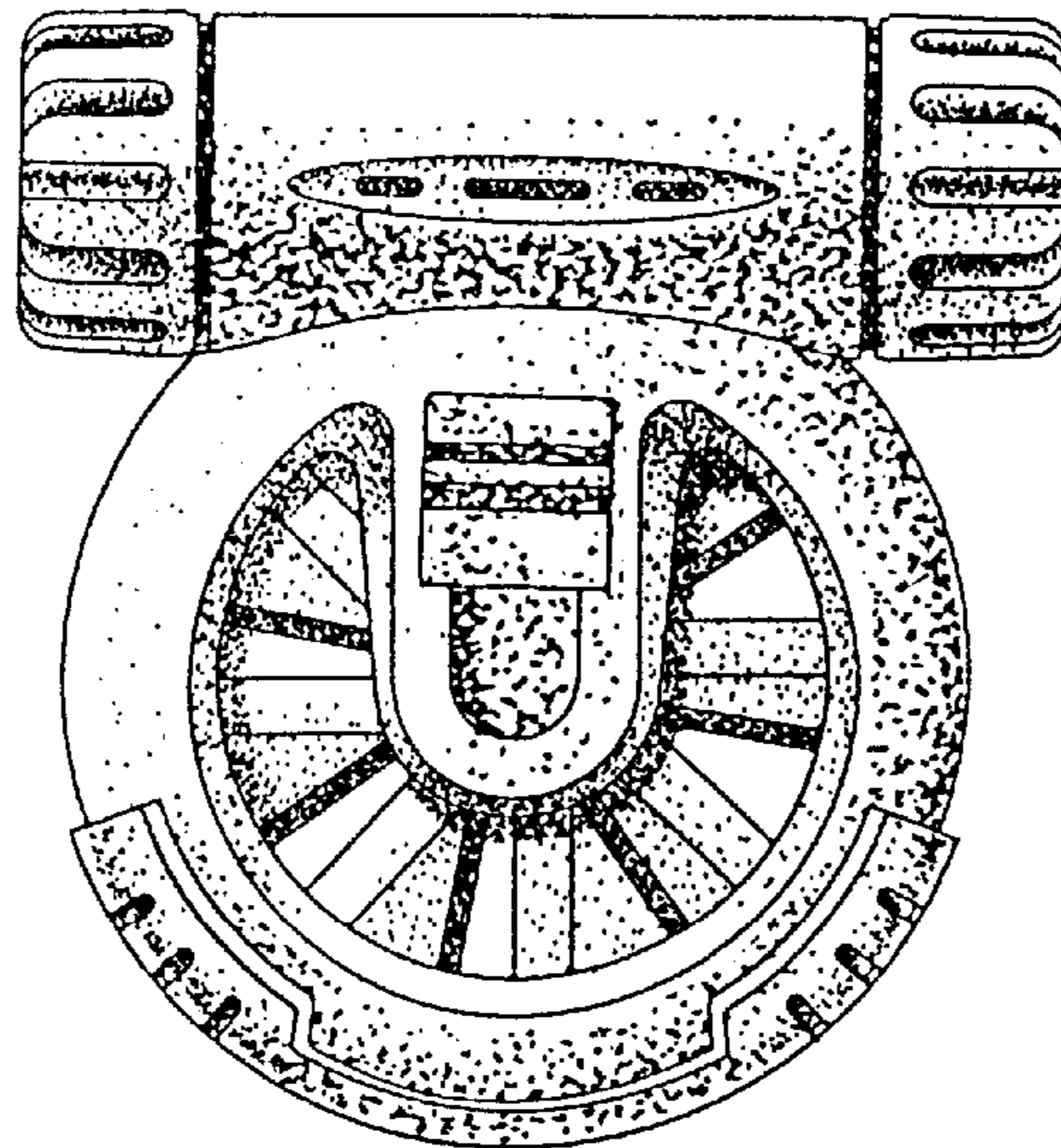


FIG. 2

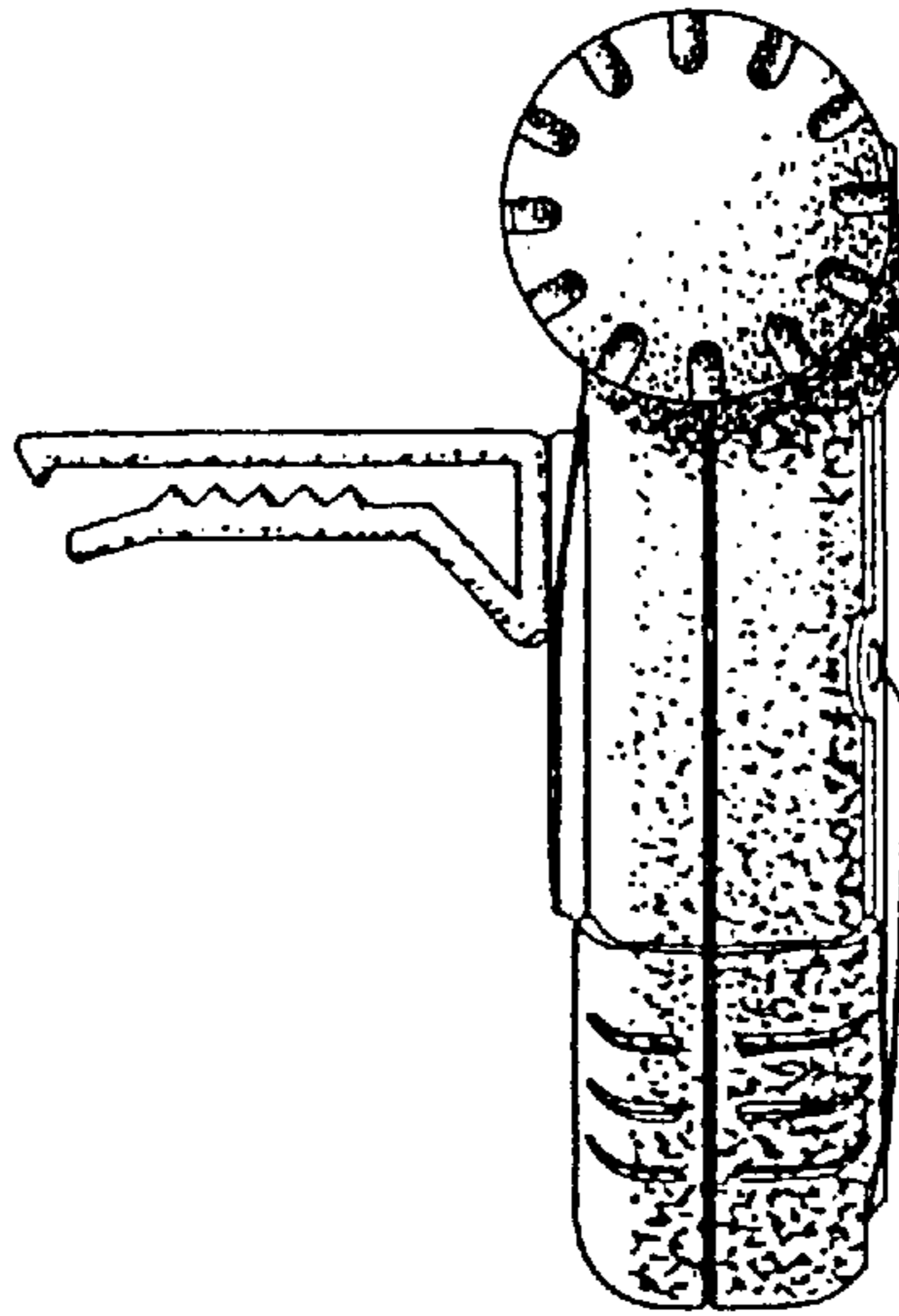


FIG. 3

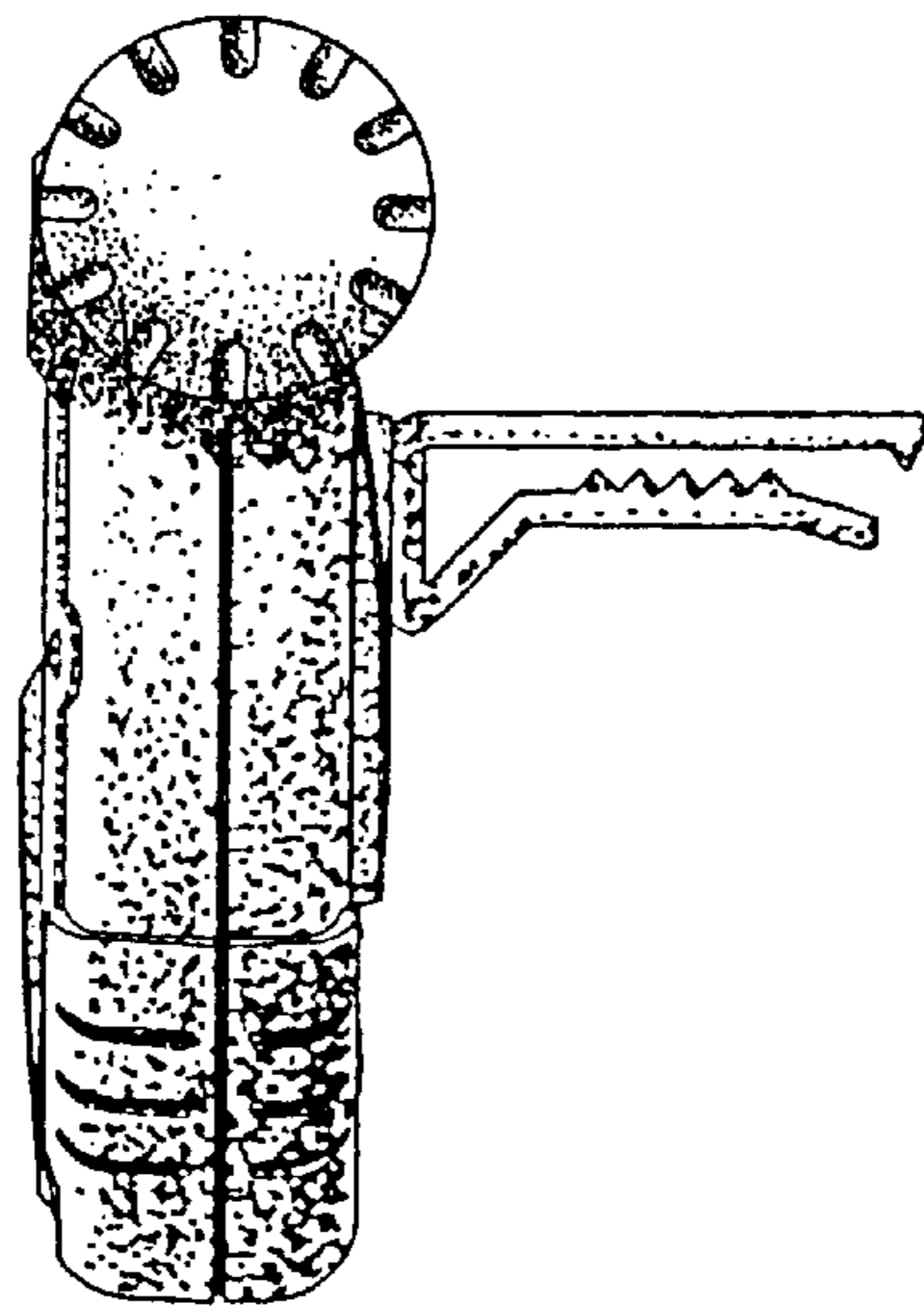


FIG. 4

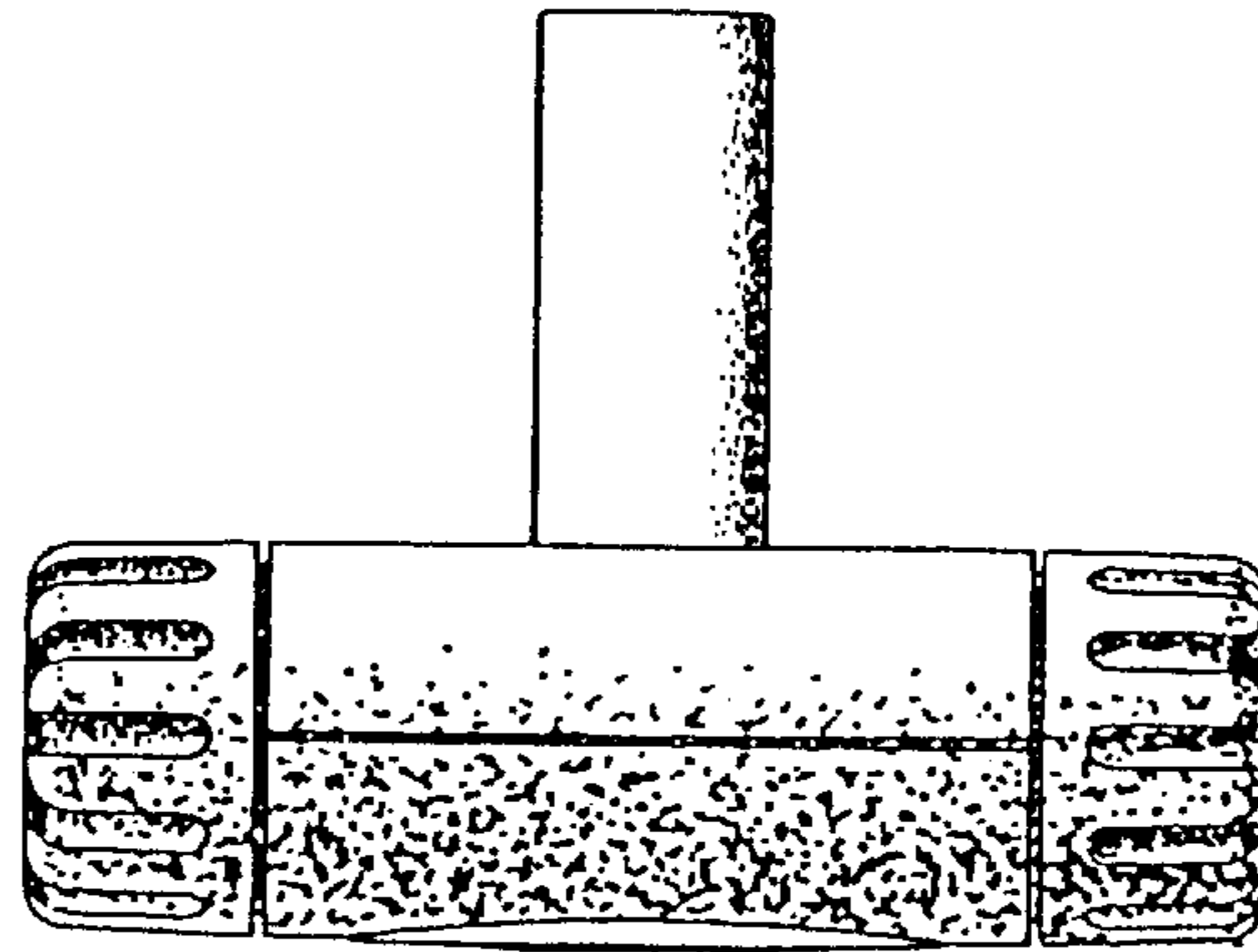


FIG. 5

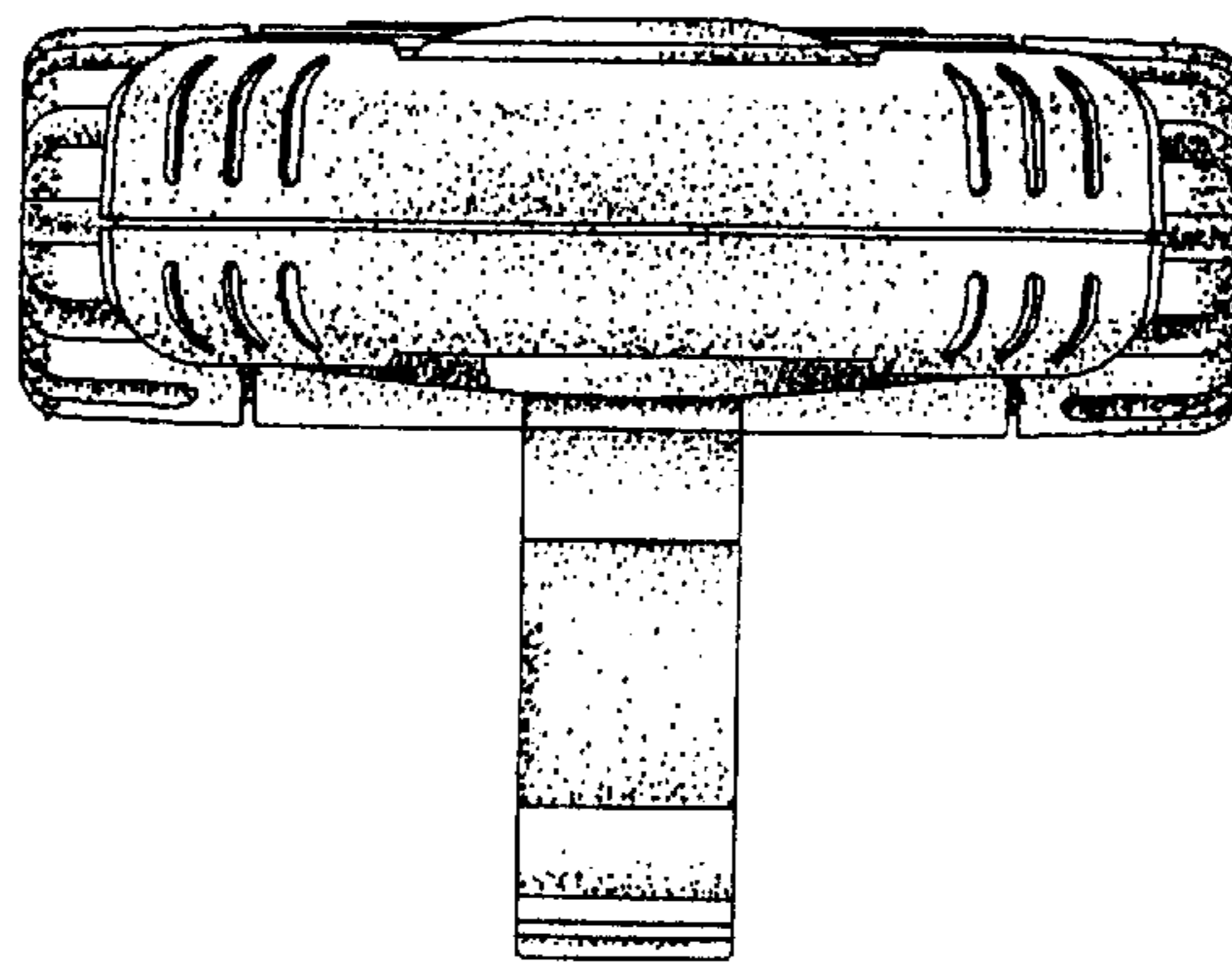


FIG. 6

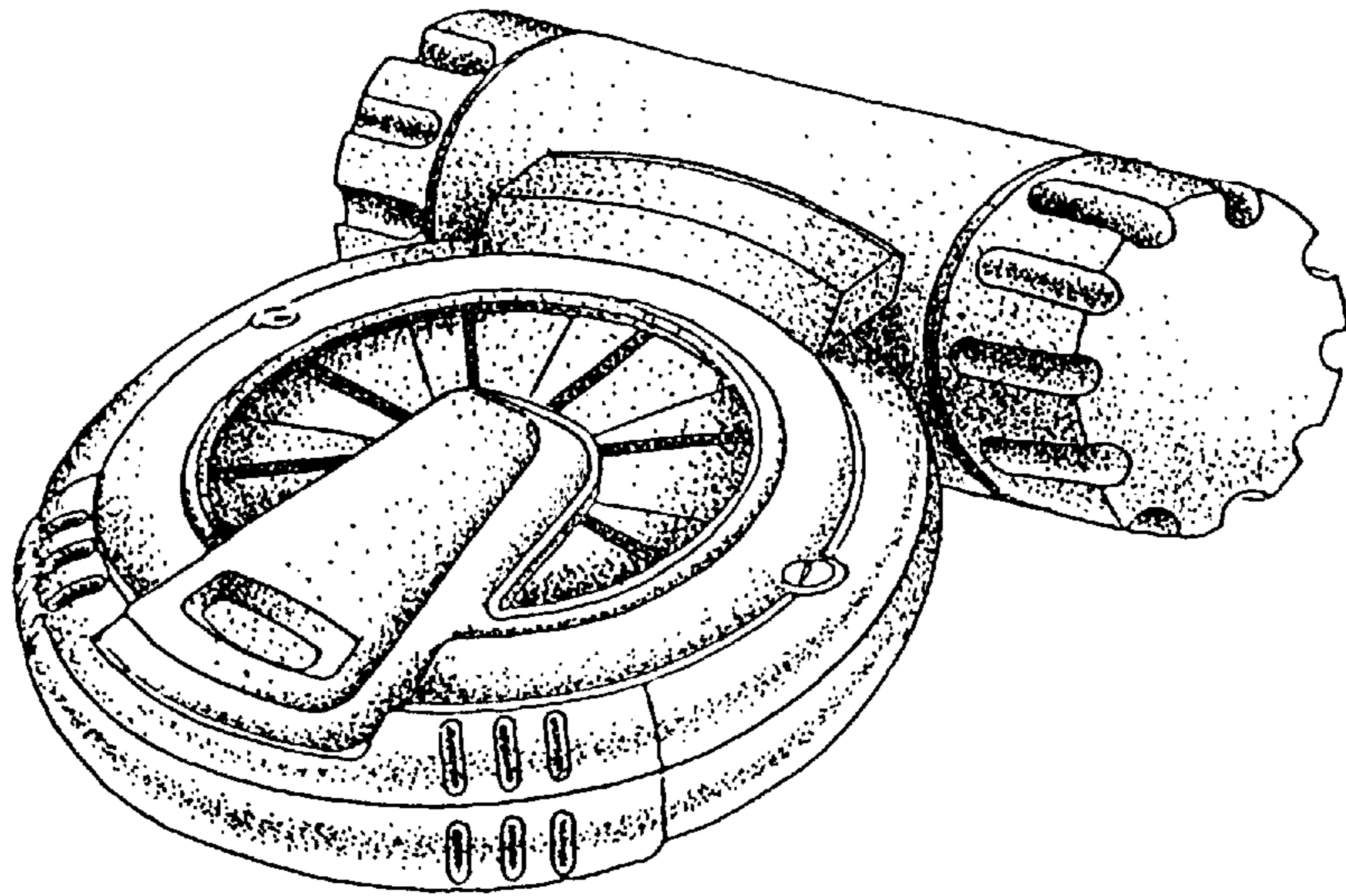


FIG. 7