



US00D398043S

United States Patent [19]

[11] Patent Number: Des. 398,043

Ritsher et al.

[45] Date of Patent: **Sep. 8, 1998

[54] PORTABLE HUMIDIFIER

[75] Inventors: **Kenneth Ritsher**, Watertown; **Walter Birdsell**, Shrewsbury, both of Mass.

[73] Assignee: **Honeywell Consumer Products, Inc.**, Southborough, Mass.

[**] Term: **14 Years**

[21] Appl. No.: **61,999**

[22] Filed: **Nov. 5, 1996**

[51] LOC (6) Cl. **23-04**

[52] U.S. Cl. **D23/356; D23/358**

[58] Field of Search D23/356-363; 261/107; 392/403-406, 394; 422/120, 123

[56] References Cited

U.S. PATENT DOCUMENTS

D. 337,634	7/1993	Copland et al.	D23/356
3,864,437	2/1975	Blaszkowski	261/24
4,882,096	11/1989	Rueben	261/30
5,010,905	4/1991	Snyder et al.	132/272

Primary Examiner—Lisa Lichtenstein
Attorney, Agent, or Firm—Loletta L. Darden

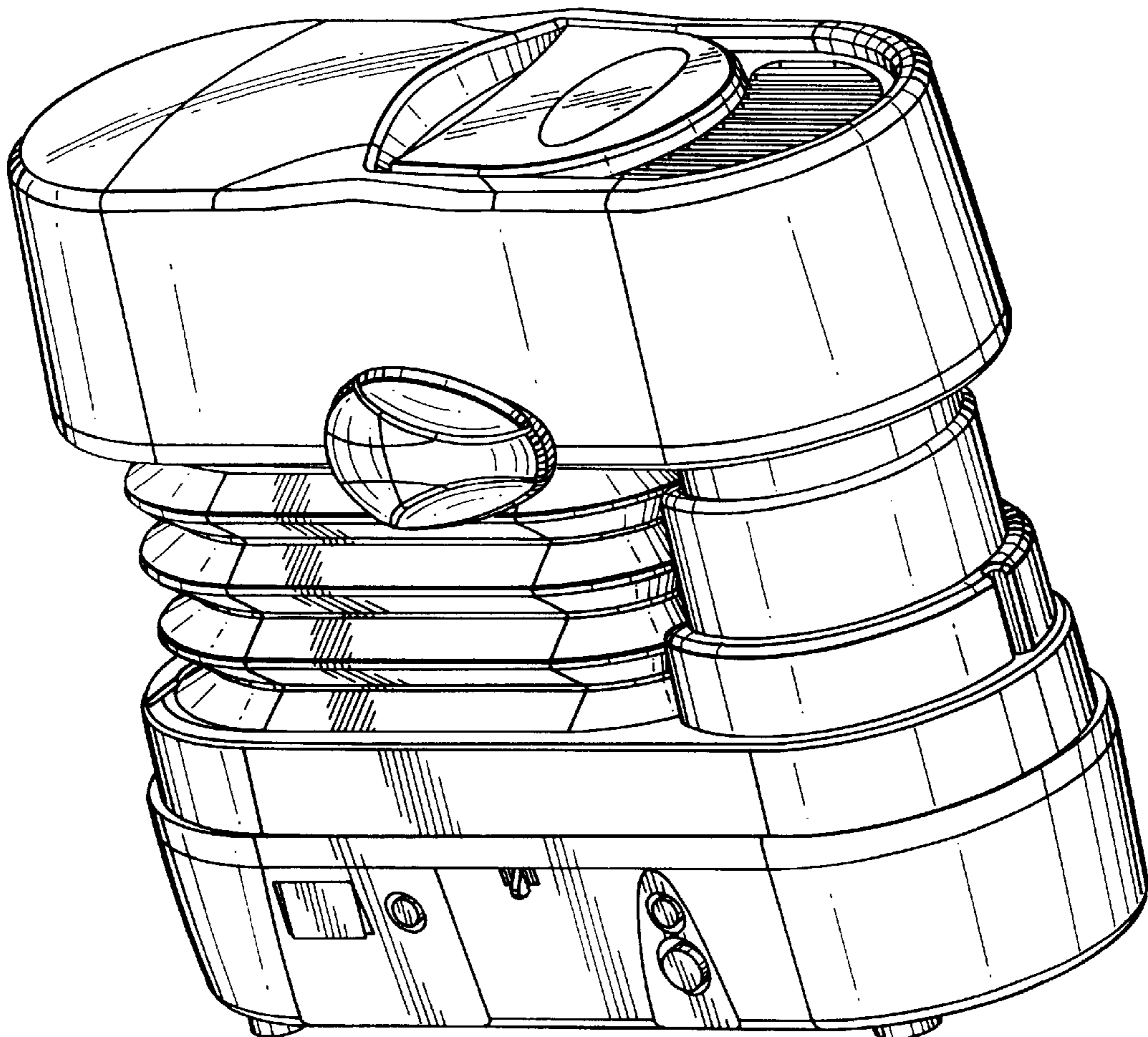
[57] CLAIM

The ornamental design for a portable humidifier, as shown.

DESCRIPTION

FIG. 1 is a perspective view of the humidifier in the extended position;
 FIG. 2 is a front elevational view of the humidifier described in FIG. 1;
 FIG. 3 is a left side elevational view of the humidifier described in FIG. 1;
 FIG. 4 is a right side elevational view of the humidifier described in FIG. 1;
 FIG. 5 is a top plan view of the humidifier described in FIG. 1;
 FIG. 6 is a bottom plan view of the humidifier described in FIG. 1;
 FIG. 7 is a perspective view of the humidifier described in FIG. 1 in the collapsed position;
 FIG. 8 is a front elevational view of the humidifier described in FIG. 1 in the collapsed position;
 FIG. 9 is a right side elevational view of the humidifier described in FIG. 1 in the collapsed position; and,
 FIG. 10 is a left side elevational view of the humidifier described in FIG. 1 in the collapsed position.

1 Claim, 7 Drawing Sheets



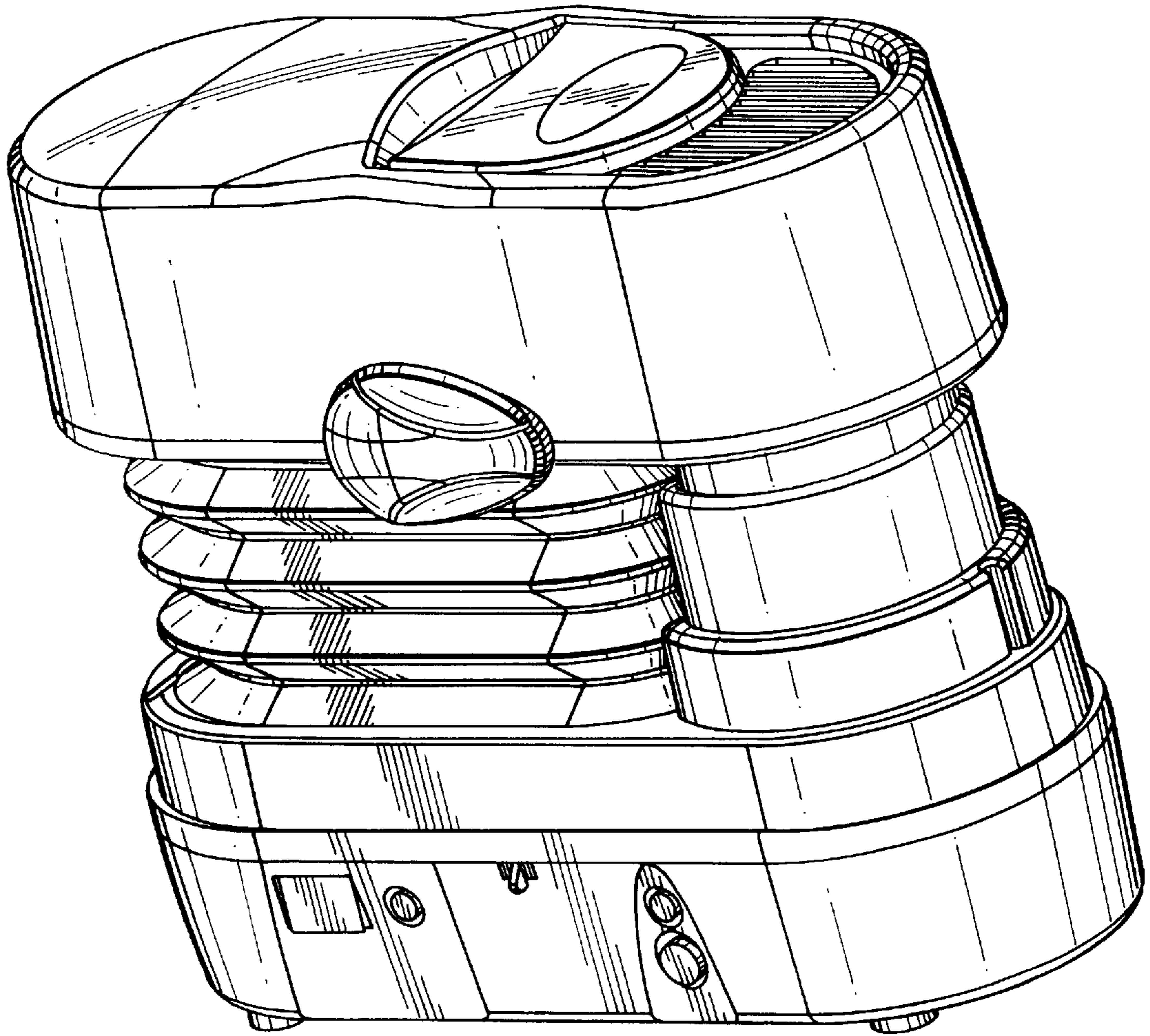


FIG. 1

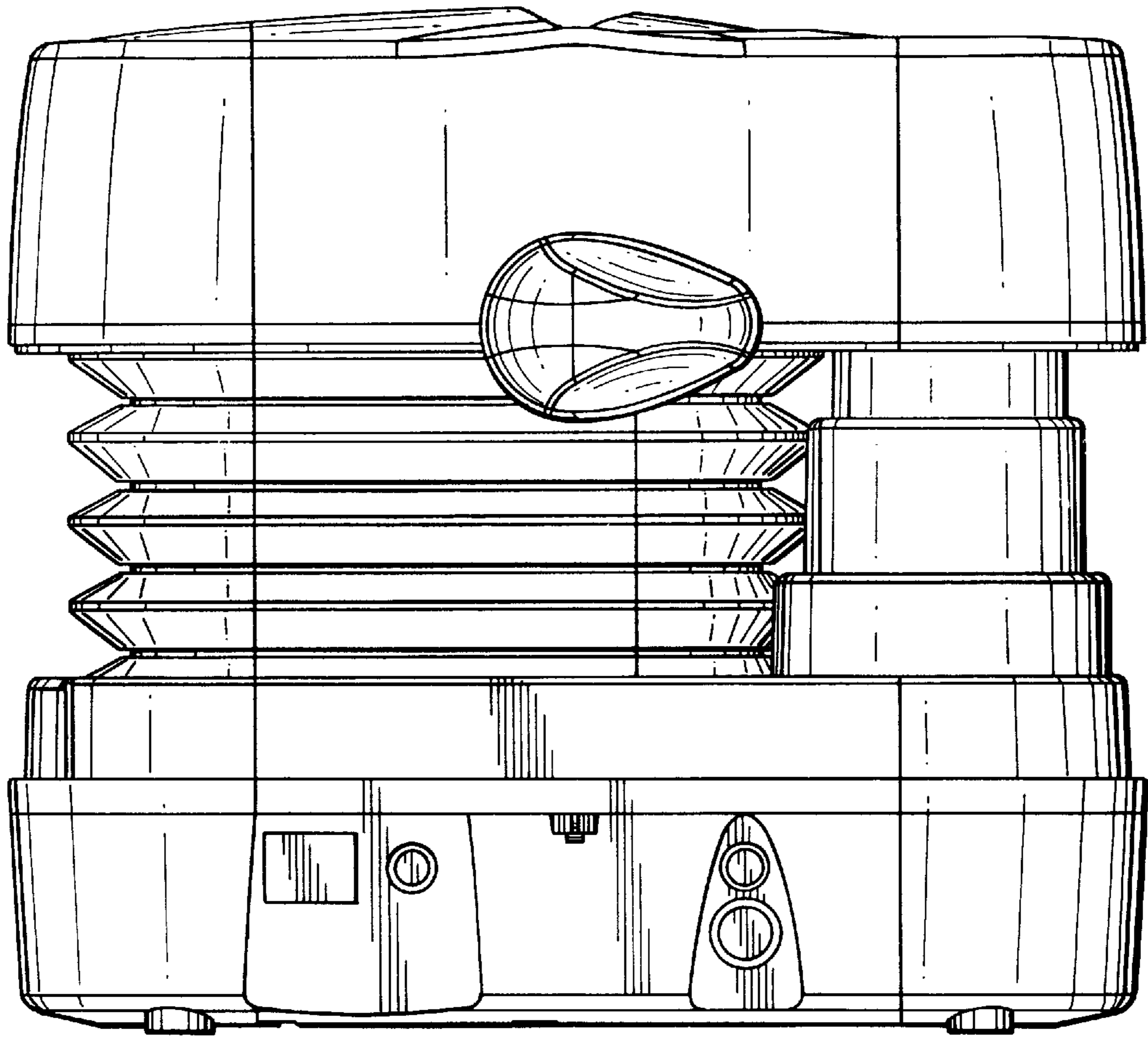


FIG. 2

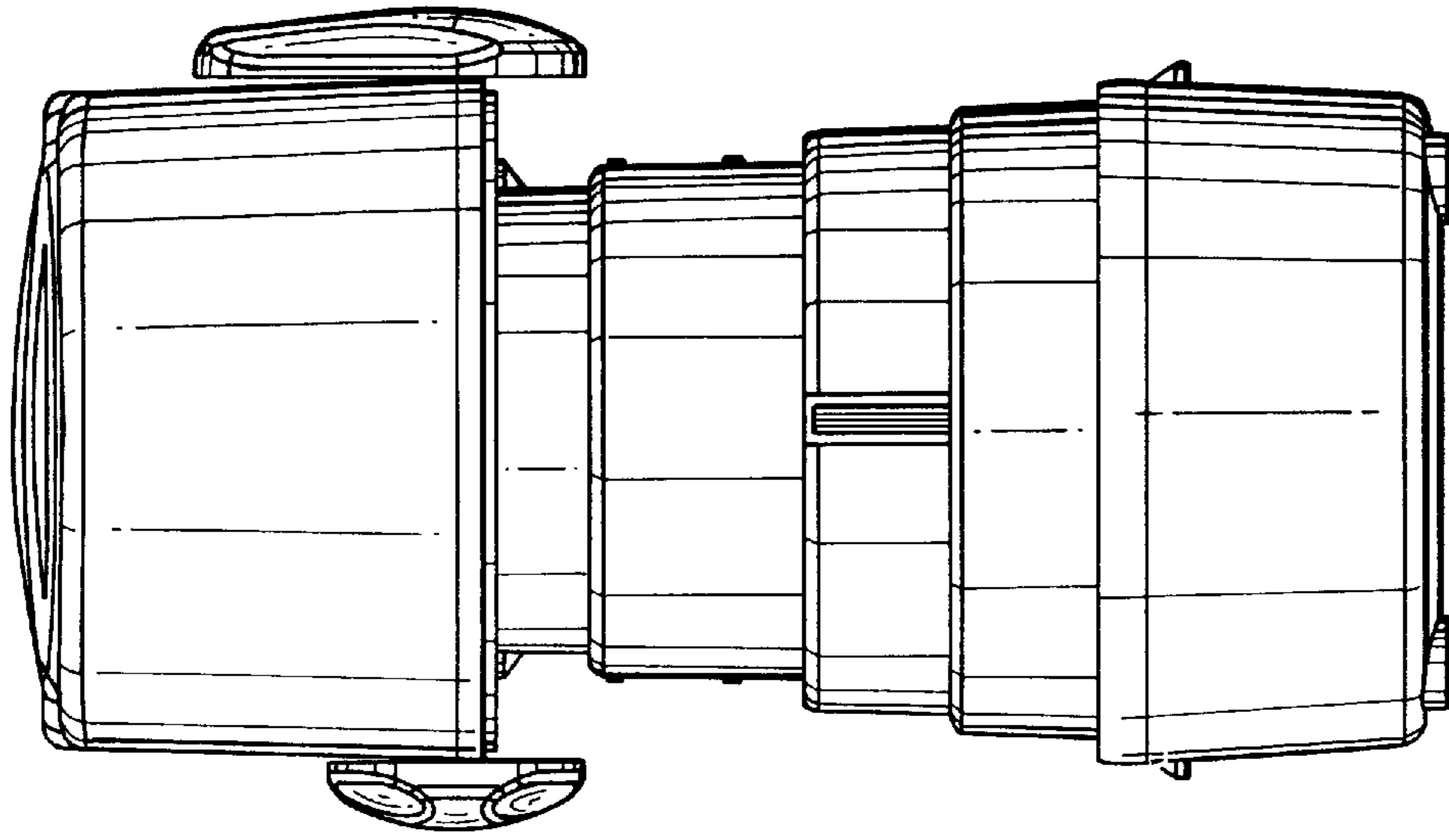


FIG. 4

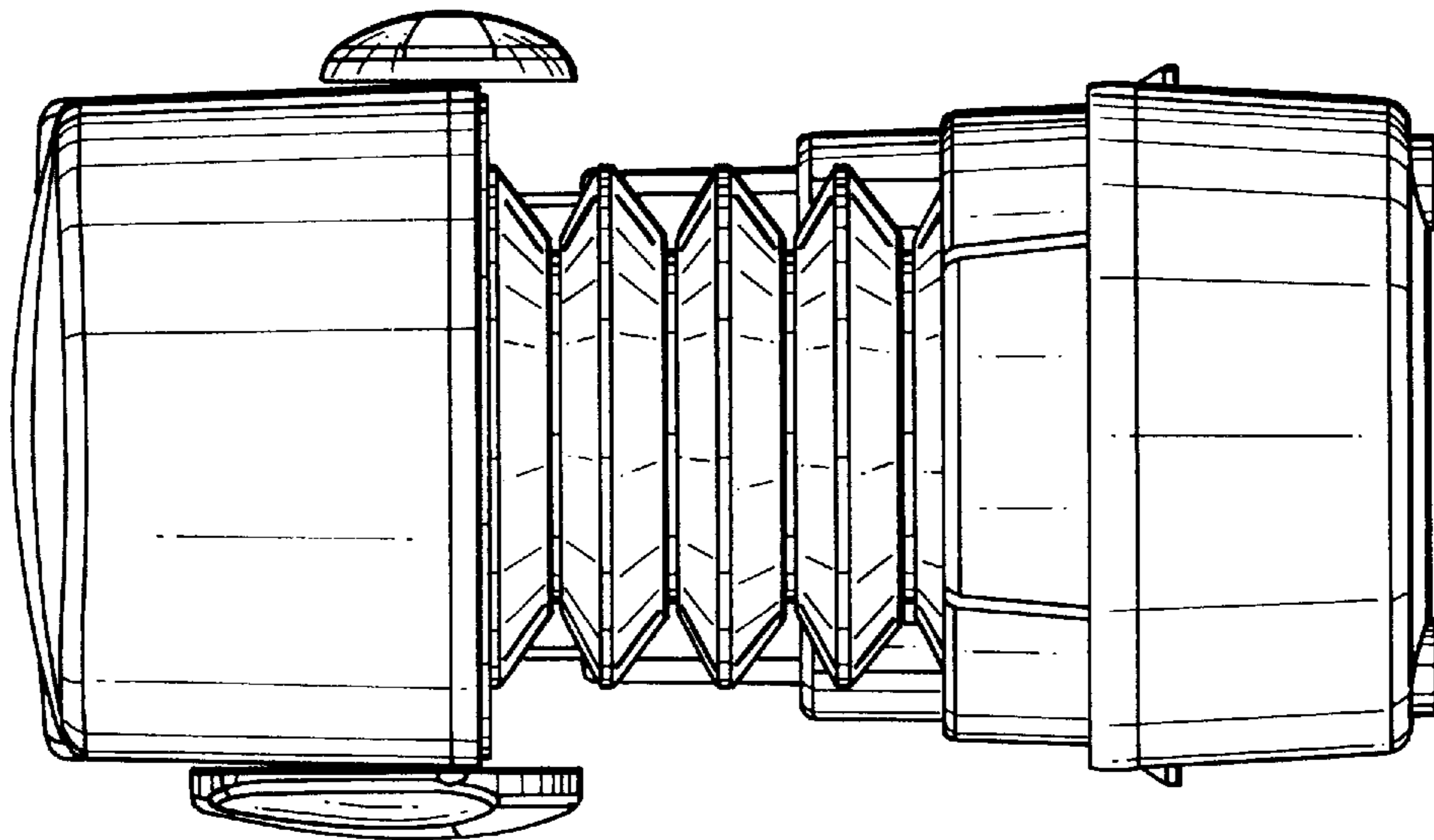


FIG. 3

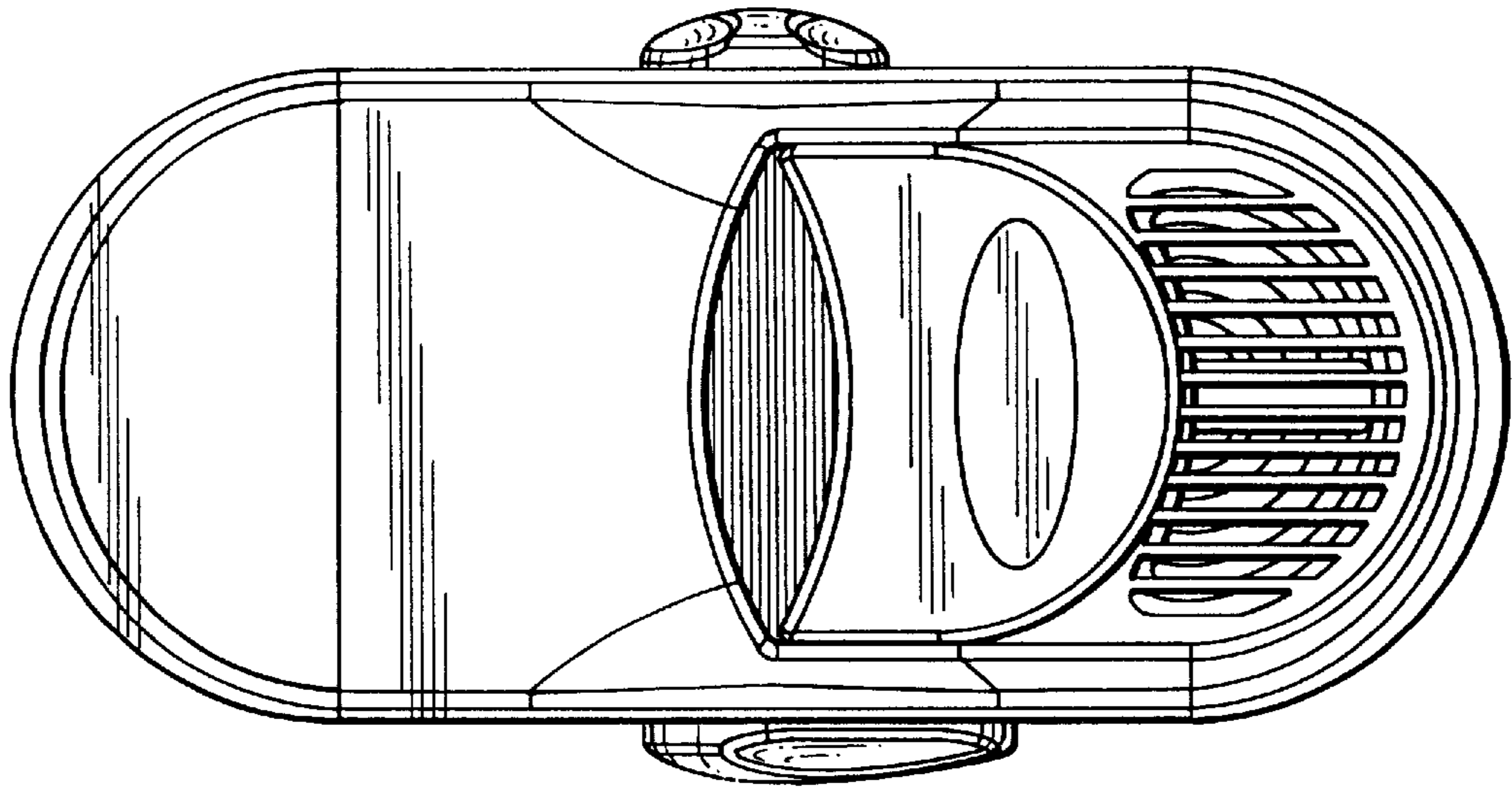


FIG. 5

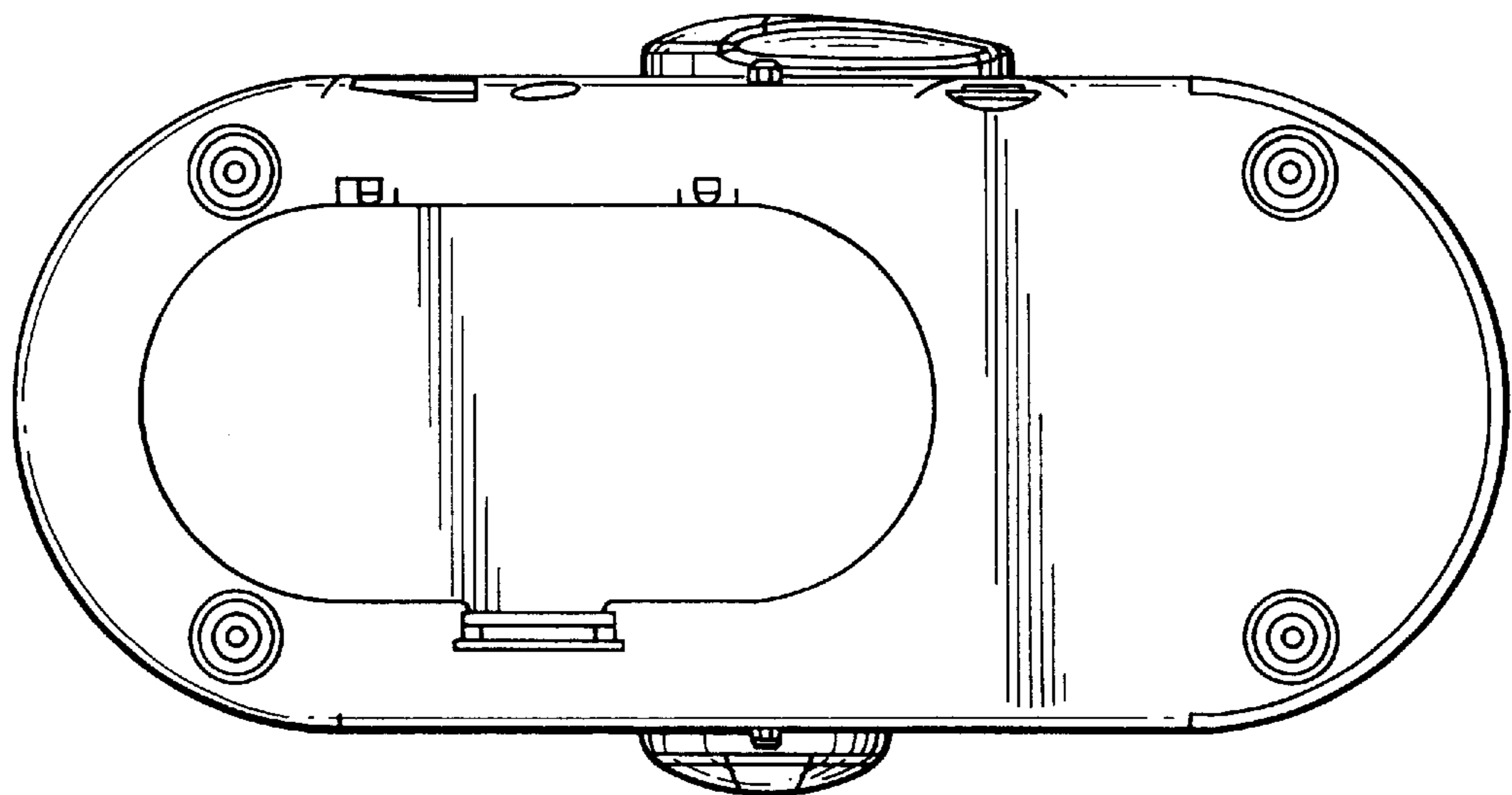


FIG. 6

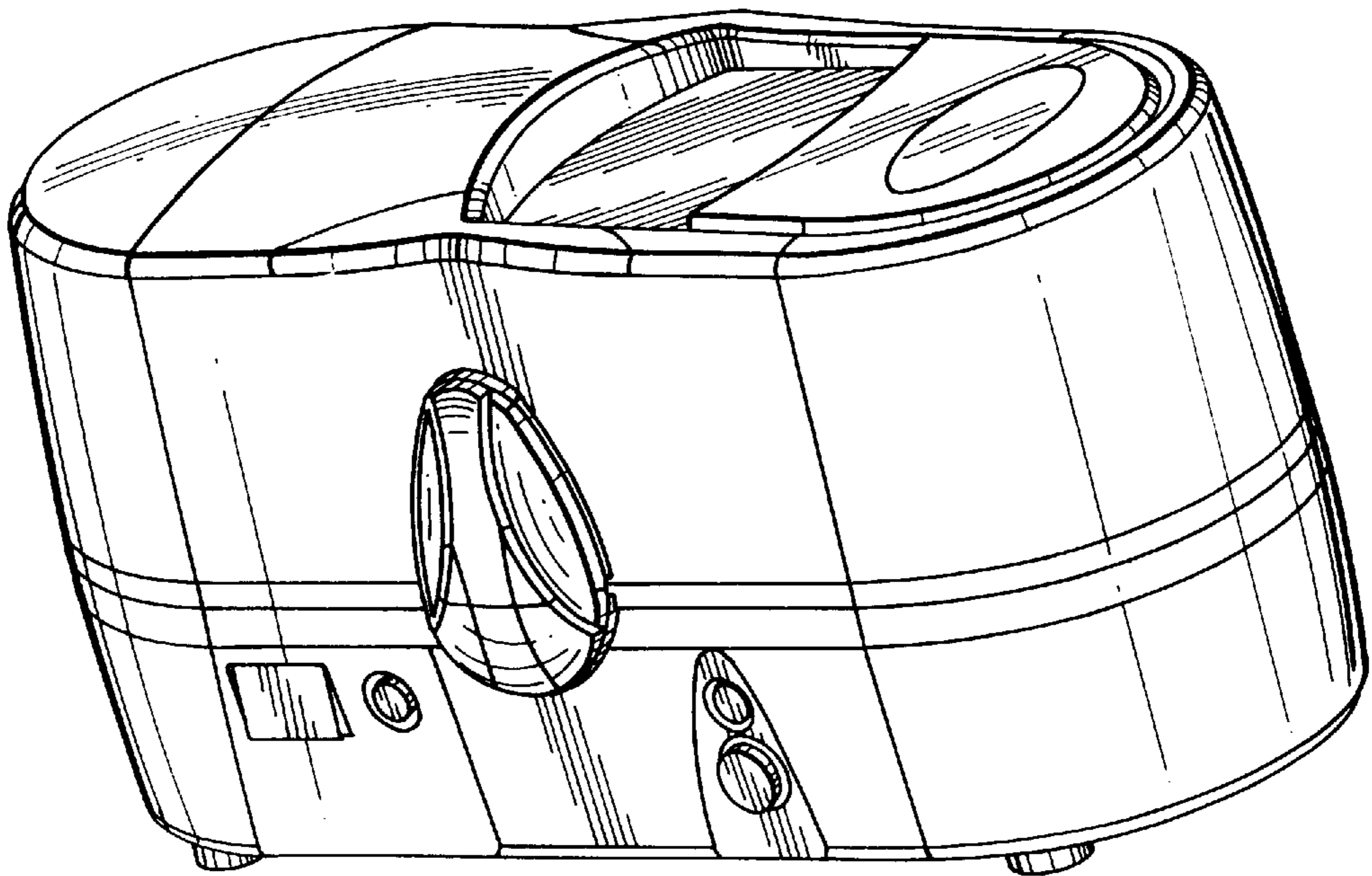


FIG. 7

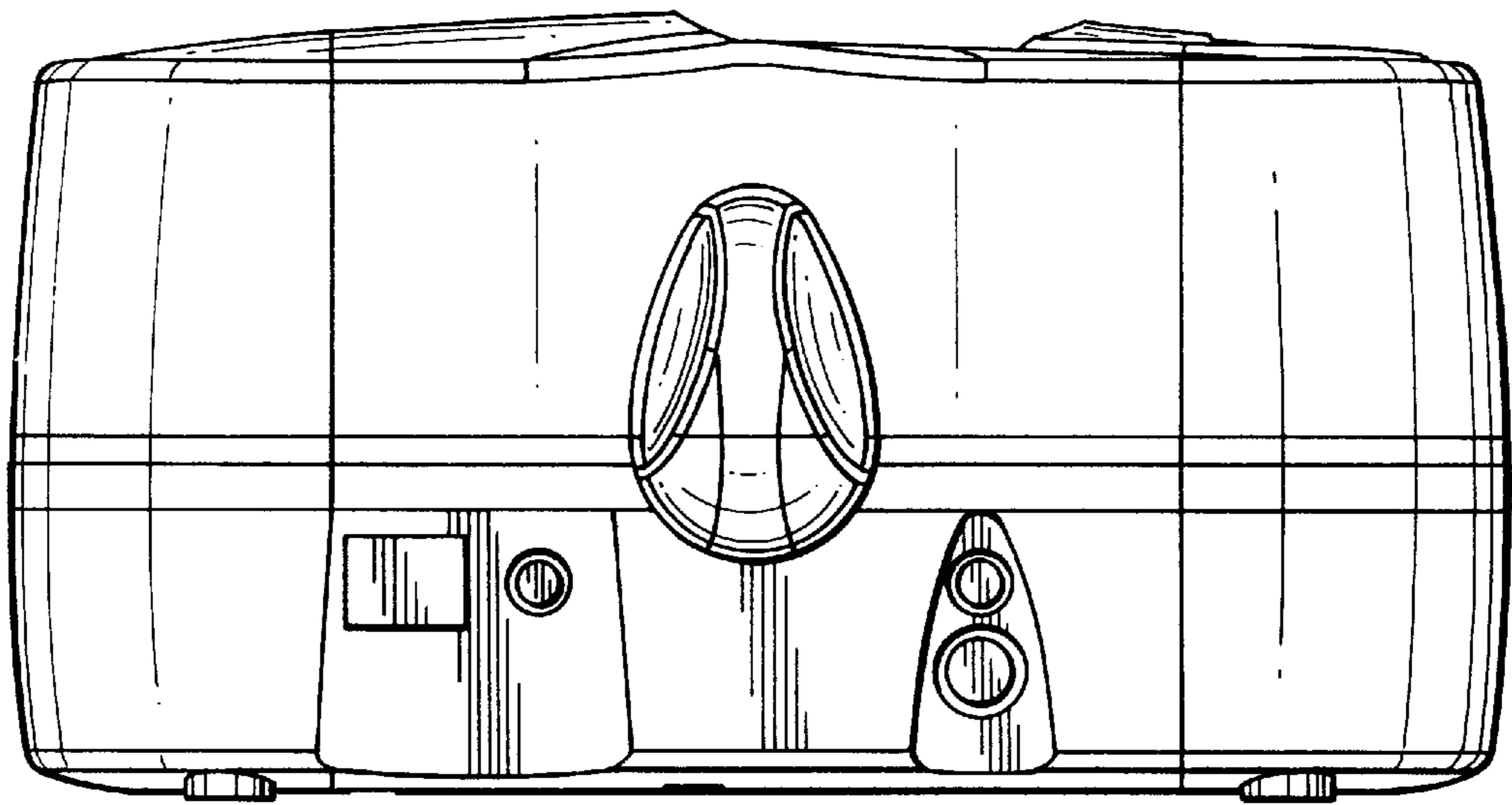


FIG. 8

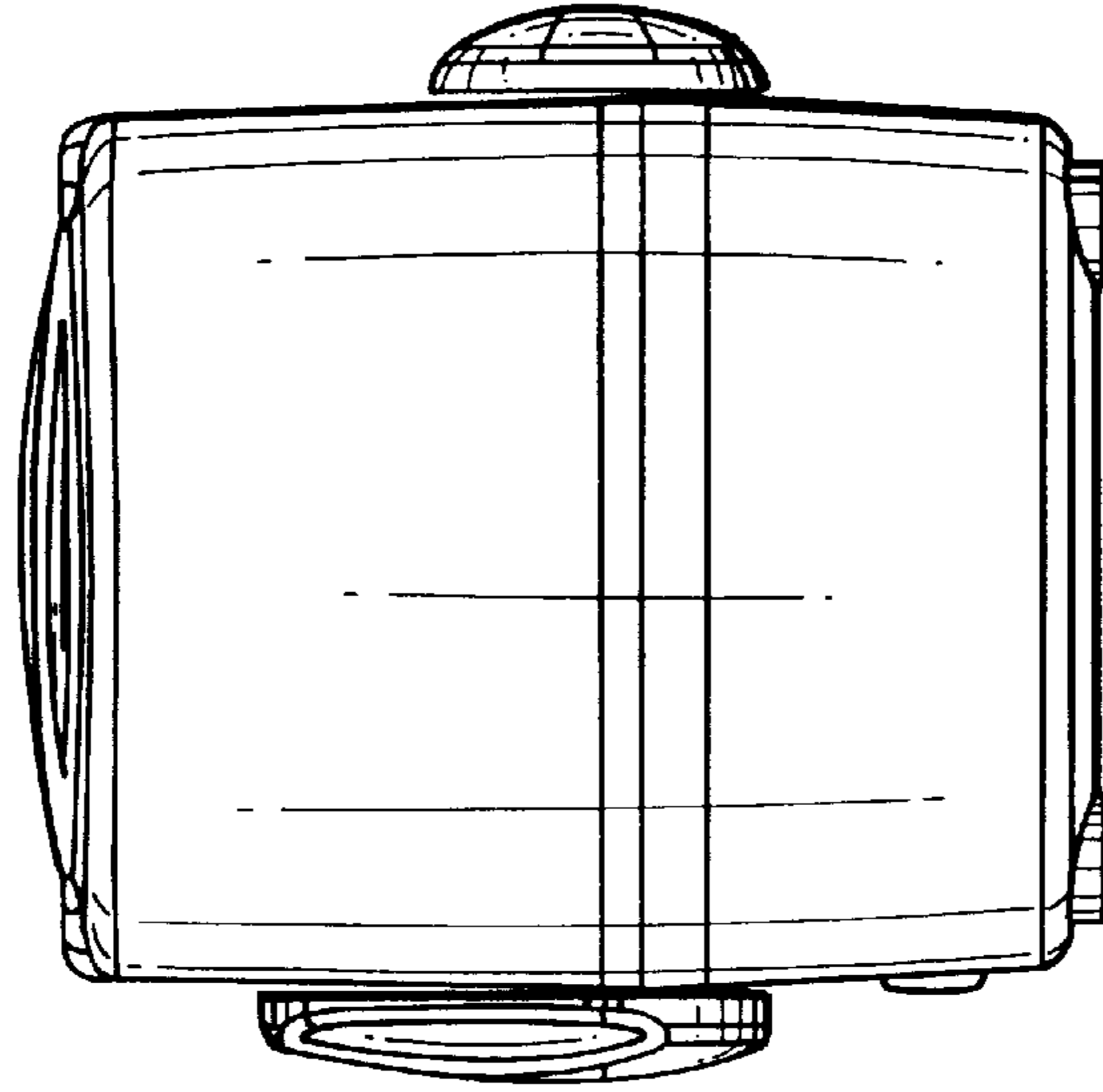


FIG. 10

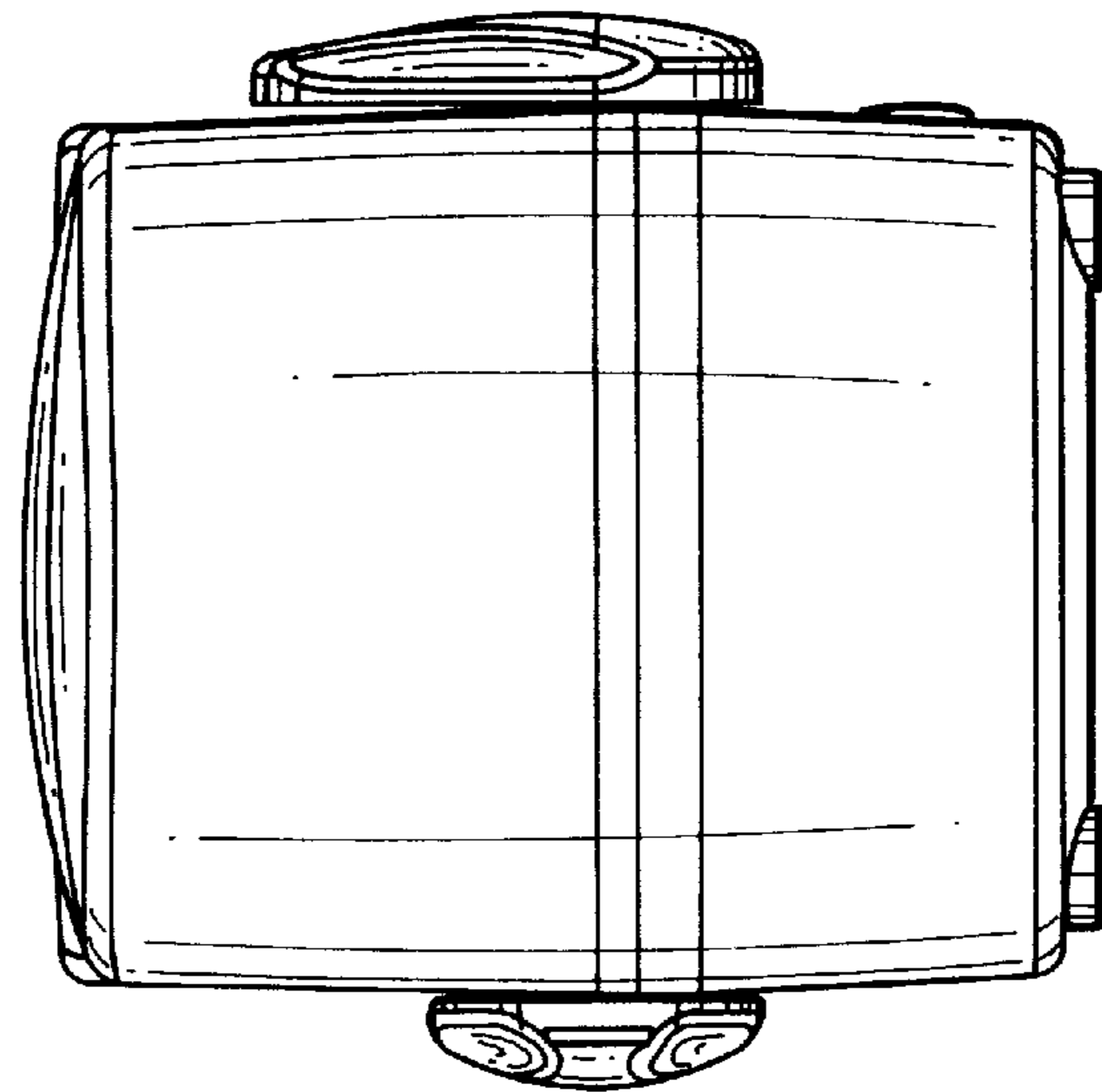


FIG. 9