



US00D398042S

United States Patent [19]
Thweatt

[11] **Patent Number: Des. 398,042**
[45] **Date of Patent: **Sep. 8, 1998**

[54] **WATER HEATER**

D. 59,437 10/1921 Smith D23/321
1,978,690 10/1934 Peterson 392/462
3,835,294 9/1974 Krohn et al. 392/484

[75] Inventor: **Carl Thweatt**, South Haven, Mich.

[73] Assignee: **Sherwood-Templeton Coal Company, Inc.**, Indianapolis, Ind.

Primary Examiner—Holly Baynham
Attorney, Agent, or Firm—Price, Heneveld, Cooper, DeWitt & Litton

[**] Term: **14 Years**

[57] **CLAIM**

[21] Appl. No.: **69,497**

The ornamental design for a water heater, as shown and described.

[22] Filed: **Apr. 21, 1997**

DESCRIPTION

Related U.S. Application Data

[62] Division of Ser. No. 54,401, May 14, 1996.

FIG. 1 is a side elevational, perspective view of a water heater showing my new design;

[51] **LOC (6) Cl.** **23-03**

FIG. 2 is a side elevational view thereof;

[52] **U.S. Cl.** **D23/314**

FIG. 3 is a side elevational view of the side thereof opposite to that of FIG. 2;

[58] **Field of Search** D23/321-322,
D23/314; 392/462, 484

FIG. 4 is a top plan view thereof the bottom view being a mirror image; and,

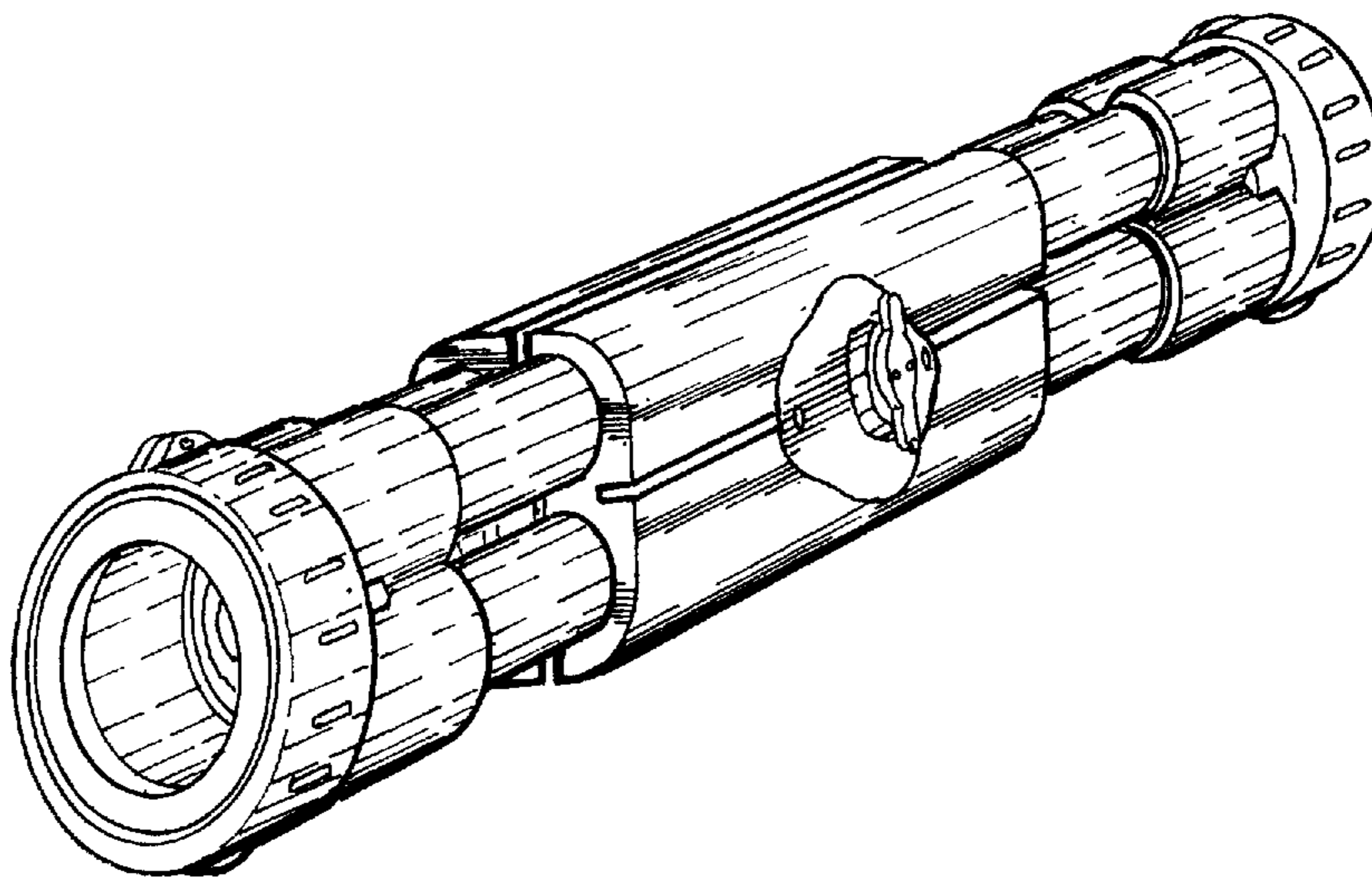
[56] **References Cited**

FIG. 5 is a left elevational end view thereof, the right end elevational view being a mirror image thereof.

U.S. PATENT DOCUMENTS

D. 30,498 4/1899 Worthington D23/322

1 Claim, 3 Drawing Sheets



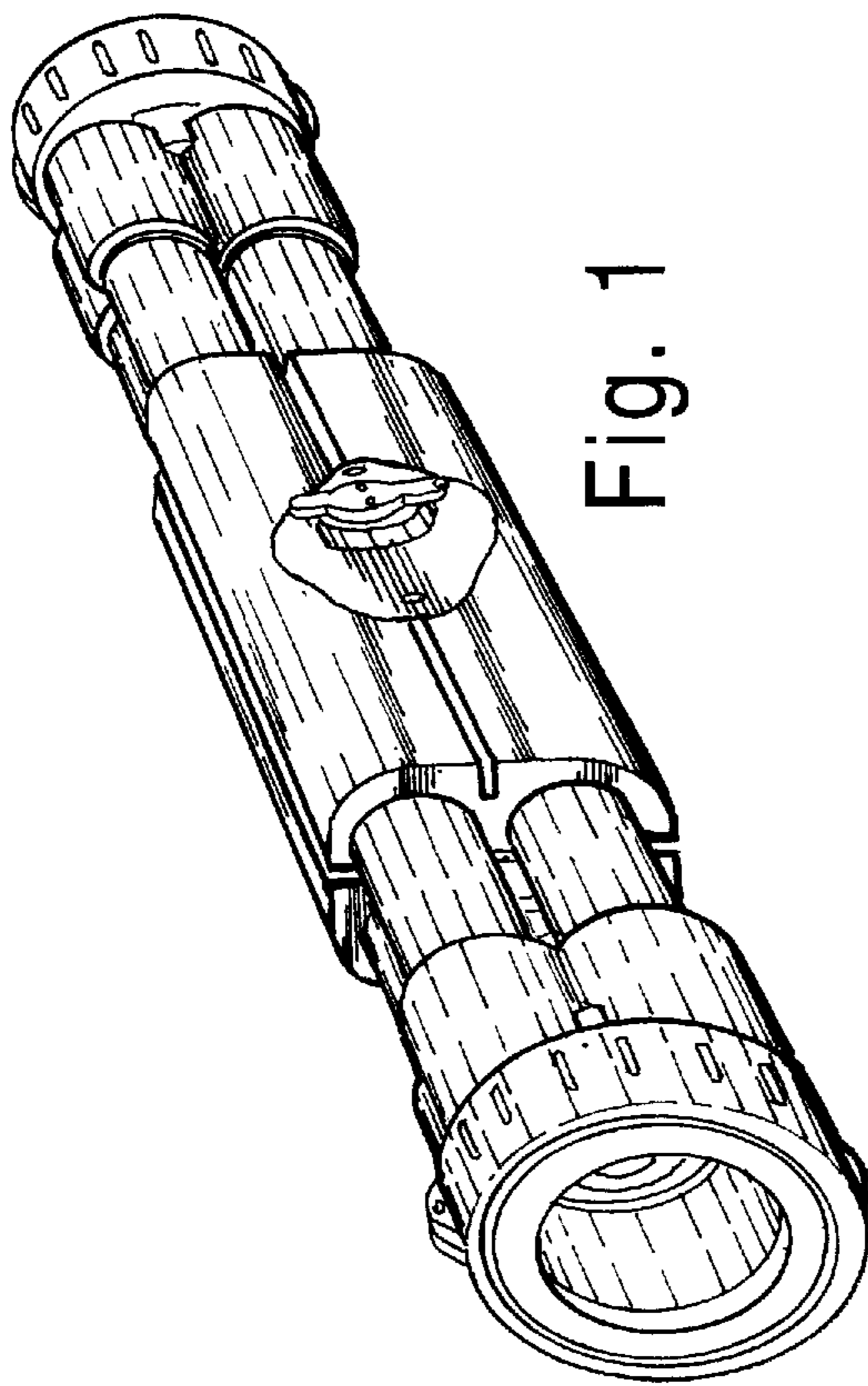


Fig. 1

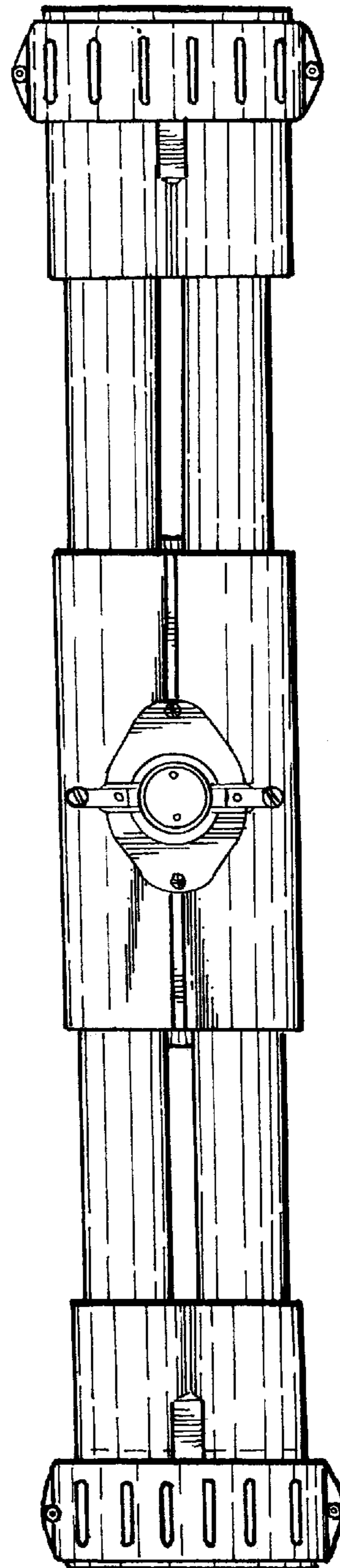


Fig. 2

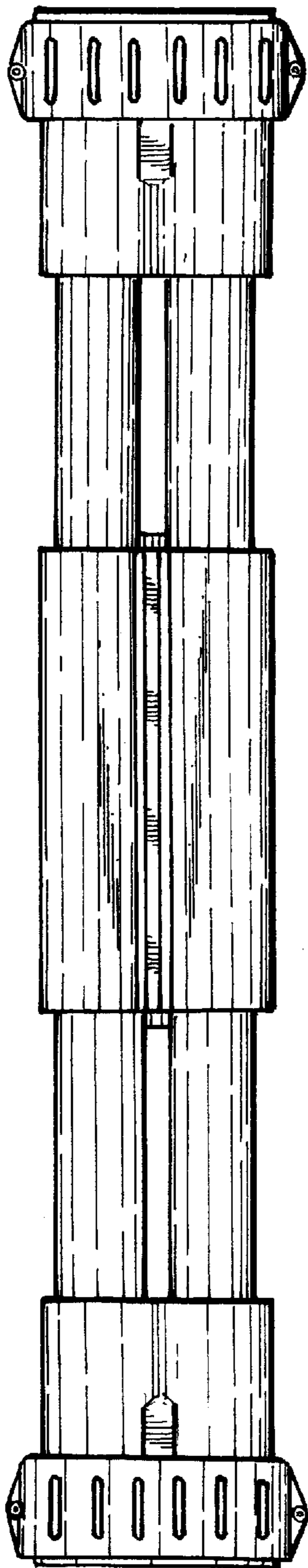


Fig. 3

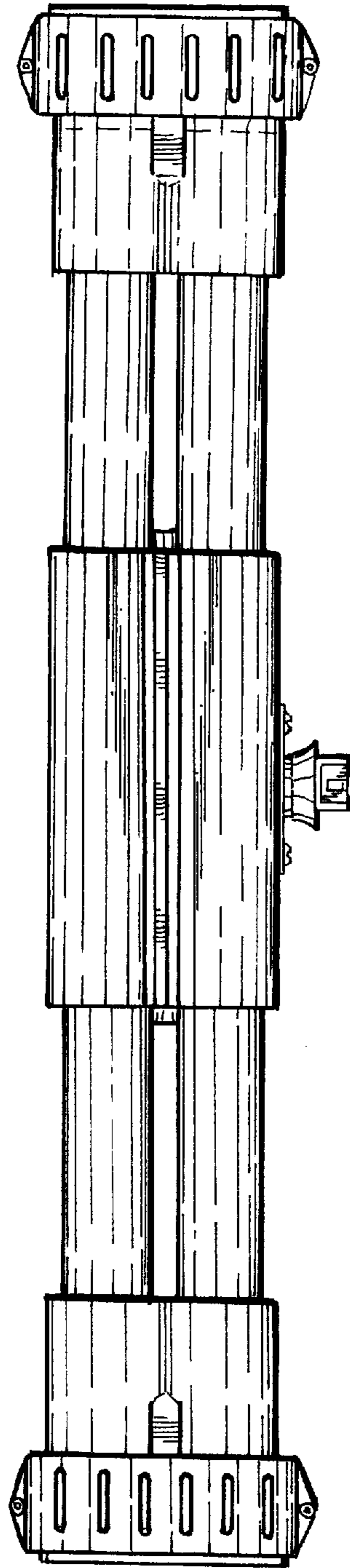


Fig. 4

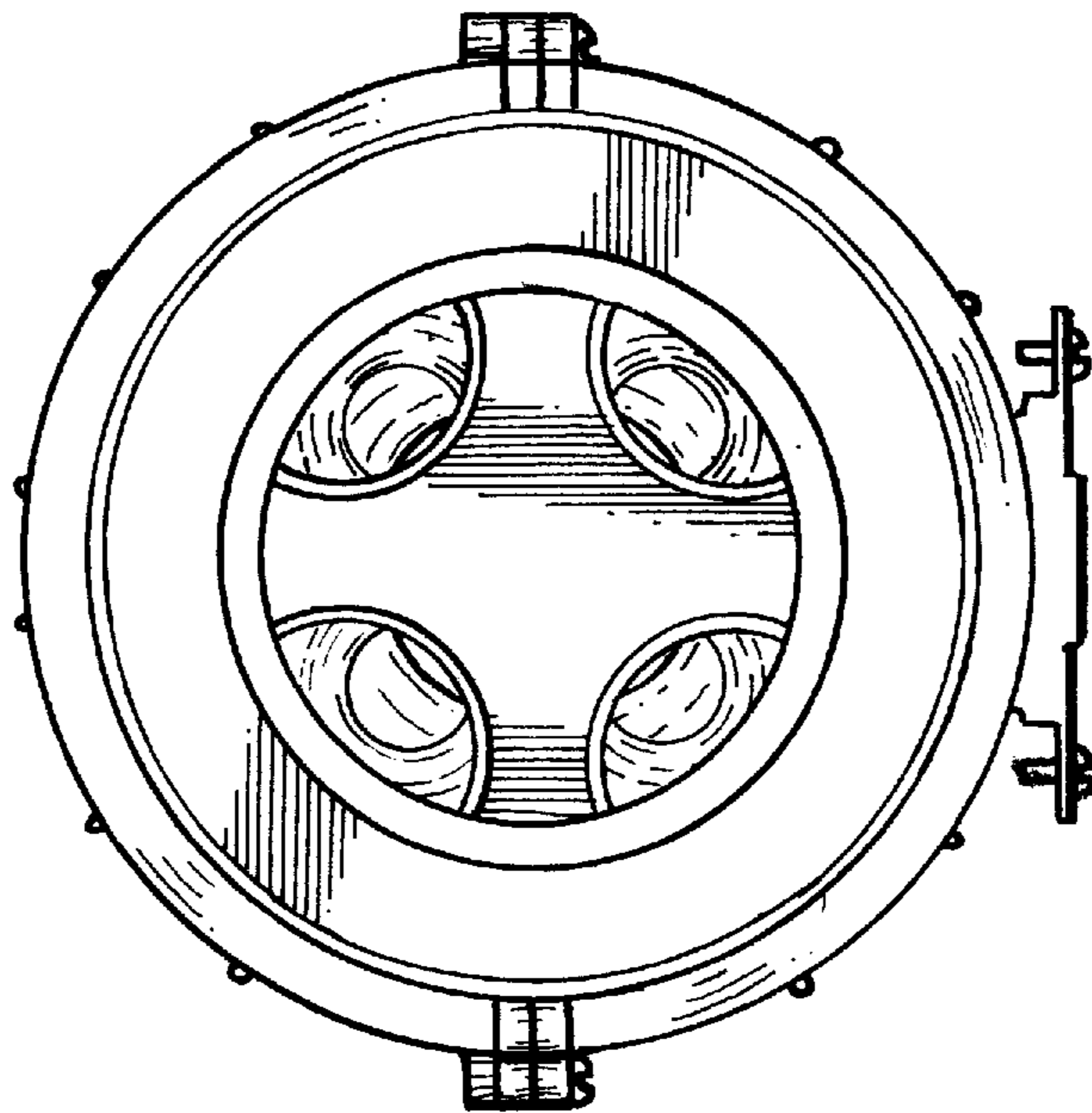


Fig. 5