



US00D398041S

United States Patent [19]
Kitt

[11] **Patent Number: Des. 398,041**

[45] **Date of Patent: **Sep. 8, 1998**

[54] **TOILET SEAT LIFT**

[76] Inventor: **Jeffery Kitt**, 3514 32nd St., San Diego, Calif. 92104

[**] Term: **14 Years**

[21] Appl. No.: **77,960**

[22] Filed: **Oct. 14, 1997**

[51] **LOC (6) Cl. 23-02**

[52] **U.S. Cl. D23/311**

[58] **Field of Search** D23/303, 309,
D23/312; D8/300, 307; 4/246.1, 246.3,
234, 236, 238, 240, 241, 661

[56] **References Cited**

U.S. PATENT DOCUMENTS

D. 350,599	9/1994	Silverstein et al.	D23/309
D. 386,560	11/1997	Doale	D23/371
5,369,819	12/1994	Copuduo, Jr.	4/661
5,435,076	7/1995	Smith et al.	4/234
5,689,838	11/1997	MacKenzie	4/246.1

Primary Examiner—Louis S. Zarfaz
Assistant Examiner—Eric Watterson

Attorney, Agent, or Firm—James C. Weseman, Esq.; The Law Offices of James C. Weseman

[57] **CLAIM**

The ornamental design for a toilet seat lift, as shown and described.

DESCRIPTION

FIG. 1 is a perspective view of a toilet seat lift, showing my new design;

FIG. 2 is a bottom plan view of the toilet seat lift of FIG. 1;

FIG. 3 is a front elevation view of the toilet seat lift of FIG. 1;

FIG. 4 is a rear elevation view of the toilet seat lift of FIG. 1;

FIG. 5 is a left side elevation view of the toilet seat lift of FIG. 1;

FIG. 6 is a right side elevation view of the toilet seat lift of FIG. 1; and,

FIG. 7 is a top plan view of the toilet seat lift of FIG. 1.

The broken line showing is for illustrative purposes only and forms no part of the claimed design.

1 Claim, 3 Drawing Sheets

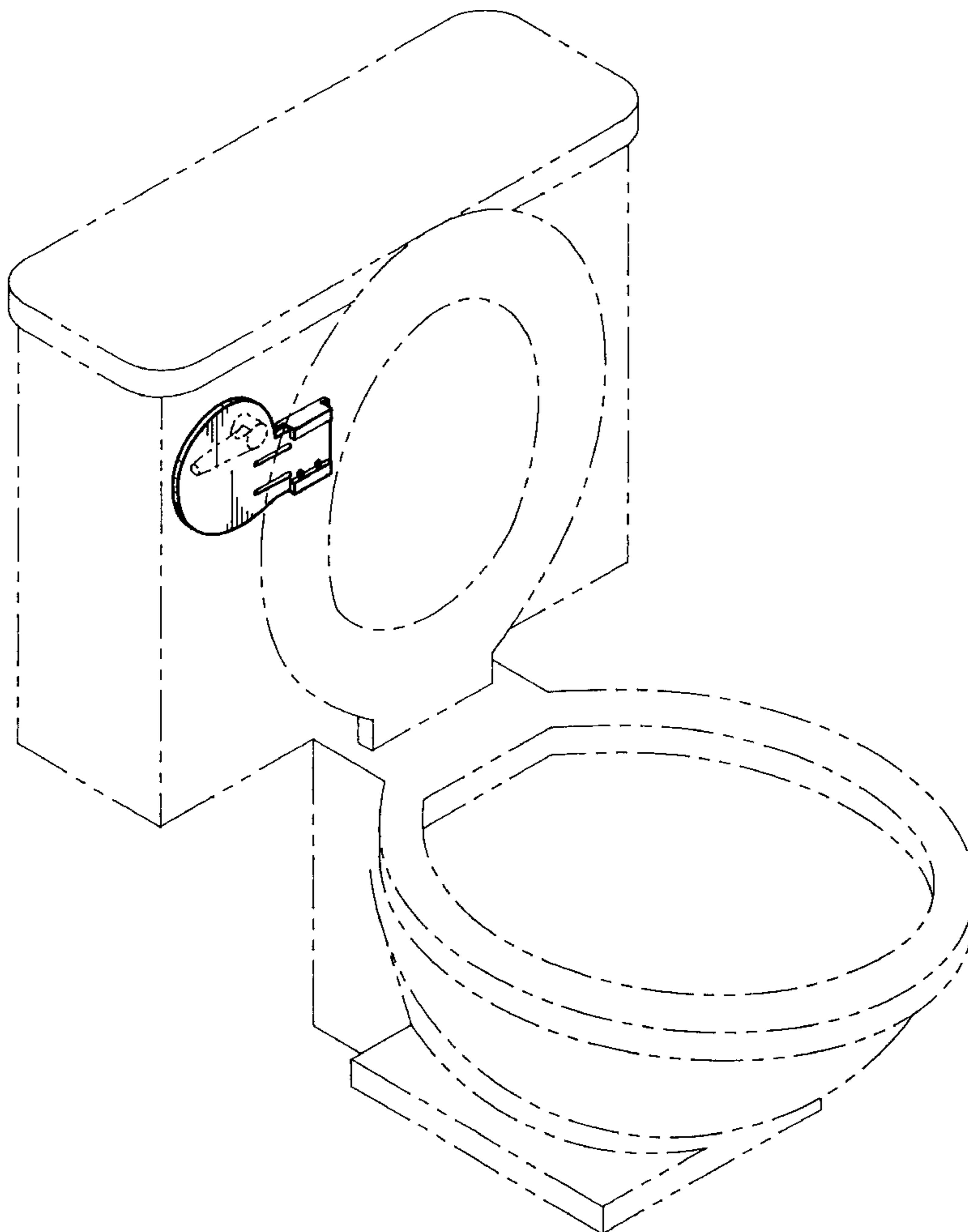


FIG. 1

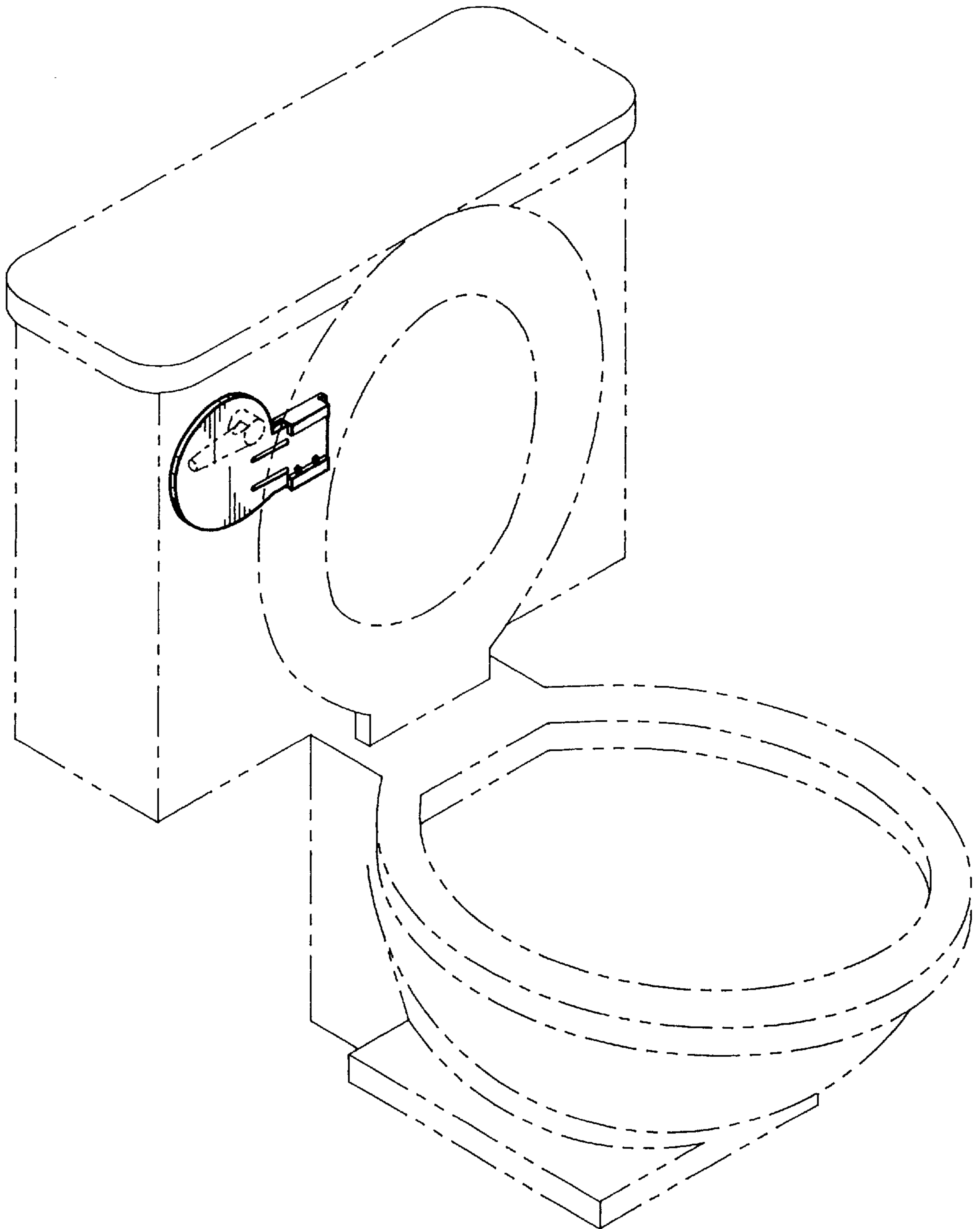


FIG. 3

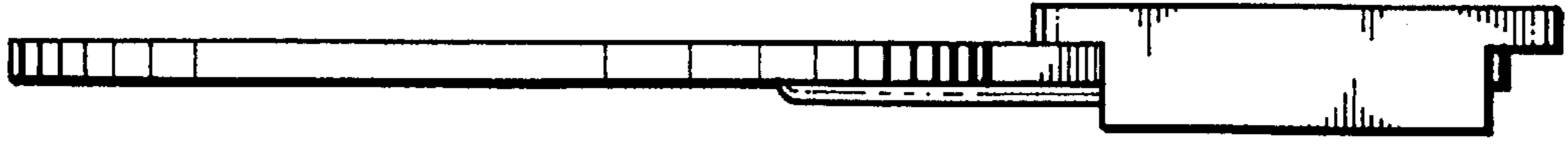


FIG. 2

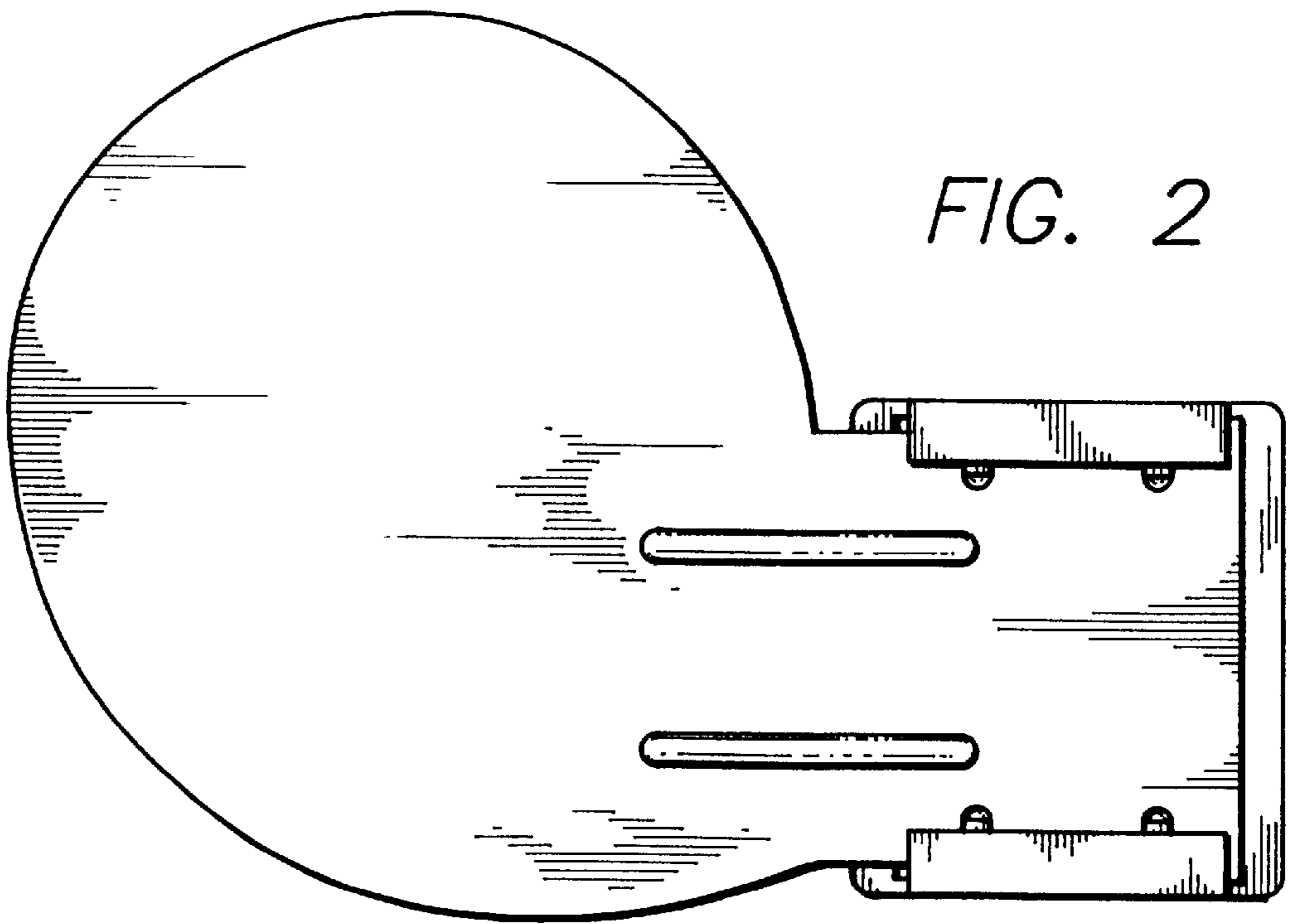
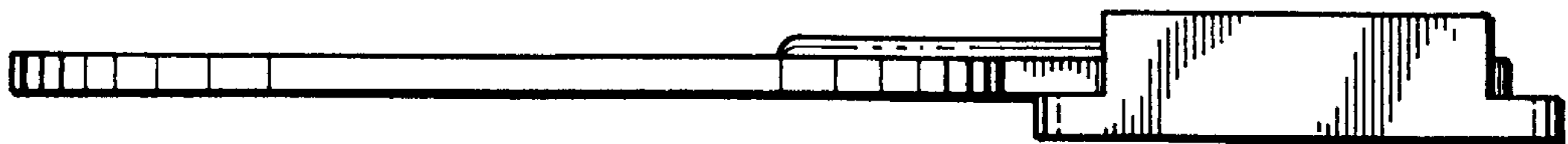


FIG. 4



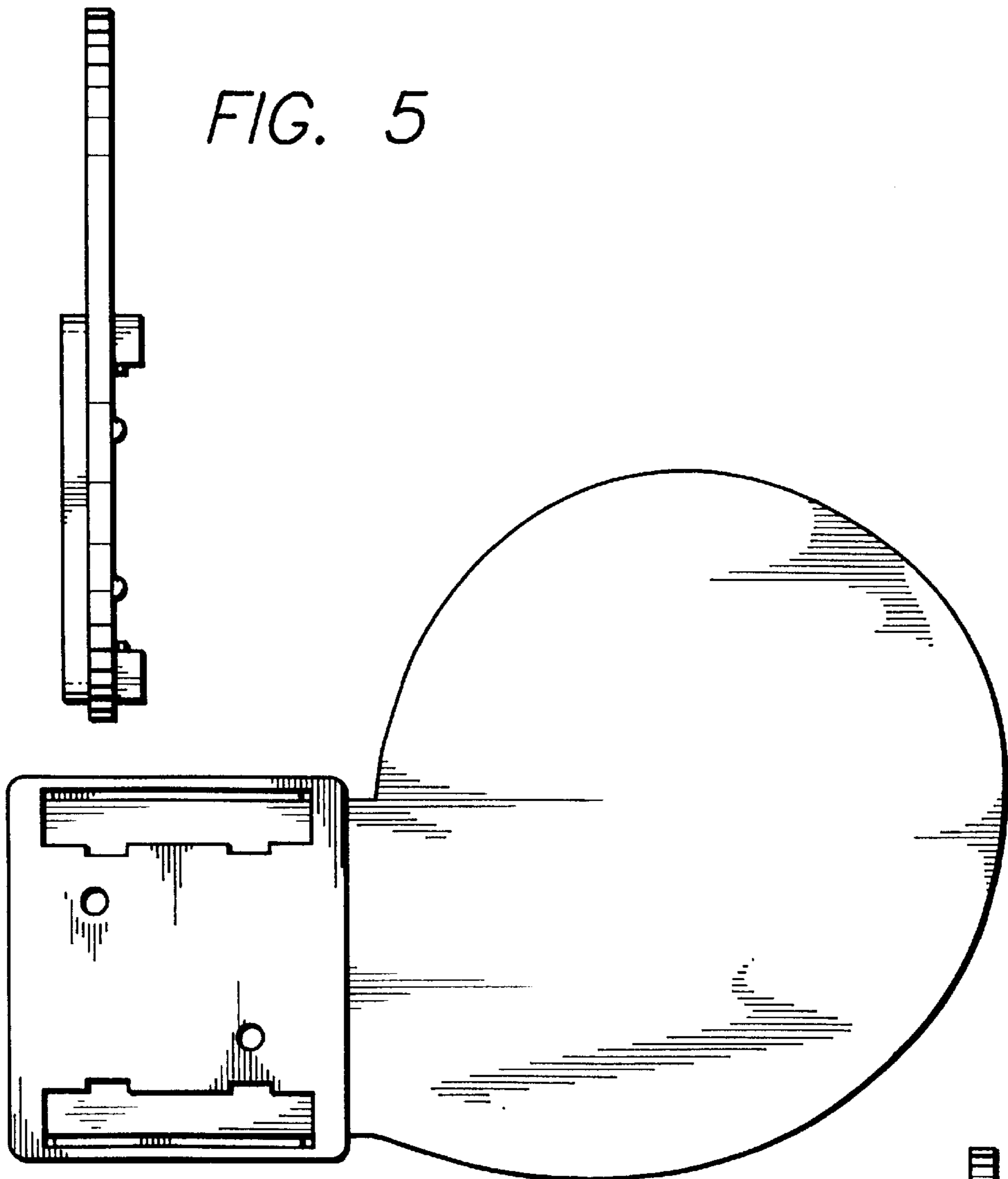


FIG. 7

FIG. 6

