



US00D398037S

United States Patent [19]

[11] **Patent Number: Des. 398,037**

Drewes

[45] **Date of Patent: **Sep. 8, 1998**

[54] **BIODEGRADABLE DISINFECTANT AND DEODORANT DISPERSING DEVICE**

Primary Examiner—Alan P. Douglas
Assistant Examiner—Robin V. Taylor

[76] Inventor: **Gary James Drewes**, 9 Collins Rd.,
Glen Cove, N.Y. 11542

[57] **CLAIM**

[**] Term: **14 Years**

The ornamental design for a biodegradable disinfectant and deodorant dispersing device, as shown and described.

[21] Appl. No.: **64,358**

DESCRIPTION

[22] Filed: **Dec. 30, 1996**

FIG. 1 is a top plan view of the biodegradable disinfectant and deodorant dispersing device of the present invention; FIG. 2 is a bottom plan view of the biodegradable disinfectant and deodorant dispersing device of FIG. 1; FIG. 3 is a left side plan view of the biodegradable disinfectant and deodorant dispersing device of FIG. 1; FIG. 4 is a right side plan view of the biodegradable disinfectant and deodorant dispersing device of FIG. 1; FIG. 5 is a front plan view of the biodegradable disinfectant and deodorant dispersing device of FIG. 1; and, FIG. 6 is a back plan view of the biodegradable disinfectant and deodorant dispersing device of FIG. 1.

[51] **LOC (6) Cl.** **23-01**

[52] **U.S. Cl.** **D23/208**

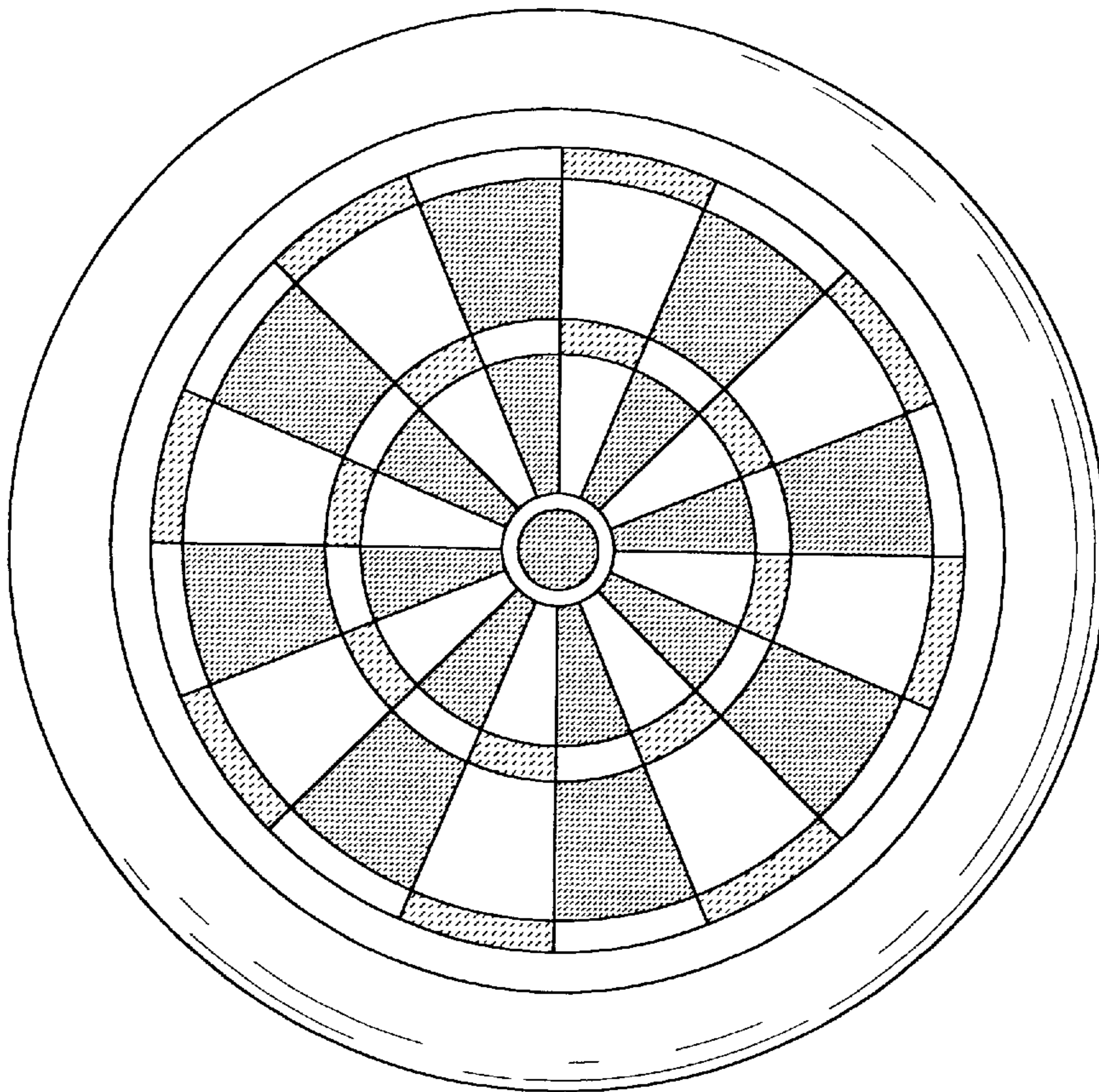
[58] **Field of Search** D23/200, 208;
4/231

[56] **References Cited**

U.S. PATENT DOCUMENTS

D. 92,428	6/1934	Saeks	D23/208
D. 302,580	8/1989	Gatarz	D23/208
4,805,246	2/1989	De Vargas	4/231

1 Claim, 2 Drawing Sheets



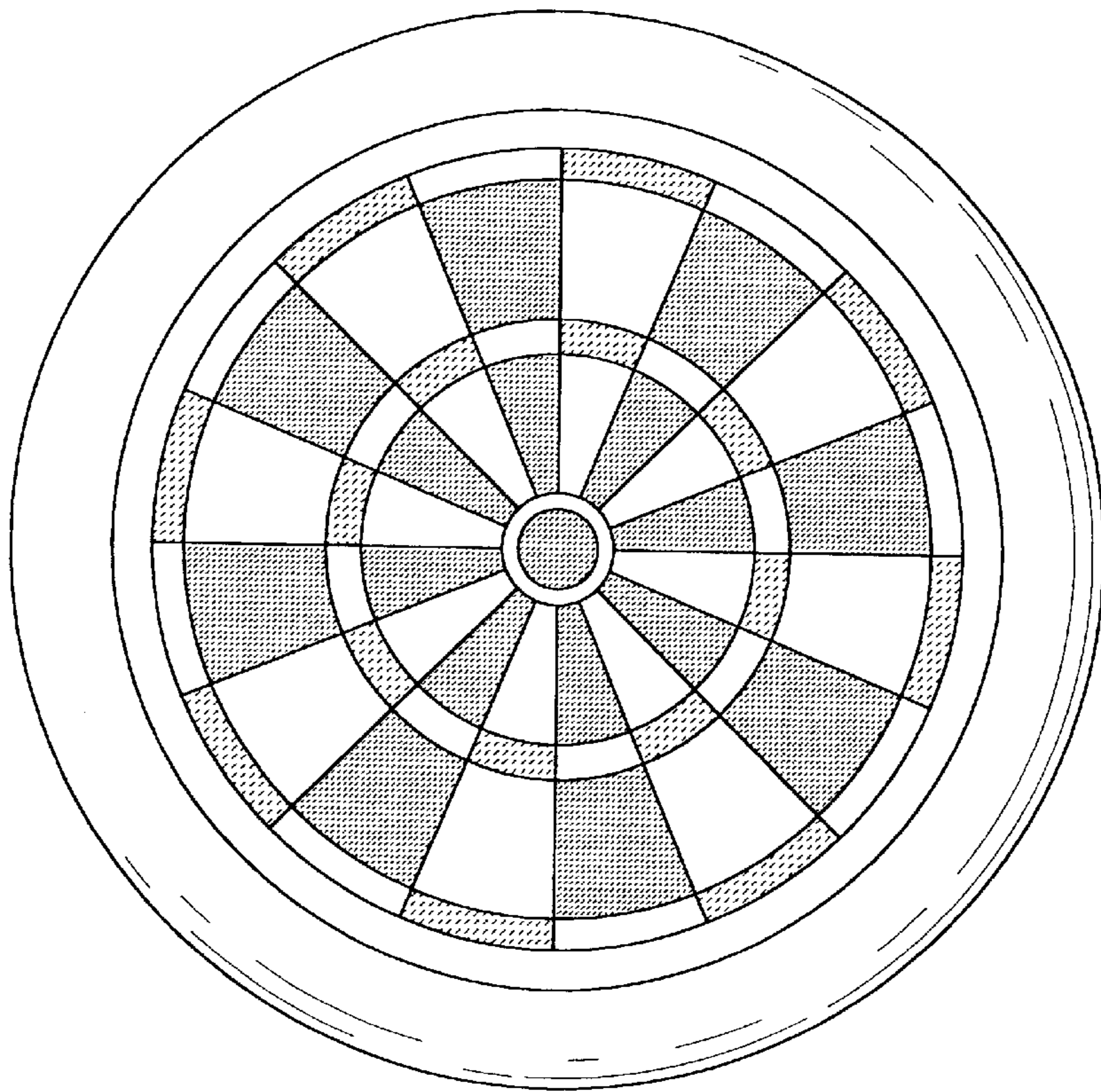


Fig. 1

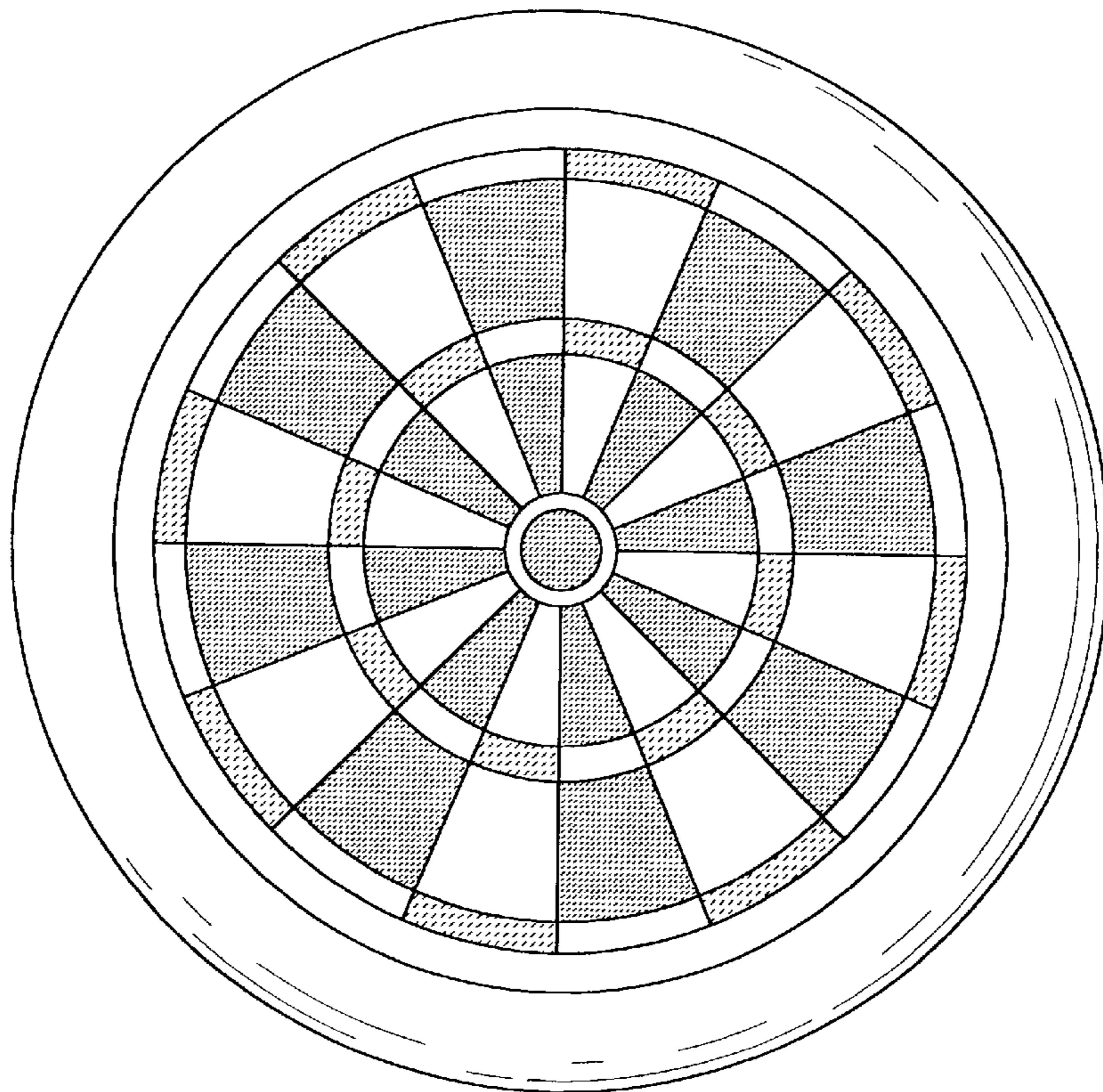


Fig. 2



Fig. 3



Fig. 4

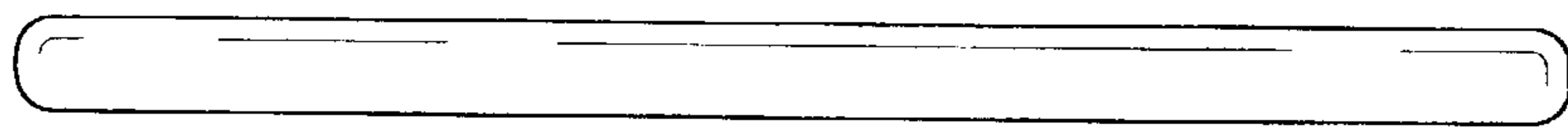


Fig. 5

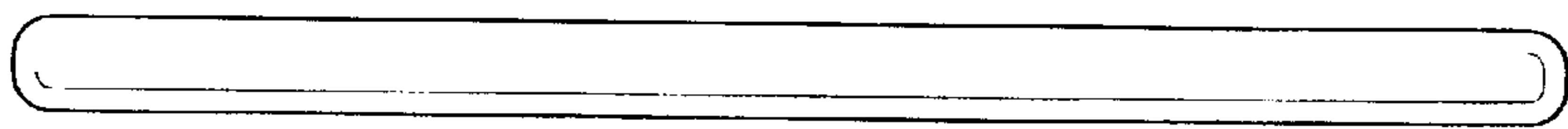


Fig. 6