



US00D398035S

# United States Patent [19]

Rowe

[11] Patent Number: Des. 398,035

[45] Date of Patent: \*\*Sep. 8, 1998

[54] USER PROTECTED AND UNOBSERVED  
TACTICAL ASSAULT RIFLE

3,817,148 6/1974 Schirneker ..... 42/100  
4,878,305 11/1989 Gabrielidis ..... 42/72

[76] Inventor: Charles F. Rowe, P.O. Box 230364,  
Encinitas, Calif. 92023

Primary Examiner—Louis S. Zarfas  
Assistant Examiner—Monica A. Weingart

[\*\*] Term: 14 Years

[57] CLAIM

[21] Appl. No.: 53,728

The ornamental design for a user protected and unobserved tactical assault rifle (UTAR), as shown and described.

[22] Filed: Apr. 29, 1996

### DESCRIPTION

[51] LOC (6) Cl. .... 22-01

[52] U.S. Cl. .... D22/103; D22/100

[58] Field of Search ..... D22/100, 101,  
D22/103, 107, 108, 109, 110, 111, 199;  
D21/145, 146; 42/72, 100, 101

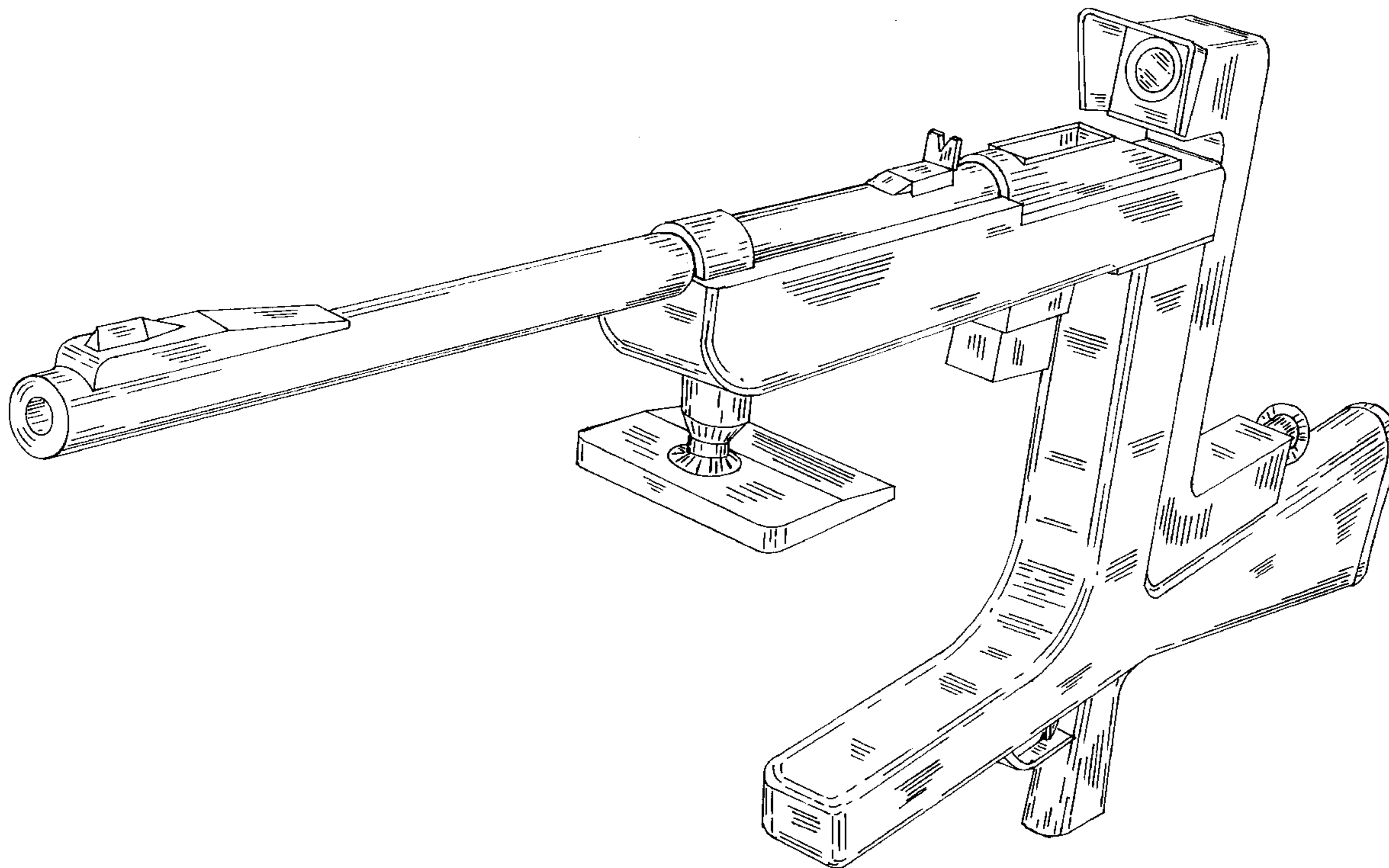
FIG. 1 is a perspective view from the top and left side, showing the barrel, magazine and breach mounted on a raised tower above the stock and trigger mechanism of my new design UTAR;  
FIG. 2 is a view from the left side showing the periscope sight, behind the raised tower, with the eyepiece on the butt, the right side view being identical;  
FIG. 3 is the front elevation thereof;  
FIG. 4 is the rear elevation thereof;  
FIG. 5 is the bottom view of the rifle; and,  
FIG. 6 is the top plan view of the rifle.

### [56] References Cited

#### U.S. PATENT DOCUMENTS

D. 320,835	10/1991	Ferrara, Jr.	.....	D22/103
1,260,285	3/1918	Cordell	.....	42/100
1,300,688	4/1919	Bellard	.....	42/100
2,627,132	2/1953	Dolgacius	.....	42/100

1 Claim, 5 Drawing Sheets



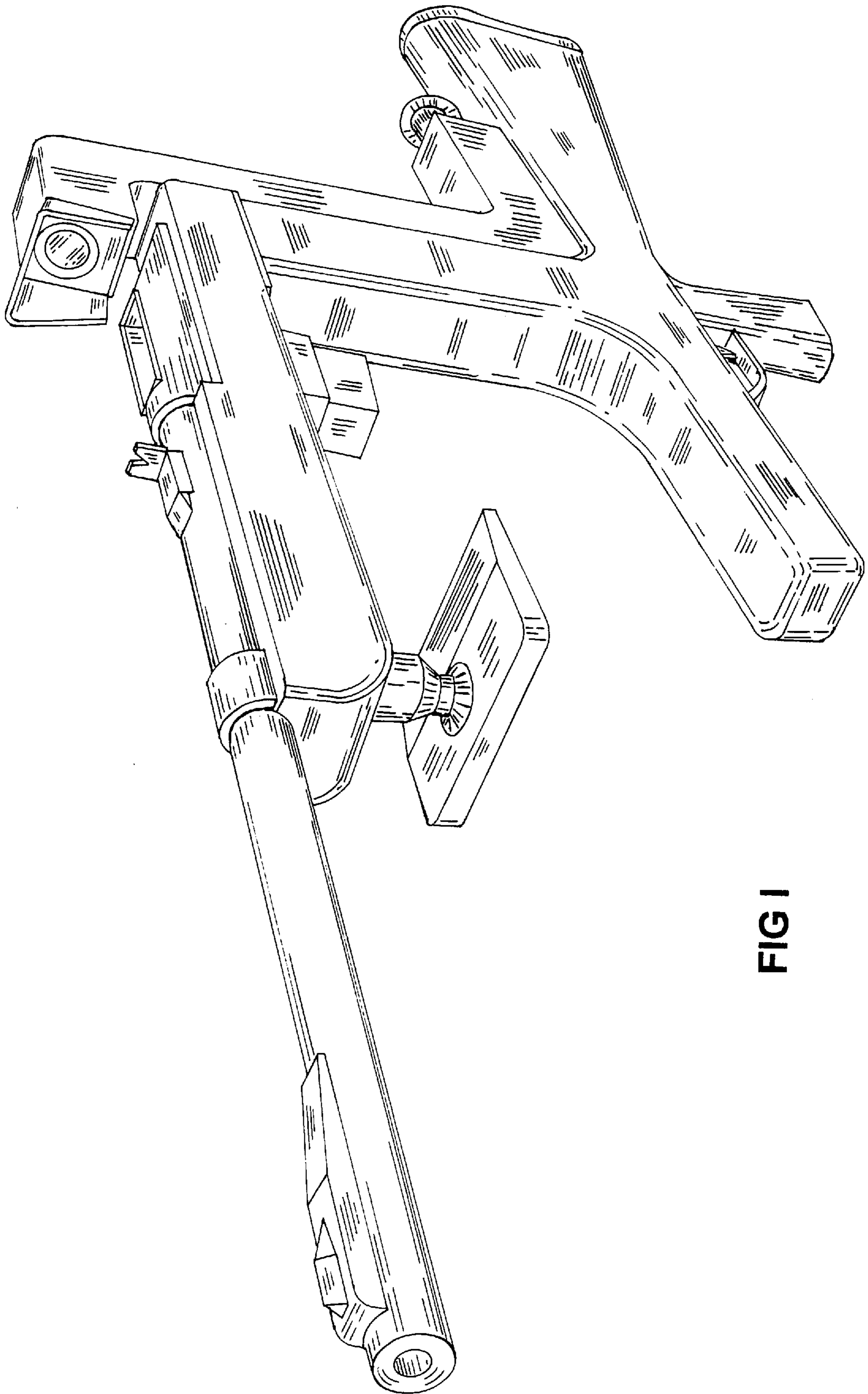


FIG I

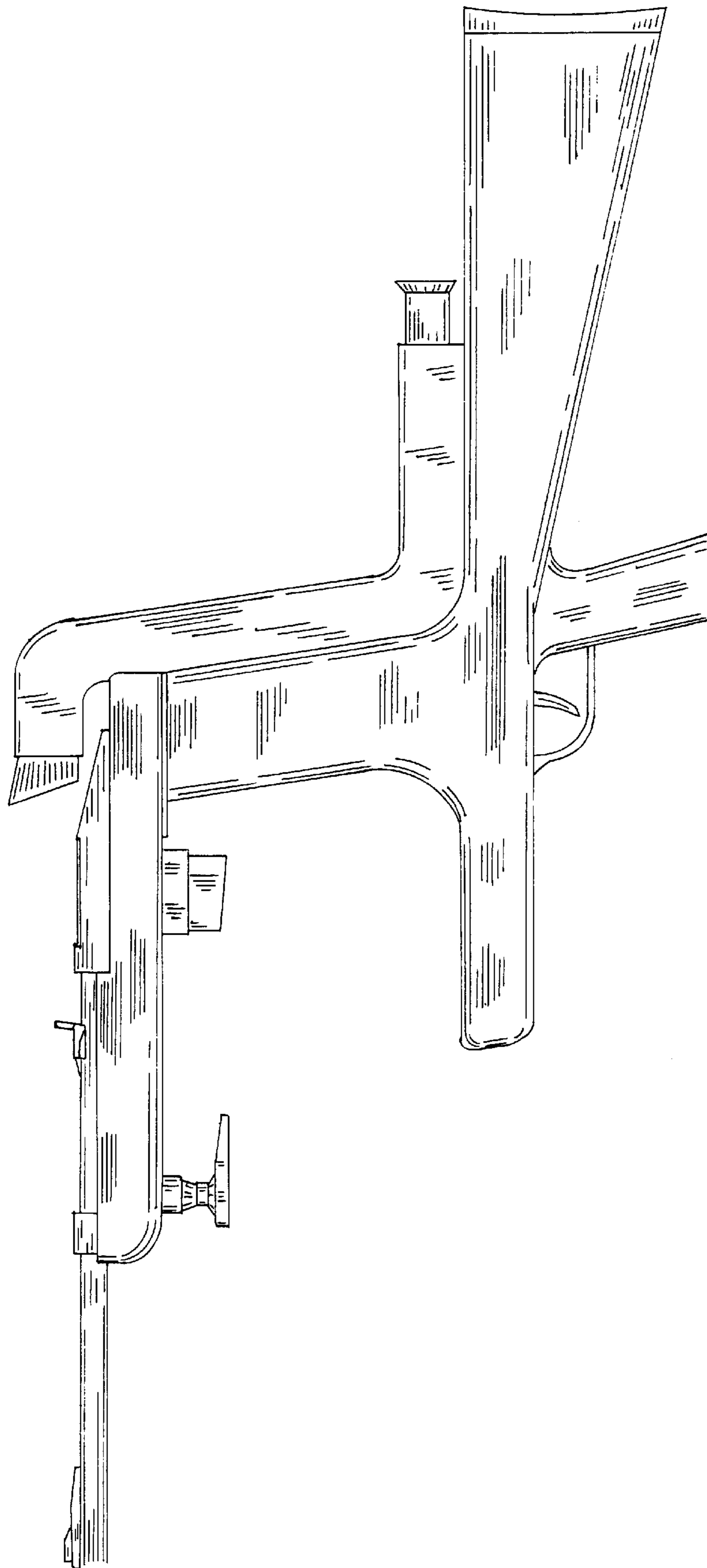


FIG 2

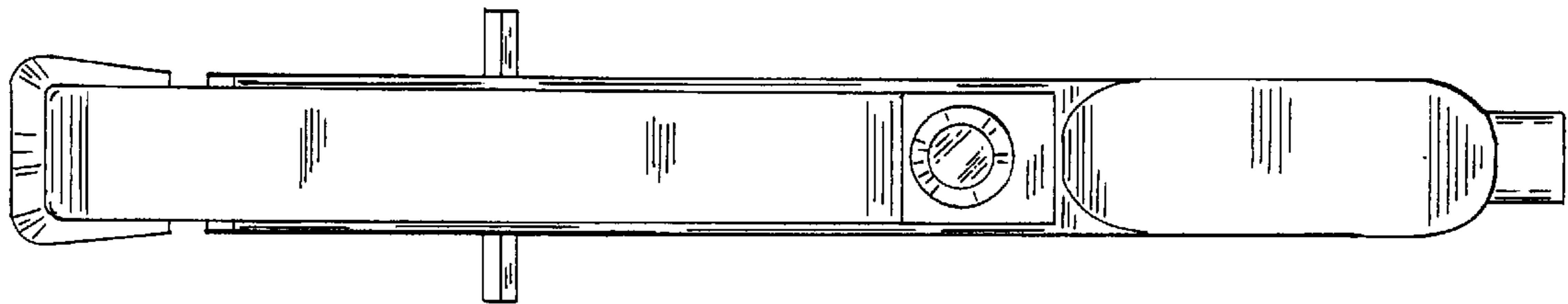


FIG 4

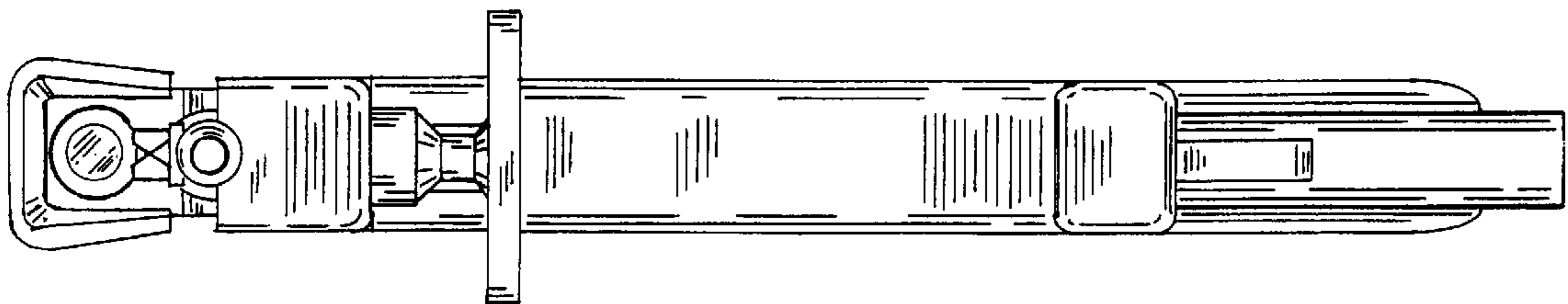


FIG 3

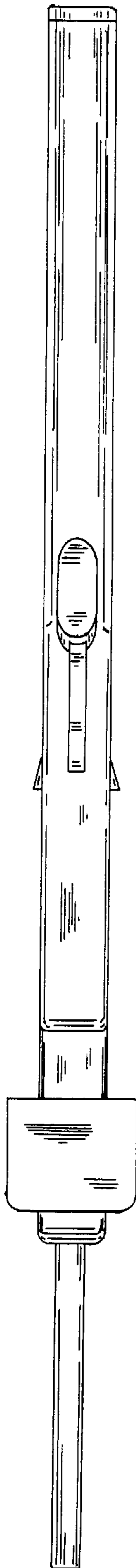


FIG 5

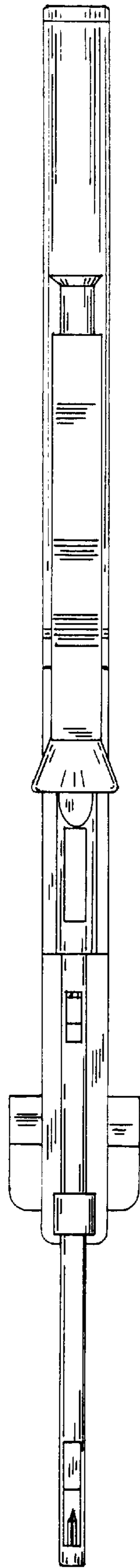


FIG 6