



US00D398032S

United States Patent [19]
Goto

[11] **Patent Number:** **Des. 398,032**
[45] **Date of Patent:** ****Sep. 8, 1998**

[54] **CONTROLLER FOR VIDEO GAME MACHINE**

[75] Inventor: **Teiyu Goto**, Tokyo, Japan

[73] Assignee: **Sony Corporation**, Tokyo, Japan

[**] Term: **14 Years**

[21] Appl. No.: **69,891**

[22] Filed: **Mar. 2, 1997**

Related U.S. Application Data

[63] Continuation-in-part of Ser. No. 42,706, Jun. 16, 1995, Pat. No. Des. 382,603, which is a continuation-in-part of Ser. No. 30,017, Oct. 3, 1994, abandoned.

[30] **Foreign Application Priority Data**

Oct. 11, 1996 [JP] Japan 8-30240

[51] **LOC (6) Cl.** **21-01**

[52] **U.S. Cl.** **D21/48**

[58] **Field of Search** D21/1, 13, 48;
273/148 B; 463/1, 30-47; D14/217, 114

[56] **References Cited**

U.S. PATENT DOCUMENTS

- D. 317,021 5/1991 Shulman et al. .
- D. 325,225 4/1992 Adhida .
- D. 342,550 12/1993 Lin .
- D. 345,164 3/1994 Grae .
- D. 345,994 4/1994 Shian .
- D. 349,527 8/1994 Date .
- D. 352,970 11/1994 Ho .
- D. 353,410 12/1994 Chan .
- D. 354,993 1/1995 Morrison et al. .
- D. 355,450 2/1995 Ho .
- D. 356,606 3/1995 Feng .

- D. 357,286 4/1995 Feng .
- D. 360,436 7/1995 Chan .
- D. 360,903 8/1995 Barr et al. .
- D. 362,277 9/1995 Chan .
- D. 363,320 10/1995 Barthelemy et al. D21/48
- D. 363,321 10/1995 Hsien .
- D. 368,285 3/1996 Couch et al. .
- D. 368,936 4/1996 Goto .
- D. 375,326 11/1996 Yokoi et al. D21/48
- D. 376,826 12/1996 Ashida D21/48
- D. 380,783 7/1997 Tyler .
- 4,870,389 9/1989 Ishikawa et al. .
- 5,184,830 2/1993 Okada et al. .
- 5,203,563 4/1993 Loper, III 273/148 B
- 5,207,426 5/1993 Inoue et al. .
- 5,498,843 3/1996 Date et al. .

OTHER PUBLICATIONS

HongKong Enterprise, Oct. 1992, p. 269.
HongKong Enterprise, Oct. 1992, p. 363.
Playthings, Sep. 1988, p. 49.

Primary Examiner—Prabhakar G. Deshmukh
Attorney, Agent, or Firm—Foley & Lardner

[57] **CLAIM**

The ornamental design for a controller for a video game machine, as shown and described.

DESCRIPTION

FIG. 1 is a perspective view of a controller for a video game machine showing my new design;
FIG. 2 is a top plan view thereof;
FIG. 3 is a left side elevational view thereof, a right side elevational view thereof being a mirror image;
FIG. 4 is a front elevational view thereof;
FIG. 5 is a bottom plan view thereof; and,
FIG. 6 is a rear elevational view thereof.

1 Claim, 3 Drawing Sheets

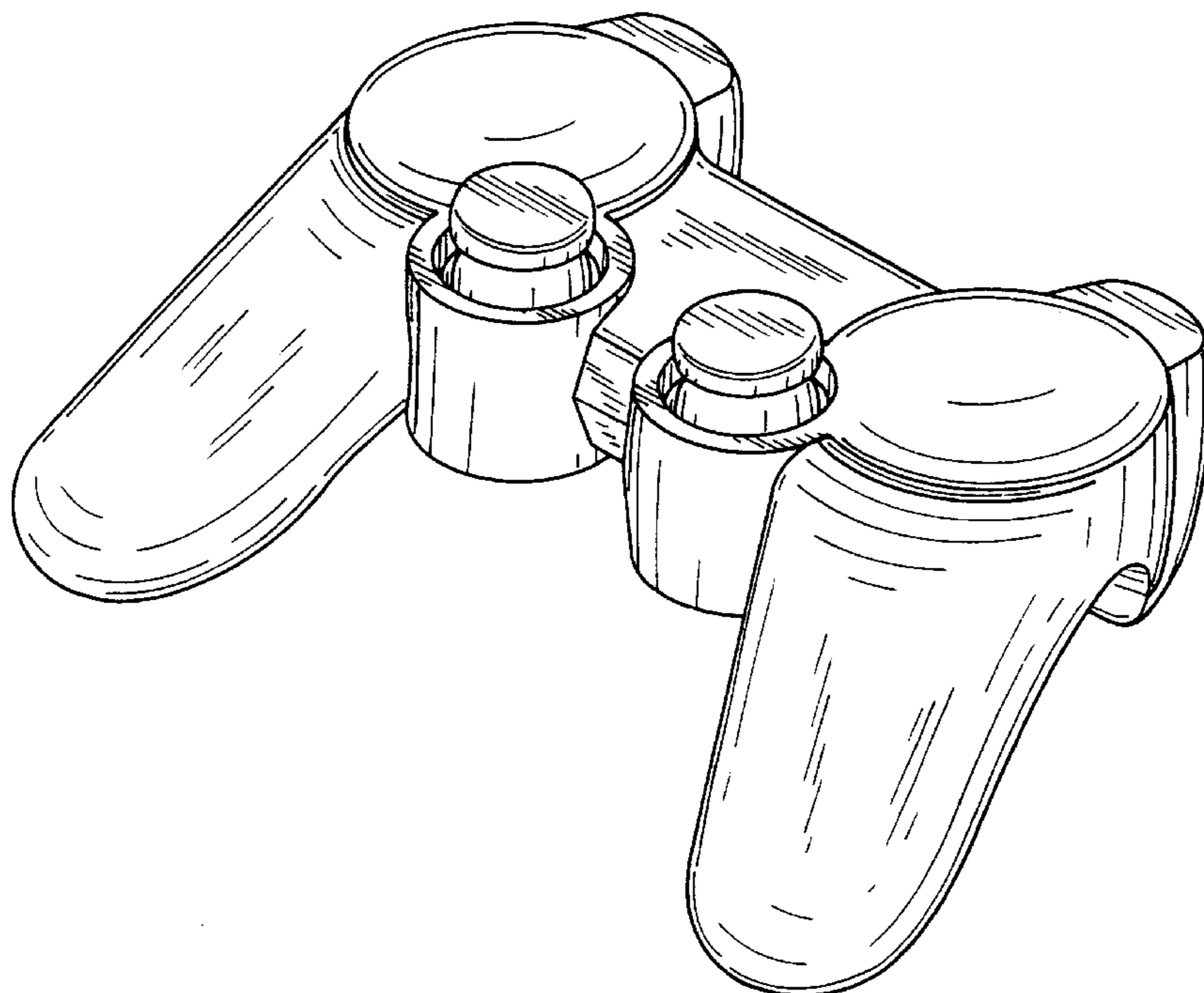


FIG. 1

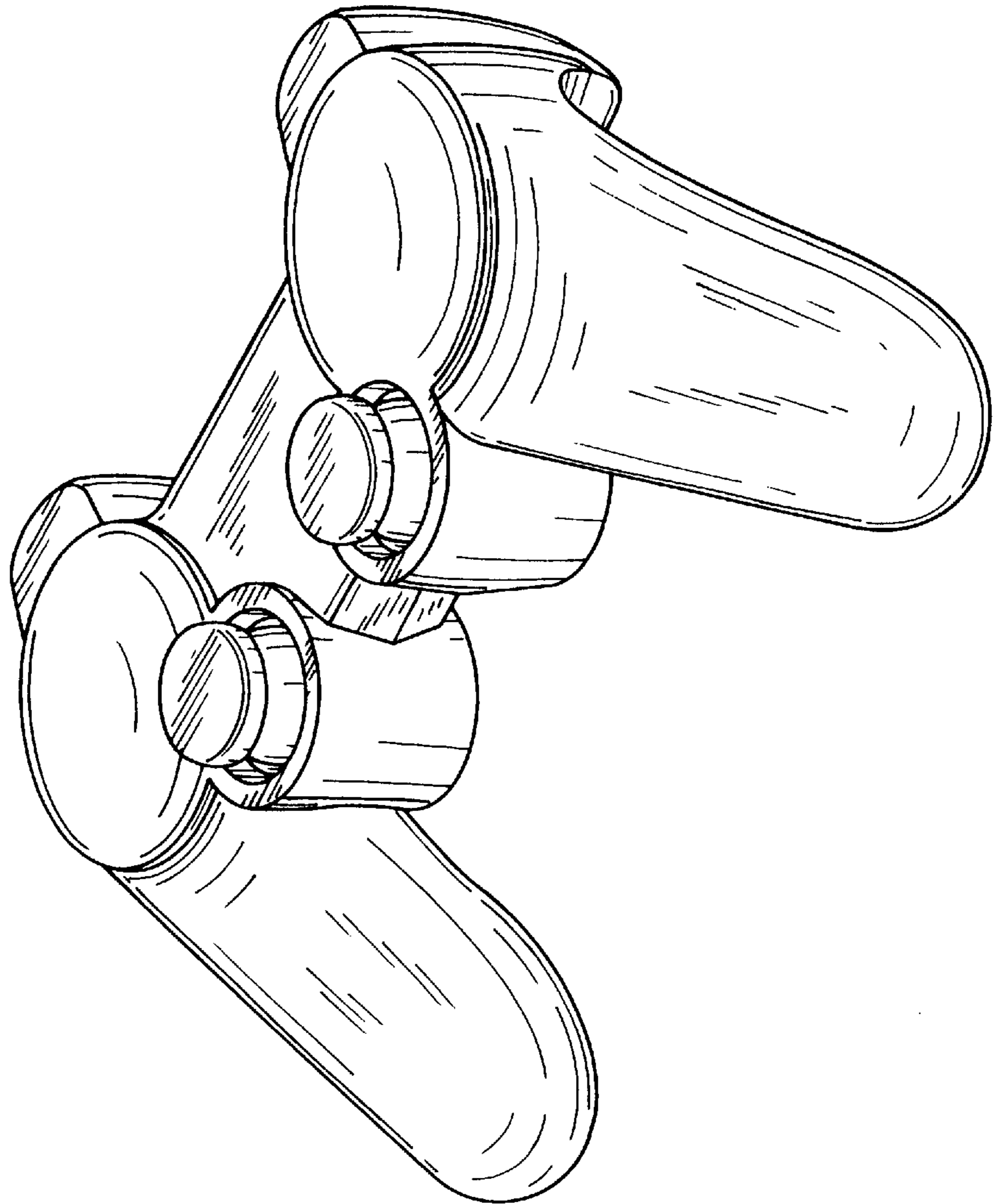


FIG. 2

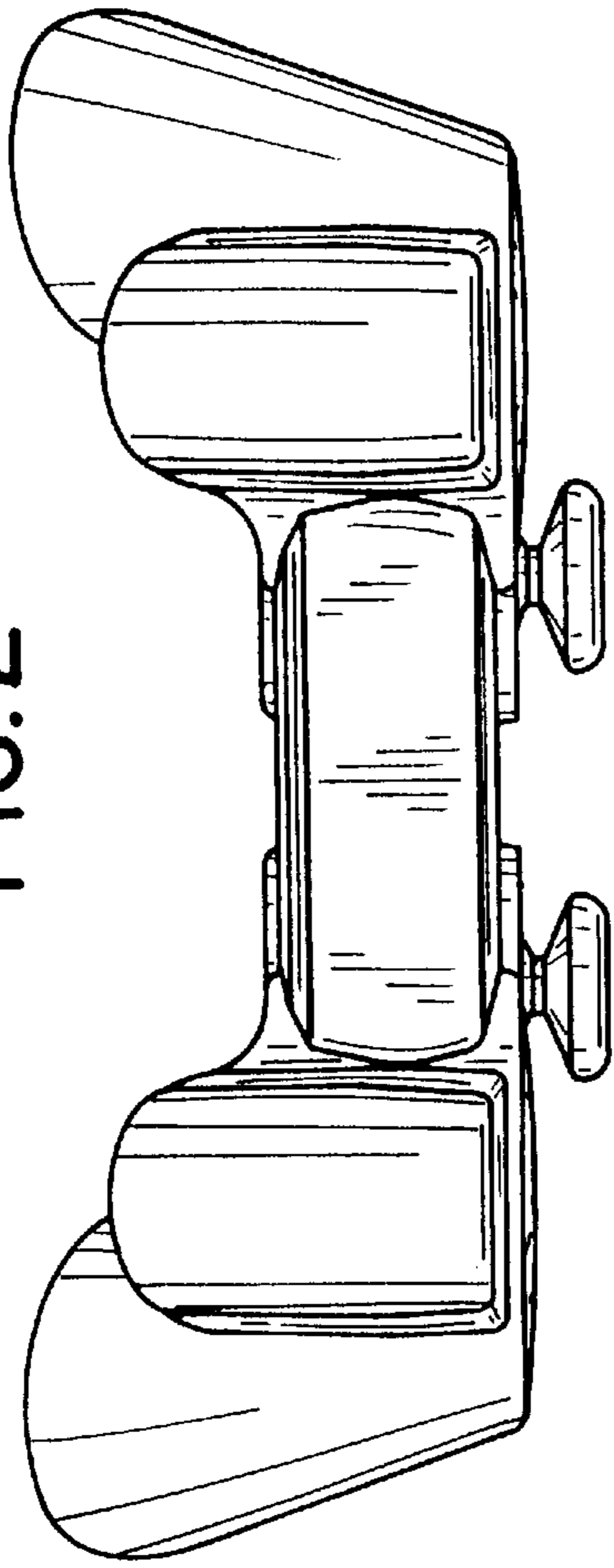


FIG. 4

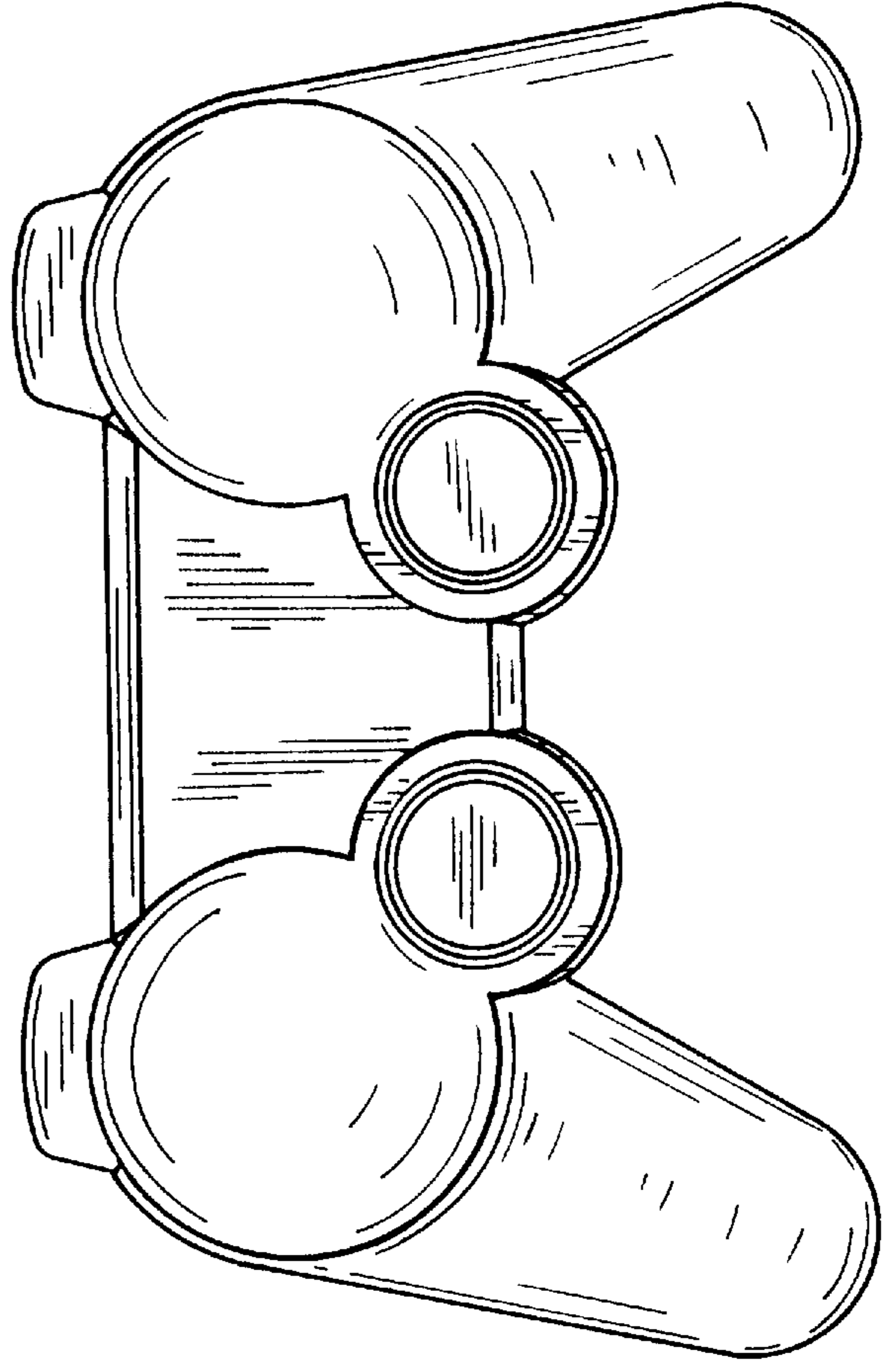


FIG. 3

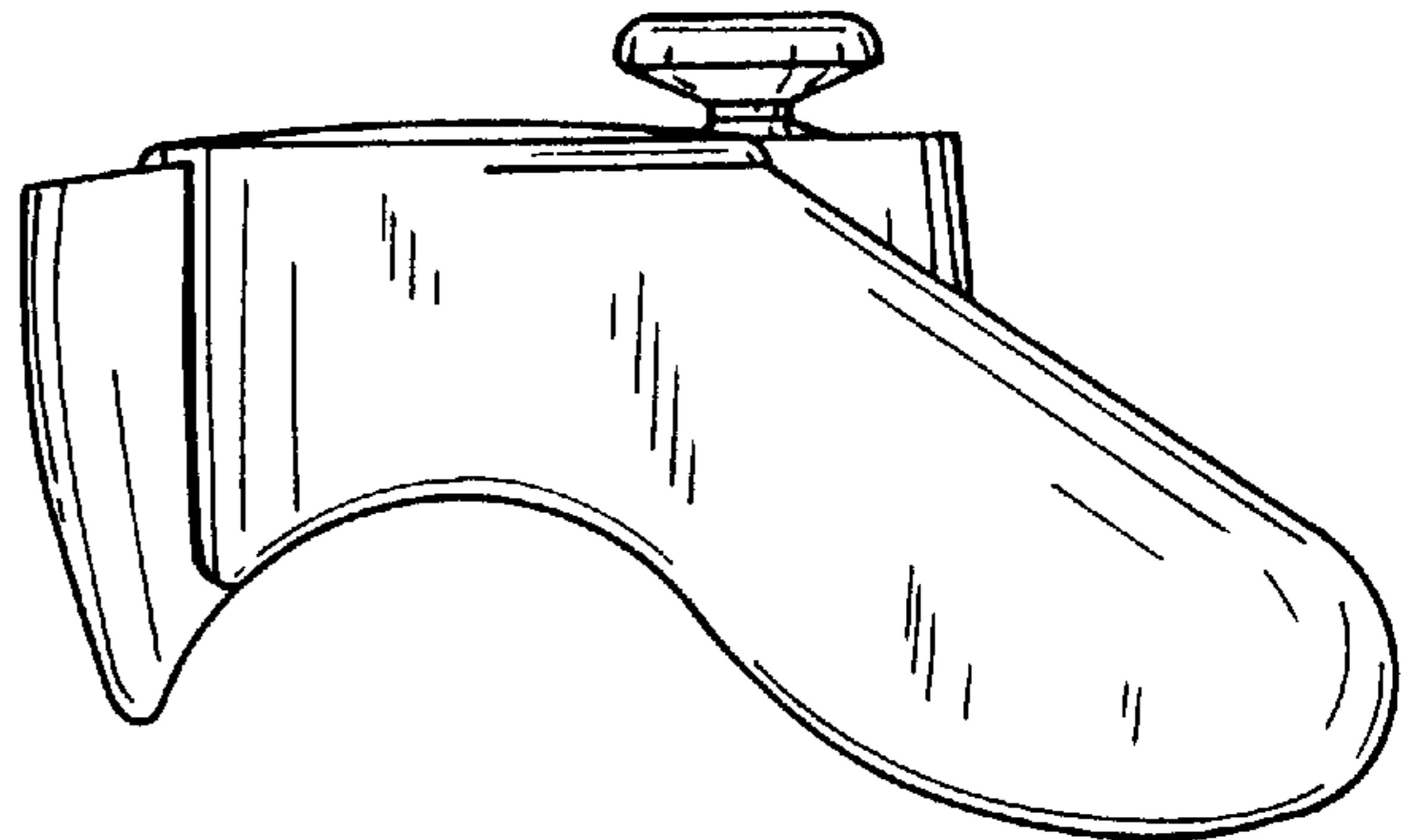


FIG.6

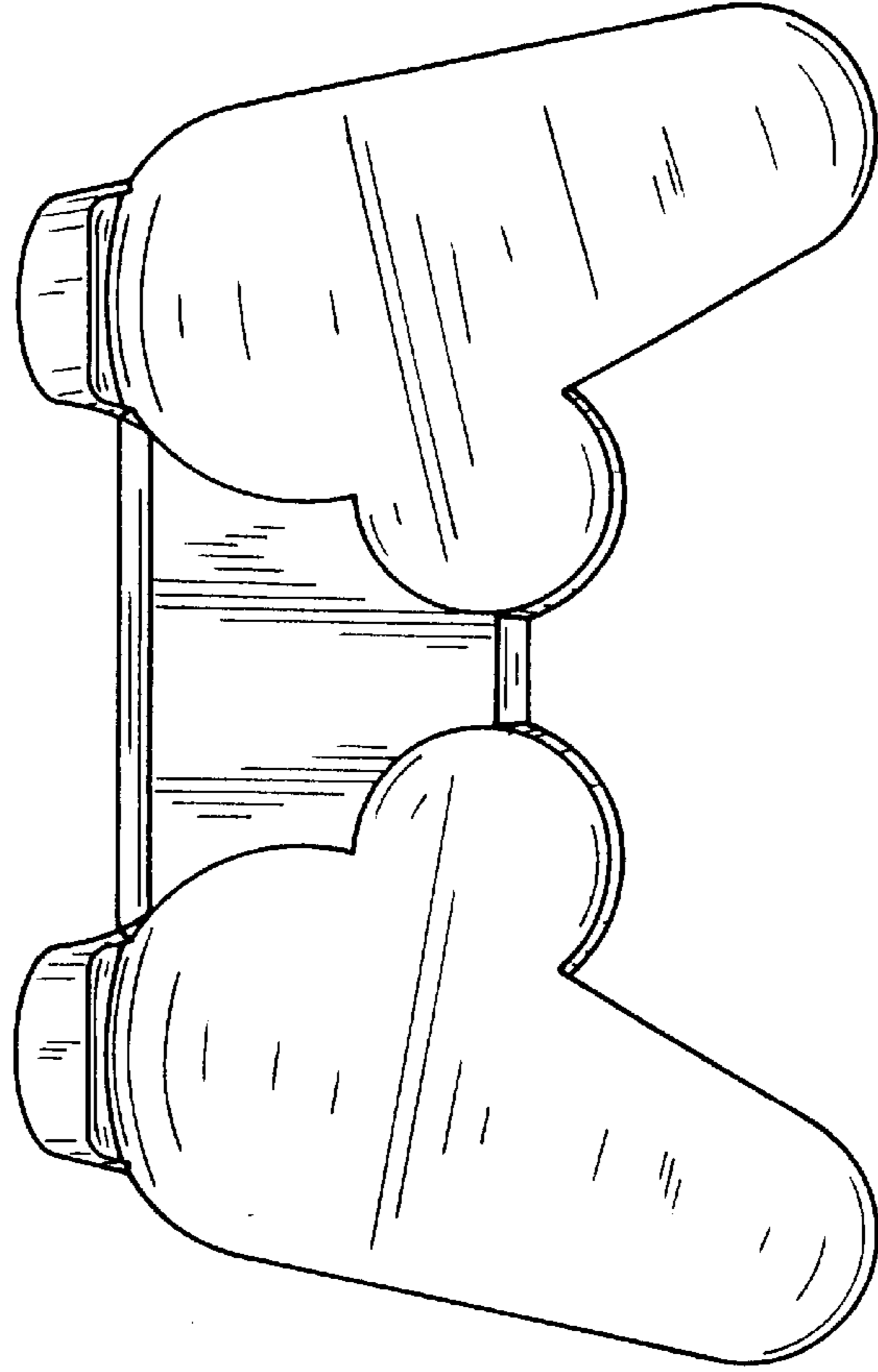


FIG.5

