



US00D398023S

United States Patent [19]
Okada

[11] **Patent Number: Des. 398,023**

[45] **Date of Patent: **Sep. 8, 1998**

[54] **TONER CARTRIDGE**

D. 361,341 8/1995 Komaki et al. D18/40 X
D. 366,278 1/1996 Nagashima D18/43

[75] Inventor: **Mitsuharu Okada**, Osaka, Japan

[73] Assignee: **Mita Industrial Co., Ltd.**, Osaka, Japan

Primary Examiner—Caron D. Veynar
Attorney, Agent, or Firm—Spencer & Frank

[**] Term: **14 Years**

[57] **CLAIM**

[21] Appl. No.: **62,901**

The ornamental design for a toner cartridge, as shown.

[22] Filed: **Dec. 2, 1996**

DESCRIPTION

[30] **Foreign Application Priority Data**

May 31, 1996 [JP] Japan 8-16115

FIG. 1 is a front view of a toner cartridge;

[51] **LOC (6) Cl.** **16-03**

FIG. 2 is a back view of a toner cartridge;

[52] **U.S. Cl.** **D18/43**

FIG. 3 is a left side view of a toner cartridge;

[58] **Field of Search** D18/36, 40, 43,
D18/56; 399/24, 25, 27, 28, 61, 99, 106,
262

FIG. 4 is a right side view of a toner cartridge;

FIG. 5 is a top view of a toner cartridge;

FIG. 6 is a bottom view of a toner cartridge; and,

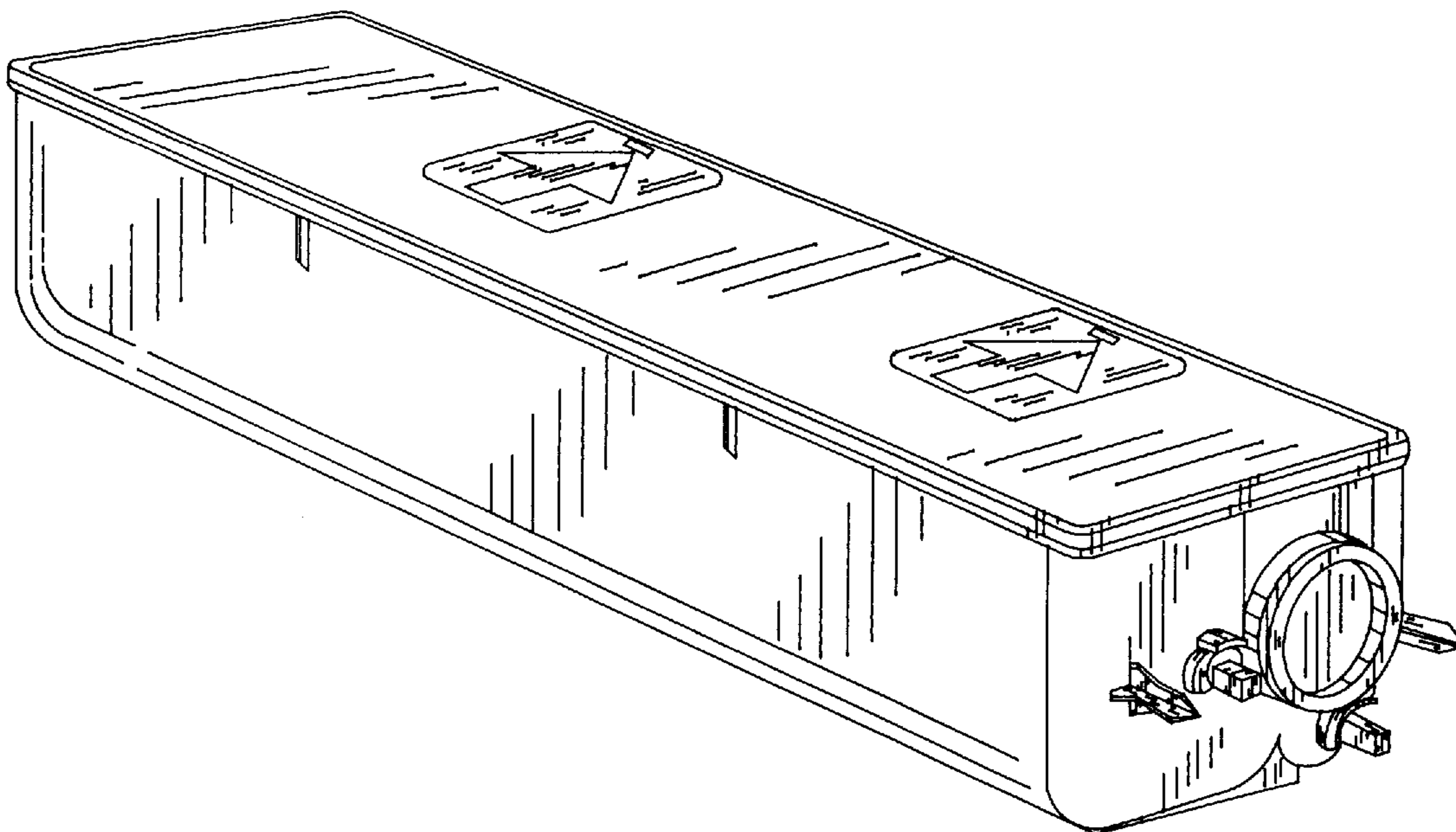
FIG. 7 is a perspective view of a toner cartridge.

[56] **References Cited**

U.S. PATENT DOCUMENTS

D. 331,773 12/1992 Shibata D18/43

1 Claim, 3 Drawing Sheets



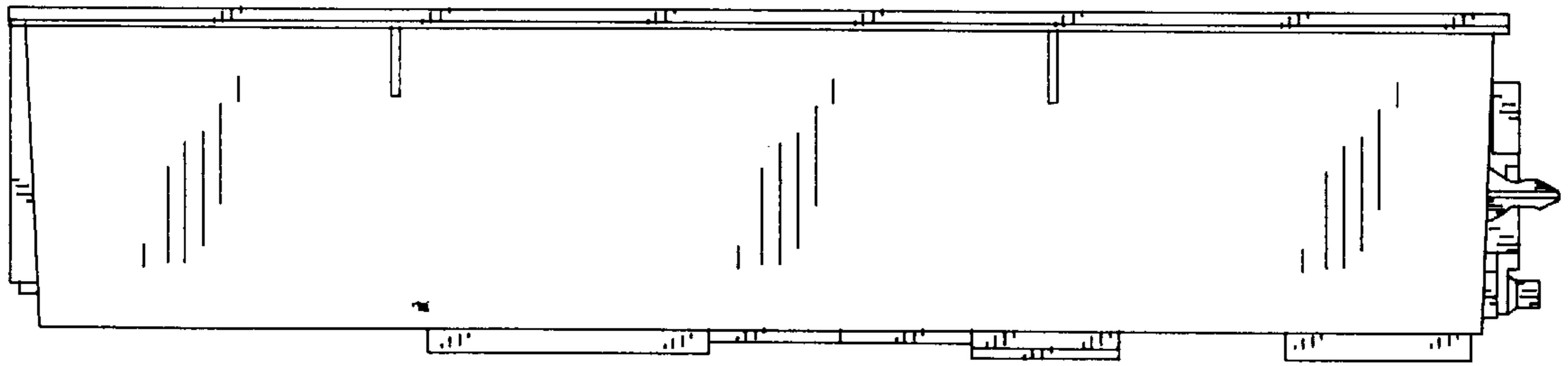


FIG. 1

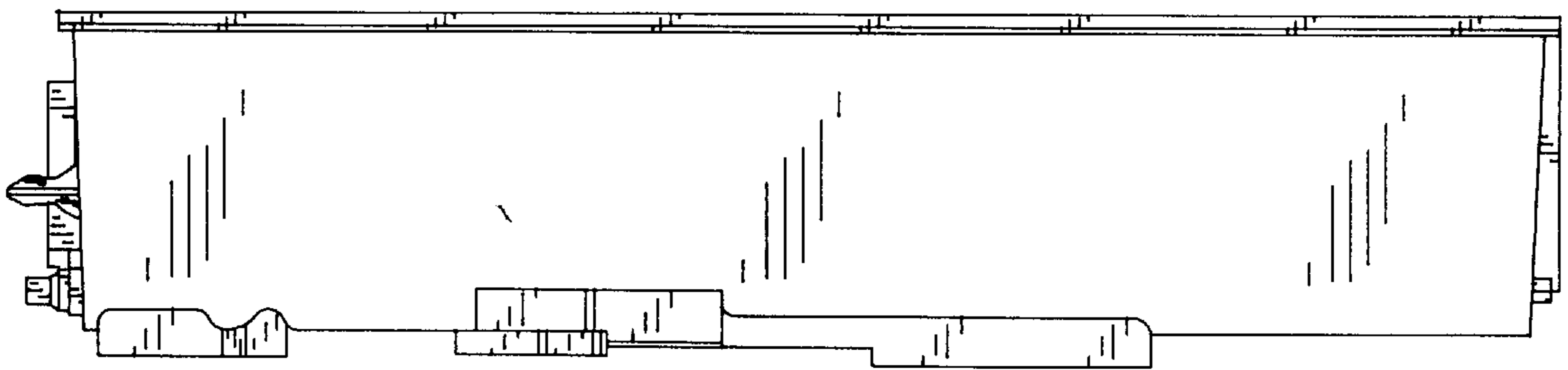


FIG. 2

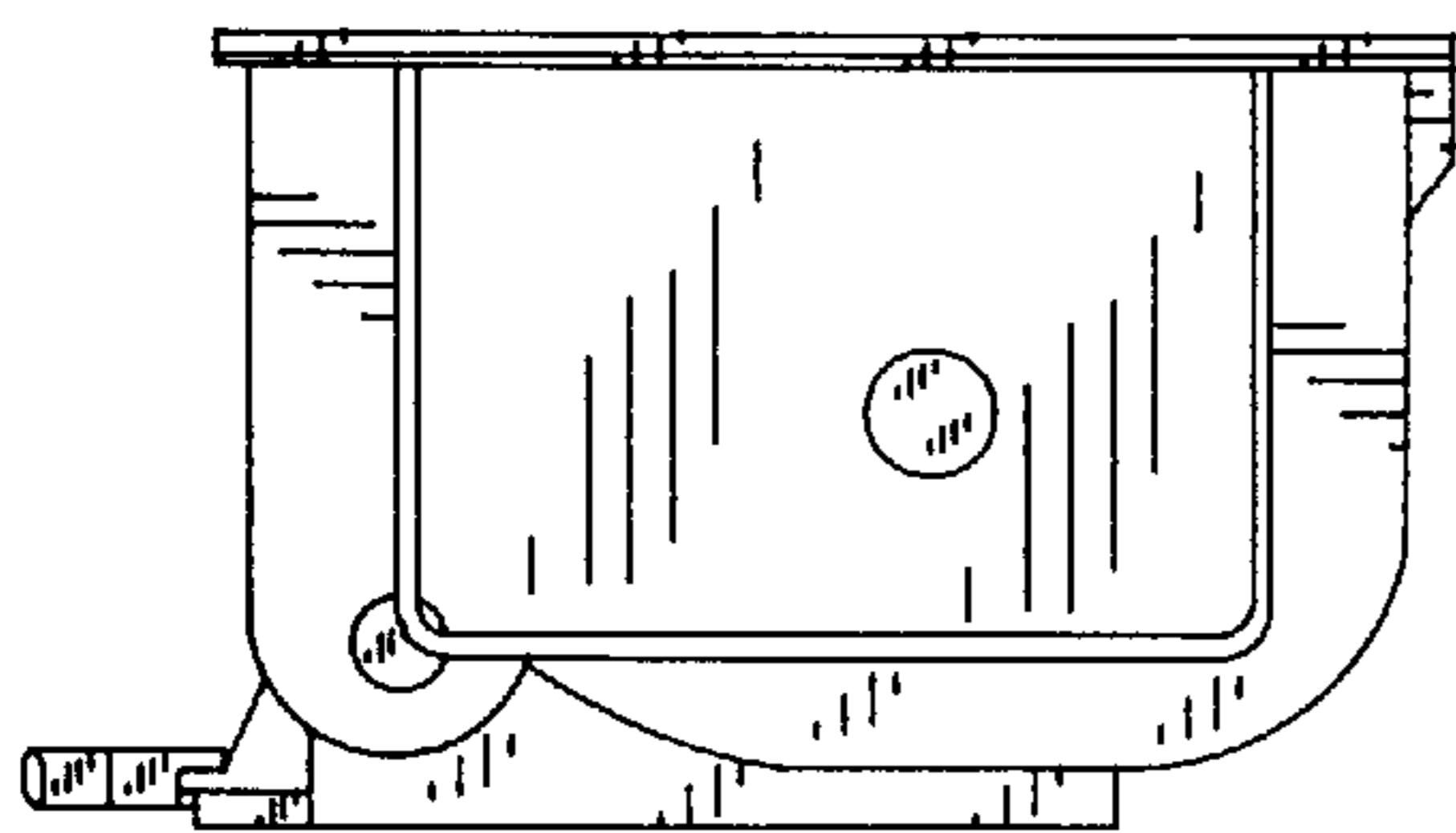


FIG. 3

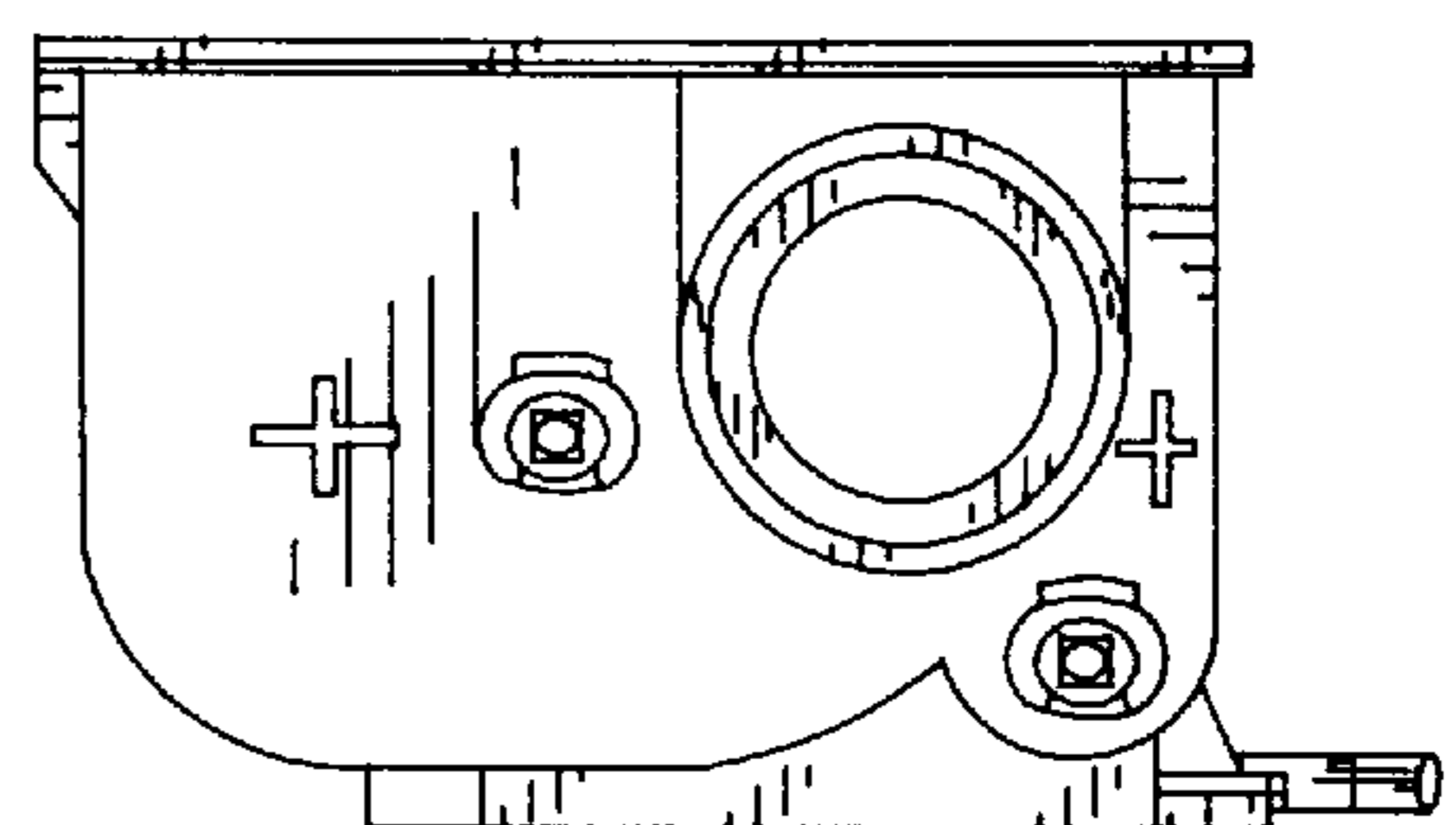


FIG. 4

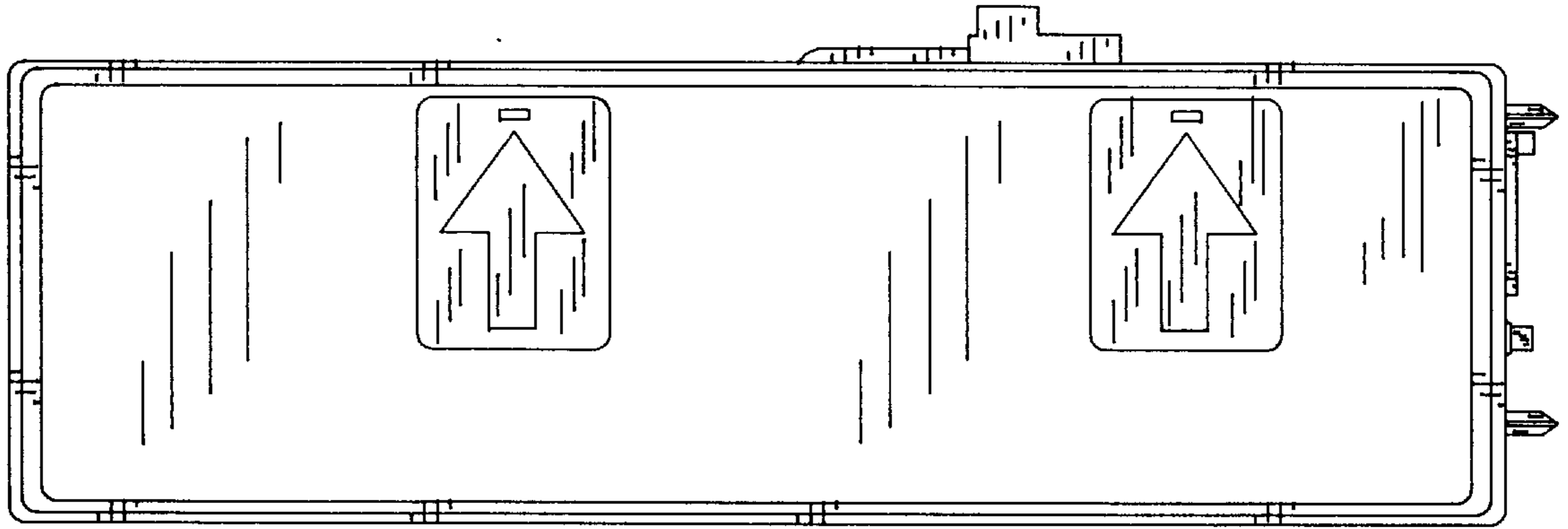


FIG. 5

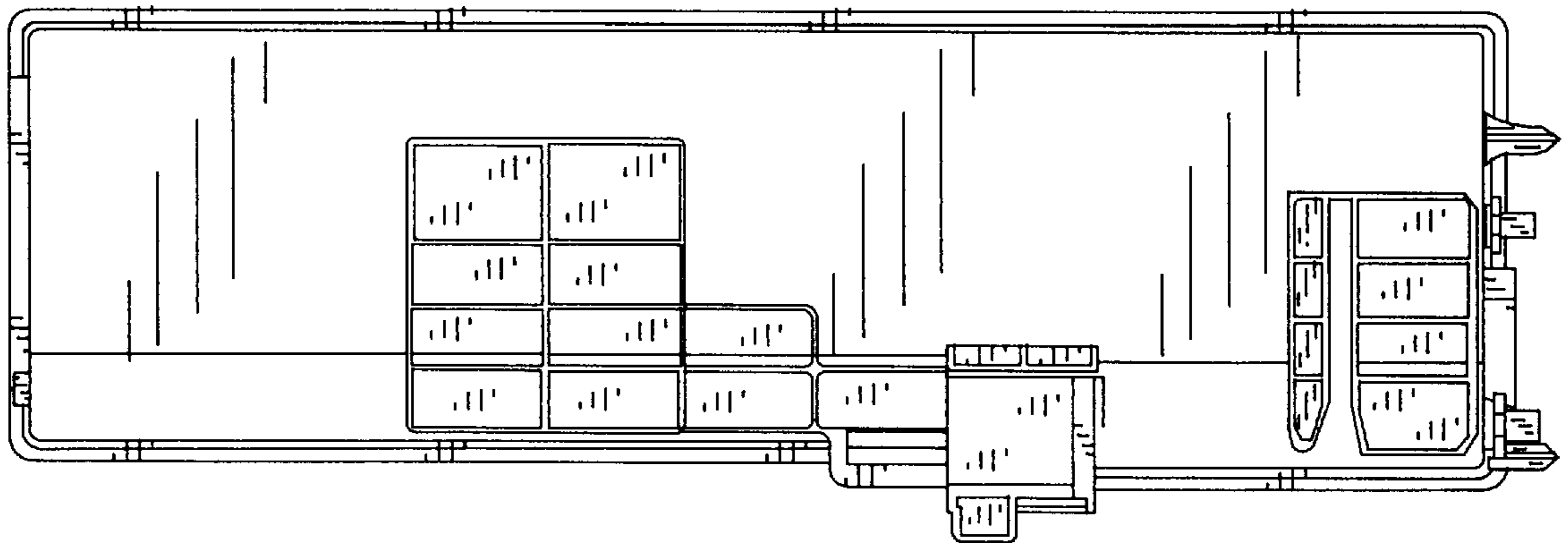


FIG. 6

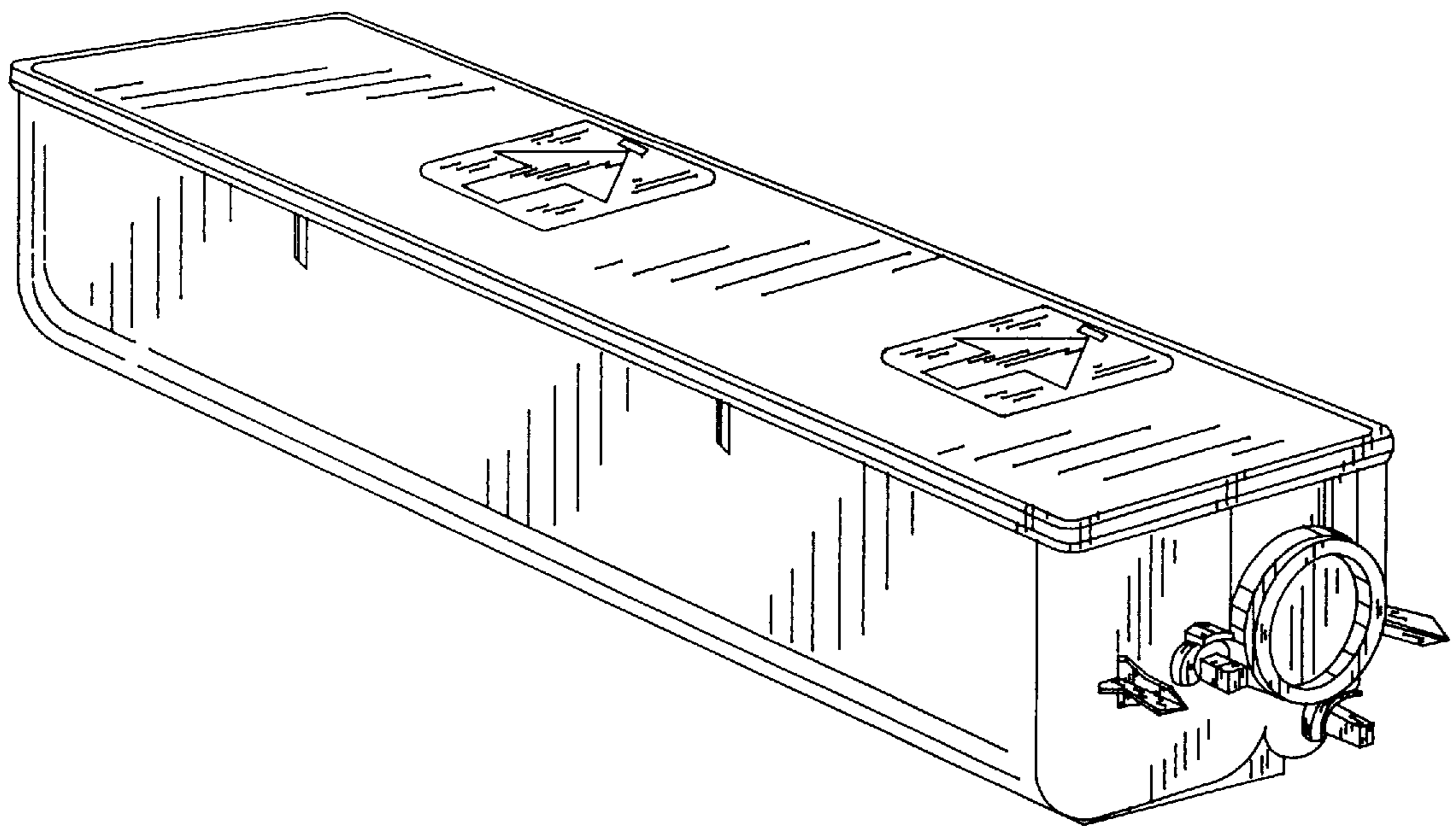


FIG. 7