



US00D398019S

United States Patent [19]
Uehara

[11] **Patent Number: Des. 398,019**
[45] **Date of Patent: **Sep. 8, 1998**

[54] **VIDEO PROJECTOR**

3,269,793 8/1966 White, Jr. D16/230

[75] Inventor: **Mitsuhiro Uehara**, Tokyo, Japan

OTHER PUBLICATIONS

Sharp Catalog, p. 7 (T2Z projector), Aug. 1993.

[73] Assignee: **Sony Corporation**, Tokyo, Japan

Primary Examiner—Sandra L. Morris
Assistant Examiner—Adir Aronovich
Attorney, Agent, or Firm—Foley & Lardner

[**] Term: **14 Years**

[21] Appl. No.: **53,513**

[57] **CLAIM**

[22] Filed: **May 10, 1996**

The ornamental design for a video projector, as shown and described.

[51] **LOC (6) Cl.** **16-02**

[52] **U.S. Cl.** **D16/231; D16/234**

[58] **Field of Search** D16/200–205,
D16/208, 213, 221, 225, 230, 231, 234;
352/34, 242, 243; 353/115, 119, 122

DESCRIPTION

FIG. 1 is a top, front perspective view of a video projector showing my new design;
FIG. 2 is a top plan view thereof;
FIG. 3 is a left side elevational view thereof;
FIG. 4 is a front elevational view thereof;
FIG. 5 is a bottom plan view thereof;
FIG. 6 is a right side elevational view thereof; and,
FIG. 7 is a rear elevational view thereof.

[56] **References Cited**

U.S. PATENT DOCUMENTS

- D. 211,211 5/1968 Steinbach D16/234
- D. 227,505 6/1973 Frey D16/234
- D. 365,587 12/1995 Saeki et al. D16/234
- D. 371,148 6/1996 Kobayashi D16/221

1 Claim, 3 Drawing Sheets

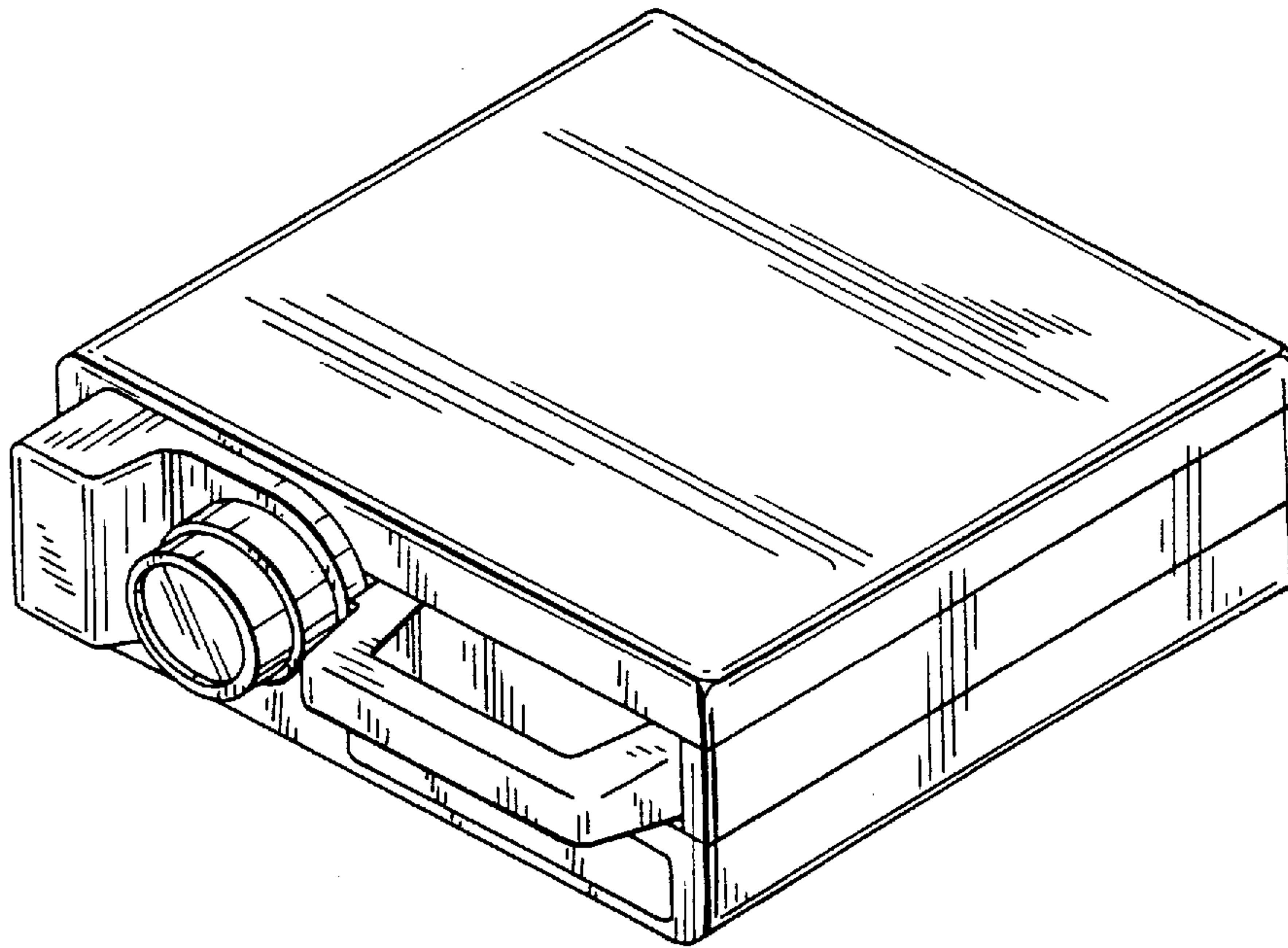


FIG. 1

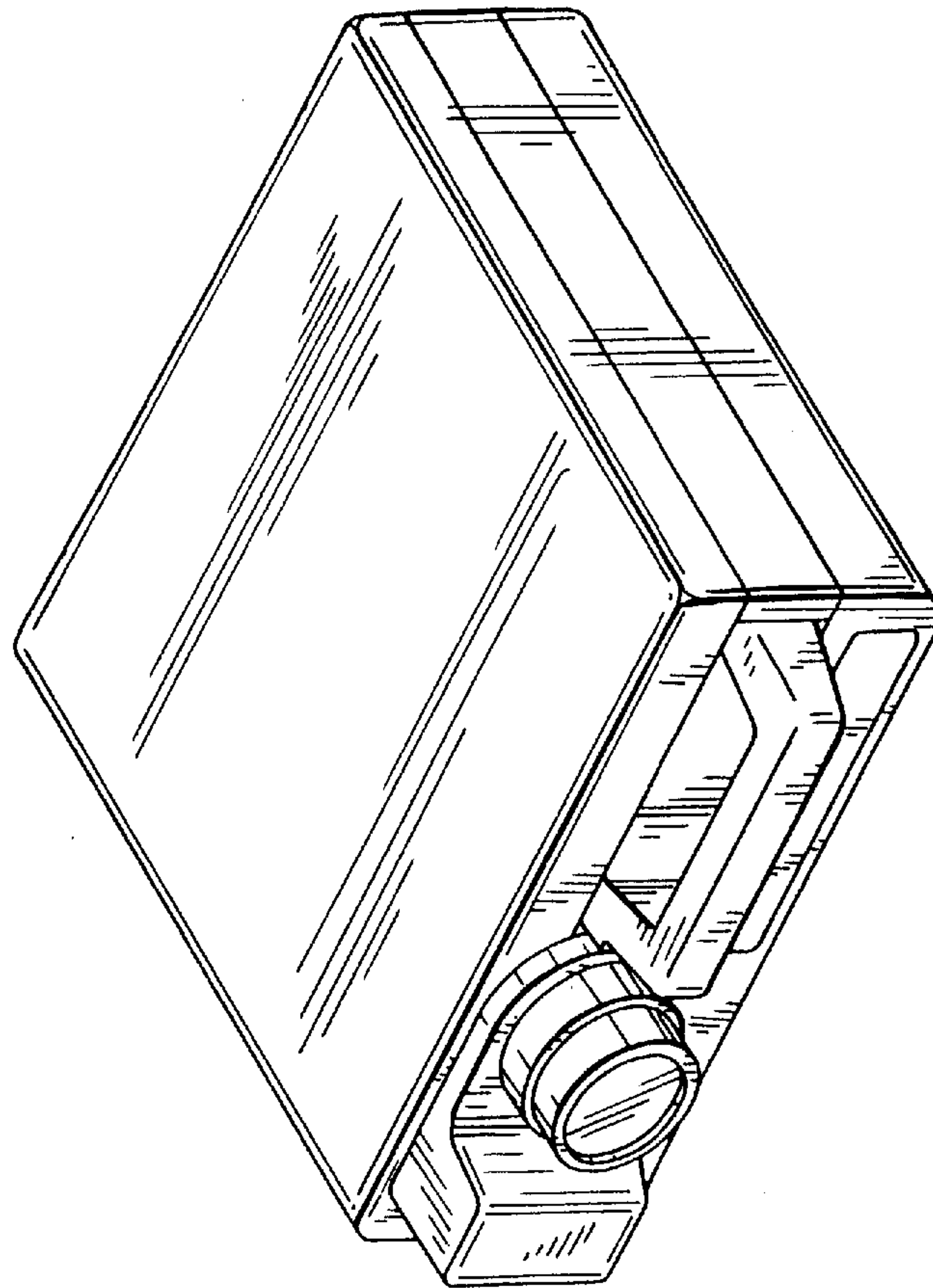


FIG. 2

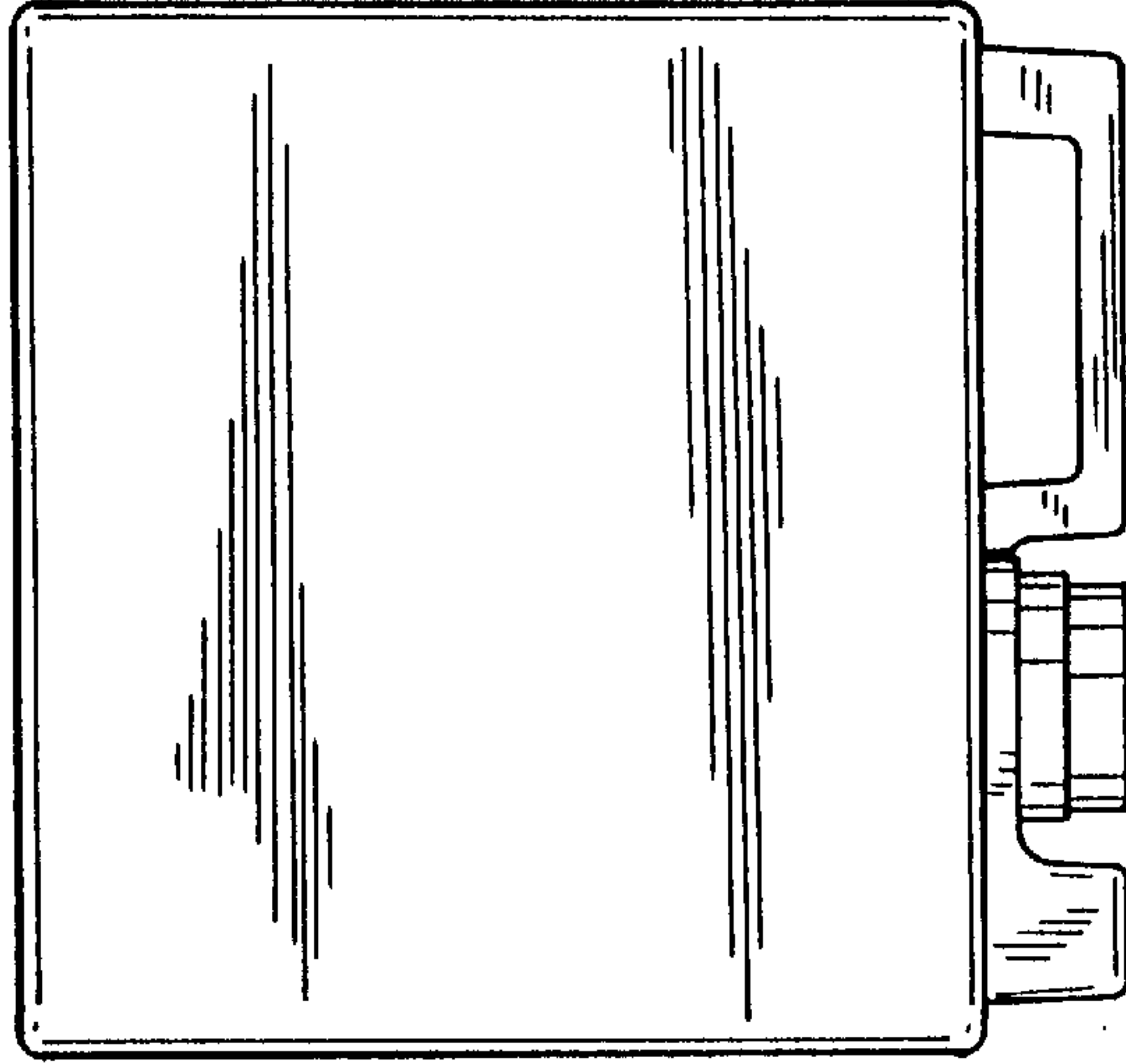


FIG. 3

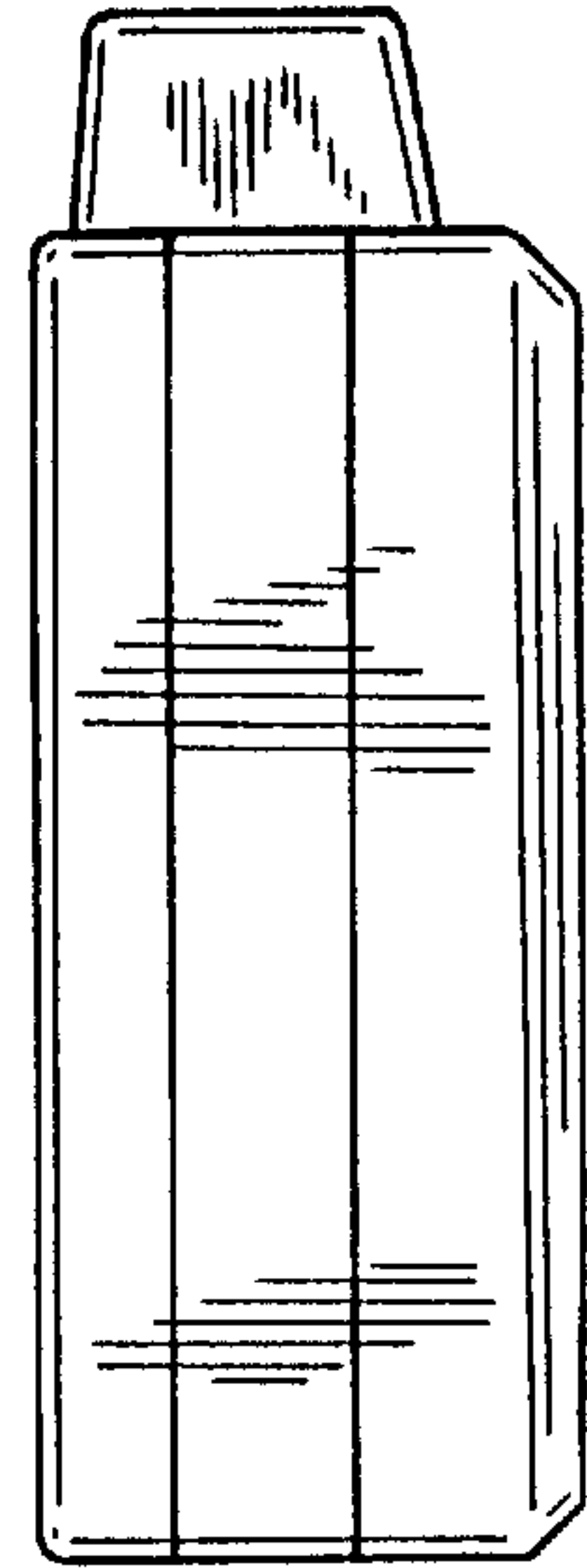


FIG. 4

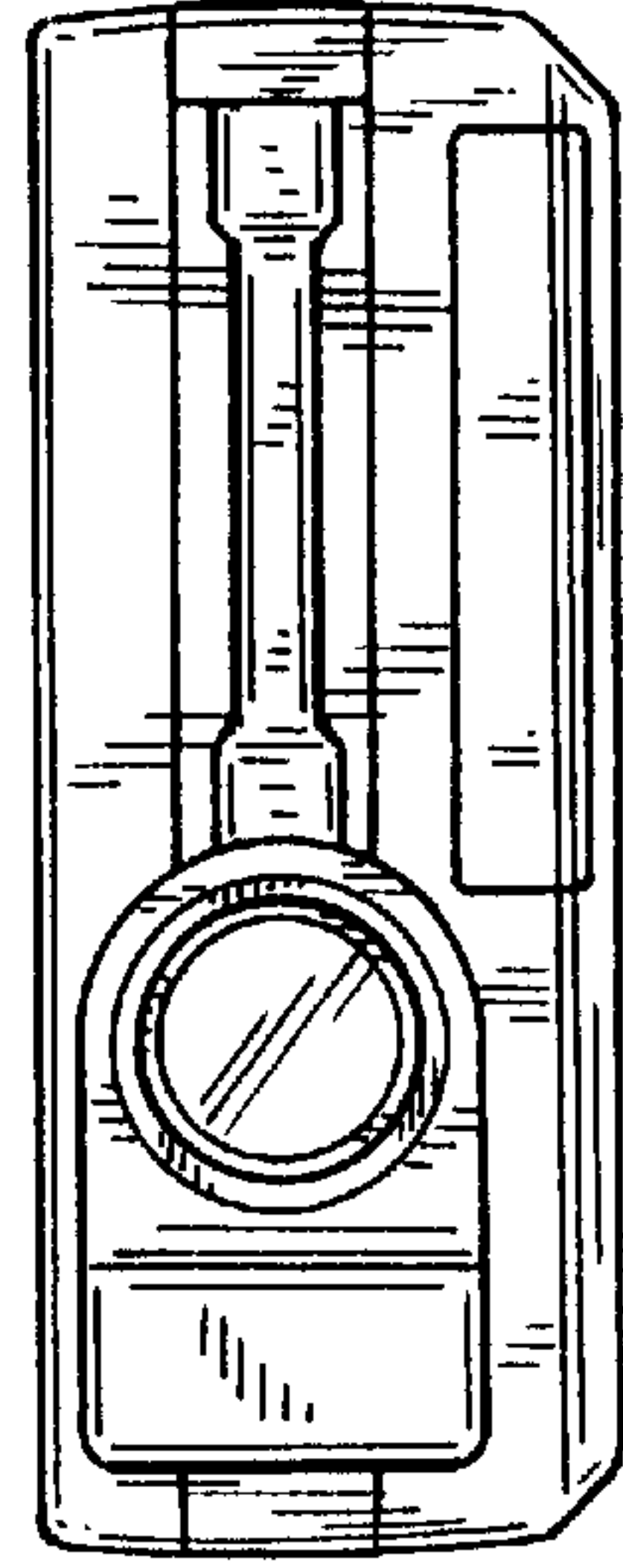


FIG. 5

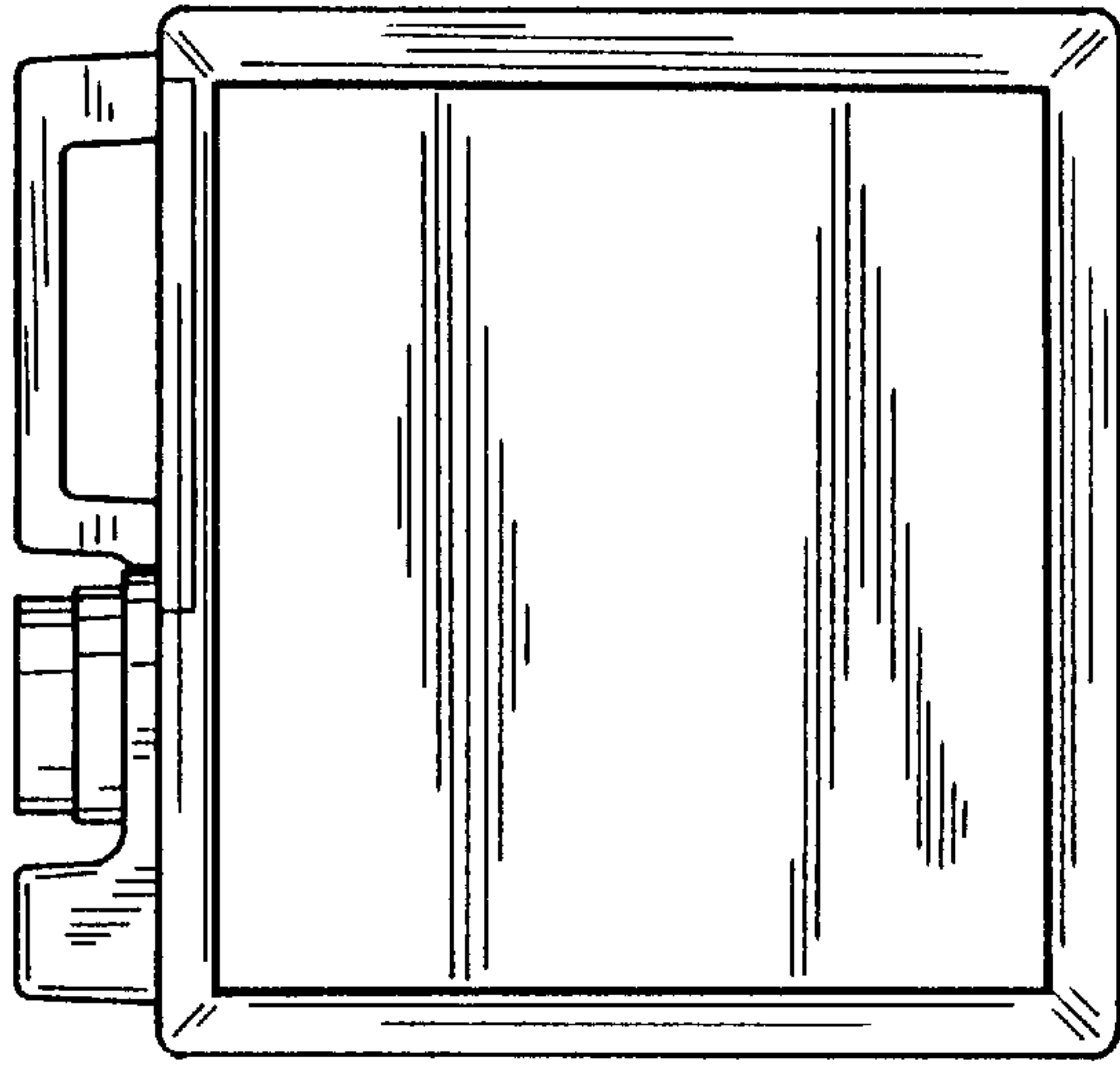


FIG. 7

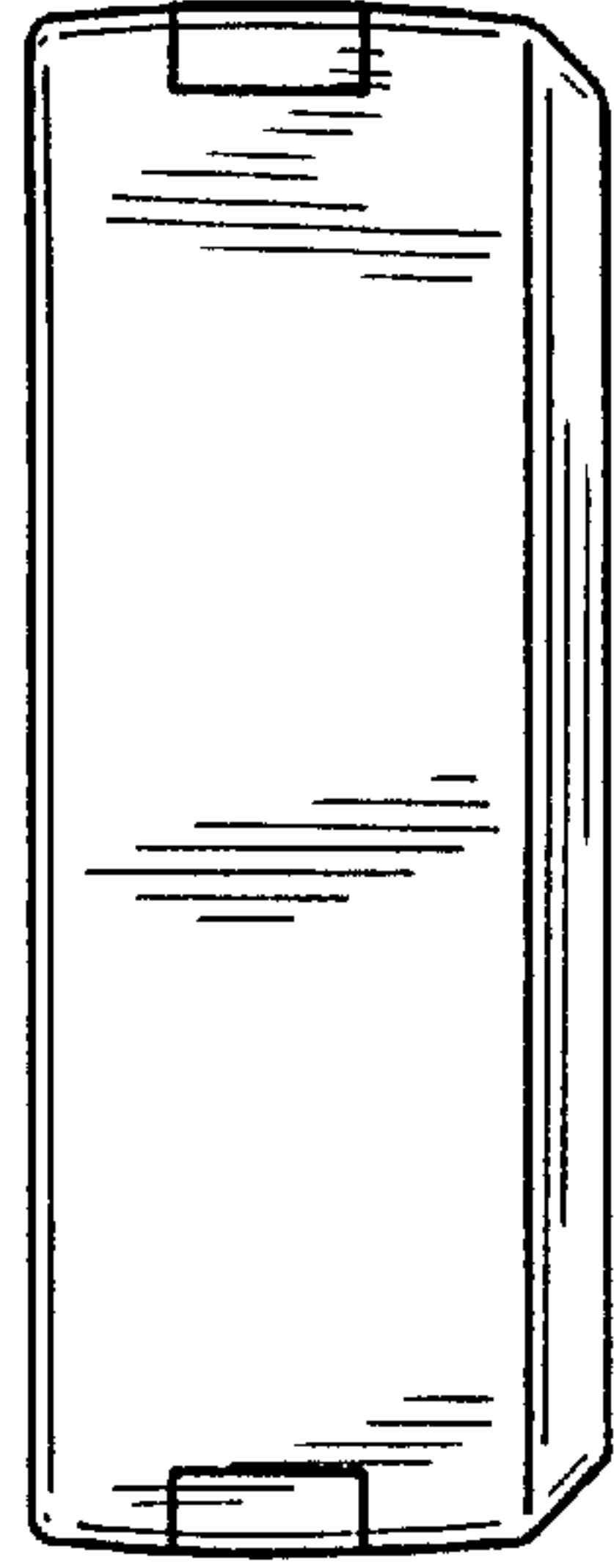


FIG. 6

