



US00D398016S

**United States Patent** [19]  
**Neef**

[11] **Patent Number: Des. 398,016**

[45] **Date of Patent: \*\*Sep. 8, 1998**

[54] **SOLDERING STATION**

[75] Inventor: **Werner Neef**, Stuttgart, Germany

[73] Assignee: **Cooper Tools GmbH**, Besigheim, Germany

[\*\*] Term: **14 Years**

[21] Appl. No.: **73,470**

[22] Filed: **Jul. 9, 1997**

[30] **Foreign Application Priority Data**

Jan. 28, 1997 [DE] Germany ..... M 97 00 951.2

[51] **LOC (6) Cl.** ..... **15-09**

[52] **U.S. Cl.** ..... **D15/144.2**

[58] **Field of Search** ..... D15/144, 144.1,  
D15/144.2; 219/227, 240, 242; 228/20.5,  
40, 46, 51

[56] **References Cited**

**U.S. PATENT DOCUMENTS**

D. 274,914 7/1984 Bouman ..... D15/144

*Primary Examiner*—Antoine Duval Davis  
*Attorney, Agent, or Firm*—Burns, Doane, Swecker & Mathis LLP

[57] **CLAIM**

The ornamental design for a soldering station, as shown and described.

**DESCRIPTION**

FIG. 1 is a perspective view of a soldering station showing my new design;

FIG. 2 is a top plan view thereof;

FIG. 3 is a bottom plan view thereof;

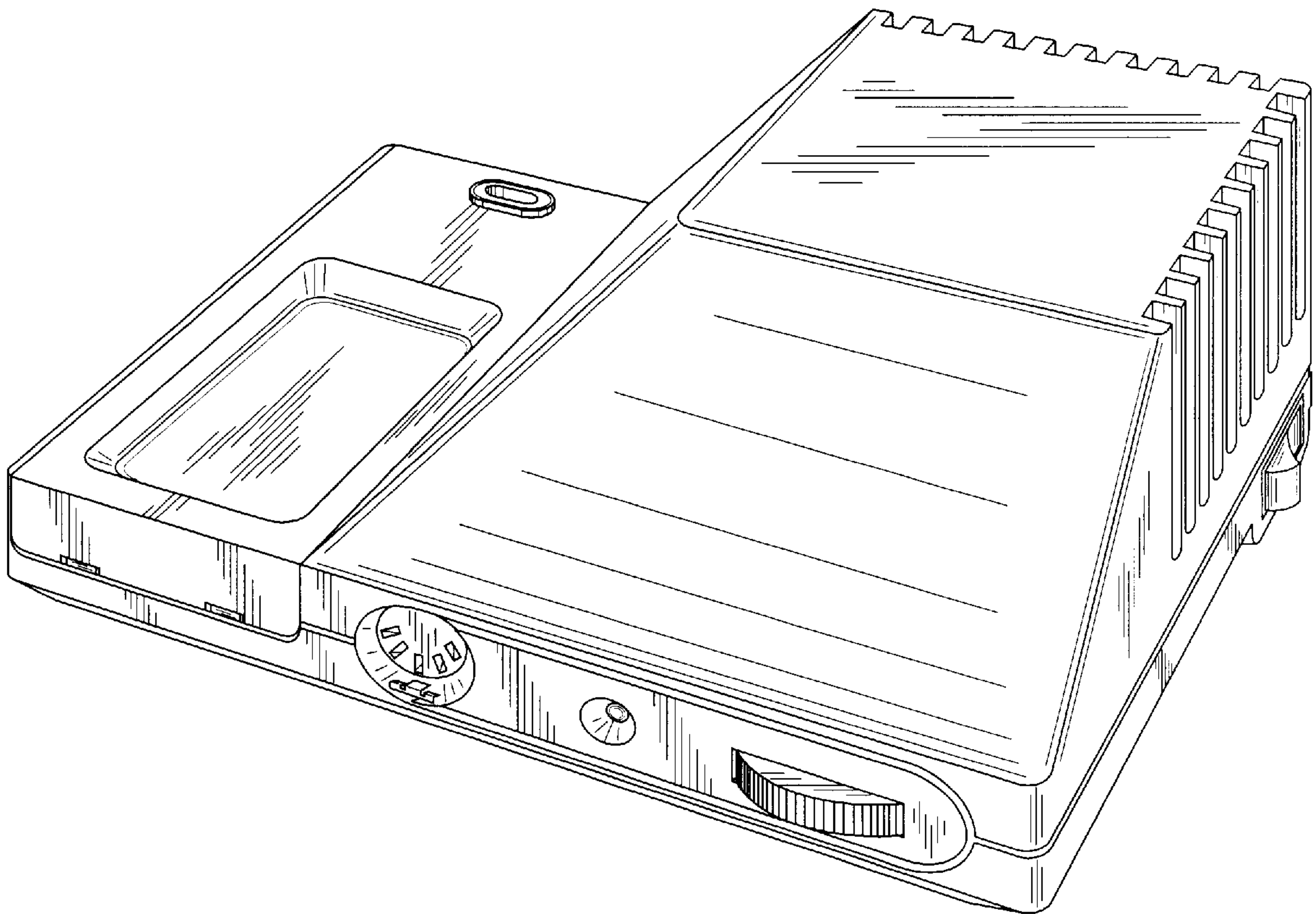
FIG. 4 is a front view thereof;

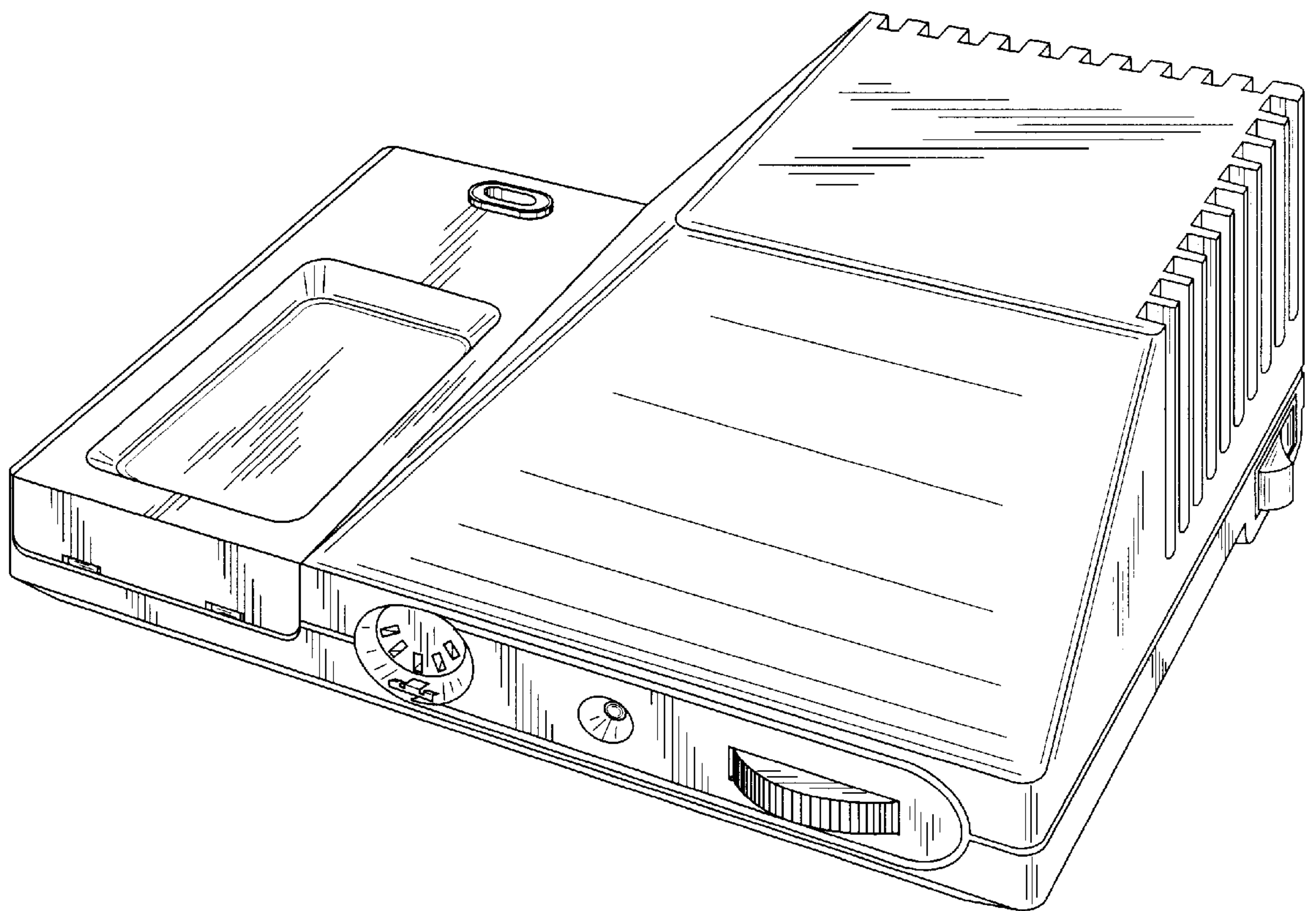
FIG. 5 is a rear view thereof;

FIG. 6 is a left side elevational view thereof; and,

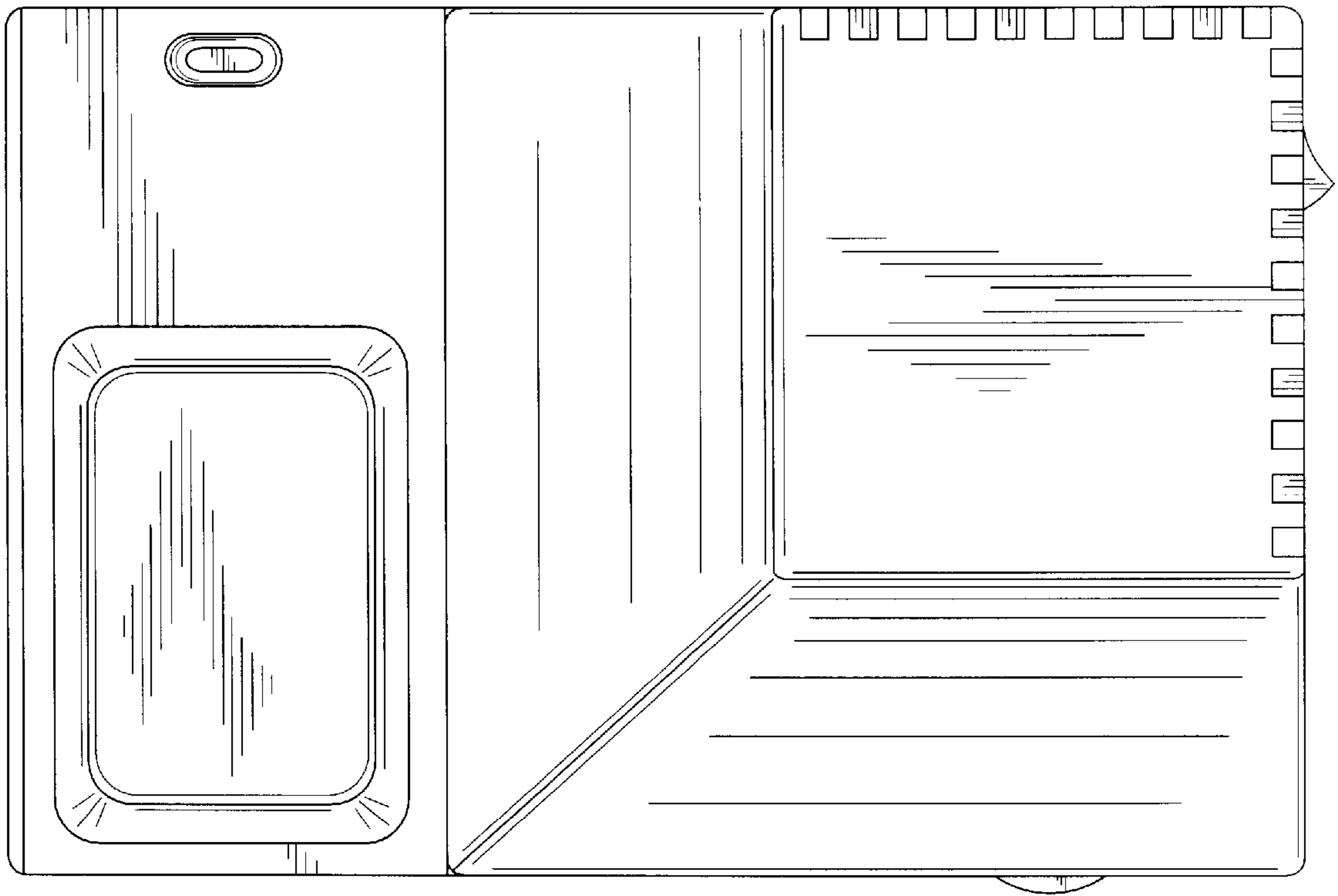
FIG. 7 is a right side elevational view thereof.

**1 Claim, 4 Drawing Sheets**

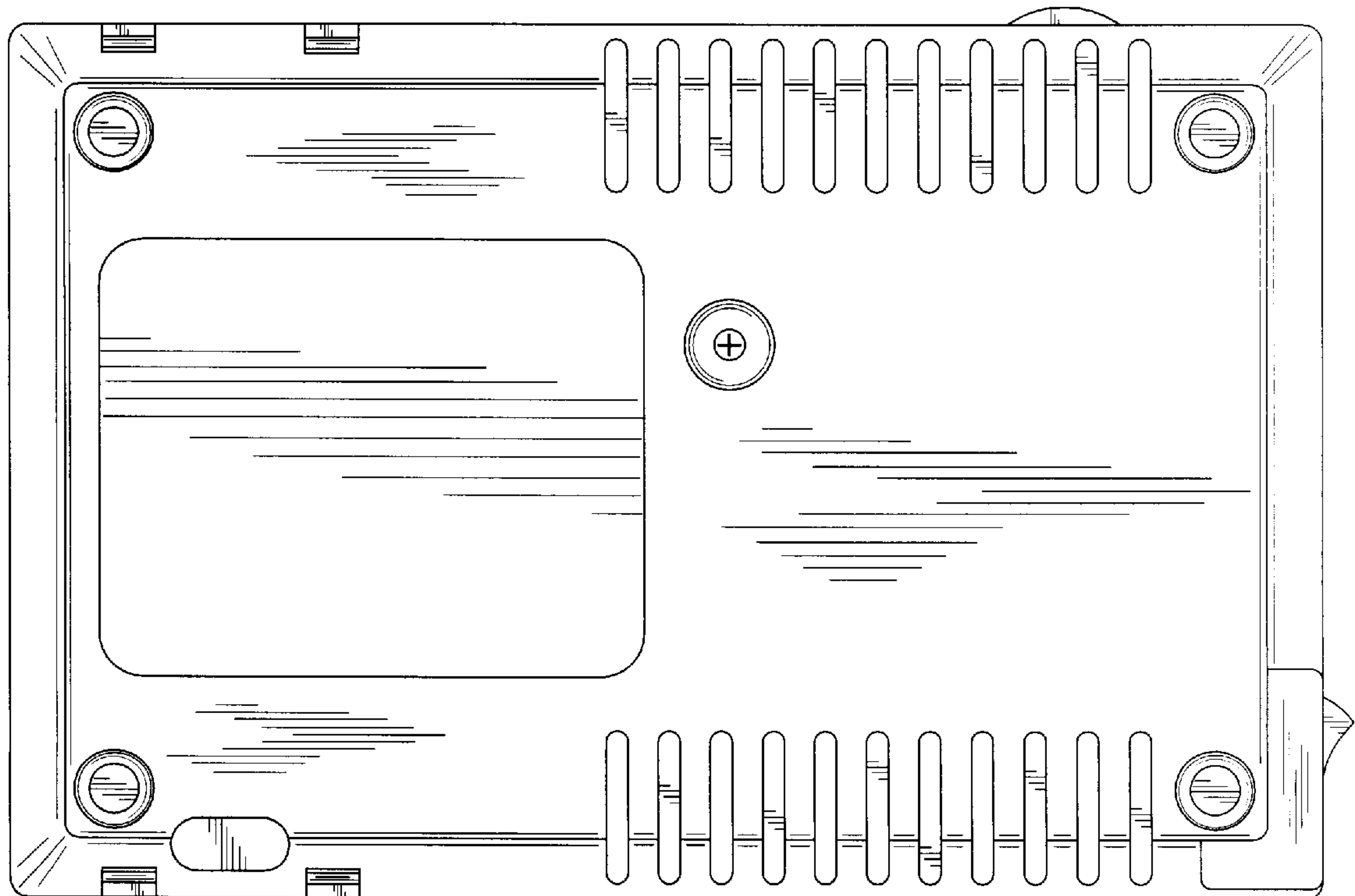




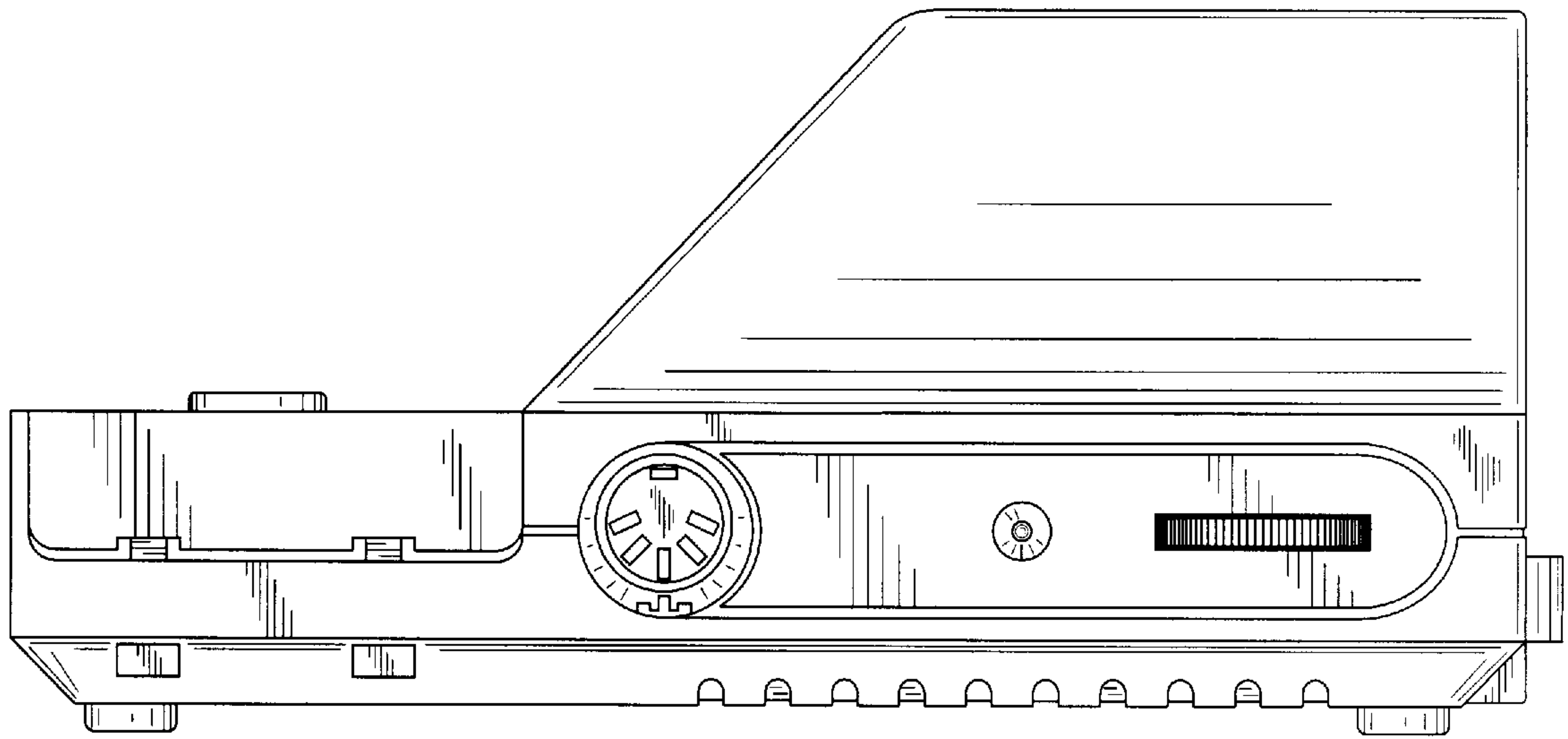
**FIG. 1**



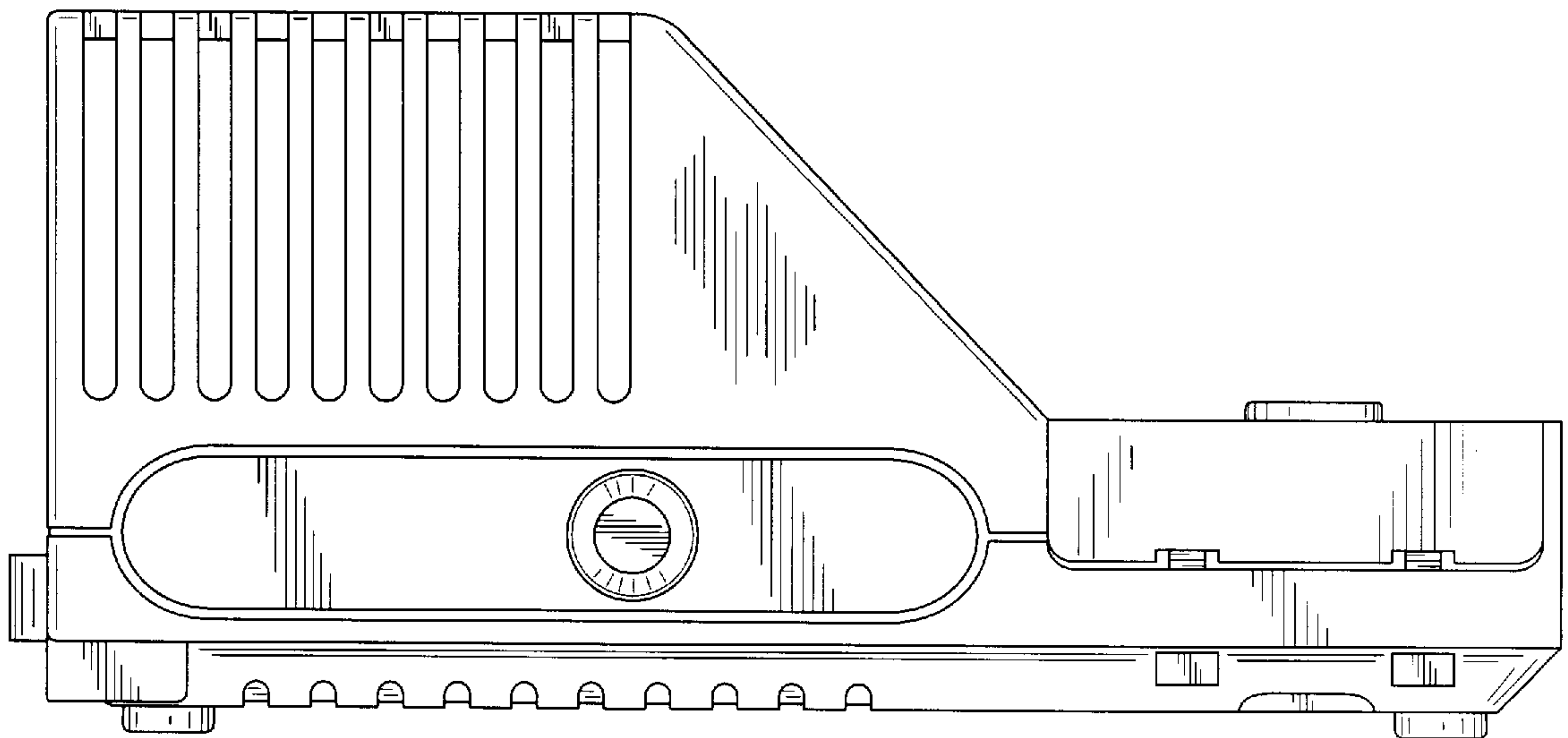
**FIG. 2**



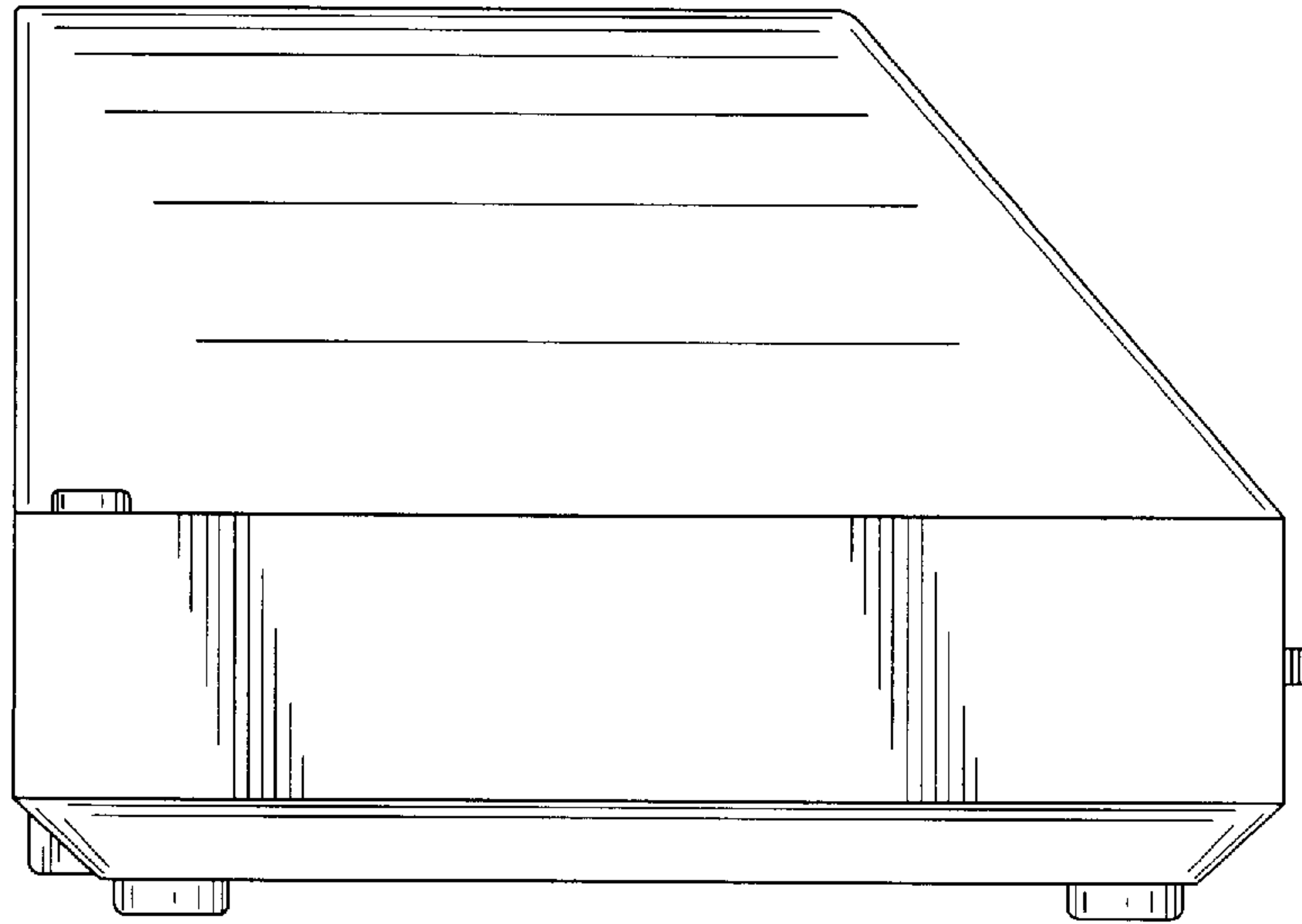
**FIG. 3**



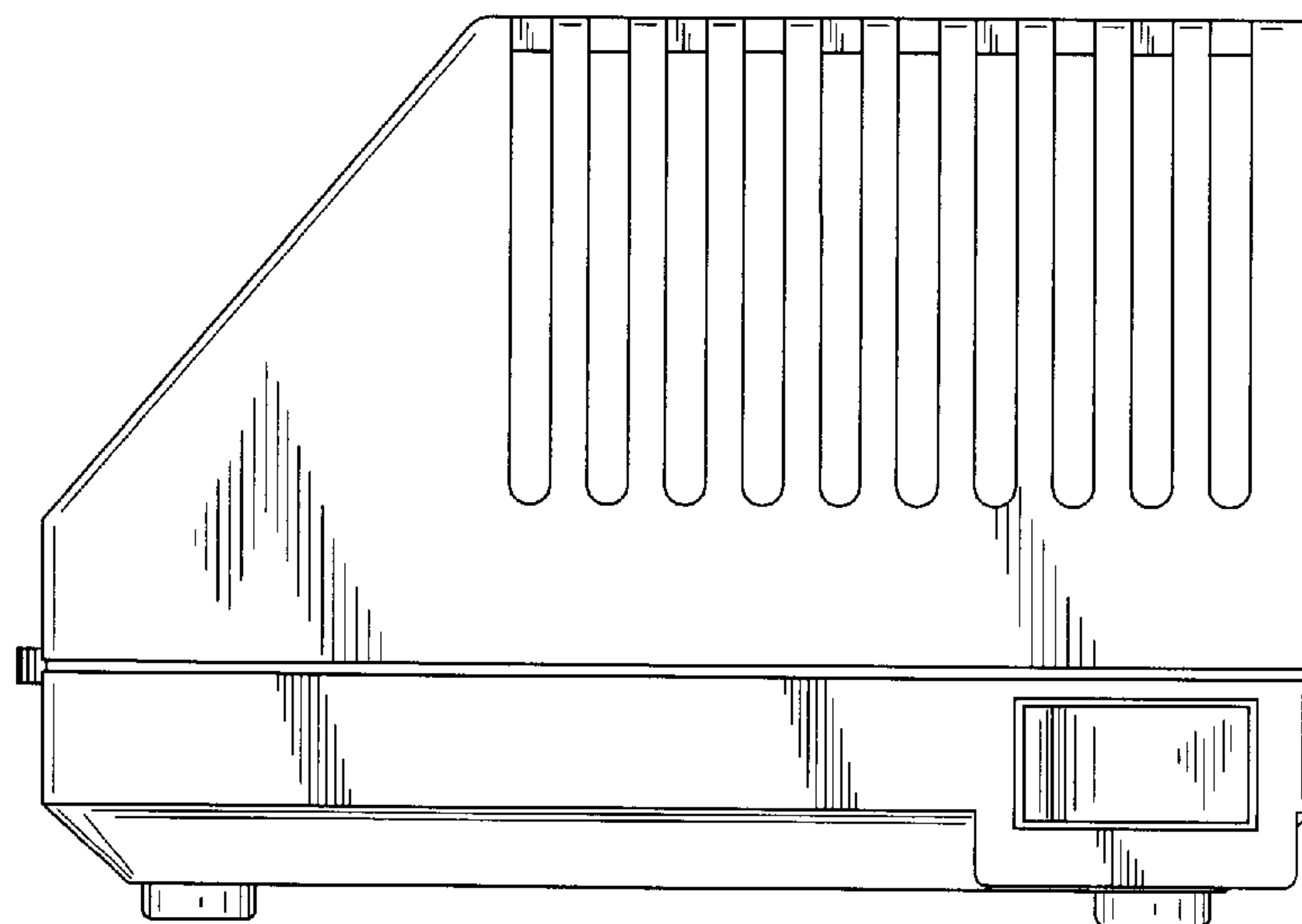
**FIG. 4**



**FIG. 5**



**FIG. 6**



**FIG. 7**