



US00D398011S

# United States Patent [19] Wang

[11] **Patent Number:** **Des. 398,011**  
[45] **Date of Patent:** **\*\*Sep. 8, 1998**

[54] **AIR COMPRESSOR**

D. 355,918 2/1995 Wang ..... D15/9  
D. 375,962 11/1996 Wong ..... D15/9

[75] Inventor: **Min-Hsieng Wang**, Tainan Hsien,  
Taiwan

*Primary Examiner*—Ralf Seifert  
*Attorney, Agent, or Firm*—Varndell Legal Group

[73] Assignee: **Coido Corporation**, Tainan Hsien,  
Taiwan

[57] **CLAIM**

[\*\*] Term: **14 Years**

The ornamental design for air compressor, as shown and described.

[21] Appl. No.: **75,597**

**DESCRIPTION**

[22] Filed: **Sep. 3, 1997**

FIG. 1 is a perspective view of a air compressor showing my new design thereof;

[51] **LOC (6) Cl.** ..... **15-02**

FIG. 2 is a front elevational view of FIG. 1;

[52] **U.S. Cl.** ..... **D15/9**

FIG. 3 is a rear elevational view of FIG. 1;

[58] **Field of Search** ..... D15/7-9; 417/234,  
417/360, 410.1; 340/321

FIG. 4 is a left side elevational view of FIG. 1;

FIG. 5 is a right side elevational view of FIG. 1;

FIG. 6 is a top plan view of FIG. 1; and,

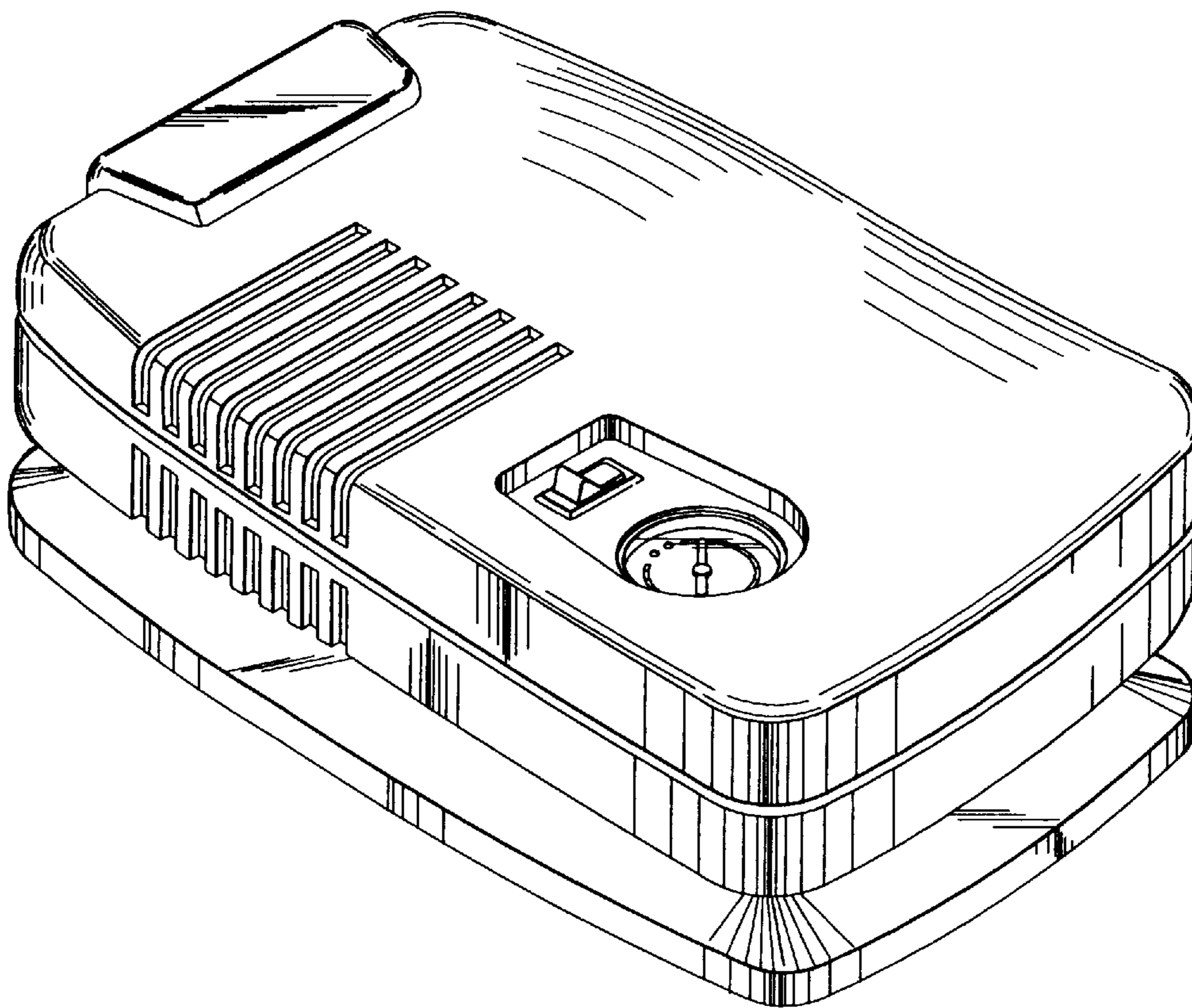
FIG. 7 is a bottom plan view of FIG. 1.

[56] **References Cited**

**U.S. PATENT DOCUMENTS**

D. 327,482 6/1992 Wang ..... D15/9

**1 Claim, 4 Drawing Sheets**



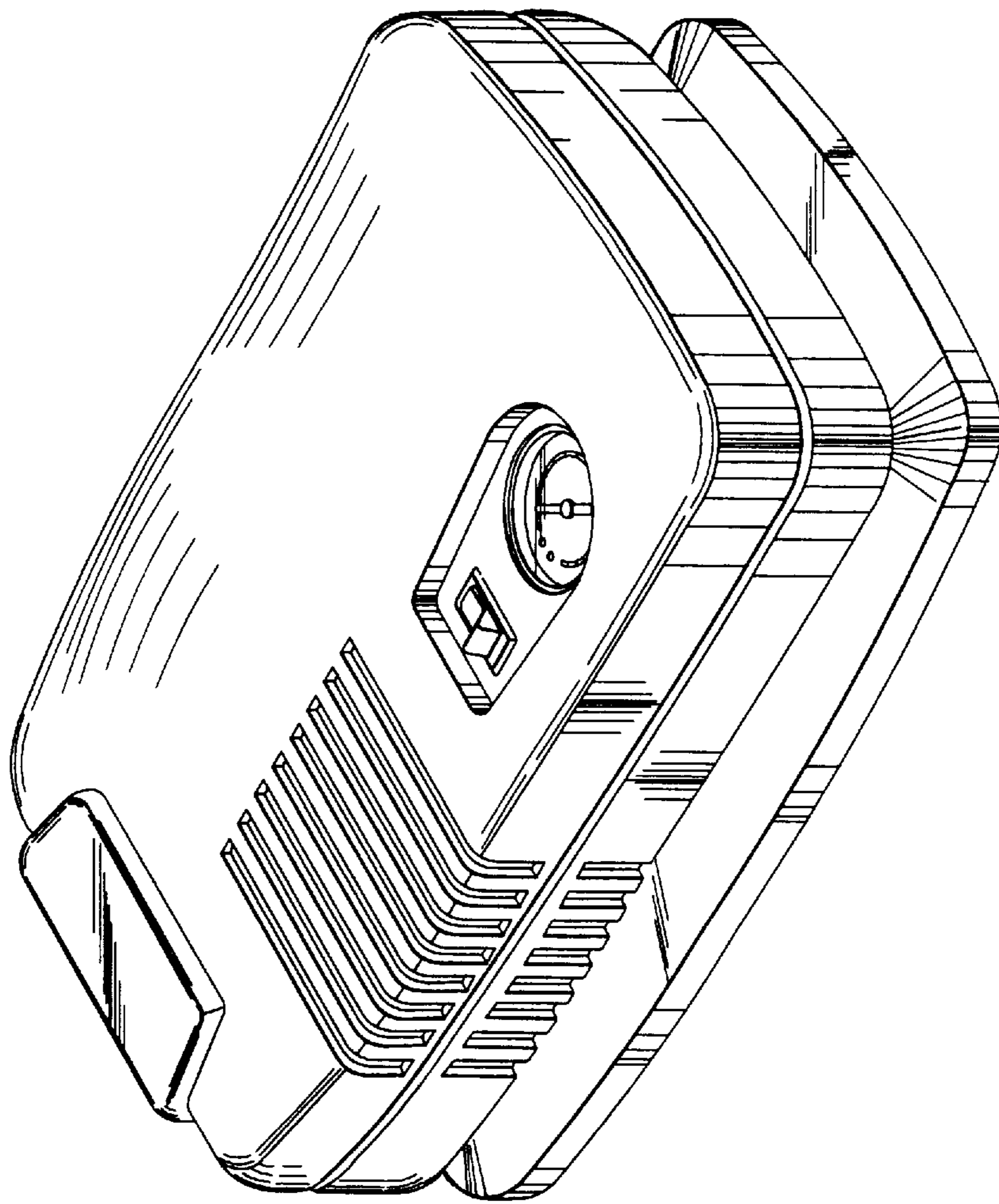


FIG. 1

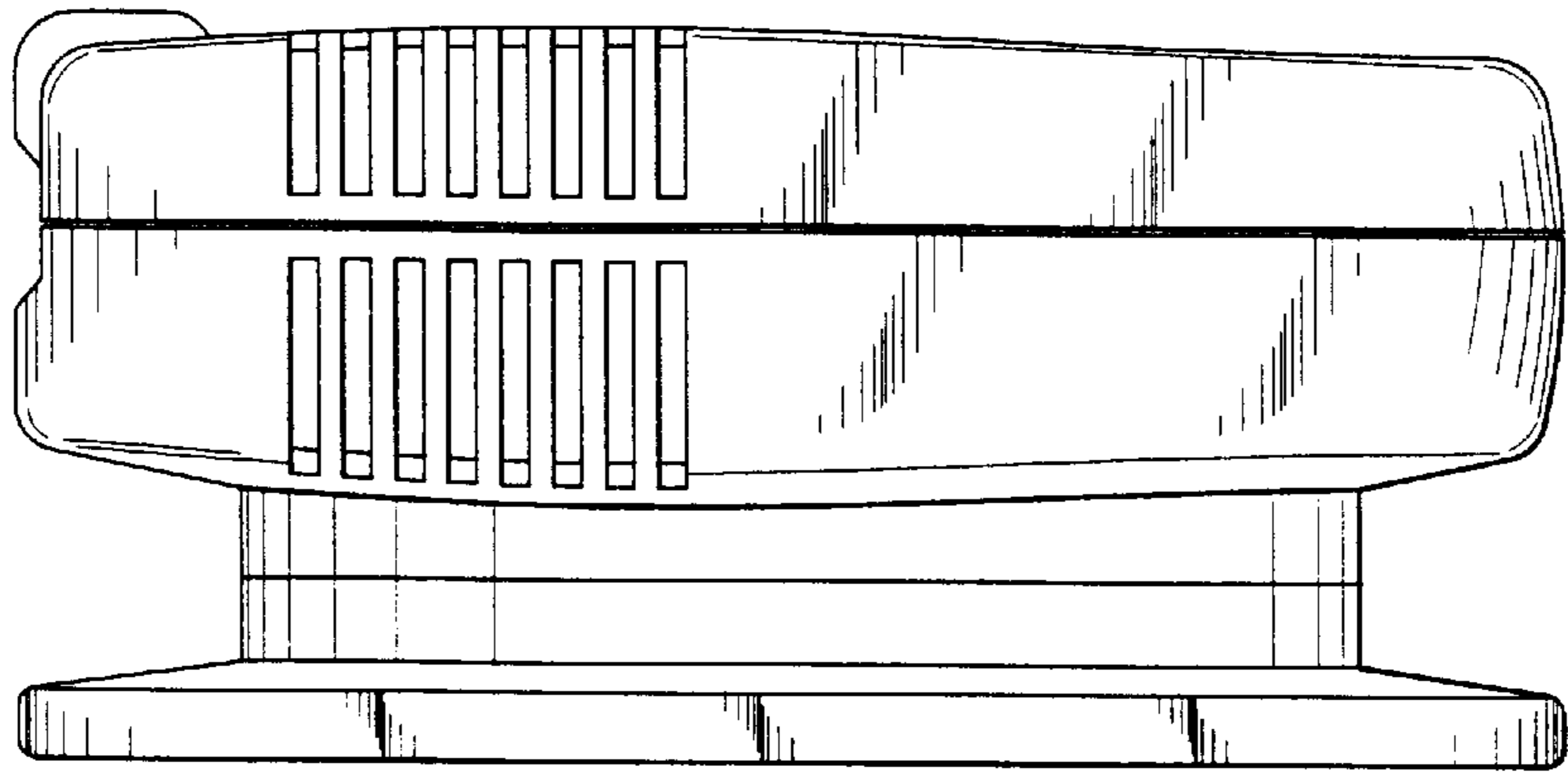


FIG. 2

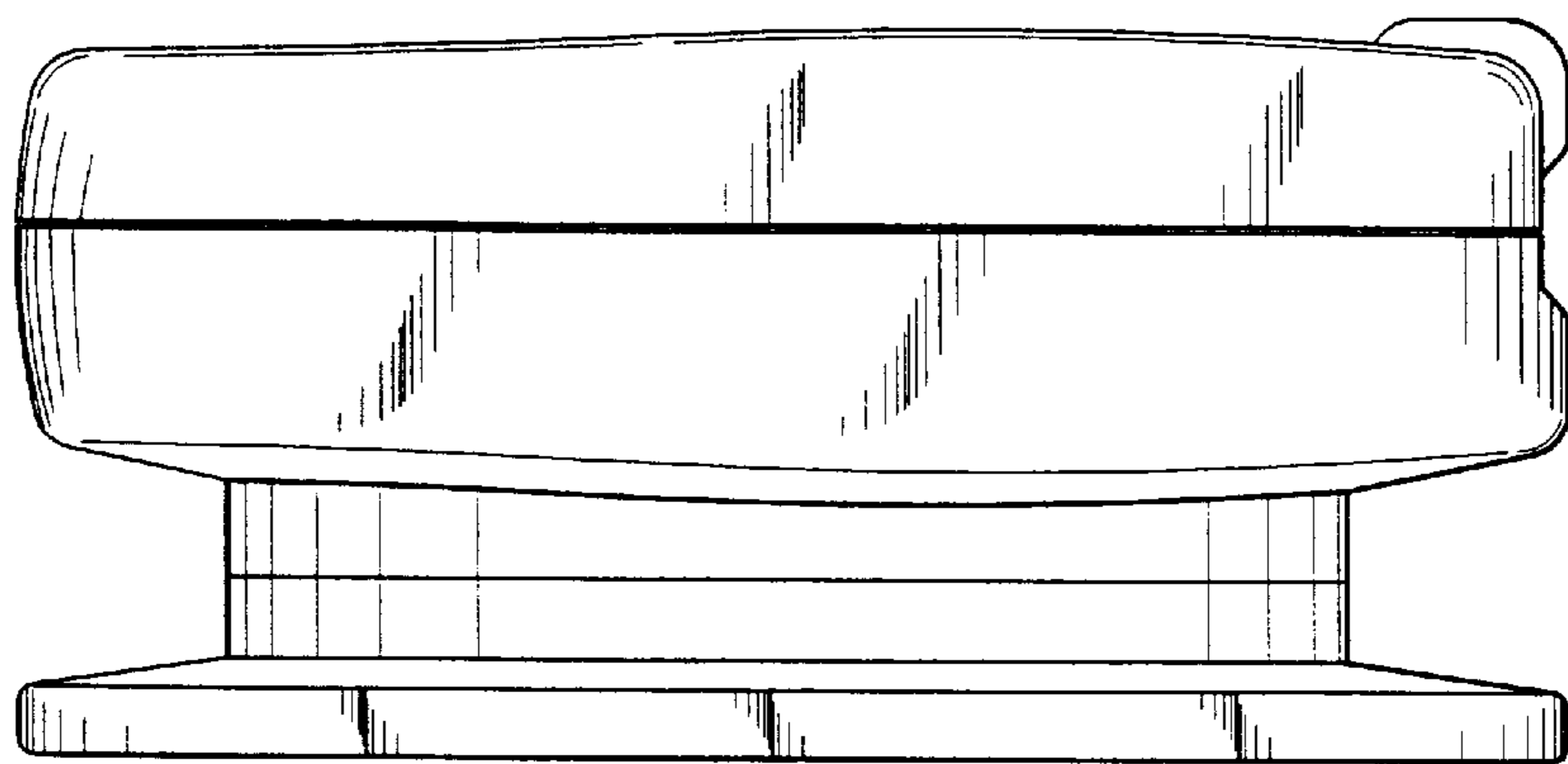


FIG. 3

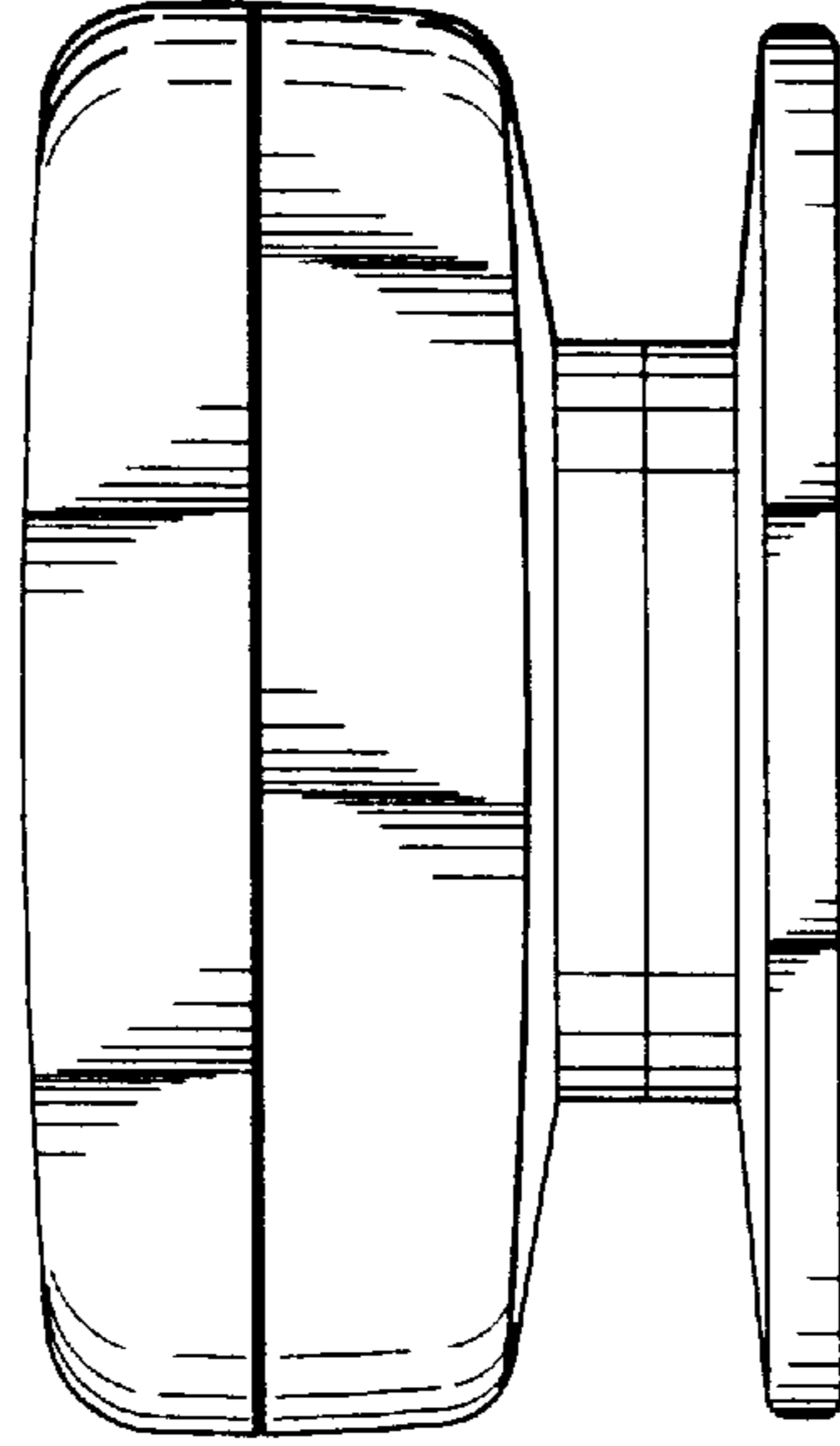


FIG. 5

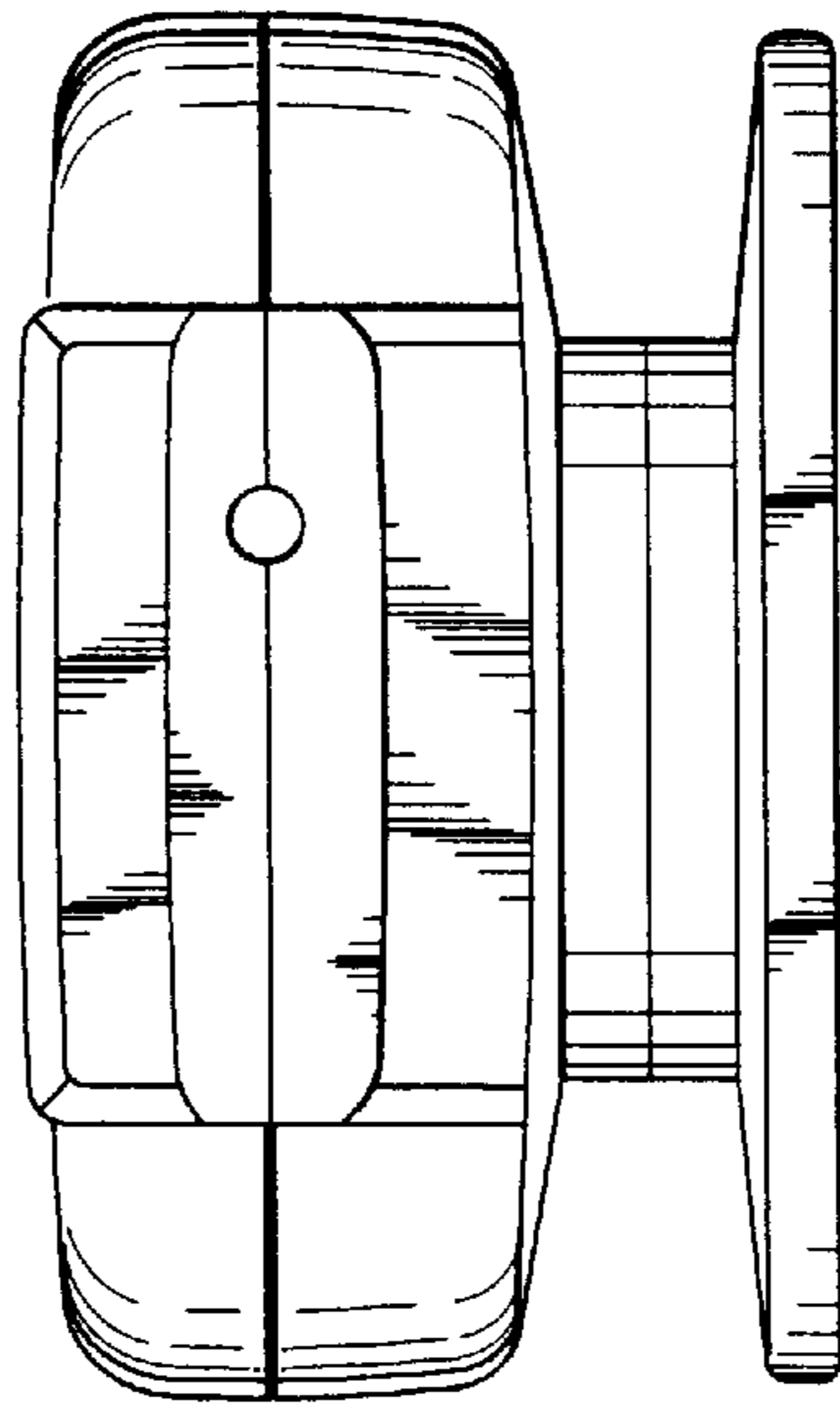


FIG. 4

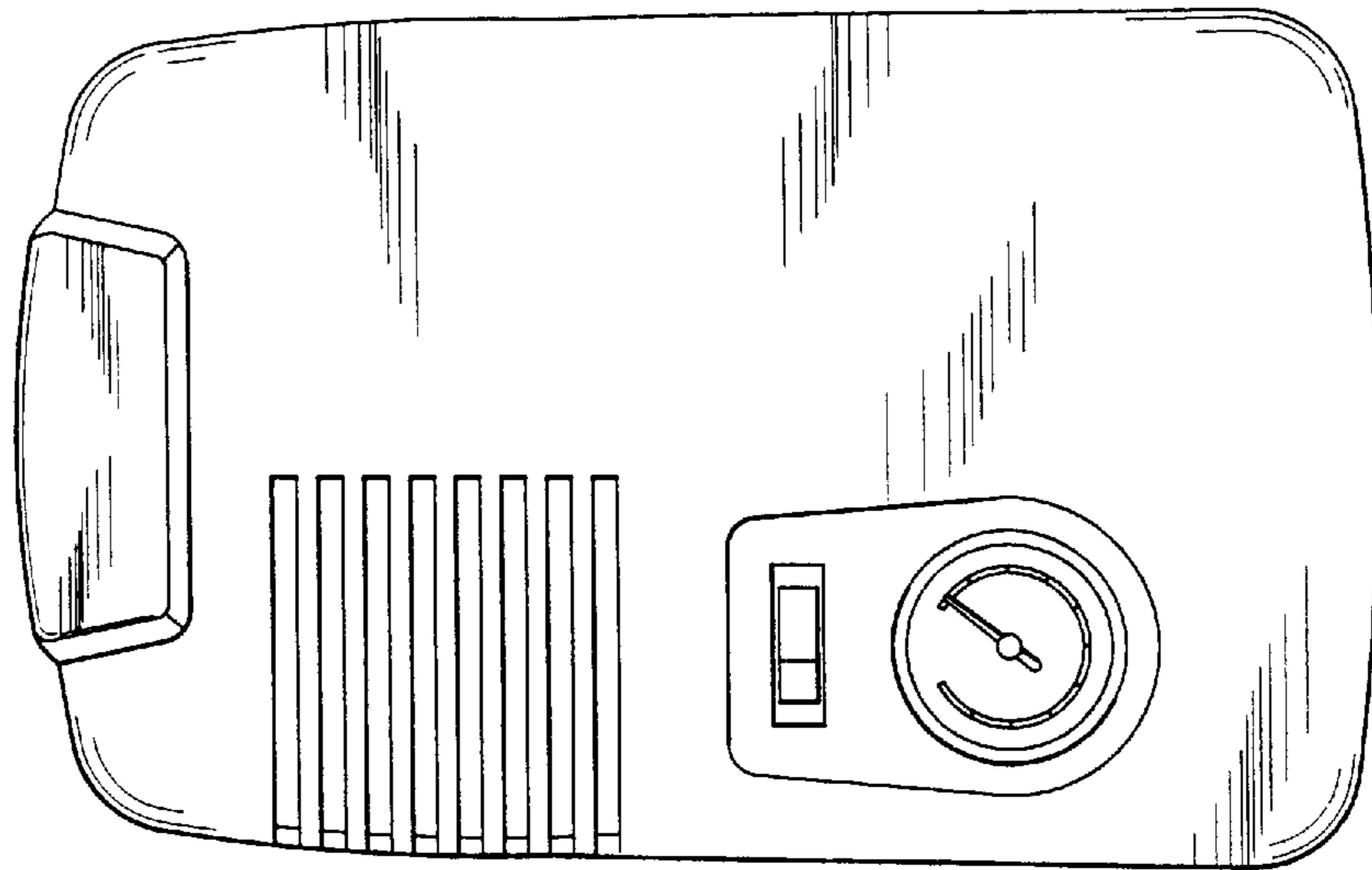


FIG. 6

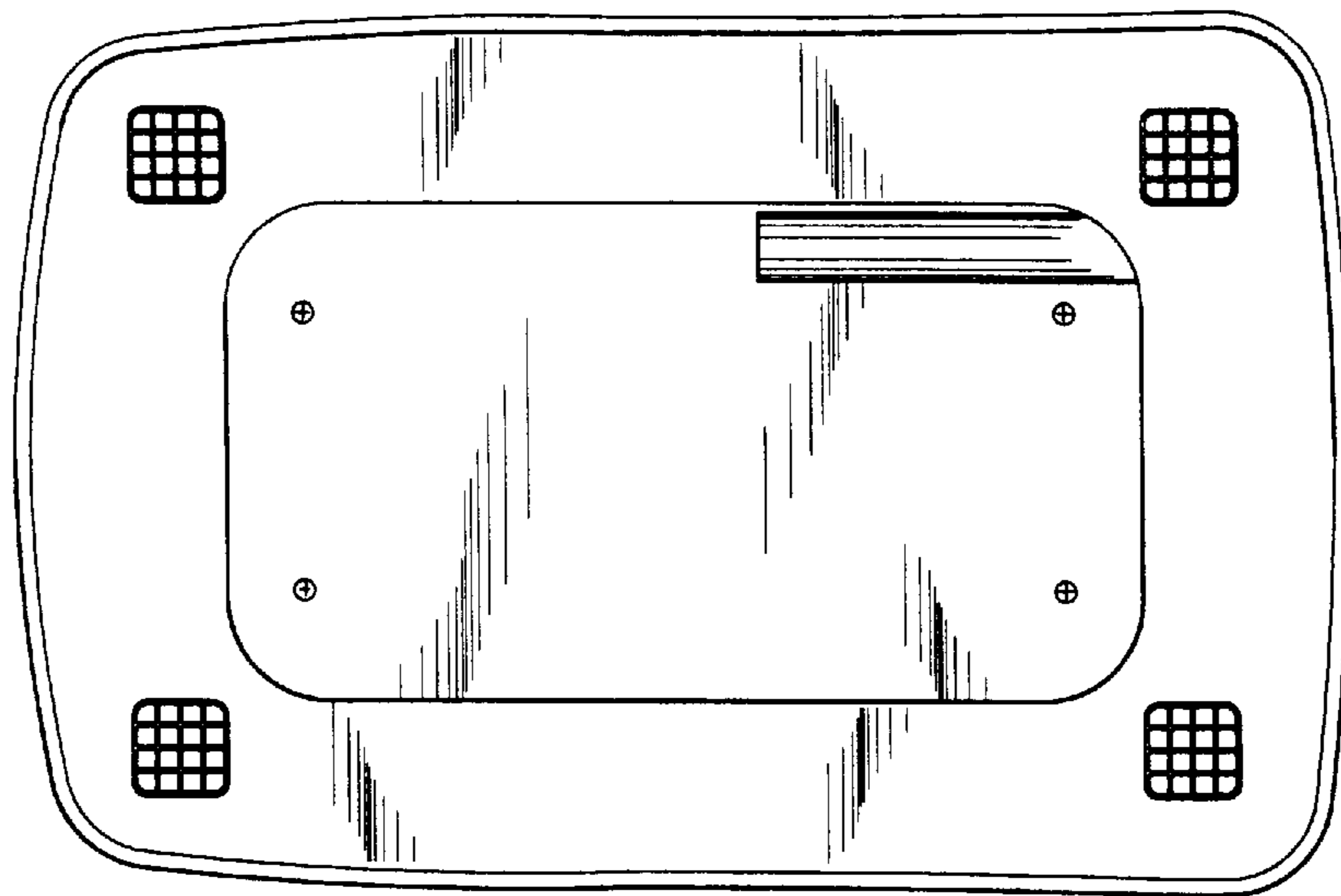


FIG. 7