



US00D398006S

United States Patent [19]

Kataoka et al.

[11] **Patent Number:** **Des. 398,006**

[45] **Date of Patent:** ****Sep. 8, 1998**

[54] **PAGER WITH FRONT DISPLAY**

[75] Inventors: **Tetsu Kataoka**, Washington Township, N.J.; **James Wicks**, San Francisco, Calif.

[73] Assignee: **Sony Corporation of America**, New York, N.Y.

[**] Term: **14 Years**

[21] Appl. No.: **67,118**

[22] Filed: **Feb. 28, 1997**

[51] **LOC (6) Cl.** **14-03**

[52] **U.S. Cl.** **D14/191**

[58] **Field of Search** D14/124, 188, D14/191, 192, 299; 340/311.1; 455/90, 92, 100, 128, 344

[56] **References Cited**

U.S. PATENT DOCUMENTS

D. 353,592 12/1994 Davis et al. D14/191

D. 364,870 12/1995 Scheid et al. D14/191
D. 371,559 7/1996 Hon et al. D14/191
D. 375,099 10/1996 Khoo D14/191

Primary Examiner—Sandra L. Morris
Assistant Examiner—Nanda Bondade
Attorney, Agent, or Firm—Jay H. Maioli

[57] **CLAIM**

The ornamental design for a pager with front display, as shown and described.

DESCRIPTION

FIG. 1 is a top, front, and right-side perspective view of a pager with front display, showing our new design; FIG. 2 is a front elevational view thereof, the rear view being void of ornamentation; FIG. 3 is a left-side elevational view thereof; FIG. 4 is a right-side elevational view thereof; and, FIG. 5 is a top, plan view thereof, the bottom view being void of ornamentation.

1 Claim, 2 Drawing Sheets

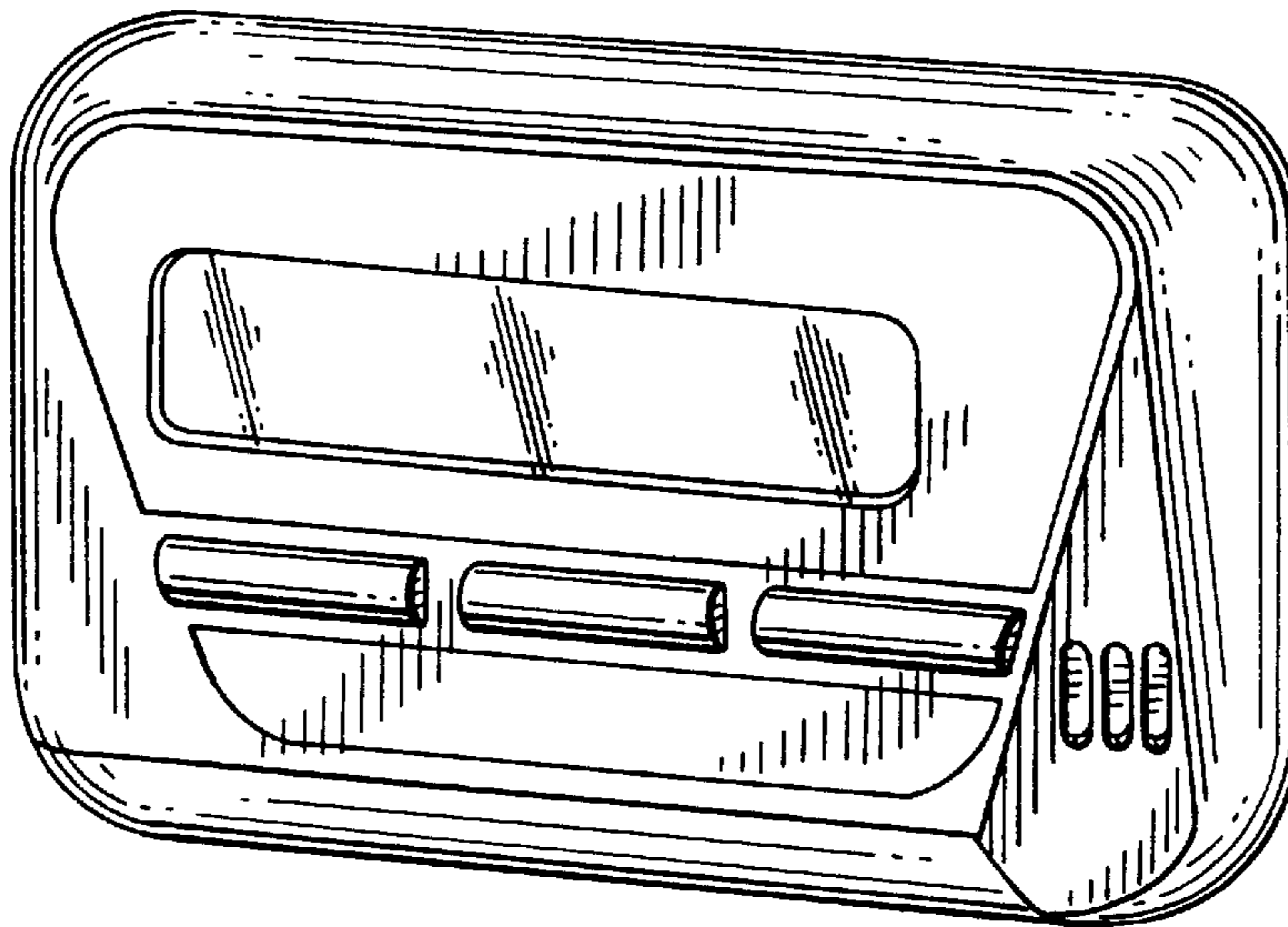


FIG. 1

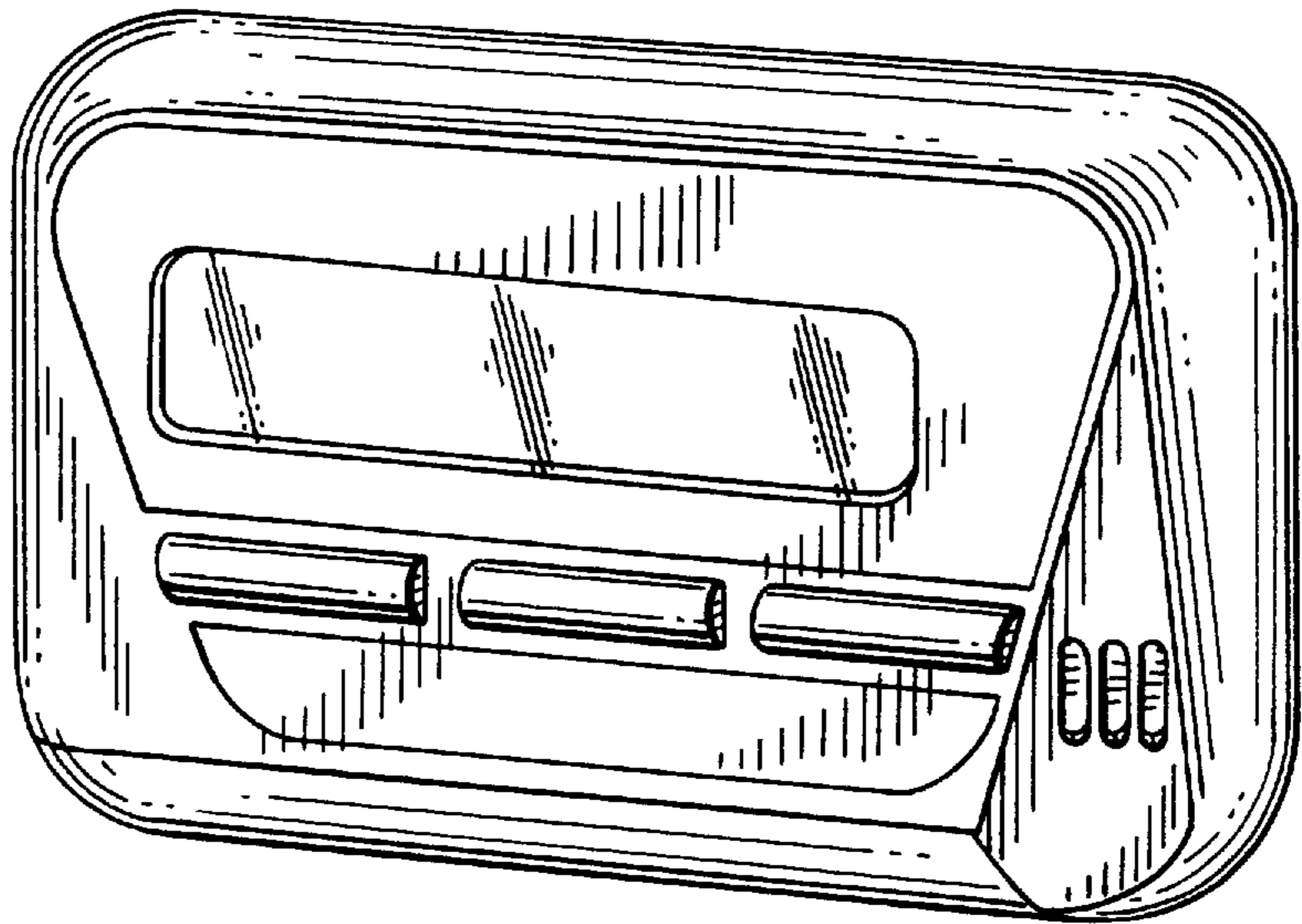
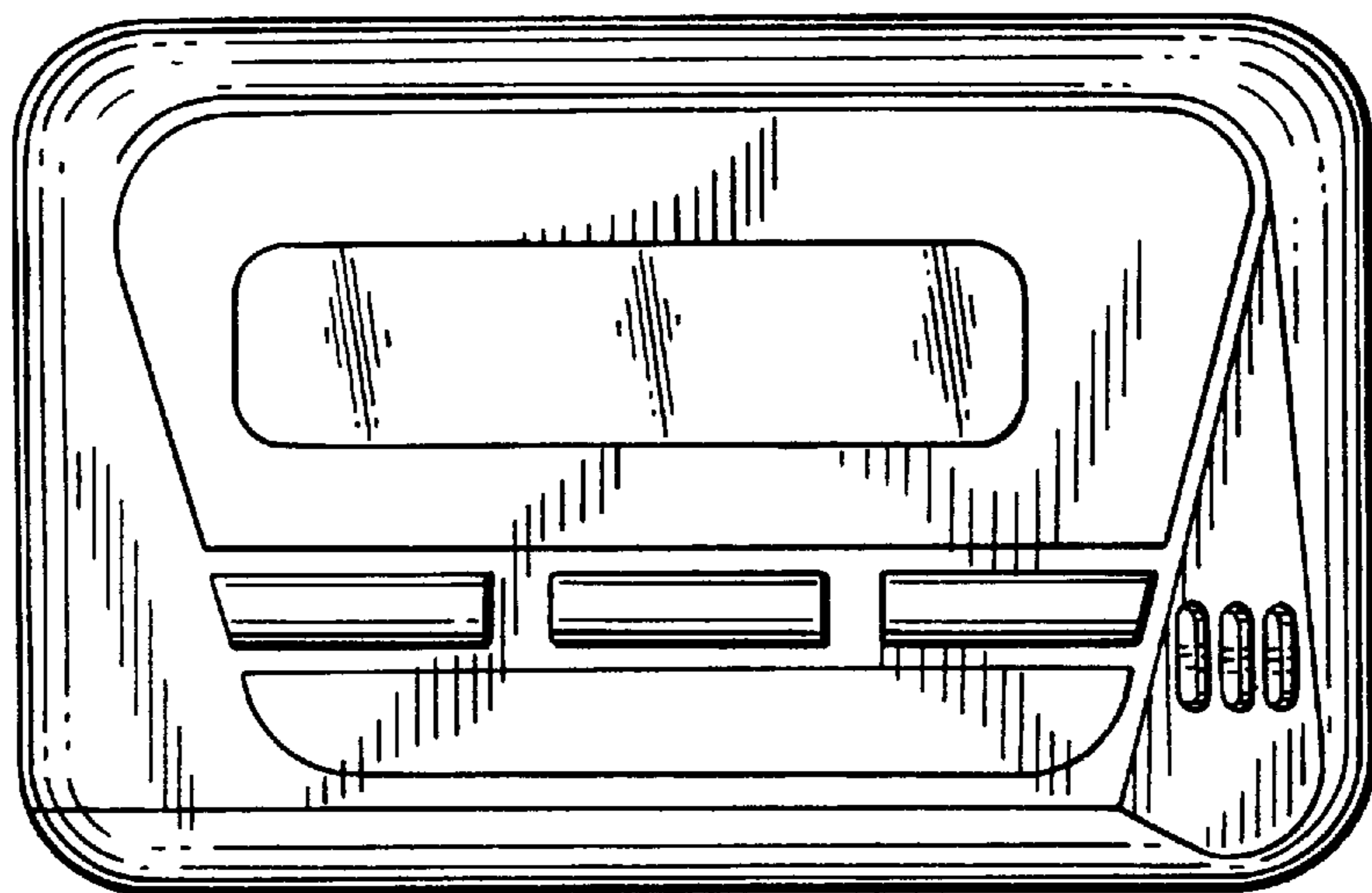


FIG. 2



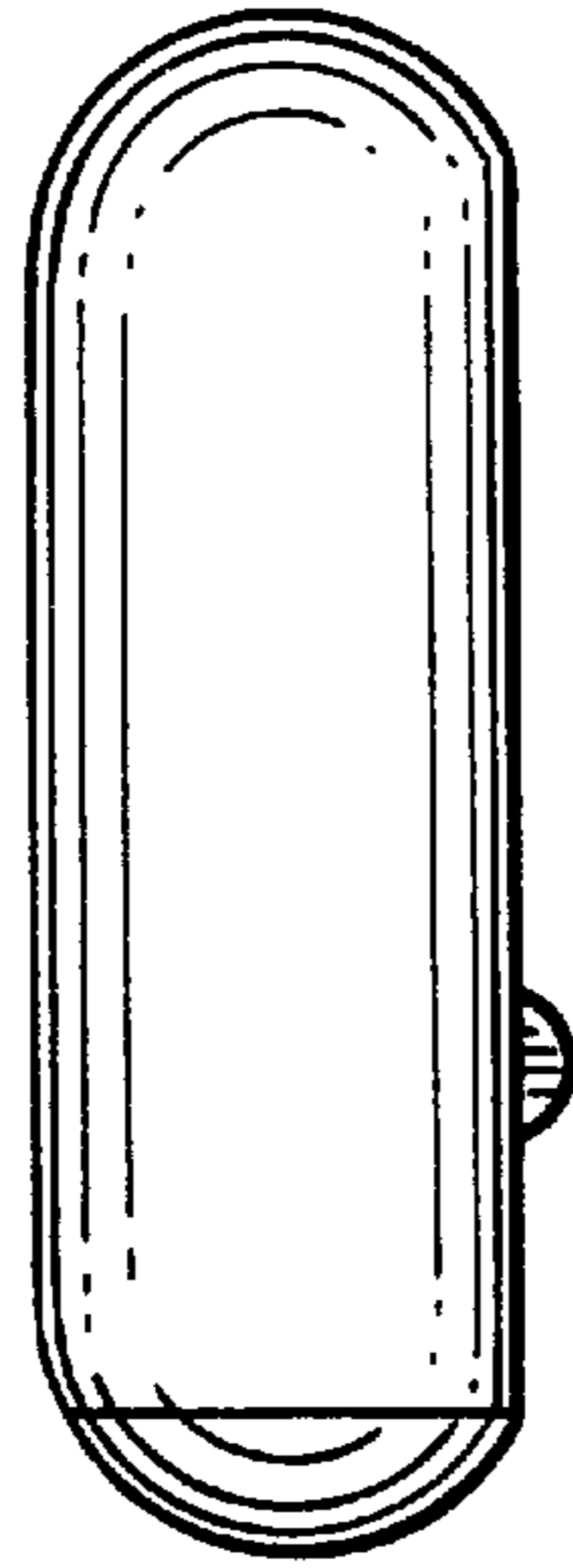


FIG. 3

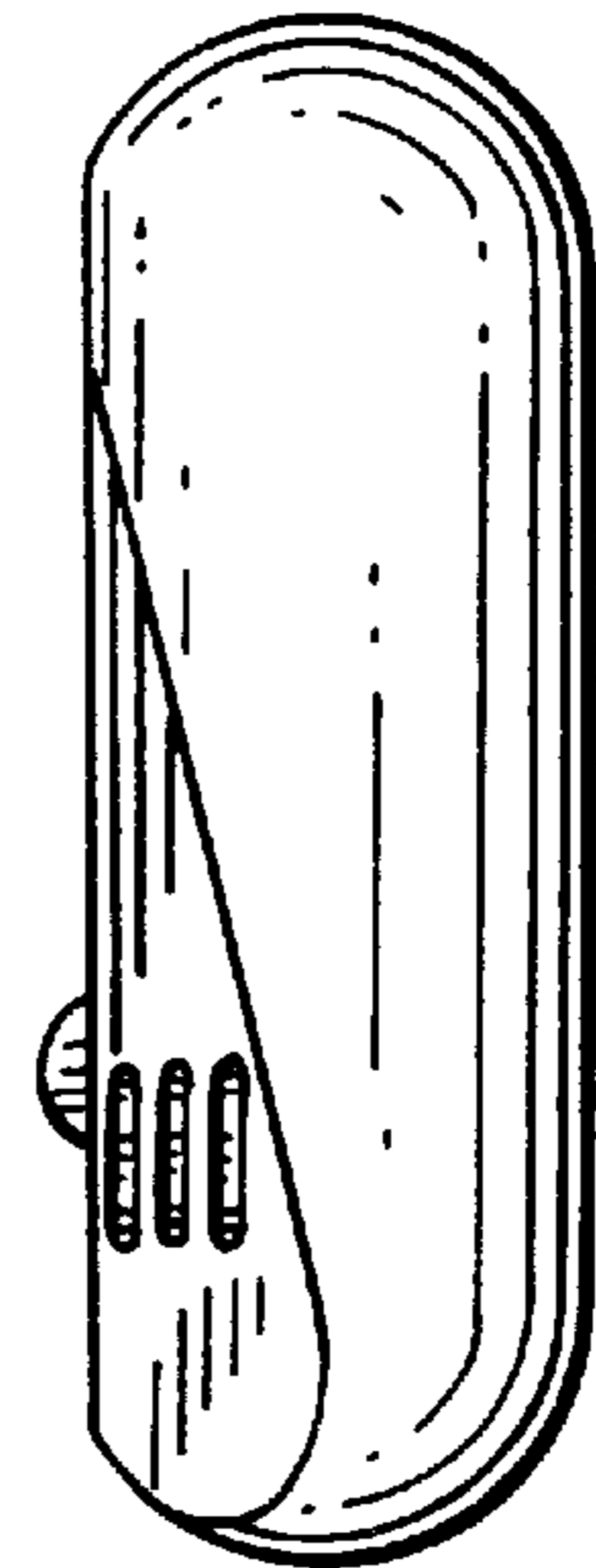


FIG. 4

FIG. 5

