



US00D398000S

# United States Patent [19]

[11] **Patent Number: Des. 398,000**

**Cappa et al.**

[45] **Date of Patent: \*\*\*Sep. 8, 1998**

[54] **DISPLAY SCREEN WITH AN ICON**

[75] Inventors: **Armando M. Cappa**, Reseda; **Jeffrey D. Konopka**, Northridge; **Warren R. Heer**, La Palma, all of Calif.

[73] Assignee: **Pacesetter, Inc.**, Sylmar, Calif.

[\*] Notice: The term of this patent shall not extend beyond the expiration date of Pat. Nos. D396,457 and D395,645.

[\*\*] Term: **14 Years**

[21] Appl. No.: **49,410**

[22] Filed: **Jan. 24, 1996**

[51] **LOC (6) Cl.** ..... **14-02**

[52] **U.S. Cl.** ..... **D14/114.3**

[58] **Field of Search** ..... D14/114, 114.1-114.9; D18/24, 27; D10/11; D19/6; 395/326, 339-40, 347-57

### References Cited

#### U.S. PATENT DOCUMENTS

- D. 270,271 8/1983 Steele ..... D18/27
- D. 270,272 8/1983 Steele ..... D18/27
- D. 295,765 5/1988 Wells-Papanek et al. .... D18/27
- D. 295,877 5/1988 Wells-Papanek et al. .... D18/27

#### OTHER PUBLICATIONS

Symbol Sourcebook, Henry Dreyfuss, Van Nostrand Reinhold, transmitter, converter, signal translator symbols, p. 71, noise symbol, p. 57, floor outlets symbols, p. 49, 1972.  
Corel Gallery Clipart Catalog, Corel Corp, ekg1, ekg2, ekg3 images, p. 228, 1994.

The Icon Book, William Horton, John Wiley & Sons, Inc., electronic, fast forward, rewind icons, p. 381, incomplete icon, p. 384, 1994.

Graphical Symbols for Use on Equipment, International Standard, Commission Electrotechnique Internationale, International Electrotechnical Commission, Publication 417, First Edition, (Jun. 1973) pp. 5107-5108, 5194a, 5284a, 5302a.

*Primary Examiner*—M. H. Tung

### [57] CLAIM

The ornamental design for a display screen with an icon thereon, as shown and described.

### DESCRIPTION

FIG. 1 is a front perspective view of a display screen with an icon, the broken line drawing of a computer system is shown for illustration purposes only and forms no part of the claimed design;

FIG. 2 is a front view of a second embodiment thereof, the broken line drawing of a computer system is shown for illustration purposes only and forms no part of the claimed design;

FIG. 3 is a front view of the first embodiment shown in FIG. 1, on an enlarged scale, the display screen is shown partially for ease of illustration;

FIG. 4 is a front view of a third embodiment thereof, on an enlarged scale, the display screen is shown partially for ease of illustration;

FIG. 5 is a front view of a fourth embodiment thereof, on an enlarged scale, the display screen is shown partially for ease of illustration; and,

FIG. 6 is a front view of a fifth embodiment thereof, on an enlarged scale, the display screen is shown partially for ease of illustration.

**1 Claim, 2 Drawing Sheets**

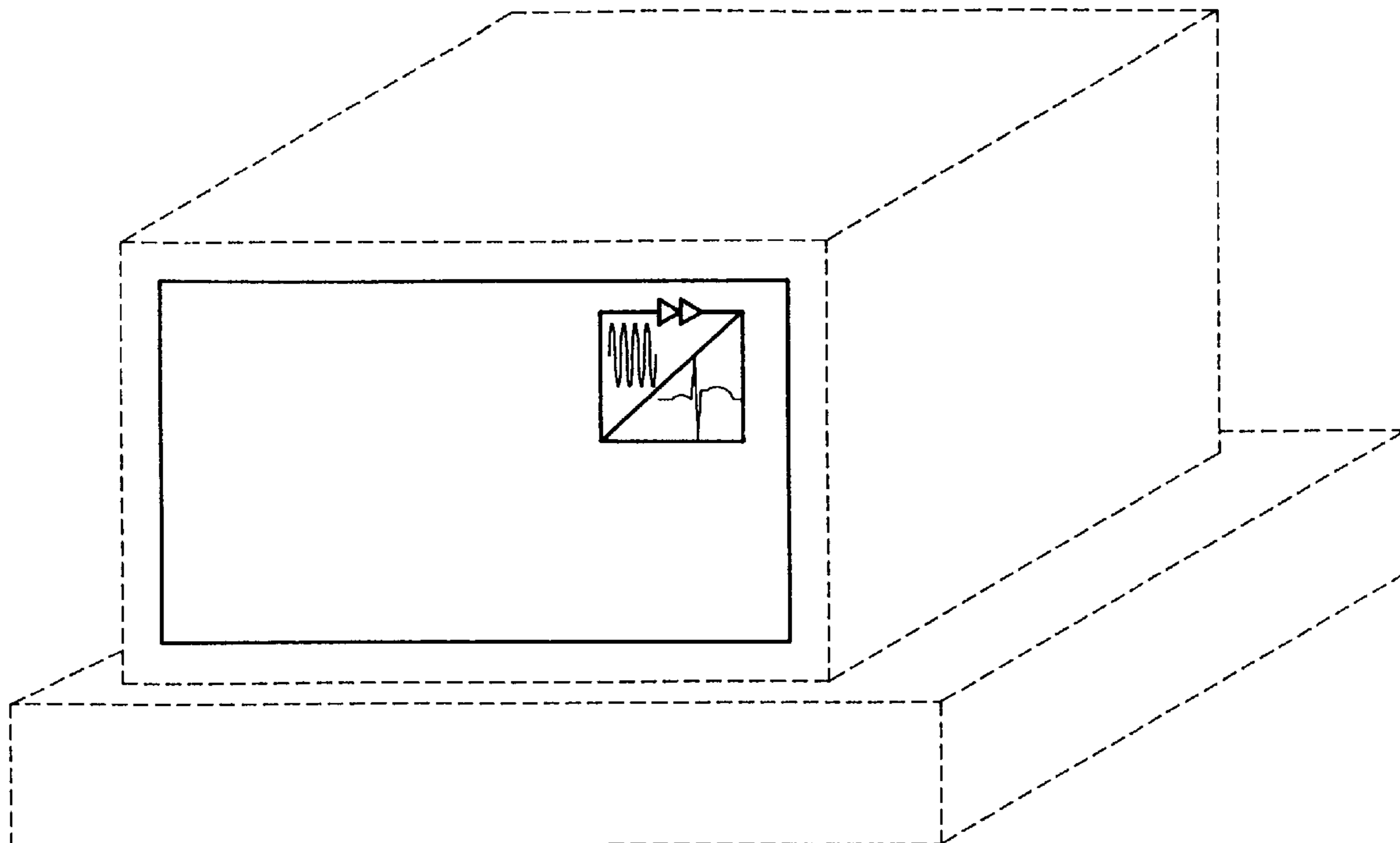


FIG. 1

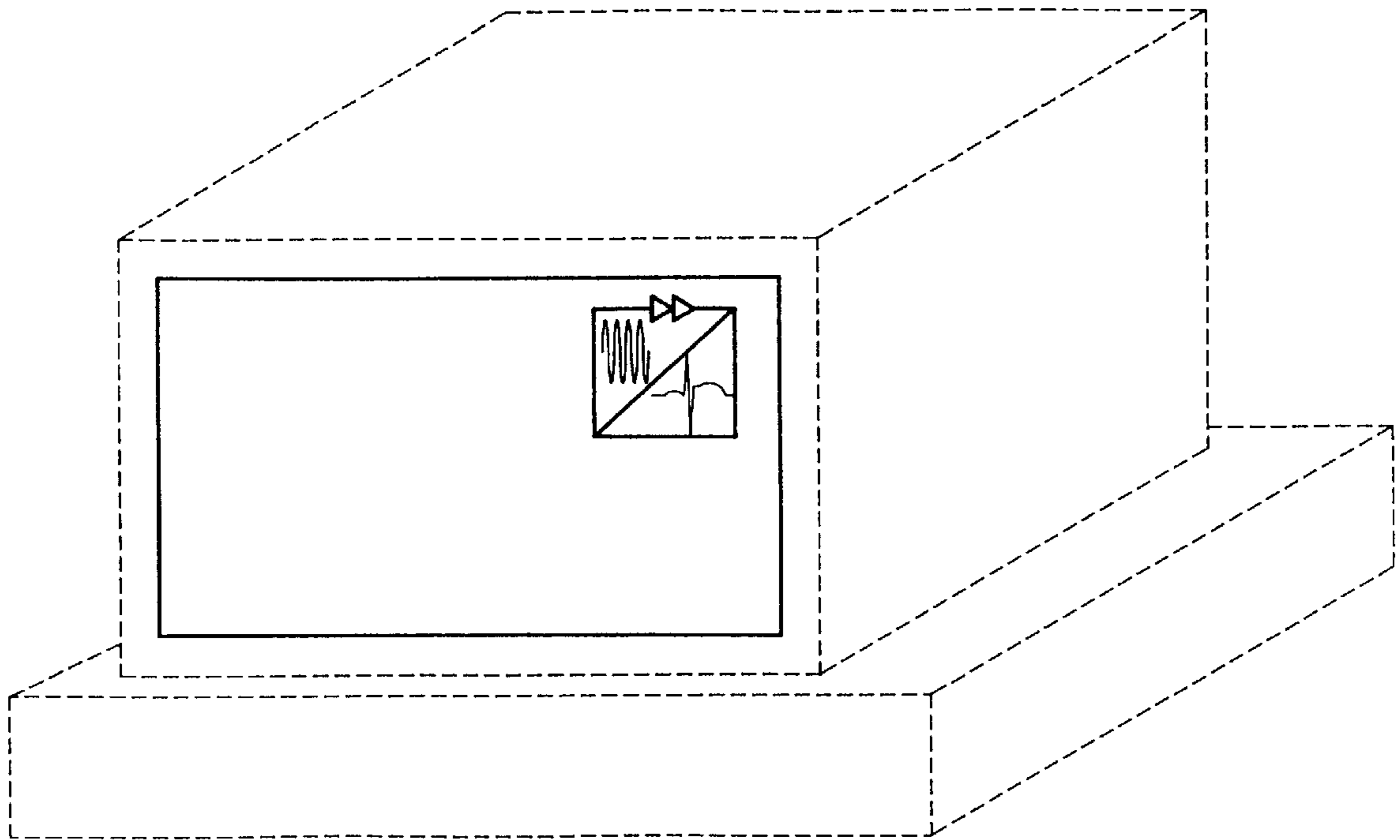
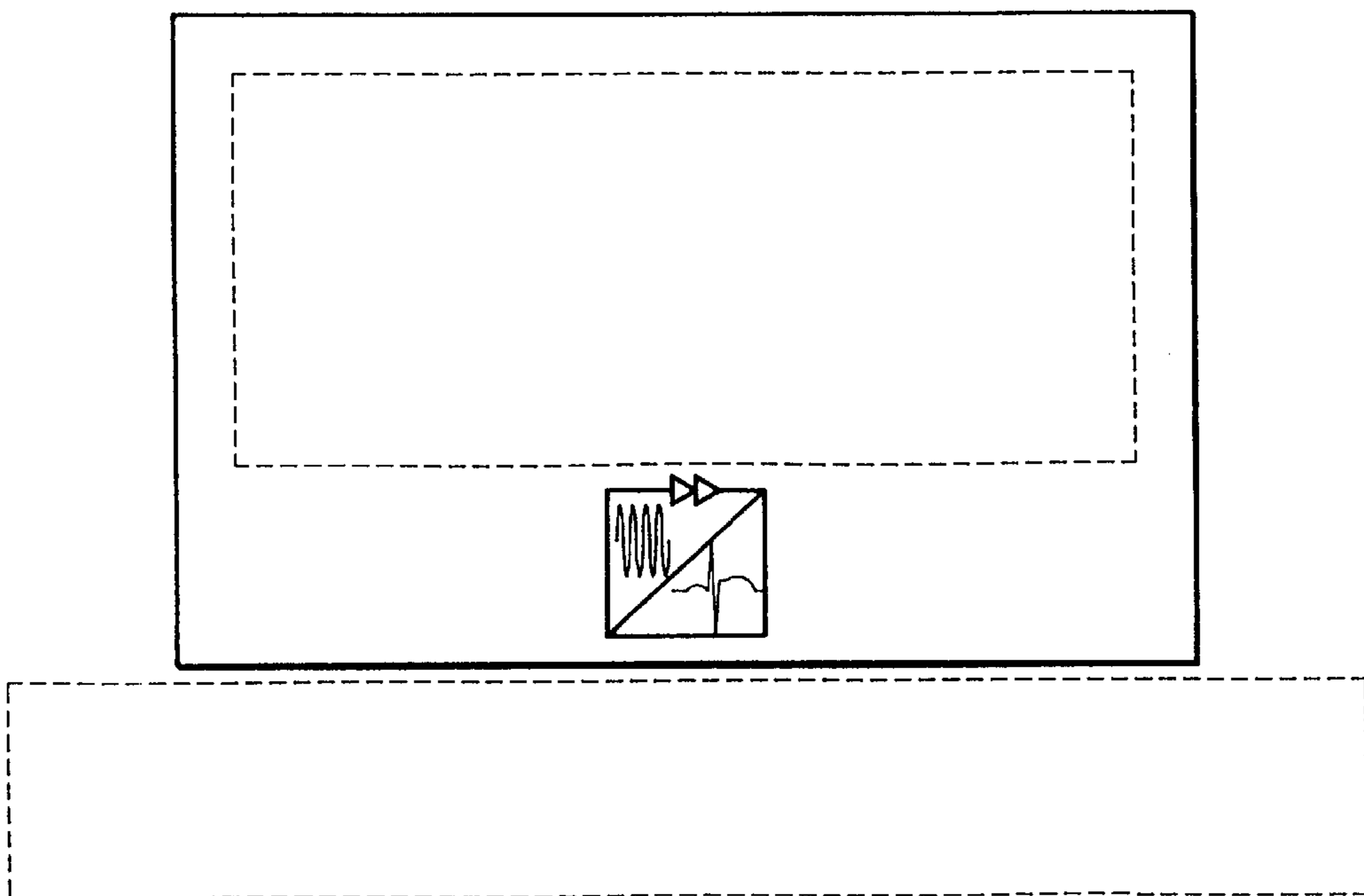


FIG. 2



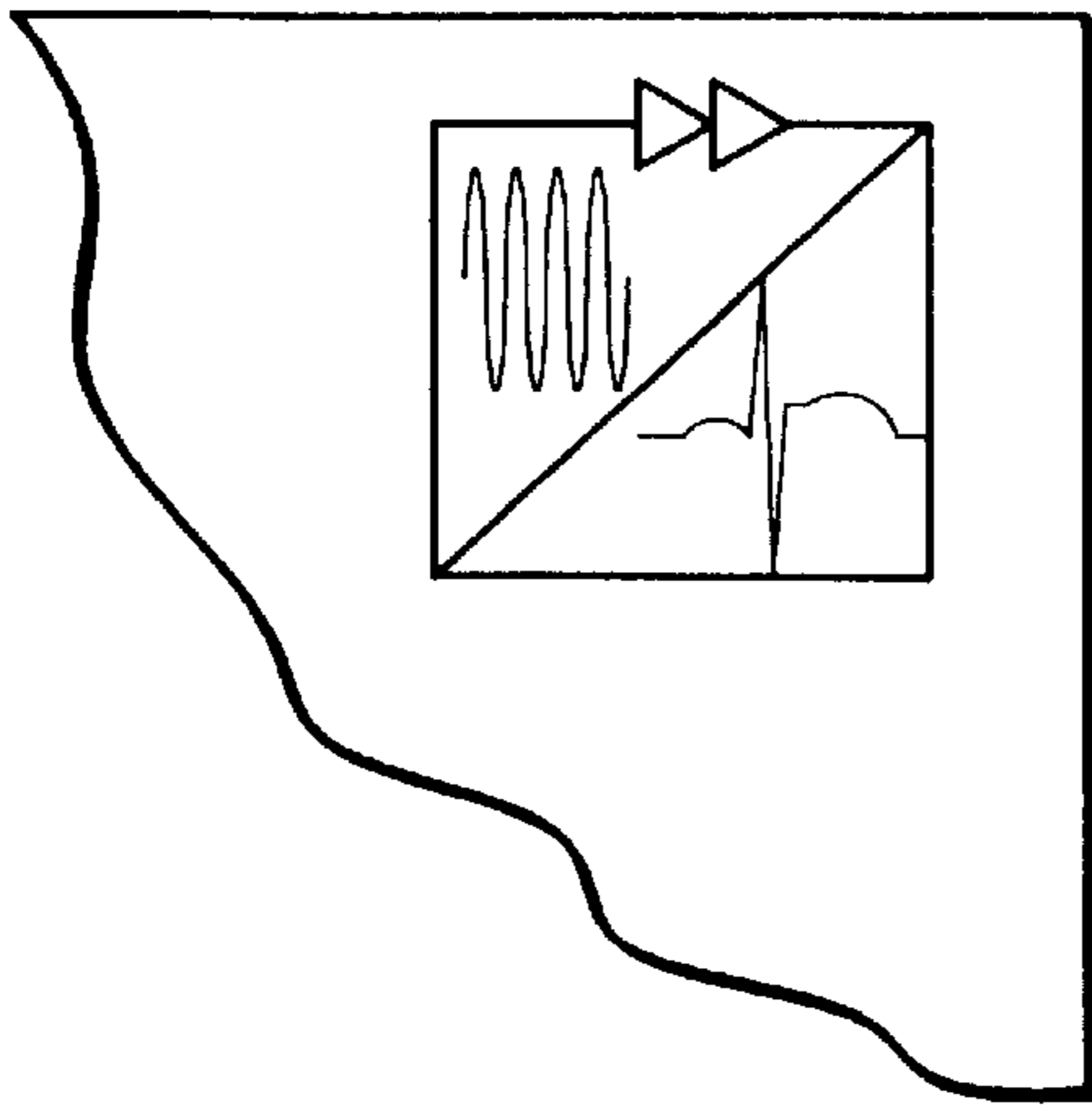


FIG. 3

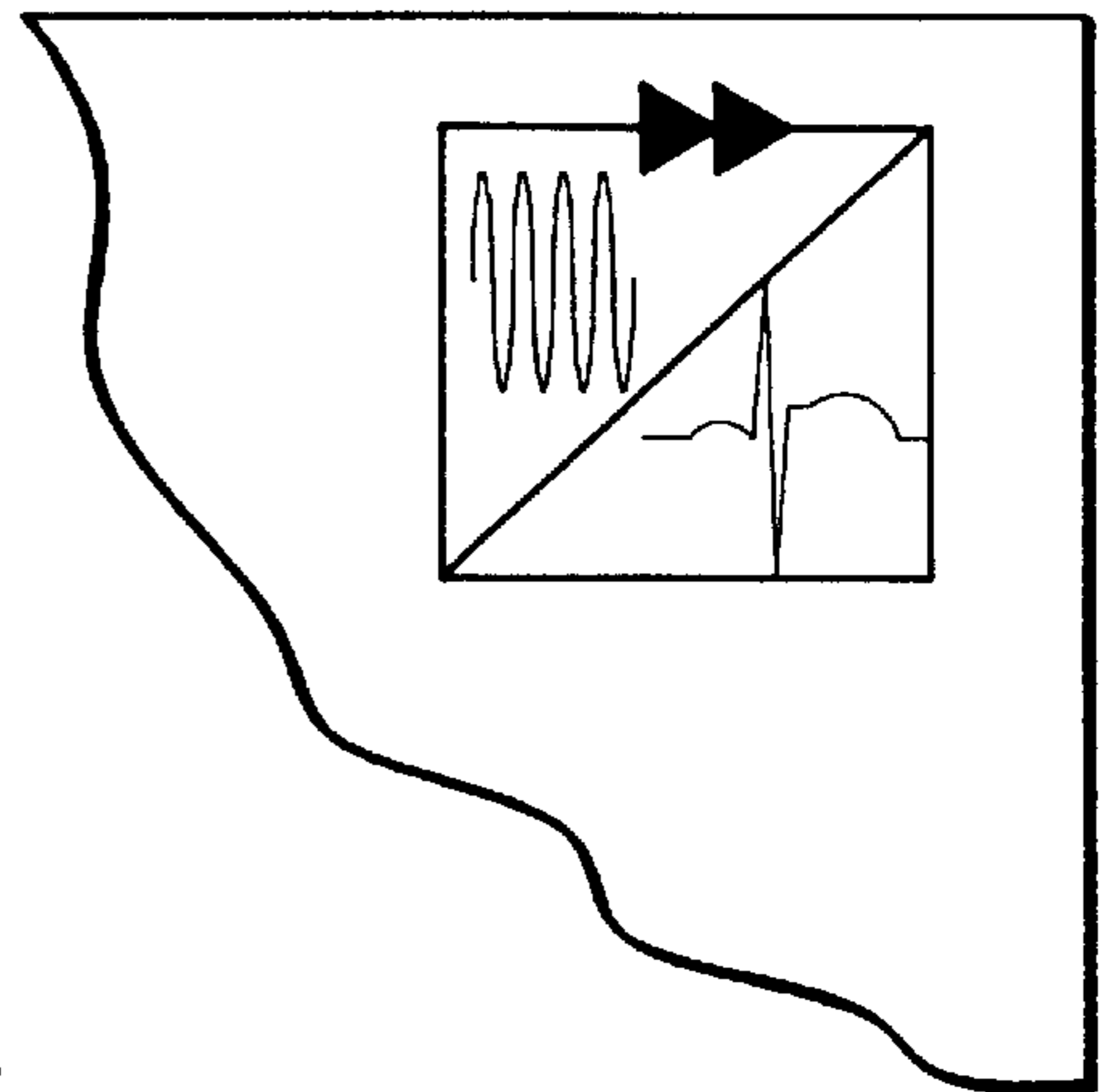


FIG. 4

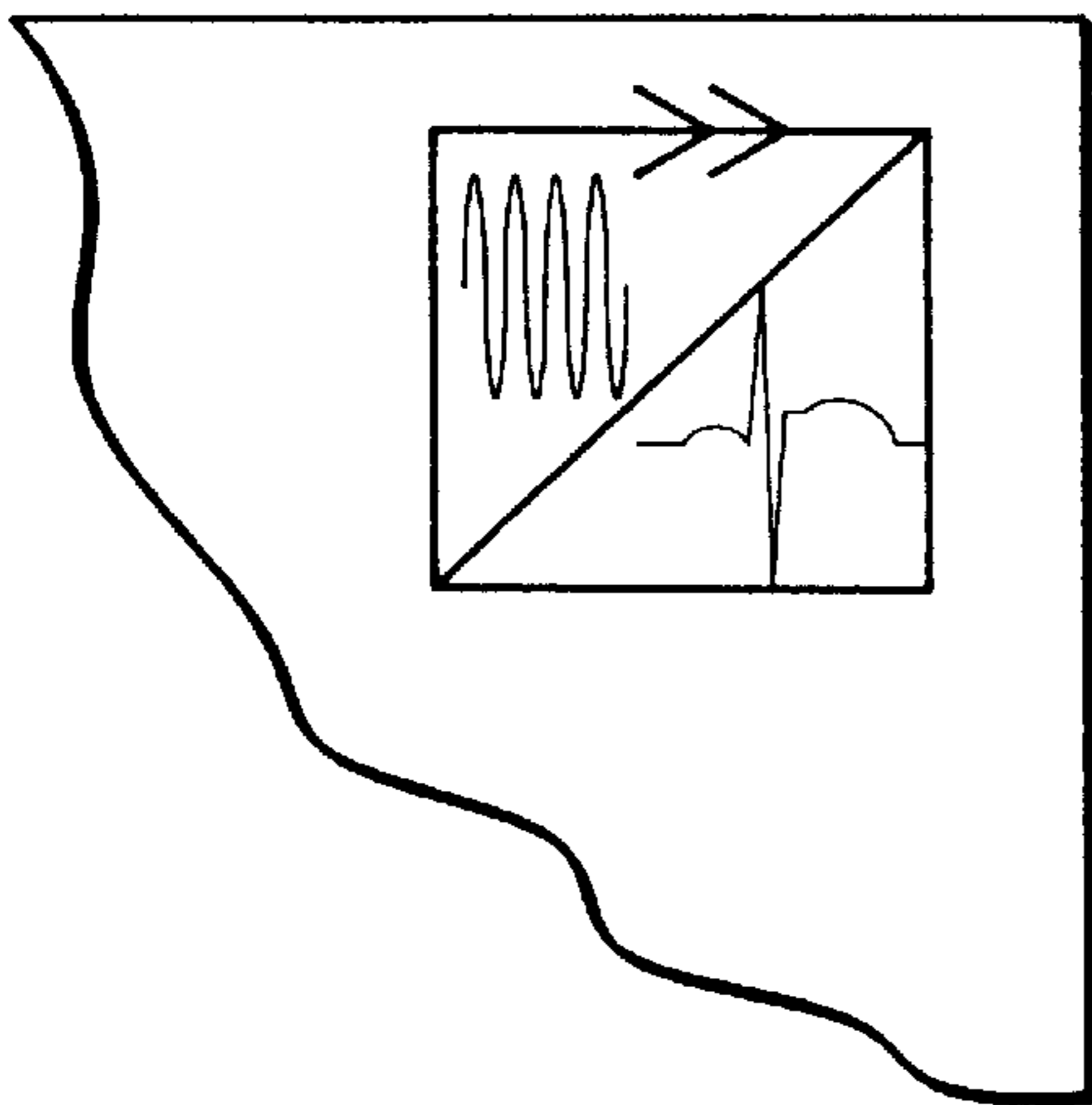


FIG. 5

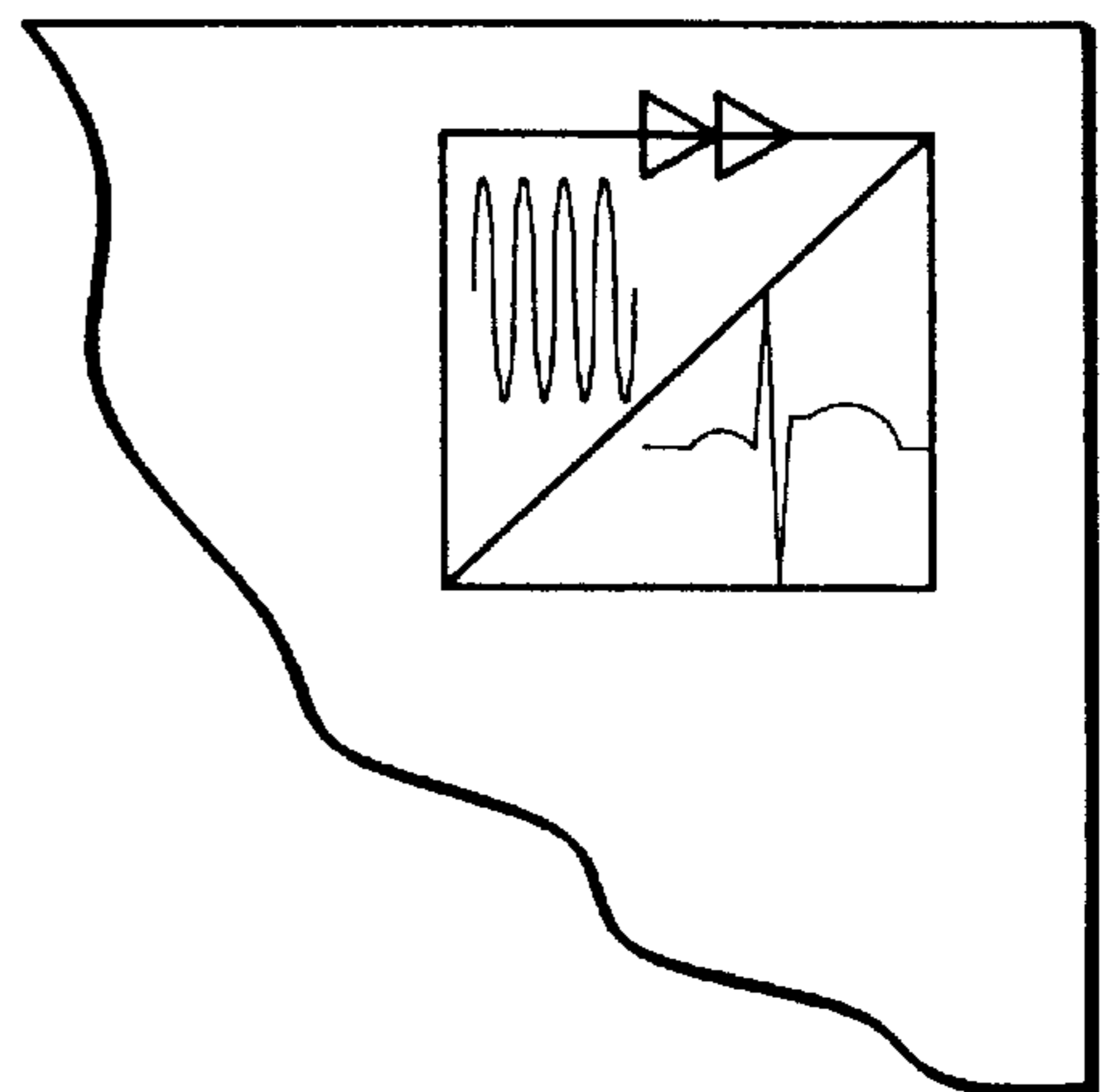


FIG. 6

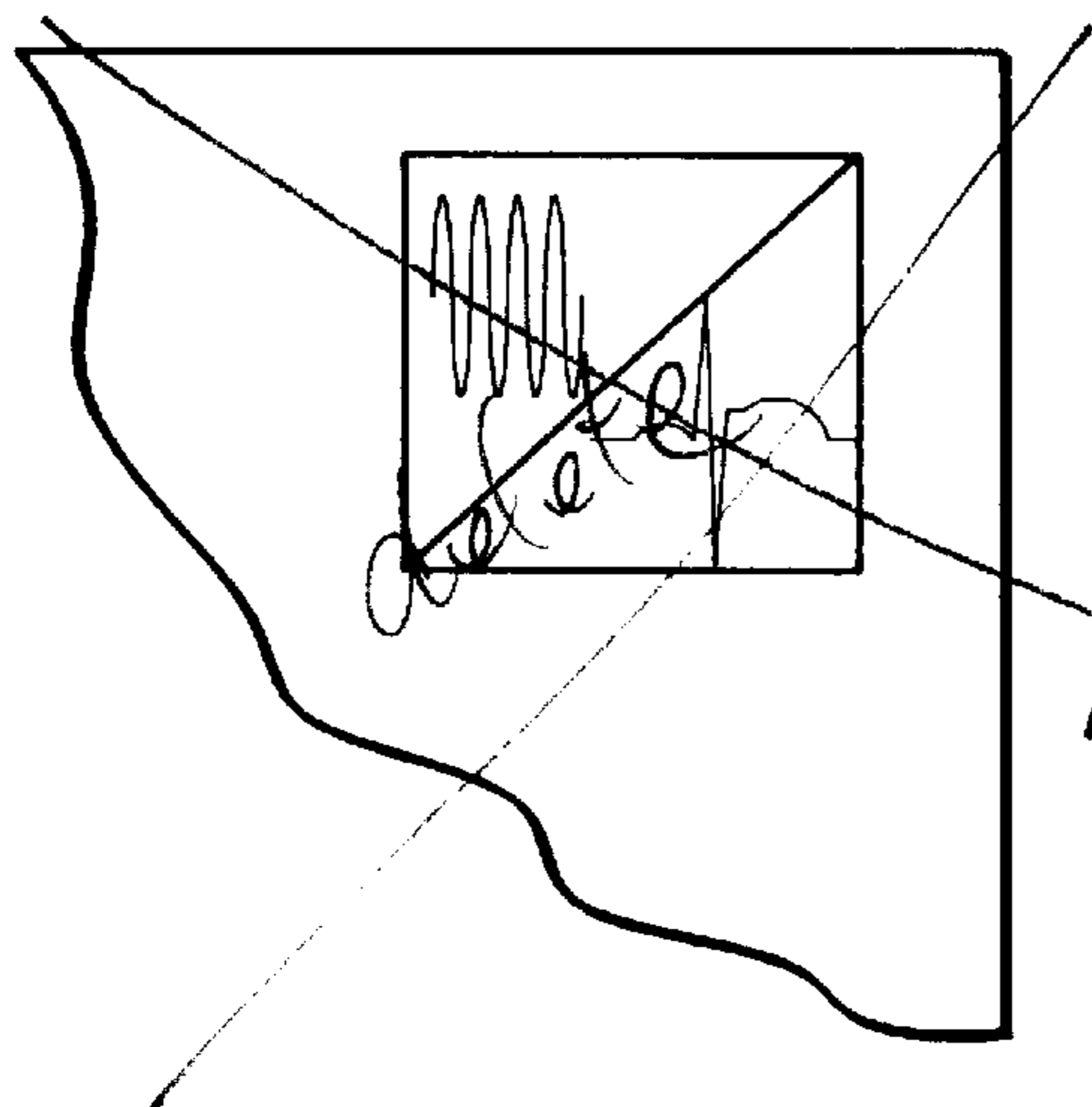


FIG. 7