



US00D397998S

# United States Patent [19] Ambroe

[11] **Patent Number: Des. 397,998**

[45] **Date of Patent: \*\*Sep. 8, 1998**

[54] **CLOSABLE DISPLAY DEVICE**

[76] Inventor: **Stanley Ambroe**, P.O. Box 274, Dunlo, Pa. 15930

[\*\*] Term: **14 Years**

[21] Appl. No.: **77,186**

[22] Filed: **Sep. 29, 1997**

[51] **LOC (6) Cl. .... 14-02**

[52] **U.S. Cl. .... D14/113; D14/100; D14/106; D19/26**

[58] **Field of Search .... D14/100, 106, D14/113, 115, 124-129; 345/104, 133, 156, 168, 173, 87, 901-905; 348/180, 184, 325, 739; 341/12; 248/918-924; D19/26; 40/544**

[56] **References Cited**

**U.S. PATENT DOCUMENTS**

D. 333,462 2/1993 Tyson ..... D14/113

D. 348,439 7/1994 Luong ..... D14/105  
D. 349,892 8/1994 Nakaizumi ..... D14/114  
D. 359,306 6/1995 Lande et al. .... D19/26  
D. 366,280 1/1996 Henderson ..... D19/52  
4,195,431 4/1980 Neufeld ..... 40/544

*Primary Examiner*—Freda Nunn  
*Attorney, Agent, or Firm*—David L. Volk

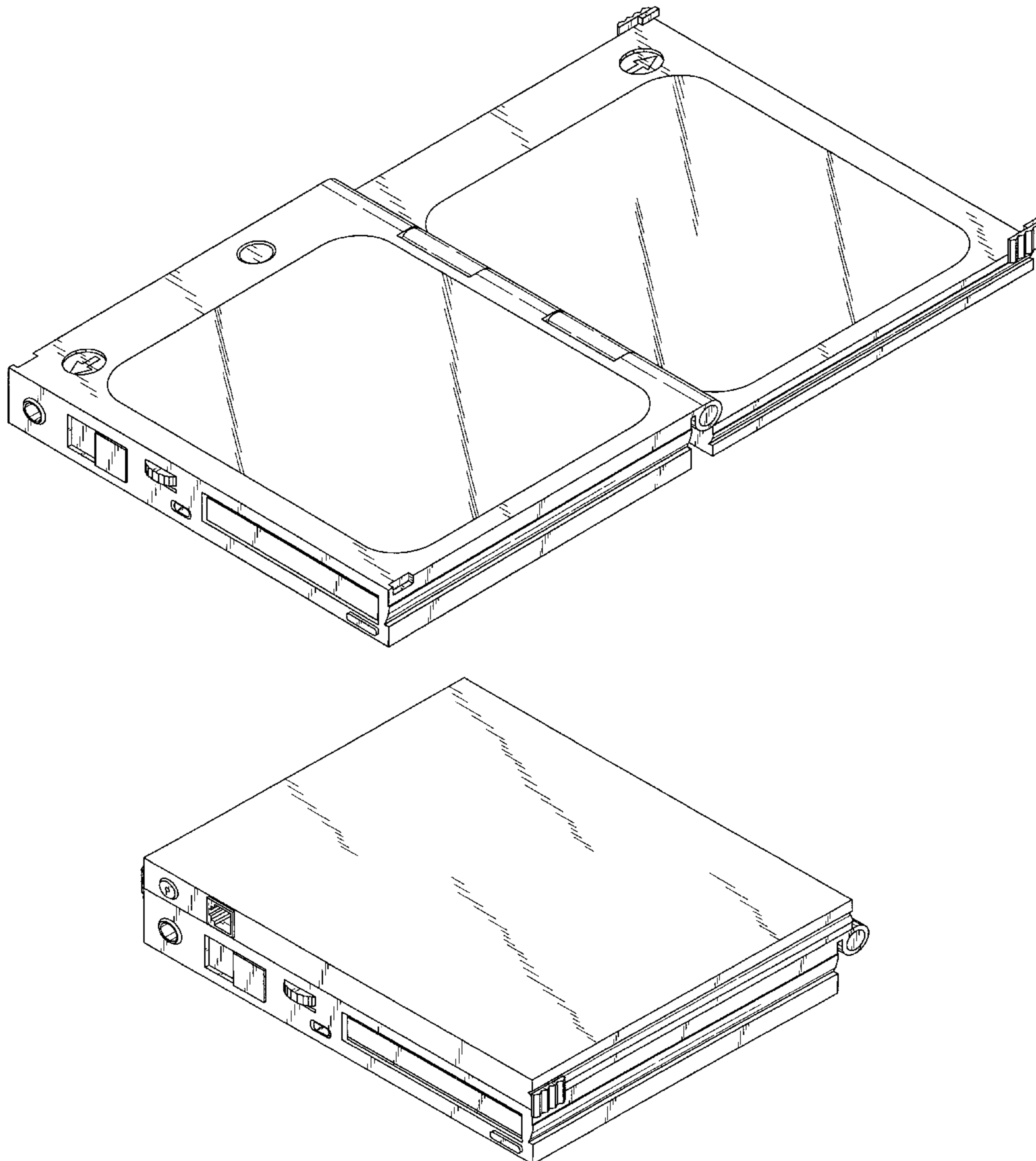
[57] **CLAIM**

The ornamental design for a closable display device, as shown and described.

**DESCRIPTION**

FIG. 1 is a front, top, right perspective view of a closable display device showing my new design; FIG. 2 is a left side elevational view thereof; FIG. 3 is a right side elevational view thereof; FIG. 4 is a front elevational view thereof; FIG. 5 is a rear elevational view thereof; FIG. 6 is a top plan view thereof; FIG. 7 is a bottom plan view thereof; and, FIG. 8 is a perspective view thereof, shown in a closed position undisclosed surfaces are plain and unornamented.

**1 Claim, 4 Drawing Sheets**



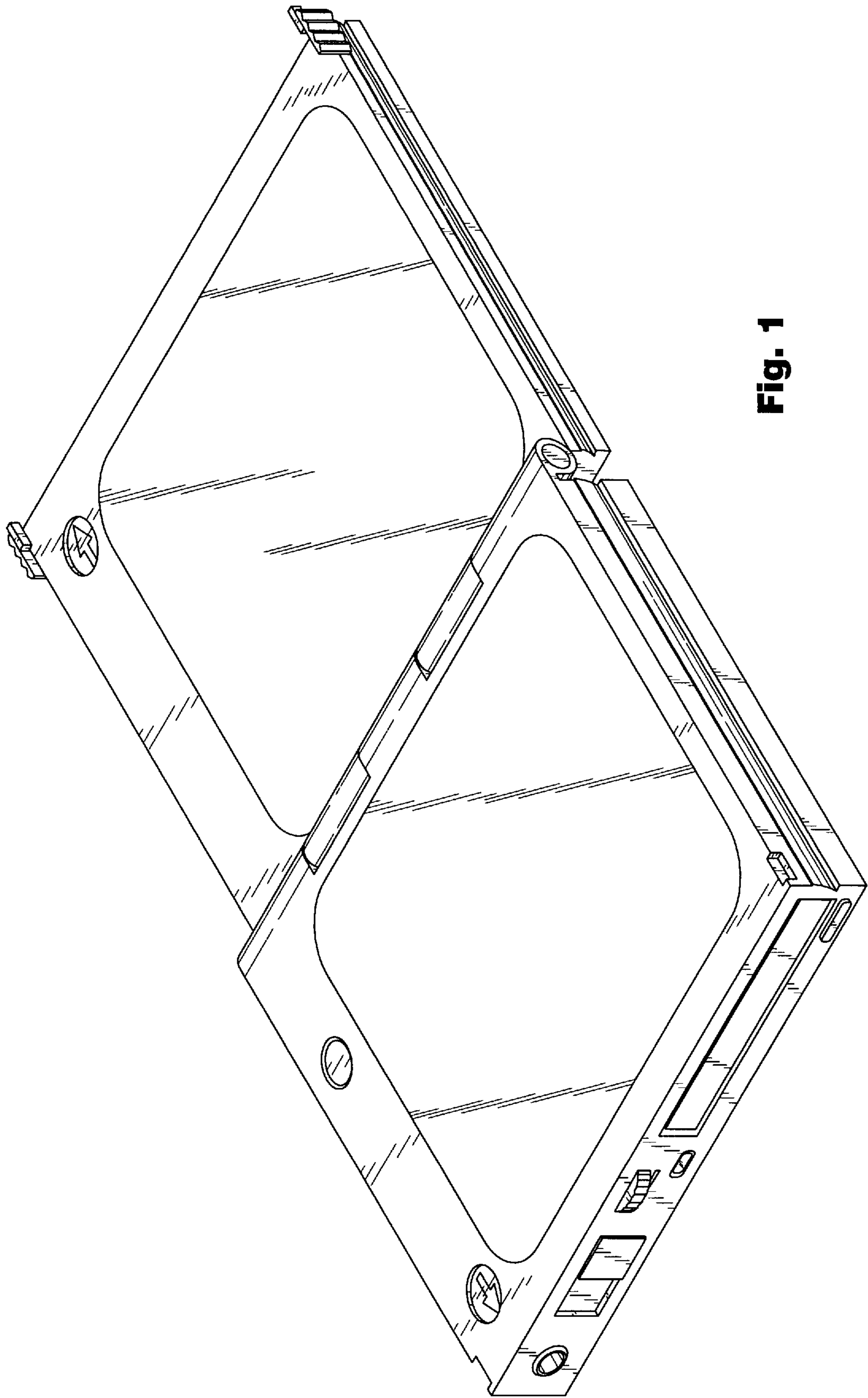
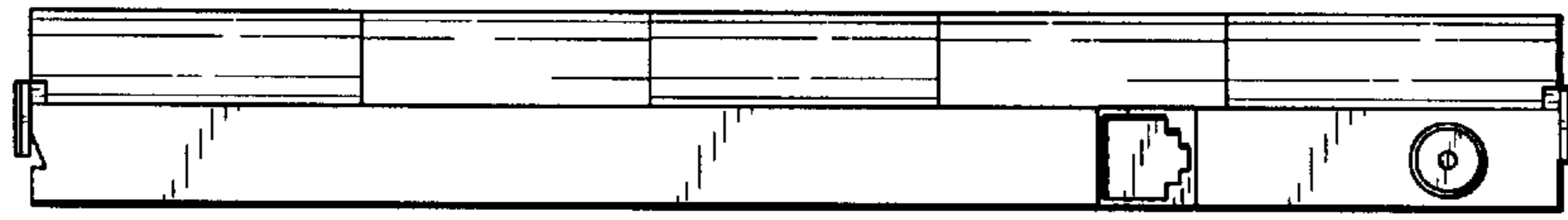
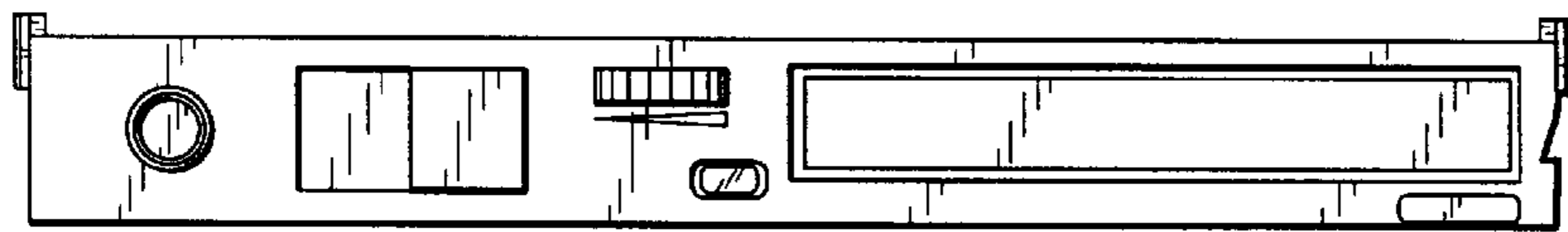


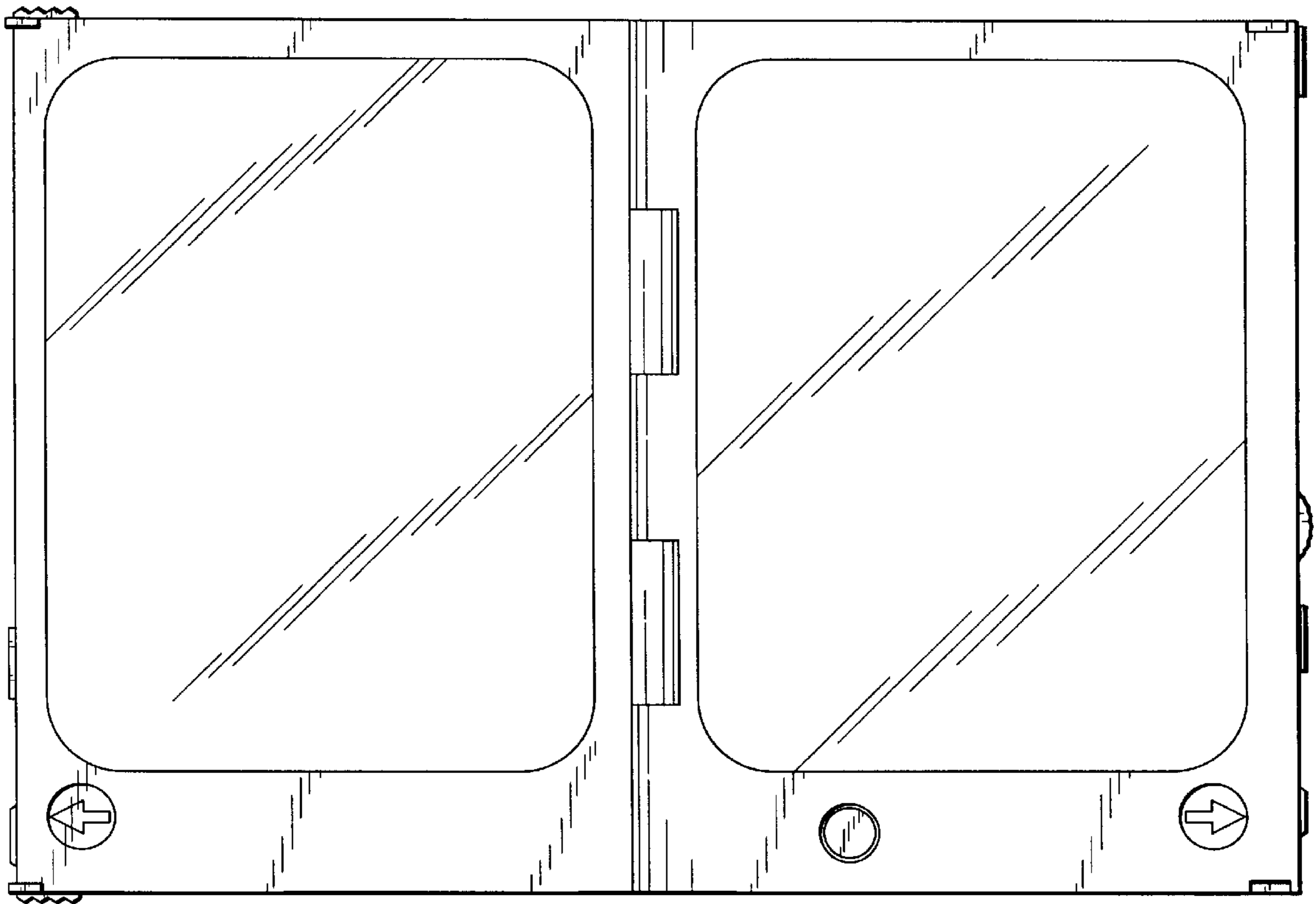
Fig. 1



**Fig. 2**



**Fig. 3**



**Fig. 4**

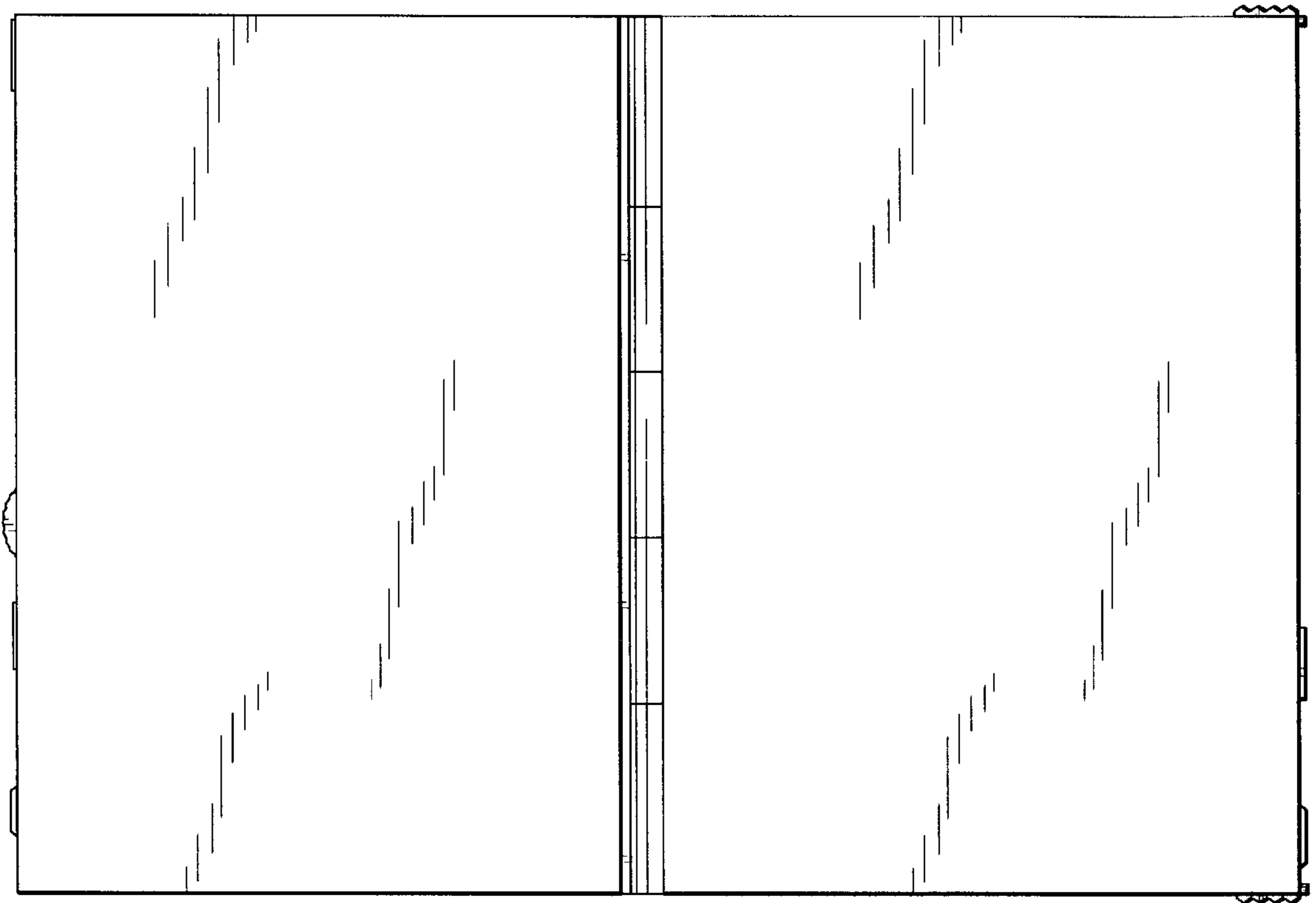


Fig. 5

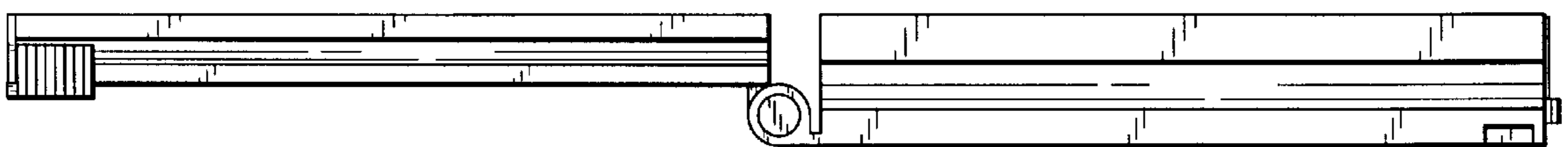


Fig. 6

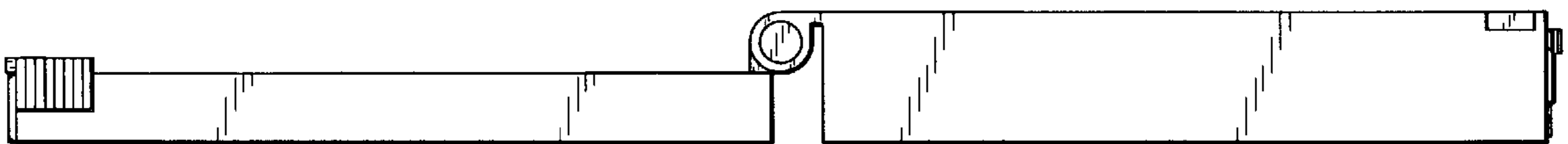
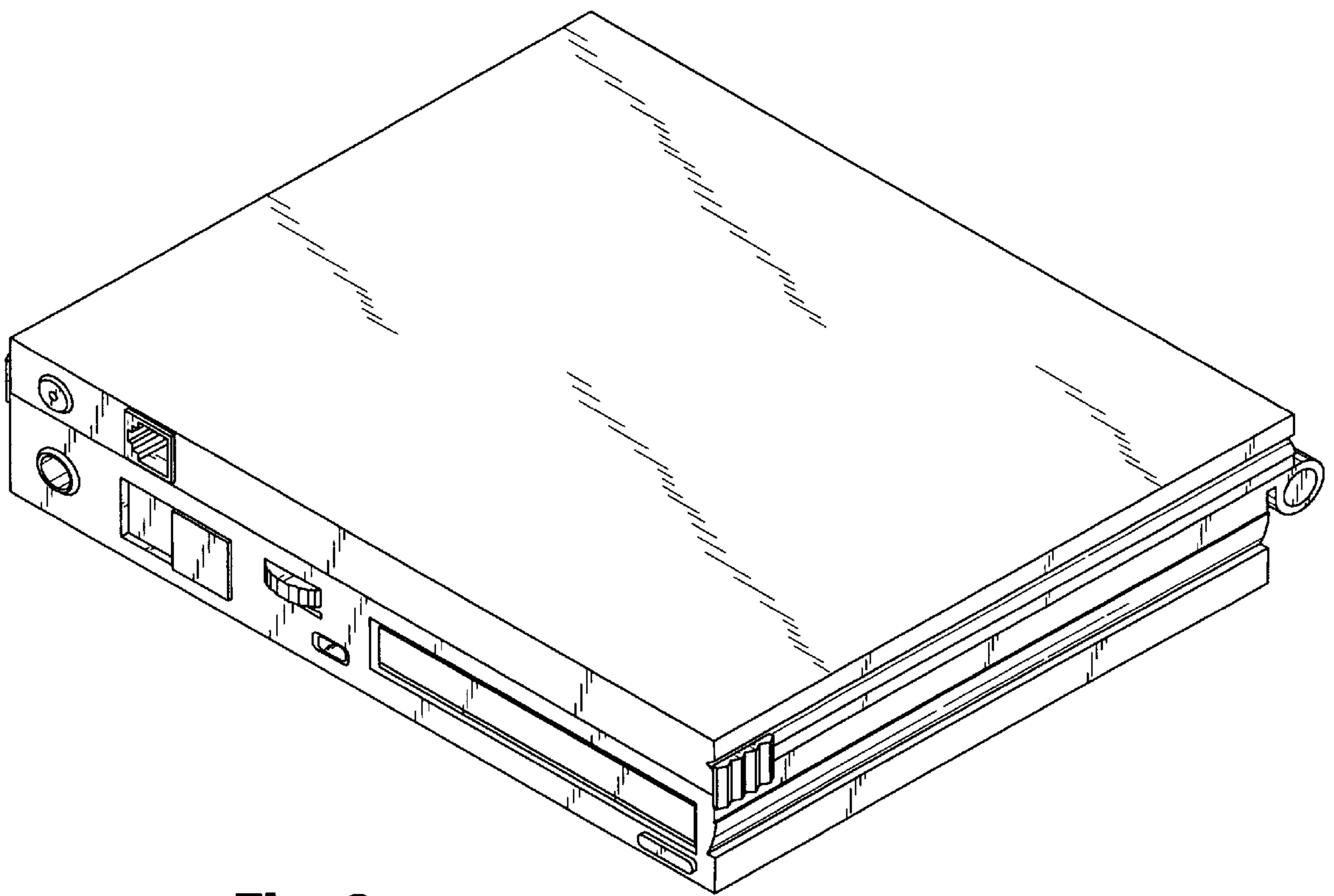


Fig. 7



**Fig. 8**