



US00D397991S

United States Patent [19]

Kawakami et al.

[11] **Patent Number: Des. 397,991**

[45] **Date of Patent: **Sep. 8, 1998**

[54] **BATTERY PACK**

D. 384,639 10/1997 Kawakami et al. D13/103
D. 387,728 12/1997 Kawakami et al. D13/103

[75] Inventors: **Takahide Kawakami; Norio Isoqai; Youichi Kato**, all of Anjo, Japan

Primary Examiner—Joel Sincavage
Attorney, Agent, or Firm—Dennison, Meserole, Pollack & Scheiner

[73] Assignee: **Makita Corporation**, Aichi-ken, Japan

[**] Term: **14 Years**

[57] CLAIM

[21] Appl. No.: **59,145**

The ornamental design for a battery pack, as shown and described.

[22] Filed: **Sep. 4, 1996**

DESCRIPTION

[51] **LOC (6) Cl.** **13-02**

[52] **U.S. Cl.** **D13/103**

[58] **Field of Search** D13/103; 429/96-100, 429/163, 176

FIG. 1 is a perspective view of a battery pack showing our new design;

FIG. 2 is a front elevational view thereof;

FIG. 3 is a rear elevational view thereof;

FIG. 4 is a left side elevational view thereof;

FIG. 5 is a right side elevational view thereof;

FIG. 6 is a top plan view thereof; and,

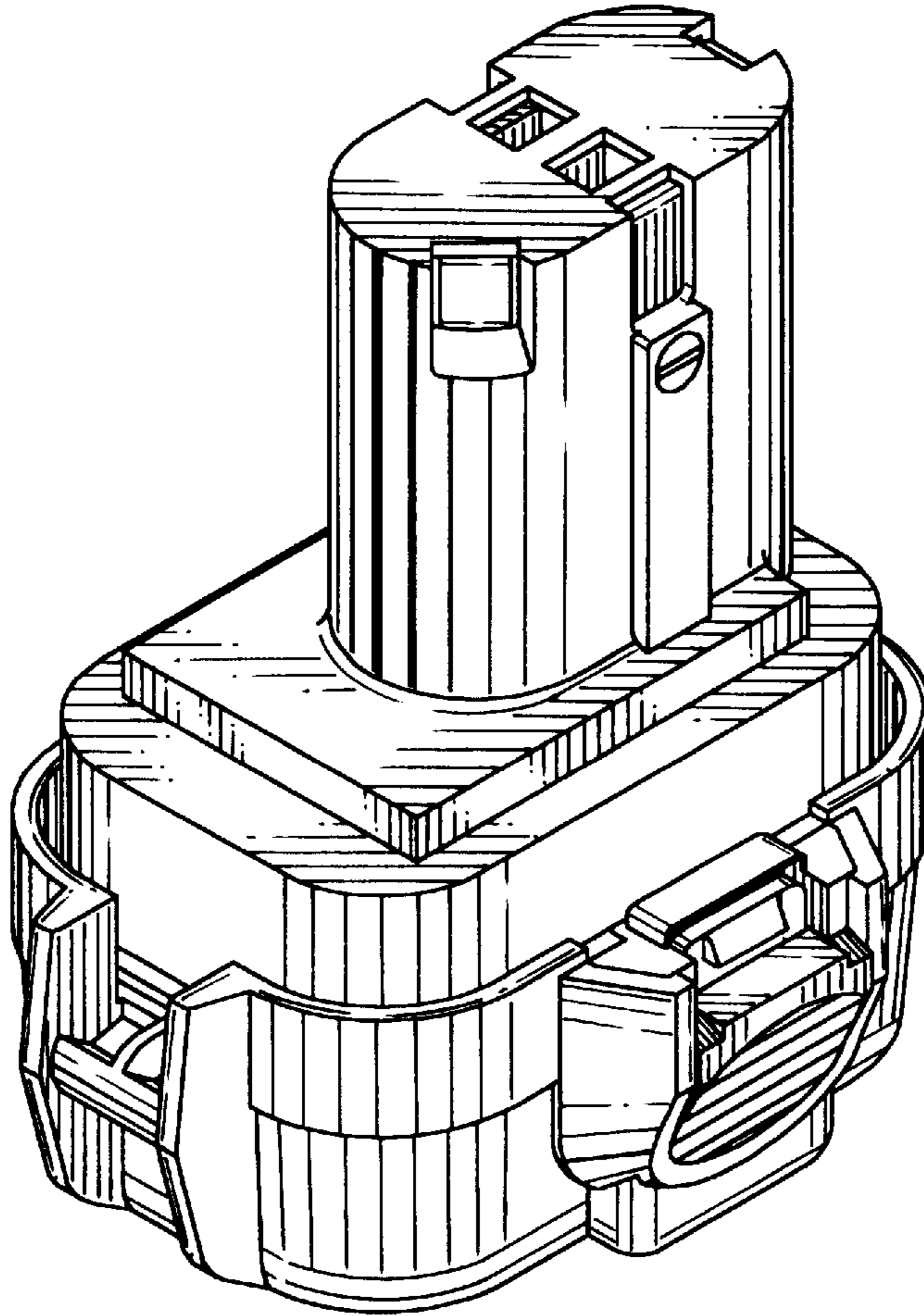
FIG. 7 is a bottom plan view thereof.

[56] References Cited

U.S. PATENT DOCUMENTS

D. 304,822 11/1989 Fushiya et al. D13/103
D. 342,479 12/1993 Kimata D13/103
D. 350,111 8/1994 Okumura D13/103

1 Claim, 4 Drawing Sheets



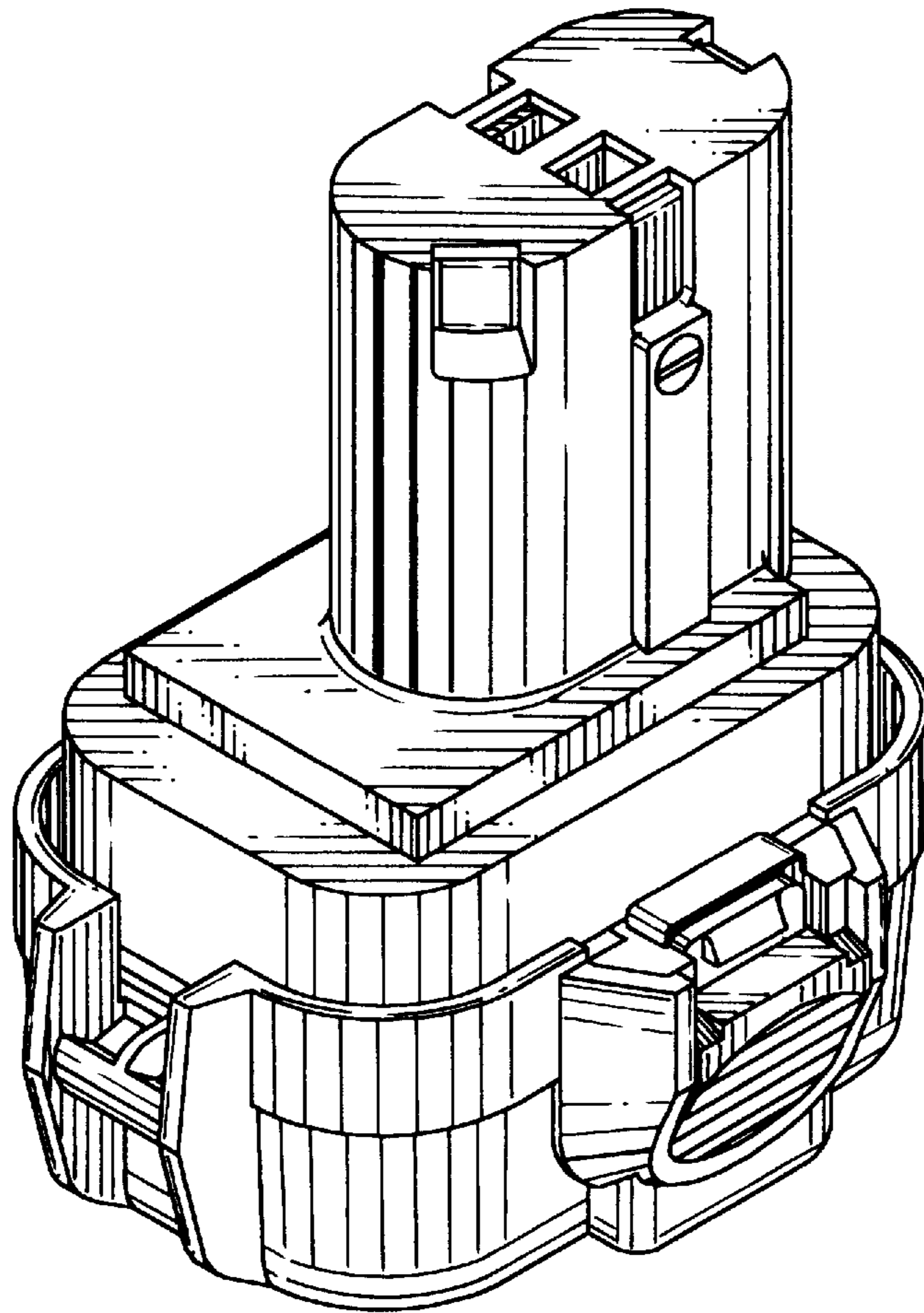


FIG. 1

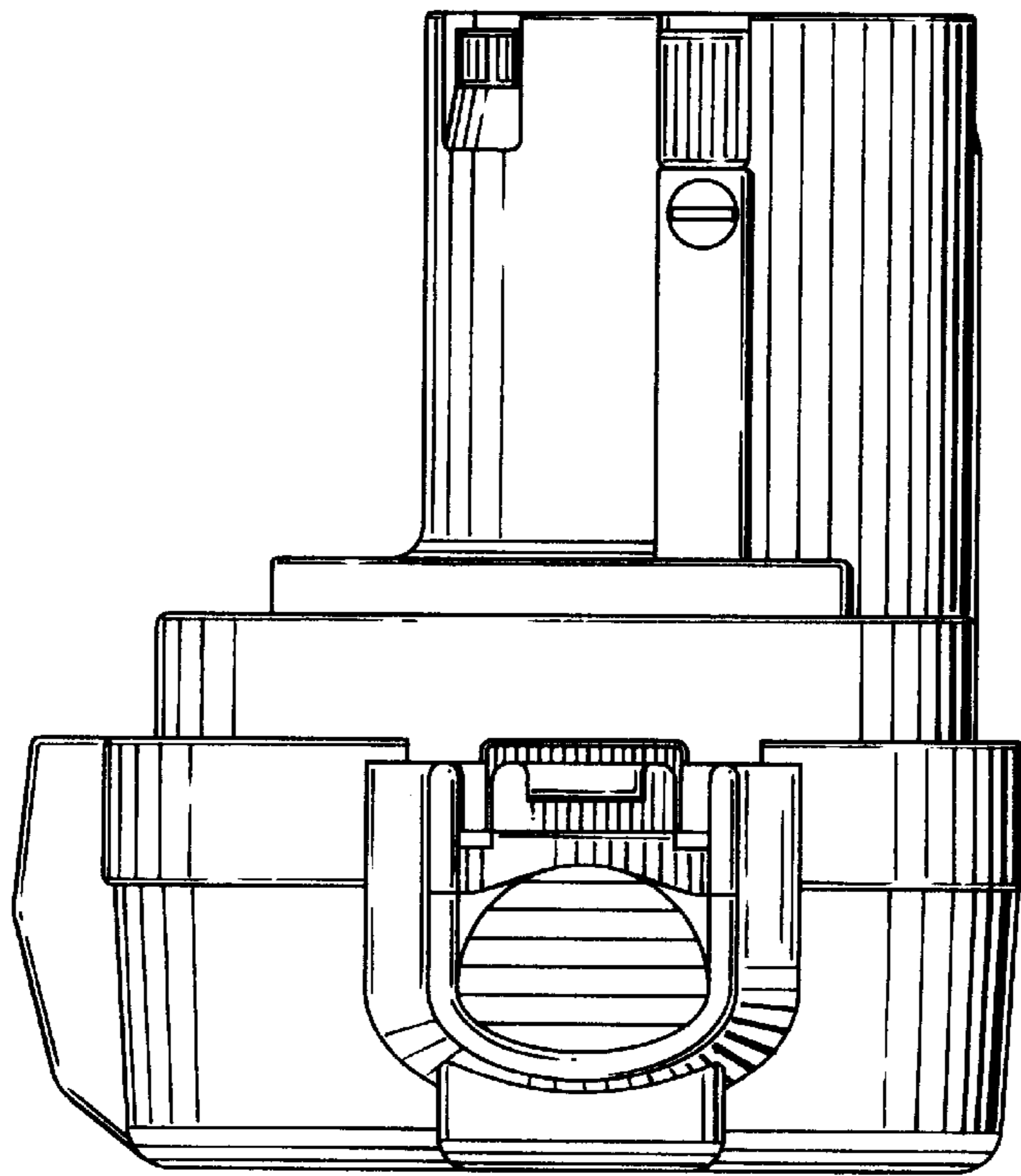


FIG. 2

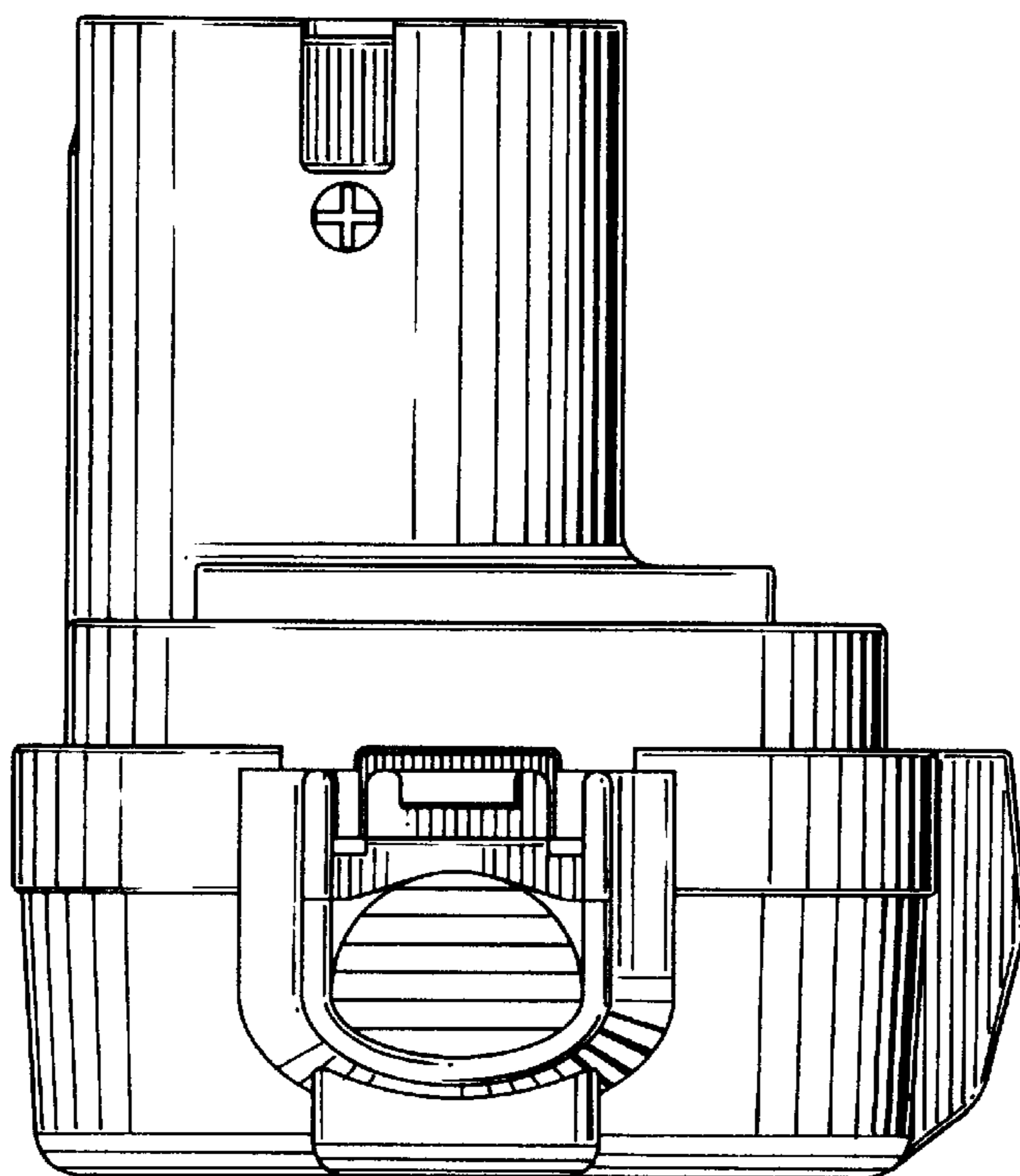


FIG. 3

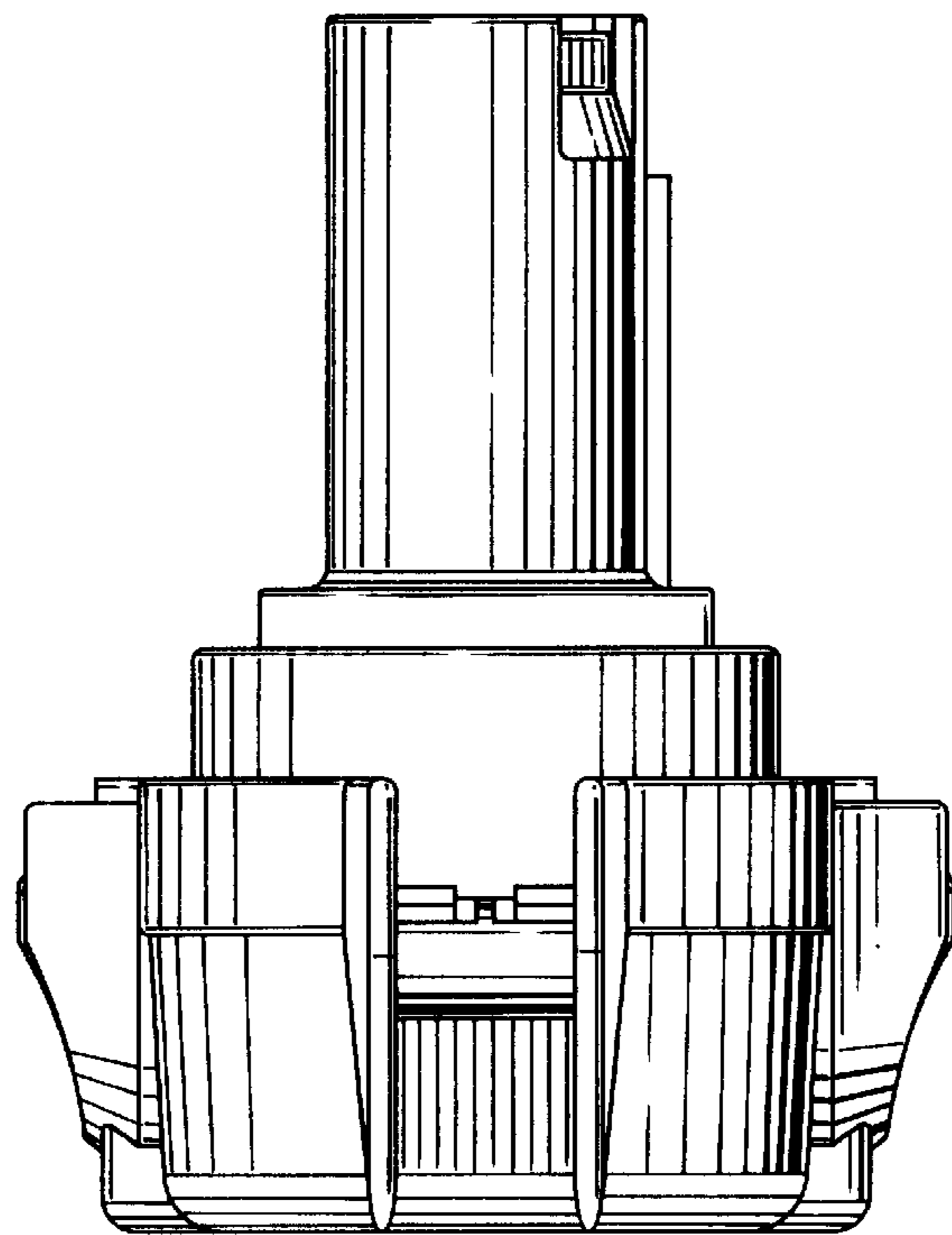


FIG. 4

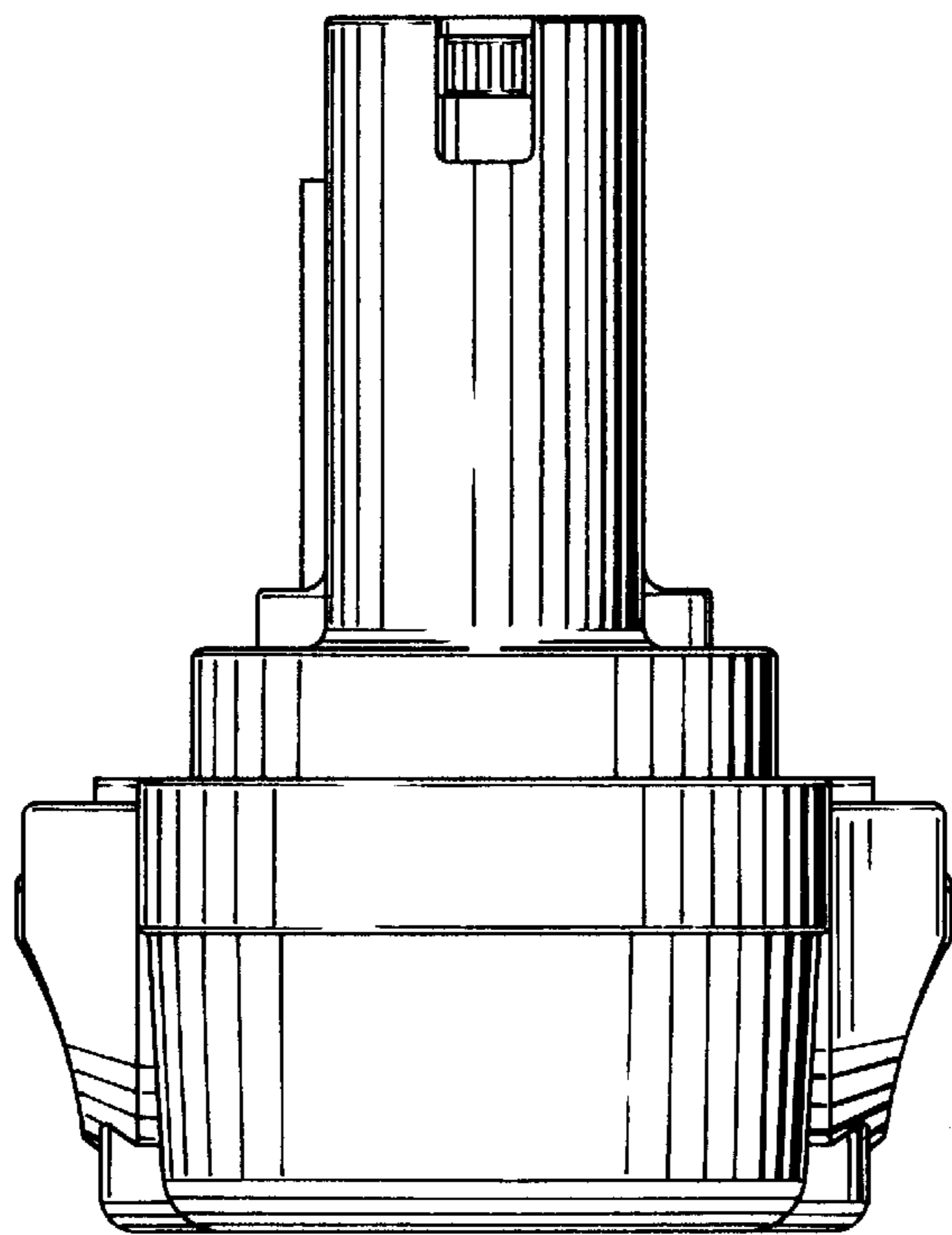


FIG. 5

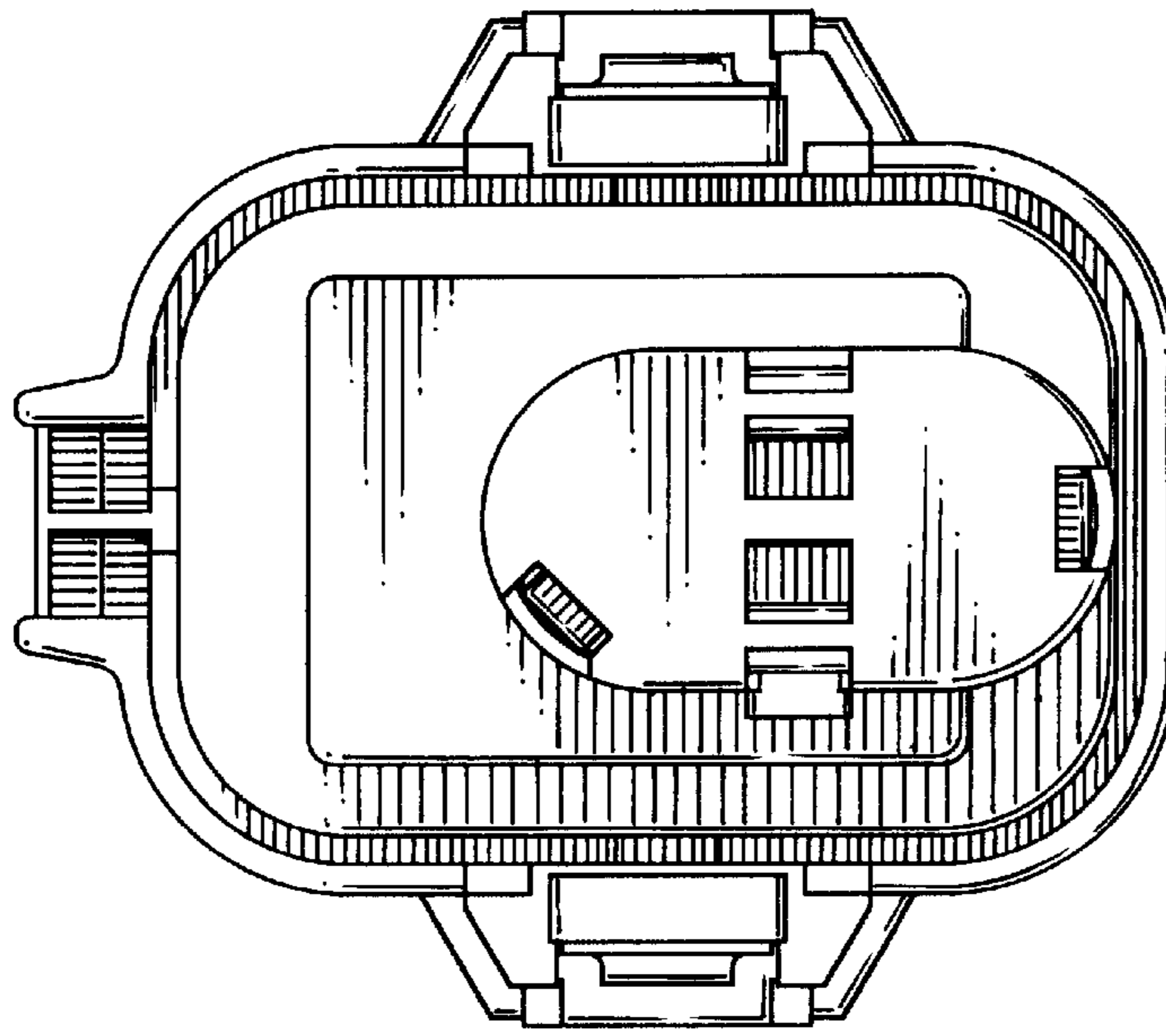


FIG. 6

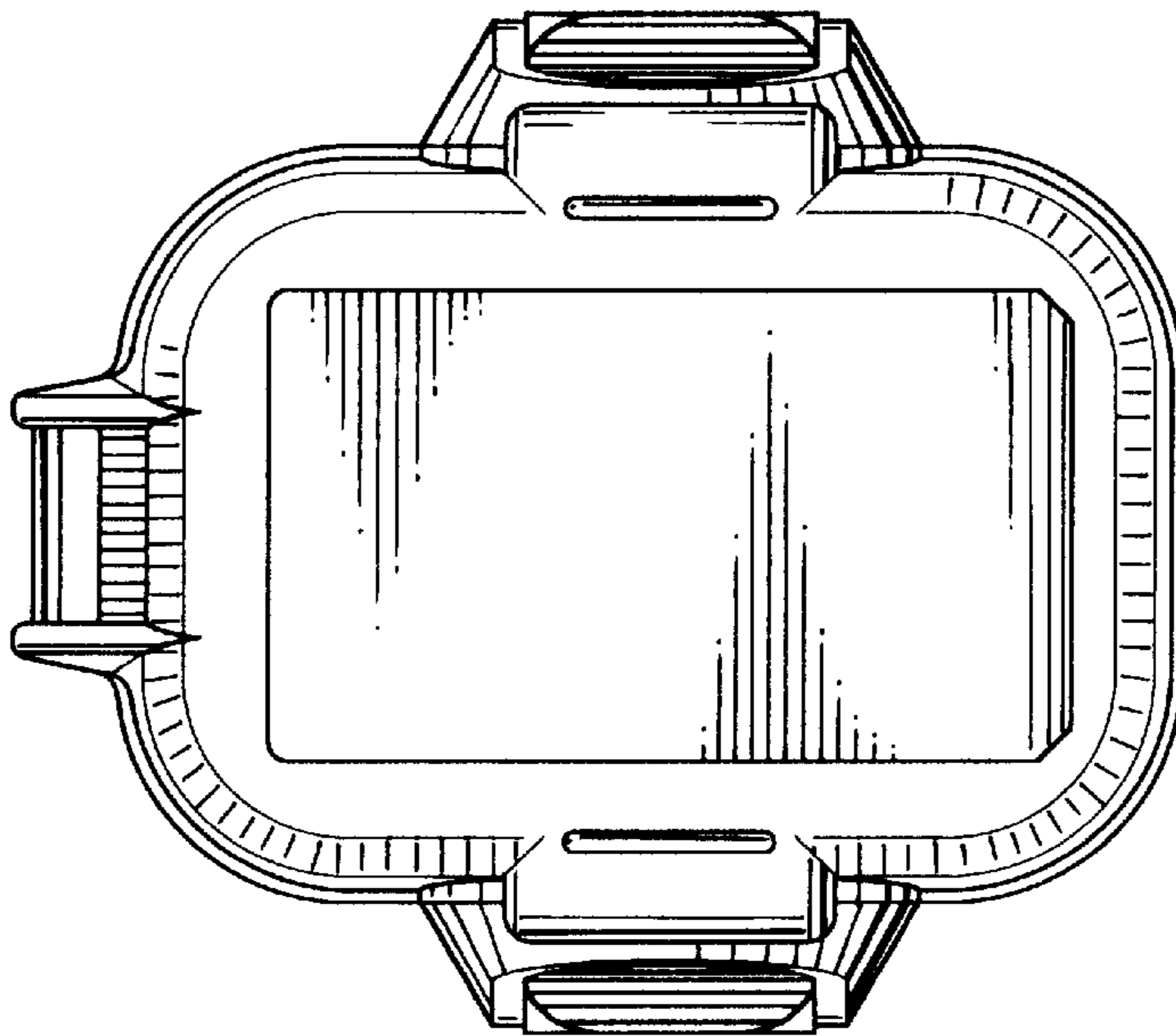


FIG. 7

UNITED STATES PATENT AND TRADEMARK OFFICE
CERTIFICATE OF CORRECTION

PATENT NO. : Des. 397,991
DATED : September 8, 1998
INVENTOR(S) : Takahide KAWAKAMI ET AL

It is certified that error appears in the above-identified patent and that said Letters Patent is hereby corrected as shown below:

The title page at [75] should read:

--Inventors: Takahide, Kawakami; Norio Isogai;
Youichi Kato, all of Anjo, Japan--

Signed and Sealed this
Twenty-fourth Day of November, 1998

Attest:



BRUCE LEHMAN

Attesting Officer

Commissioner of Patents and Trademarks