



US00D397990S

United States Patent [19]

Fukuhara et al.

[11] **Patent Number: Des. 397,990**

[45] **Date of Patent: **Sep. 8, 1998**

[54] **ROOF PLATE WITH SOLAR BATTERY**

4,300,535 11/1981 Monroe 126/621 X
4,718,404 1/1988 Sadler 126/621 X

[75] Inventors: **Tadashi Fukuhara**, Fukaya; **Katsuji Mukai**, Kumagaya; **Kimitoshi Fukae**, Nara; **Yuji Inoue**, Nara; **Masahiro Mori**, Nara, all of Japan

Primary Examiner—Antoine Duval Davis
Attorney, Agent, or Firm—Fitzpatrick, Cella, Harper & Scinto

[73] Assignees: **Canon Kabushiki Kaisha**; **Sanko Metal Industrial Co., Ltd.**, both of Tokyo, Japan

[57] **CLAIM**

The ornamental design for a roof plate with solar battery, as shown and described.

[**] Term: **14 Years**

DESCRIPTION

[21] Appl. No.: **44,647**

FIG. 1 is a front elevational view of a roof plate with solar battery showing our new design;

[22] Filed: **Sep. 28, 1995**

FIG. 2 is a rear elevational view thereof;

[30] **Foreign Application Priority Data**

Mar. 31, 1995 [JP] Japan 7-8897

FIG. 3 is a right side elevational view thereof;

[51] **LOC (6) Cl.** **13-02**

FIG. 4 is a top plan view thereof;

[52] **U.S. Cl.** **D13/102**

FIG. 5 is a bottom plan view thereof;

[58] **Field of Search** D13/102; D25/52; 52/200; 126/621, 622, 623, 635, 704

FIG. 6 is a perspective view seen from front left side of top plan thereof; and,

FIG. 7 is a perspective view seen from rear right side of bottom plan thereof.

[56] **References Cited**

U.S. PATENT DOCUMENTS

4,237,866 12/1980 Rush 126/635

1 Claim, 5 Drawing Sheets

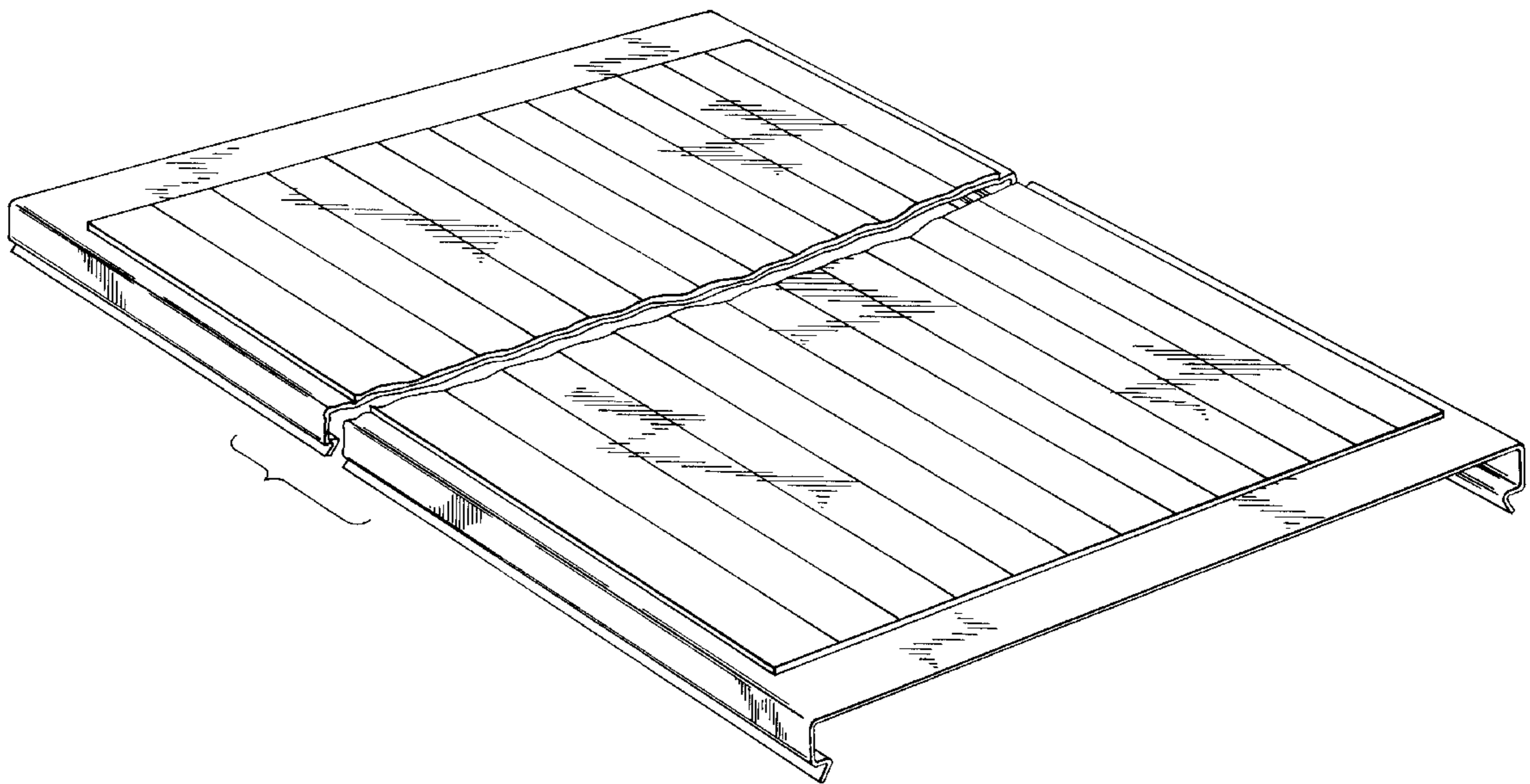


FIG. 1

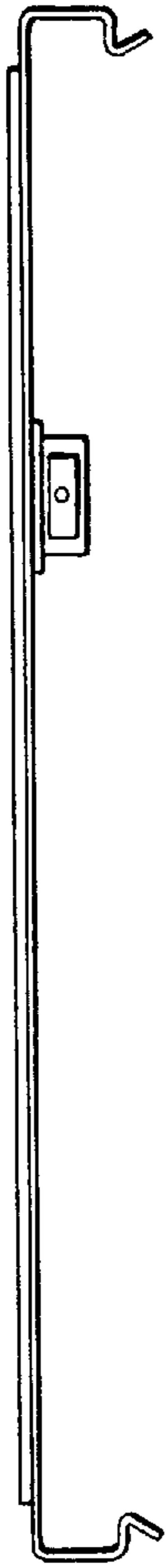


FIG. 2

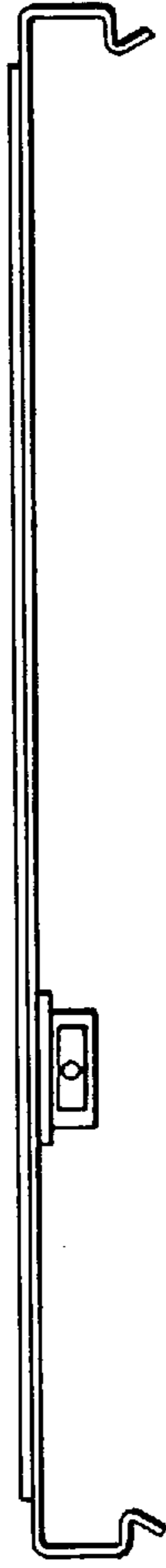


FIG. 3

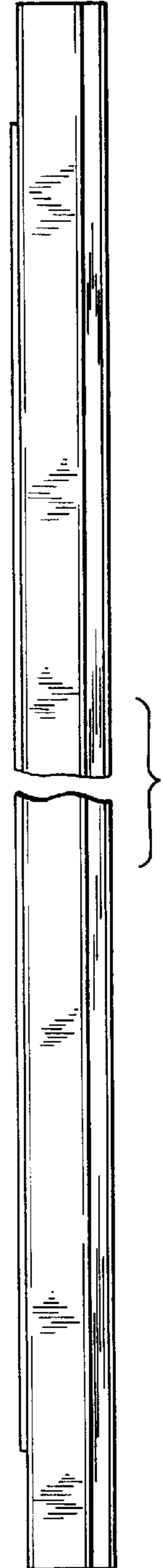


FIG. 4

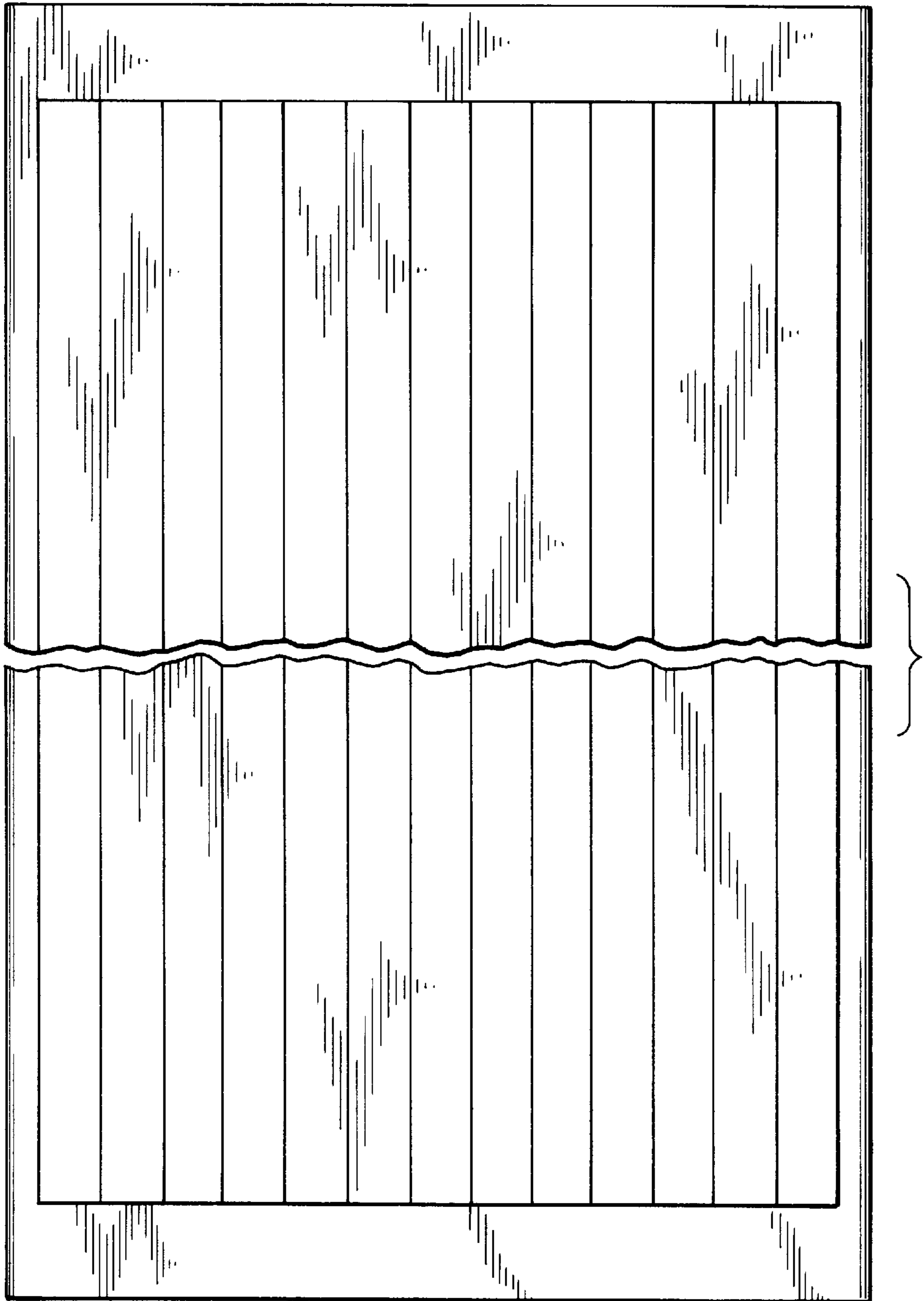


FIG. 5

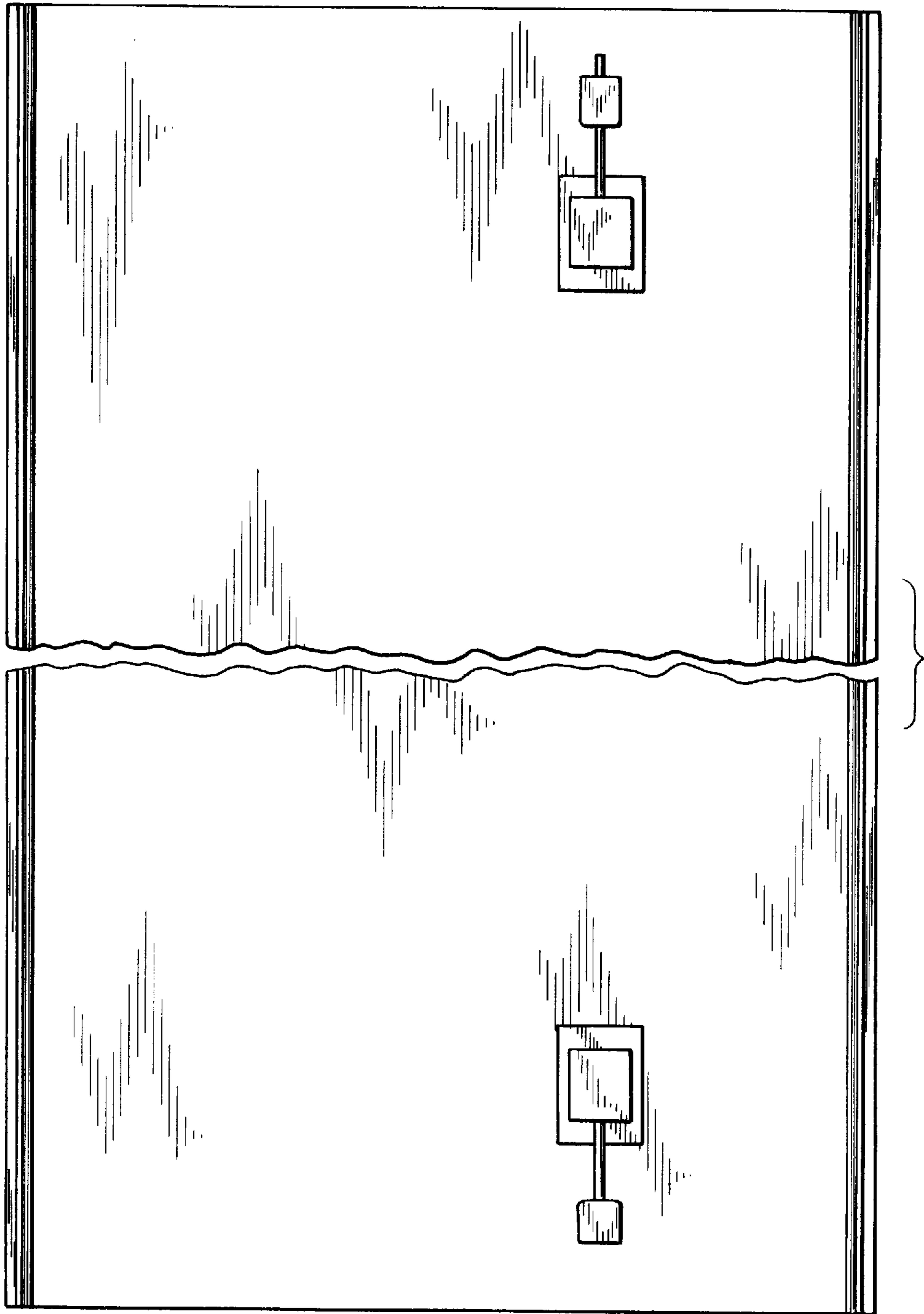


FIG. 6

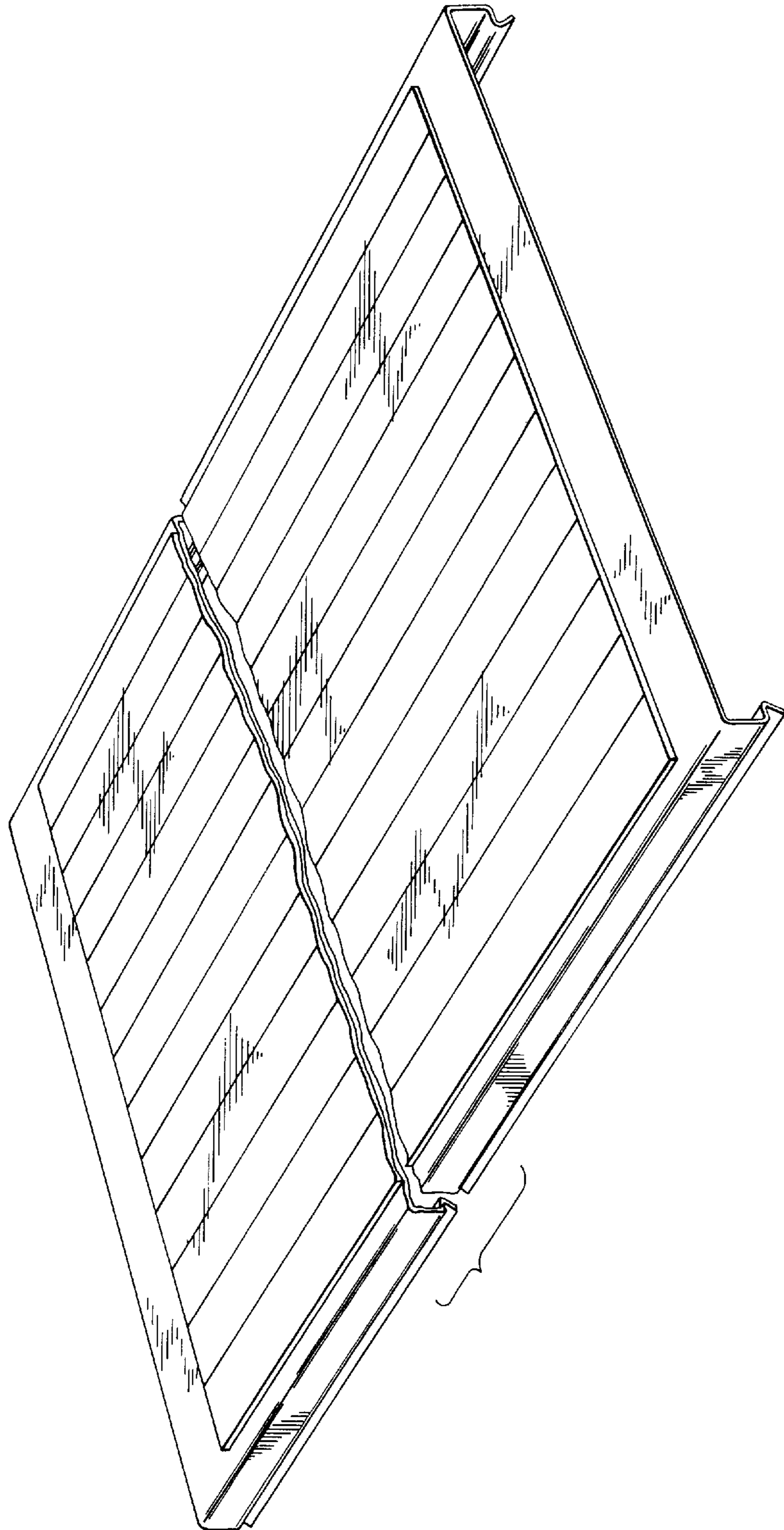


FIG. 7

