



US00D397987S

United States Patent [19]
Anderson

[11] **Patent Number: Des. 397,987**

[45] **Date of Patent: **Sep. 8, 1998**

[54] **AGRICULTURAL CHEMICAL APPLICATION VESSEL**

4,772,237 9/1988 Zalkauskas 440/96

Primary Examiner—Kay H. Chin

[76] Inventor: **James F. Anderson**, 3941 24th St. SE.,
Ruskin, Fla. 33570

[57] **CLAIM**

[**] Term: **14 Years**

The ornamental design for an agricultural chemical application vessel, as shown and described.

[21] Appl. No.: **72,787**

DESCRIPTION

[22] Filed: **Jun. 30, 1997**

FIG. 1 is a top plan view of an agricultural chemical application vessel showing my new design;
FIG. 2 is a left side elevational view thereof, the right side view being a mirror image of that shown;
FIG. 3 is a bottom plan view thereof;
FIG. 4 is a front elevational view thereof;
FIG. 5 is a rear elevational view thereof;
FIG. 6 is a top plan view thereof with the injection mechanism in the working position;
FIG. 7 is a left side elevational view of FIG. 6, the right side view being a mirror image of that shown;
FIG. 8 is a bottom plan view of FIG. 6;
FIG. 9 is a front elevational view of FIG. 6; and,
FIG. 10 is a rear elevational view of FIG. 6.

[51] **LOC (6) Cl.** **12-06**

[52] **U.S. Cl.** **D12/306; D12/300**

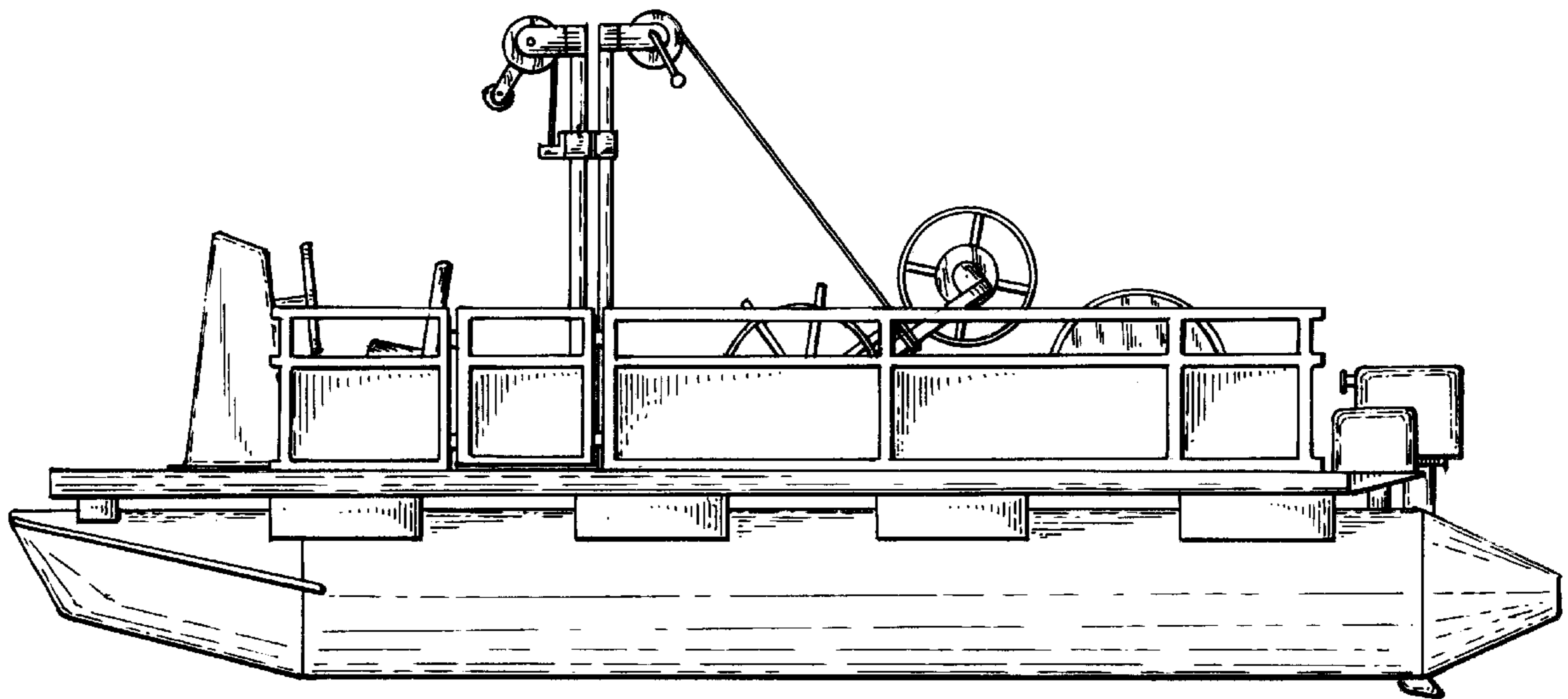
[58] **Field of Search** D12/300-318;
114/355, 357, 283, 56, 61, 290, 288, 289,
291; 441/43, 45, 59; 47/9; 111/91, 128,
200

[56] **References Cited**

U.S. PATENT DOCUMENTS

D. 96,906	9/1935	Custer	D12/306
D. 196,014	8/1963	Wells	D12/306
D. 268,106	3/1983	Feiger et al.	D12/310
D. 290,351	6/1987	Caddick	D12/300
2,287,706	6/1942	Perry	D12/306 X

1 Claim, 8 Drawing Sheets



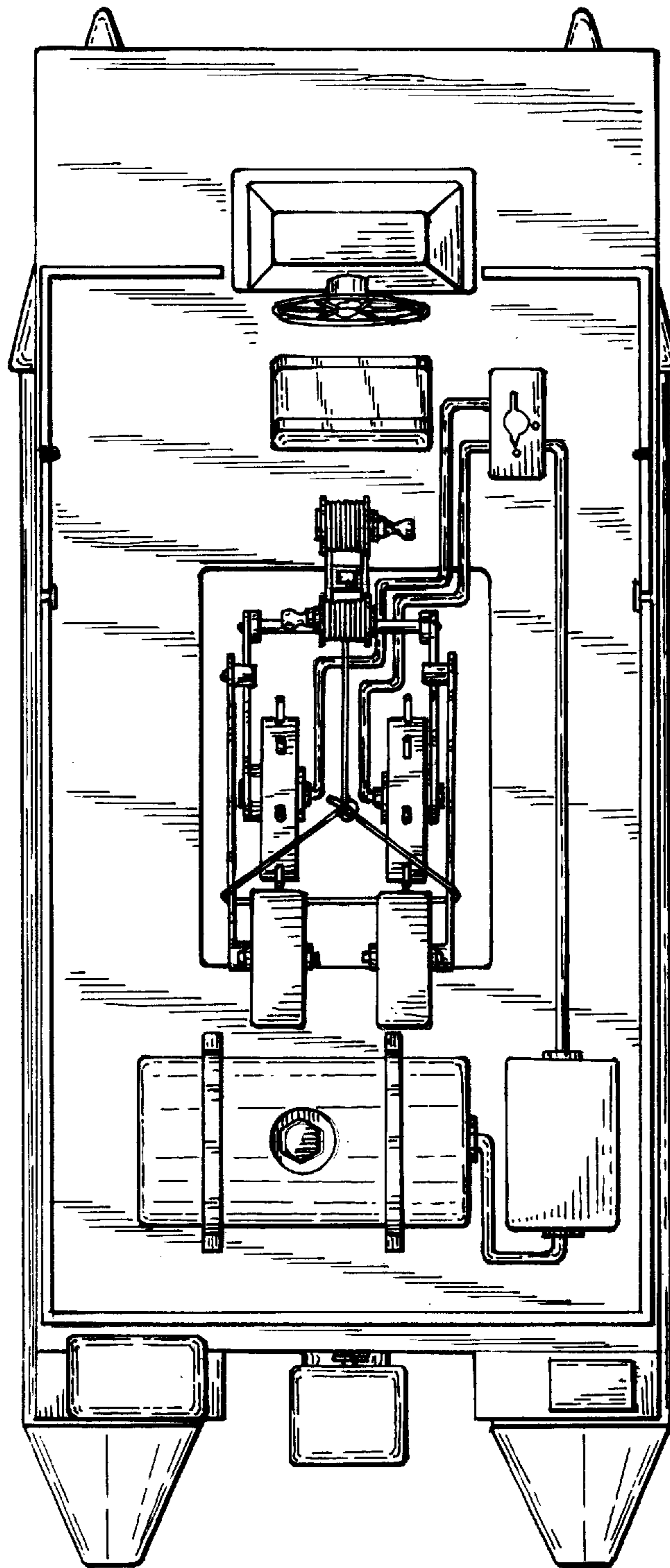


FIG. 1

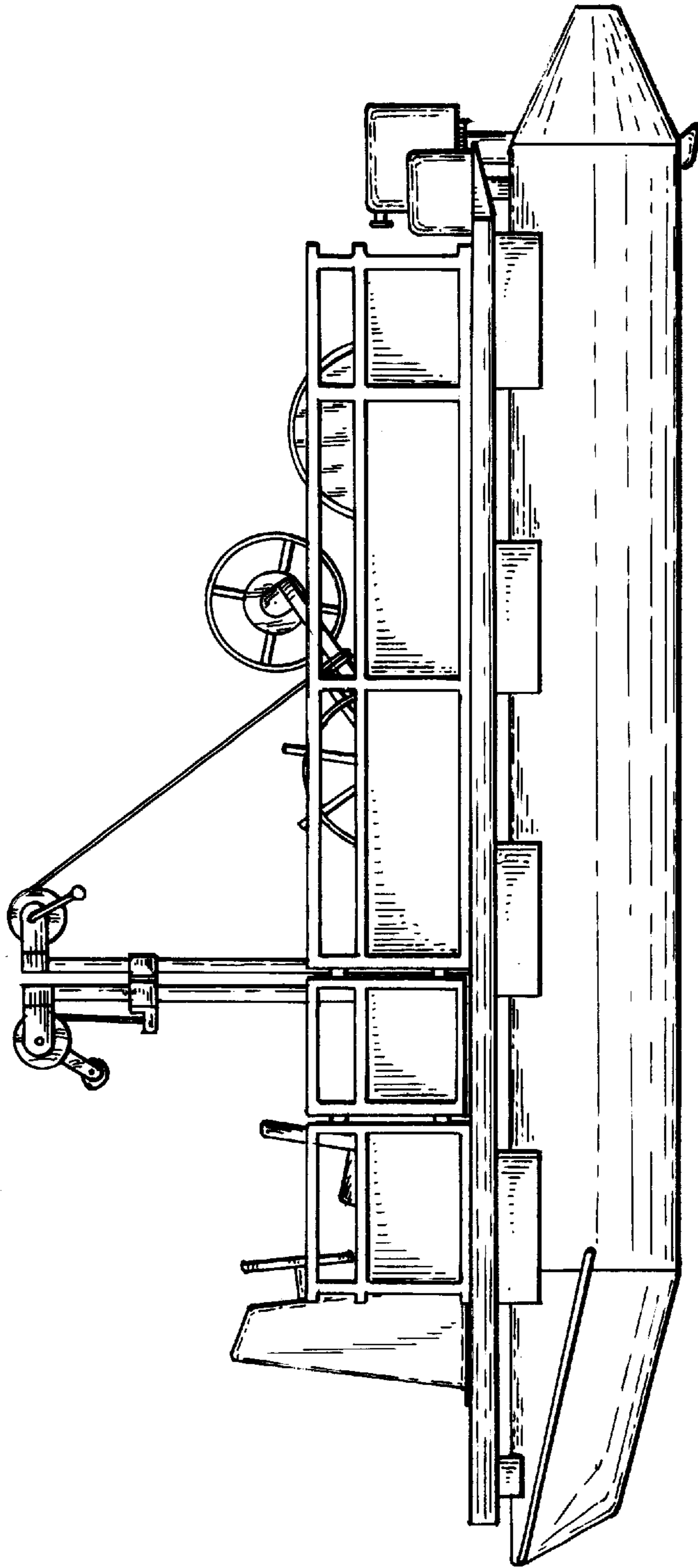


FIG. 2

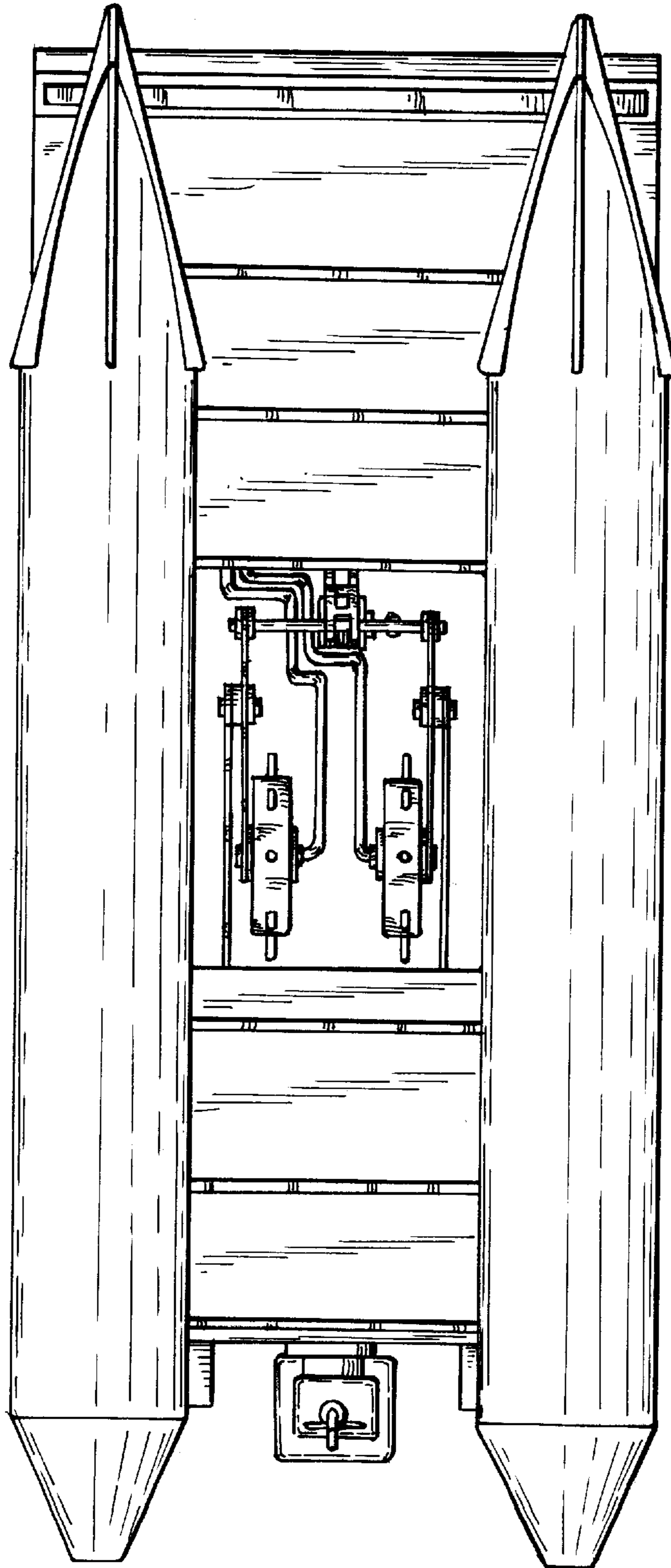


FIG. 3

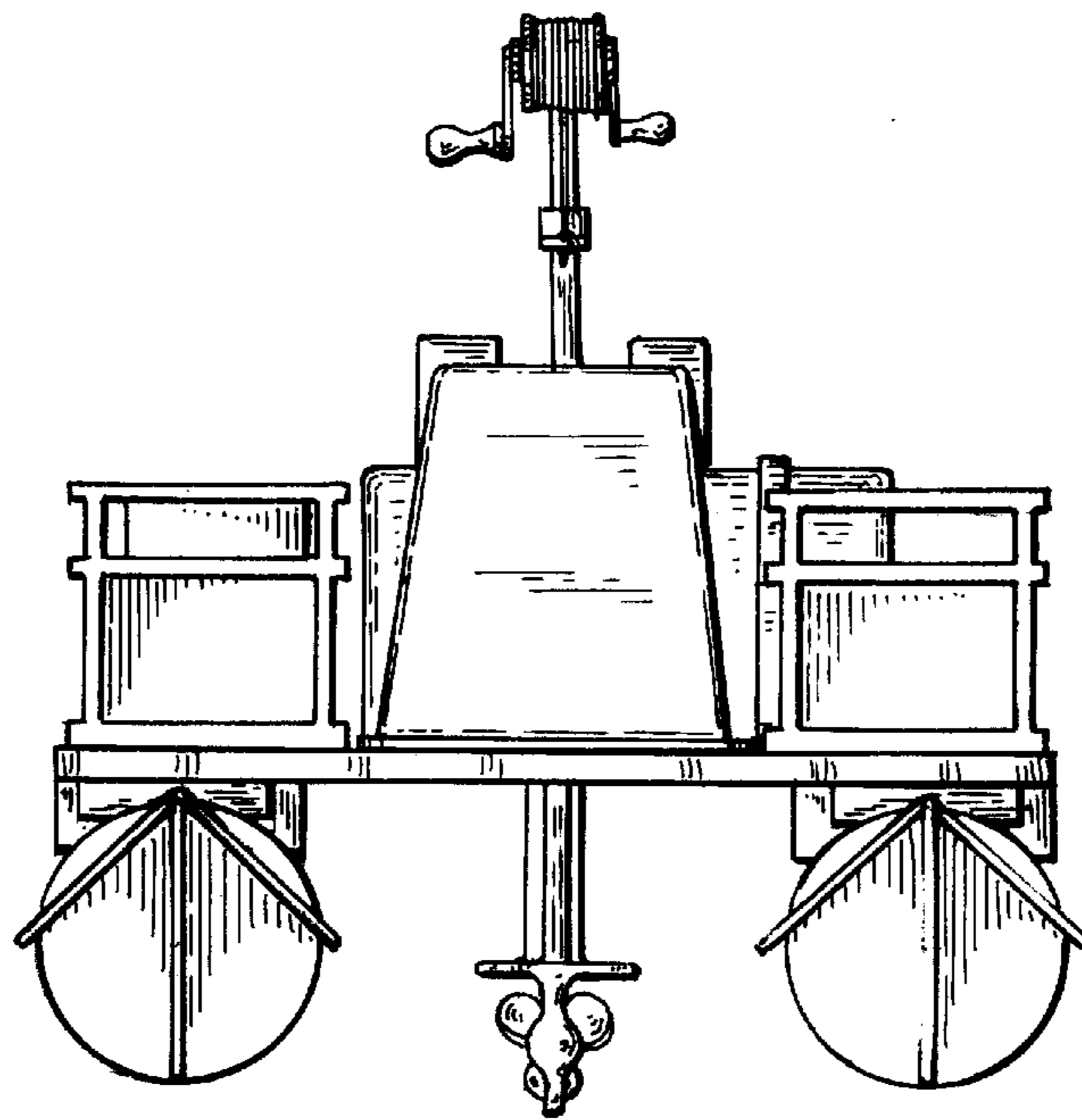


FIG. 4

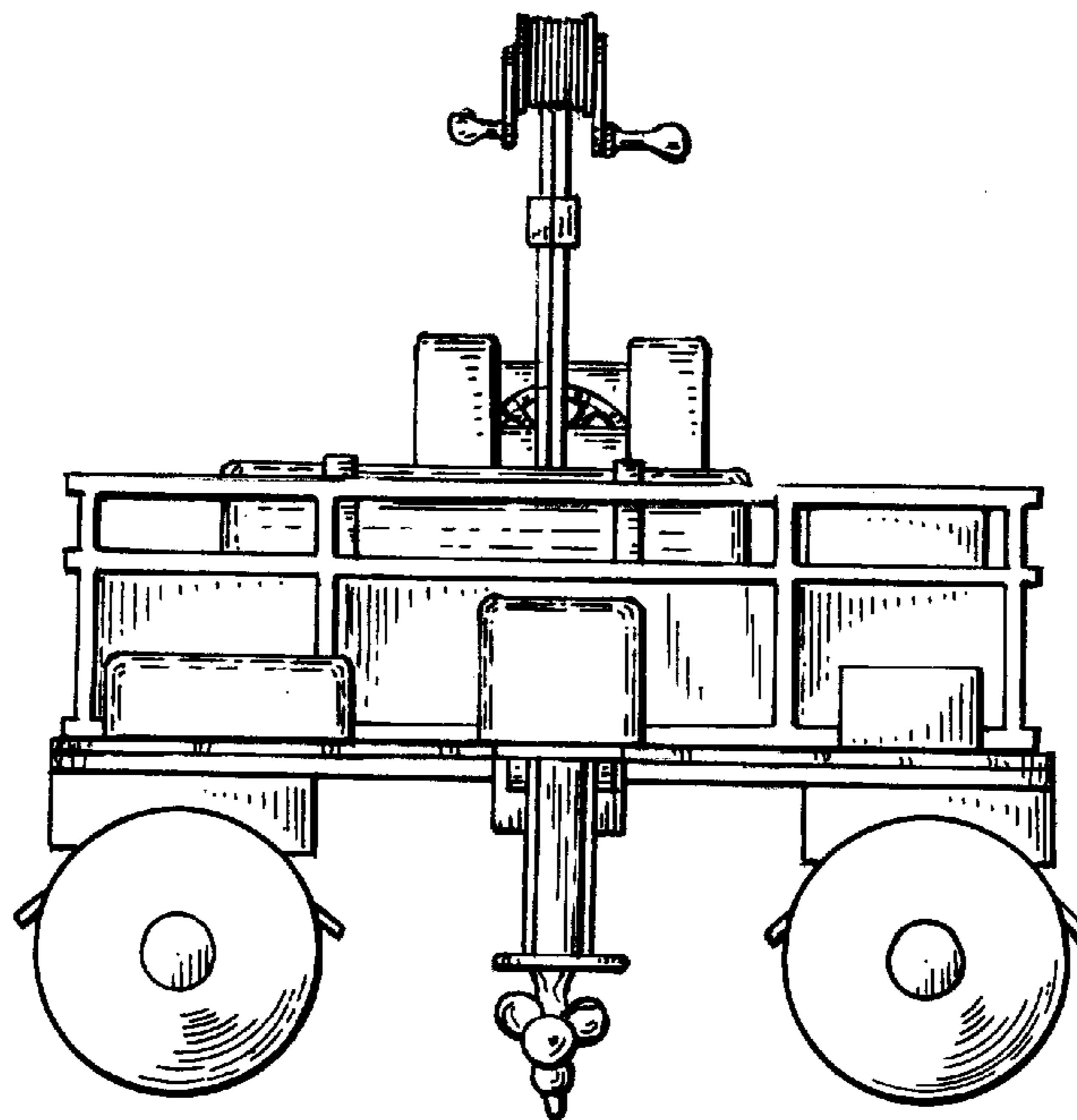


FIG. 5

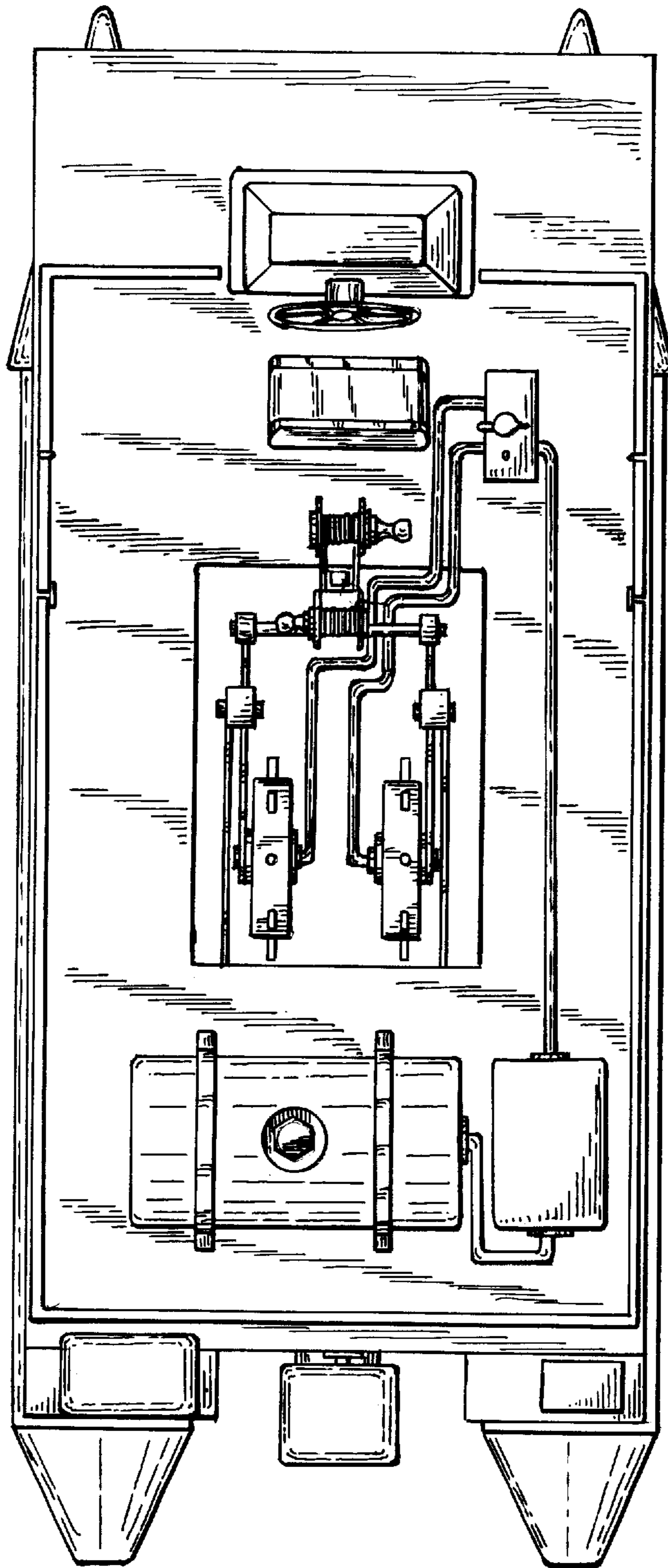


FIG. 6

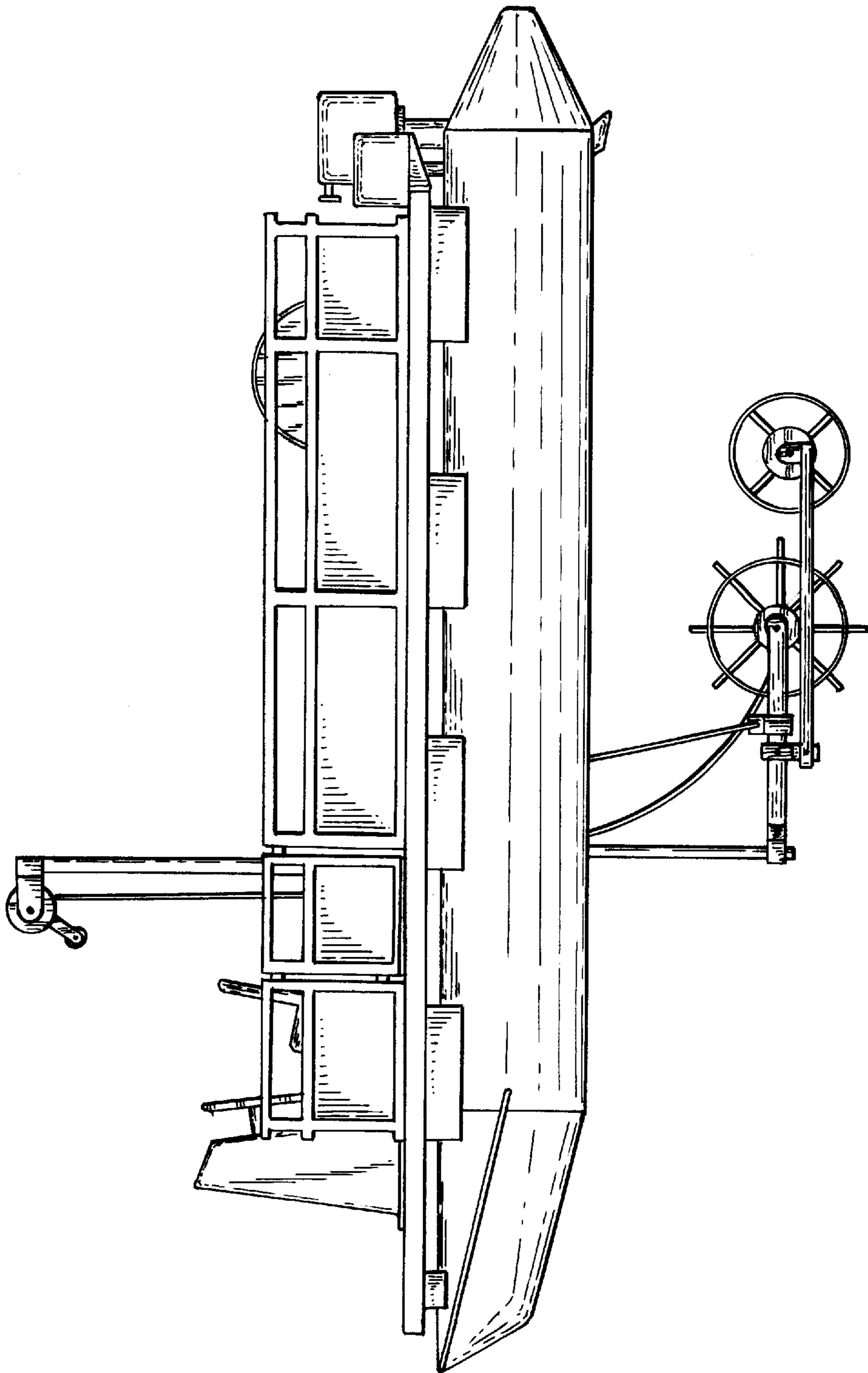


FIG. 7

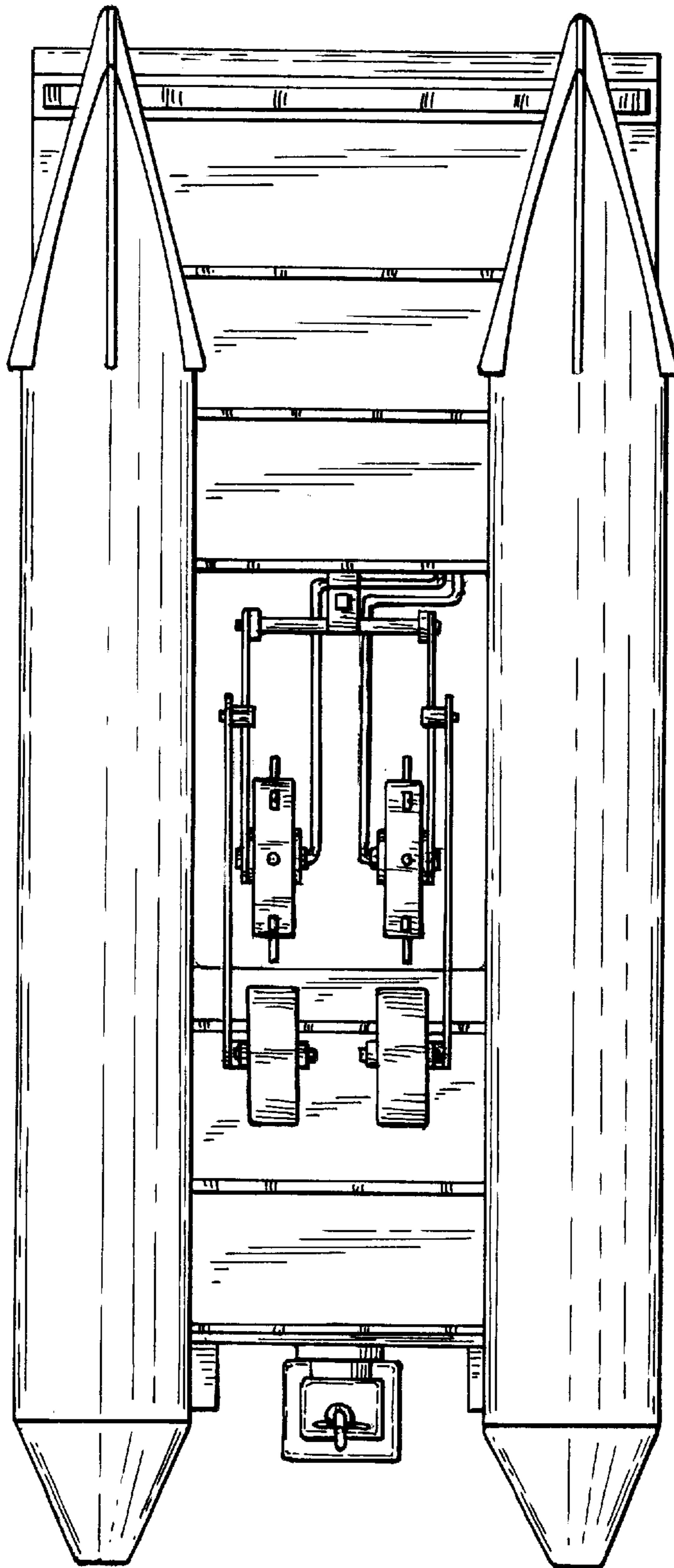


FIG. 8

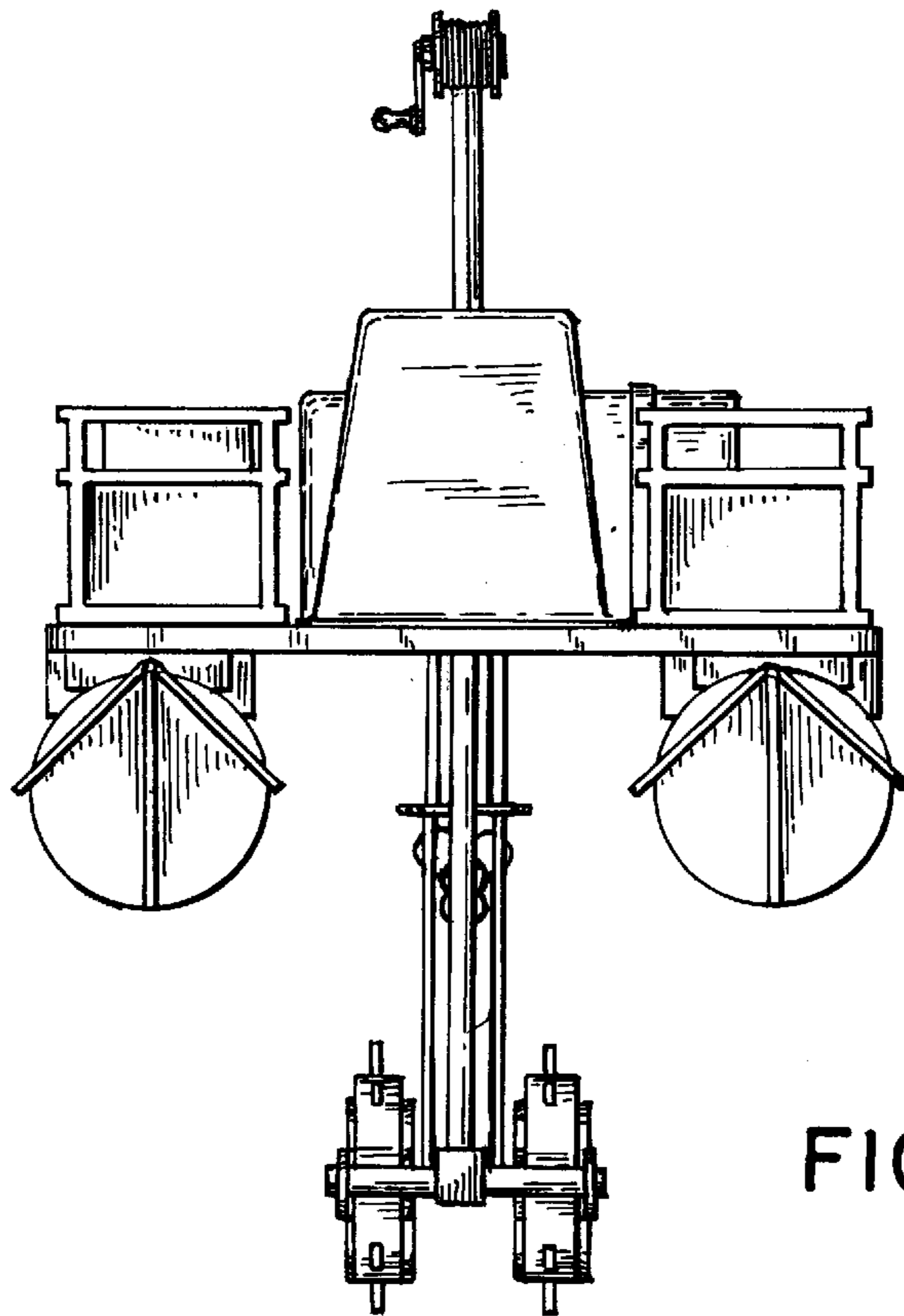


FIG. 9

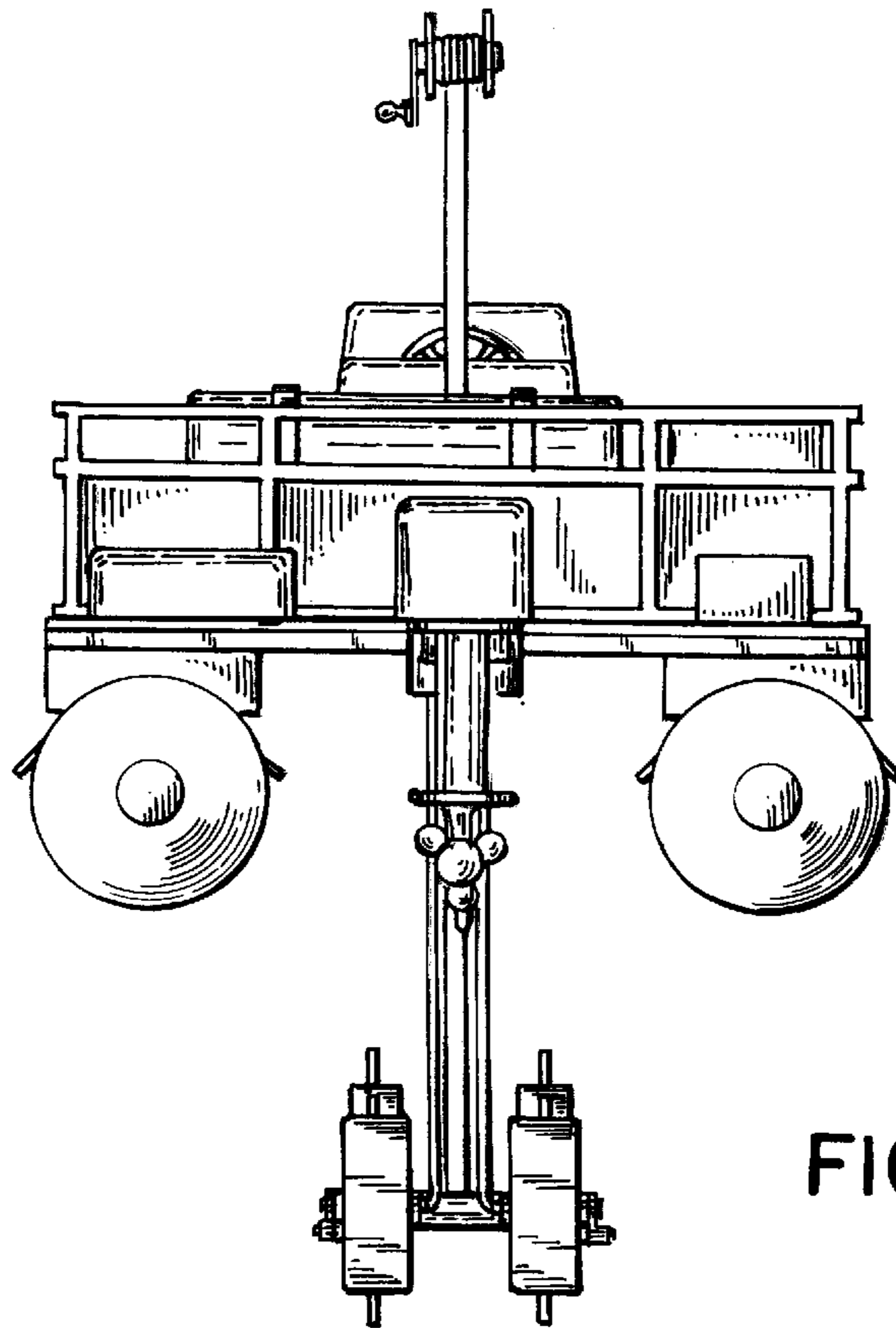


FIG. 10