



US00D397985S

# United States Patent [19]

Pingel et al.

[11] Patent Number: **Des. 397,985**

[45] Date of Patent: **\*\*Sep. 8, 1998**

[54] **WHEEL CHOCK MOUNTING PLATE**

[75] Inventors: **Wayne Pingel; Donna Pingel**, both of Adams, Wis.

[73] Assignee: **Pingel Enterprise, Inc.**, Adams, Wis.

[\*\*] Term: **14 Years**

[21] Appl. No.: **73,162**

[22] Filed: **Jun. 30, 1997**

[51] **LOC (6) Cl.** ..... **12-06**

[52] **U.S. Cl.** ..... **D12/217**

[58] **Field of Search** ..... D12/114, 120, D12/217; D6/552; D8/349, 350, 353, 354, 373, 380; 188/32, 36; 248/221.12, 222.41, 222.51; 280/293, 507; 410/30, 49

[56] **References Cited**

**U.S. PATENT DOCUMENTS**

- D. 222,483 10/1971 Plath ..... D6/552
- D. 285,647 9/1986 Sachs ..... D8/356
- D. 319,523 8/1991 Hall ..... D8/349

- D. 342,440 12/1993 Forsberg ..... D8/373
- D. 371,480 7/1996 Seng ..... D6/552
- D. 391,471 3/1998 Amstutz et al. .... D8/349
- D. 392,176 3/1998 Orser ..... D8/373
- 4,049,126 9/1977 Halverson ..... D8/373 X
- 4,632,222 12/1986 Chen ..... 248/221.41
- 5,163,567 11/1992 Bets, Sr. .... 248/222.41

*Primary Examiner*—Robert M. Spear  
*Attorney, Agent, or Firm*—Douglas B. White

[57] **CLAIM**

The ornamental design for a wheel chock mounting plate, as shown and described.

**DESCRIPTION**

FIG. 1 is a top view of the wheel chock mounting plate; FIG. 2 is a front view of the wheel chock mounting plate; FIG. 3 is a bottom view of the wheel chock mounting plate; FIG. 4 is a rear view of the wheel chock mounting plate; FIG. 5 is a right side view of the wheel chock mounting plate, the left side being identical thereto; and, FIG. 6 is an enlarged perspective view of the wheel chock mounting plate.

**1 Claim, 2 Drawing Sheets**

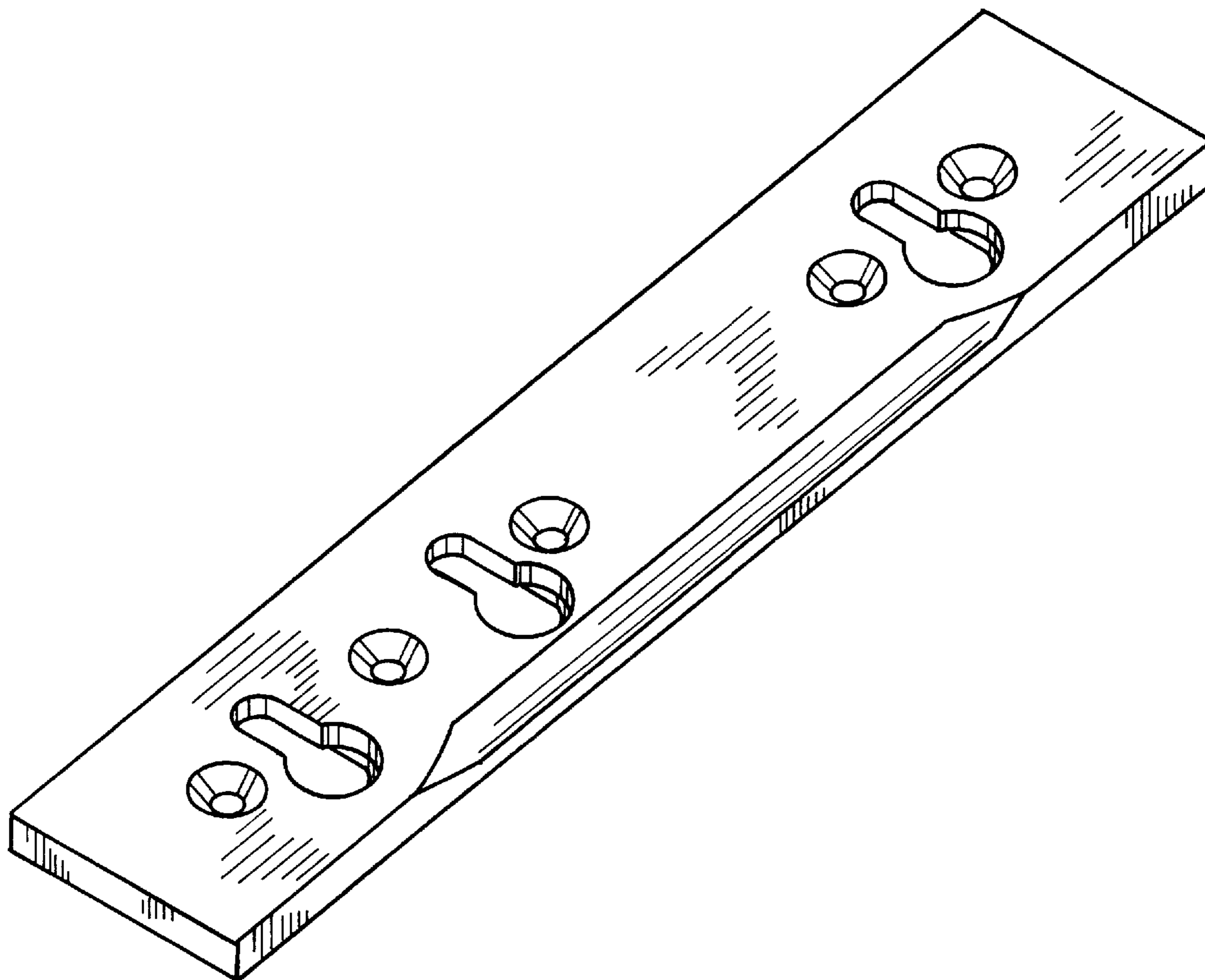


FIG. 1

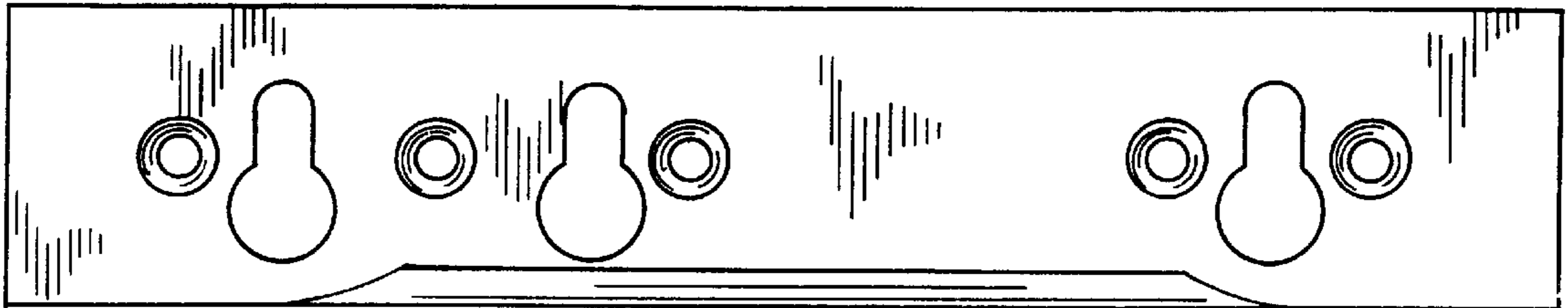


FIG. 2

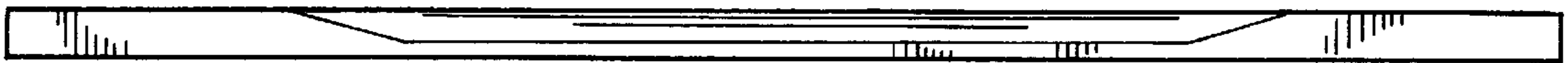


FIG. 3

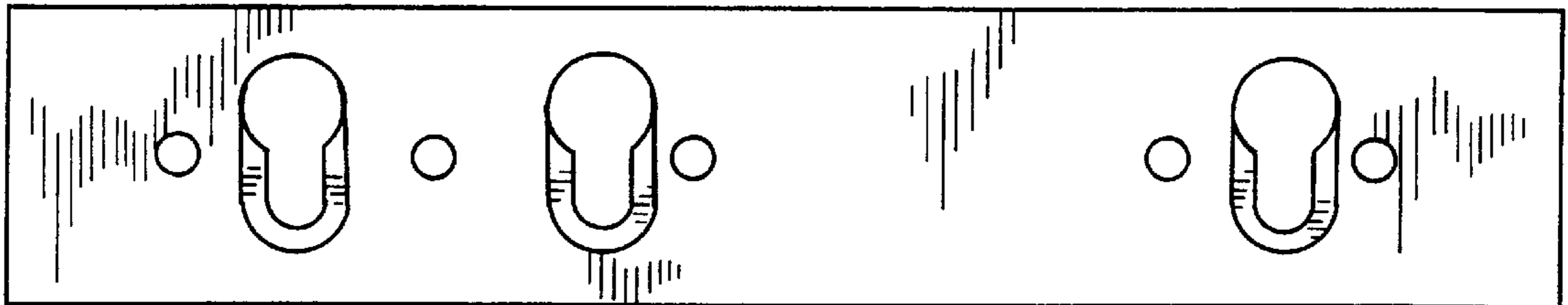


FIG. 4



FIG. 5



FIG. 6

