



US00D397980S

United States Patent [19] Thompson

[11] Patent Number: **Des. 397,980**

[45] Date of Patent: ****Sep. 8, 1998**

[54] **RUNNING BOARD**

[75] Inventor: **Scott P. Thompson**, Longmont, Colo.

[73] Assignee: **DFM Corporation**, Longmont, Colo.

[**] Term: **14 Years**

[21] Appl. No.: **77,249**

[22] Filed: **Sep. 30, 1997**

[51] **LOC (6) Cl.** **12-16**

[52] **U.S. Cl.** **D12/203**

[58] **Field of Search** D12/203, 190;
280/163, 164.1, 153.5, 848

5,193,829	3/1993	Holloway et al.	280/163
5,238,268	8/1993	Logan	280/848
5,340,154	8/1994	Scott	280/848
5,501,475	3/1996	Bundy	280/166

Primary Examiner—James Gandy
Assistant Examiner—Stacia Sinuik
Attorney, Agent, or Firm—Zarley, McKee, Thomte,
Voorhees & Sease

[57] CLAIM

I claim the ornamental design for a running board, as shown and described.

DESCRIPTION

FIG. 1 is perspective view of the running board;
FIG. 2 is a top elevational view of the running board;
FIG. 3 is a bottom elevational view of the running board;
FIG. 4 is a left side elevational view of the running board;
FIG. 5 is a right side back elevational view of the running board;
FIG. 6 is an enlarged back elevational view of the running board; and,
FIG. 7 is an enlarged front elevational view of the running board.

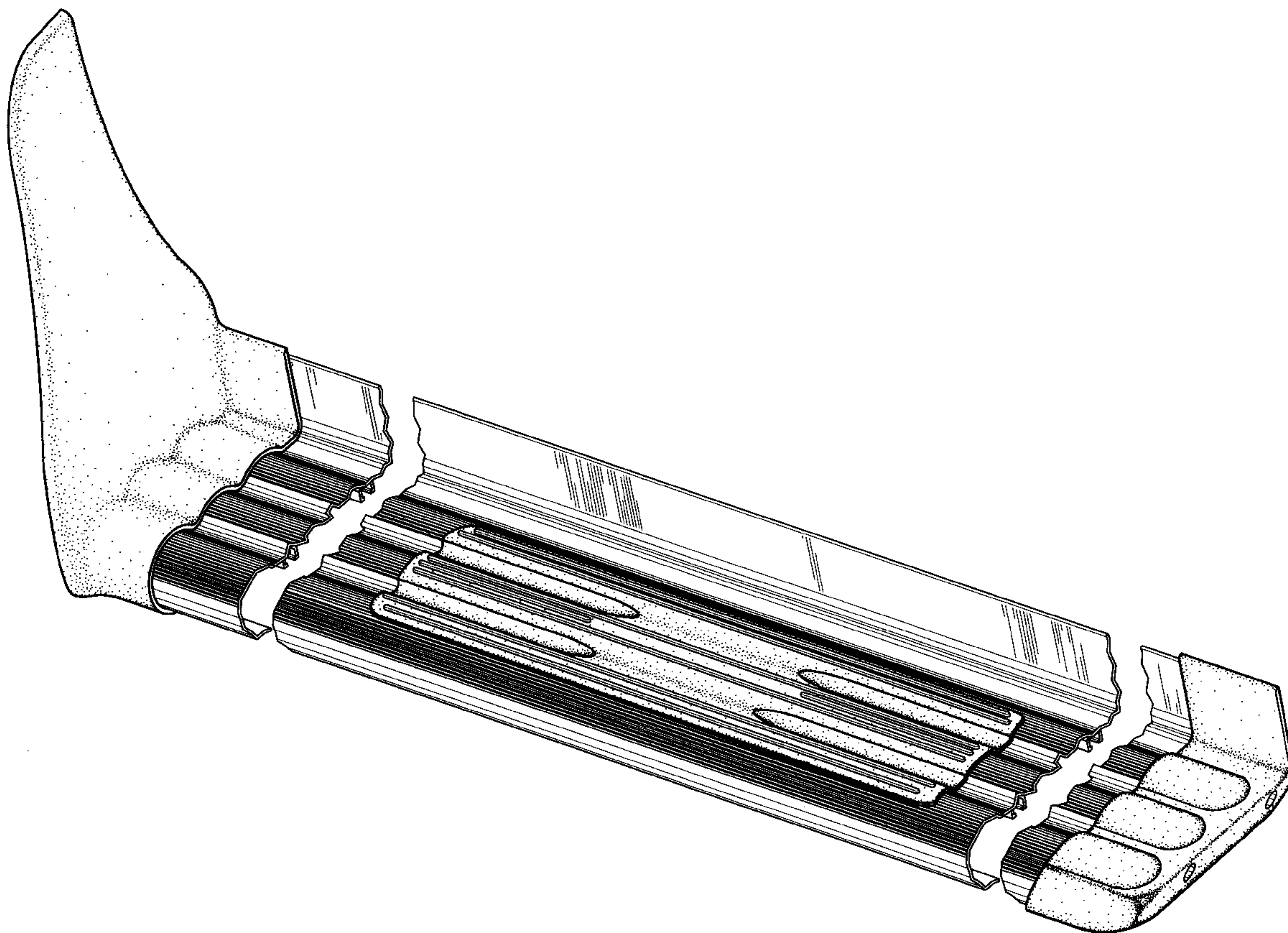
The running board is shown broken away in FIGS. 1, 2, 3, 4 and 5 to indicate indeterminate length.

1 Claim, 6 Drawing Sheets

[56] References Cited

U.S. PATENT DOCUMENTS

D. 85,482	11/1931	Leguillon	D12/203
D. 263,697	4/1982	Mathews	D12/203
D. 278,329	4/1985	Baker et al.	D12/203
D. 304,820	11/1989	Rasmussen	D12/203
D. 330,536	10/1992	Holloway	D12/203
D. 336,629	6/1993	Hinrichs et al.	D12/203
D. 342,476	12/1993	Beckett	D12/203
D. 349,678	8/1994	Waddington et al.	D12/203
4,451,063	5/1984	Synder	280/163
4,836,568	6/1989	Preslik et al.	280/164.1
5,137,293	8/1992	Graves et al.	280/163



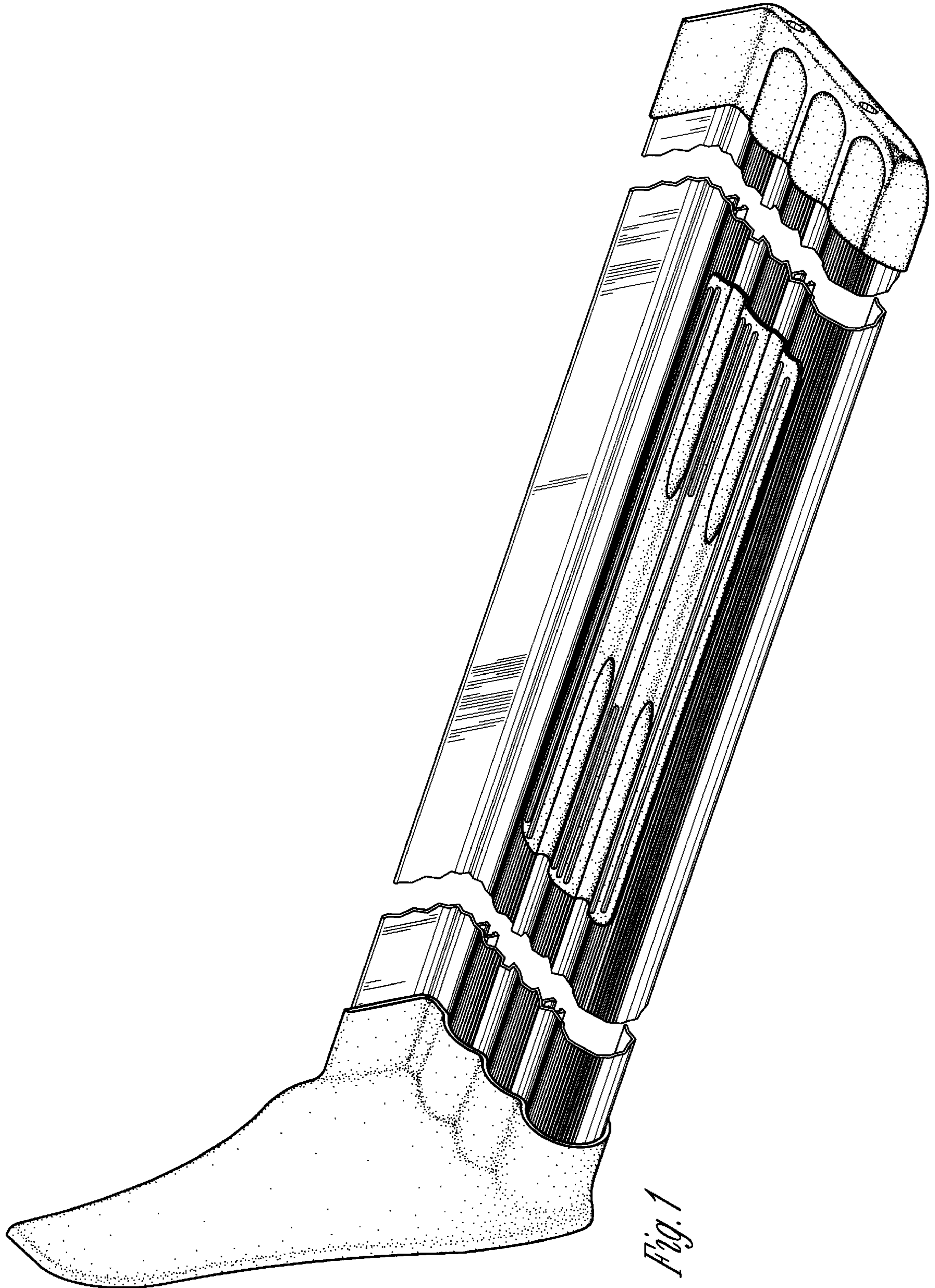
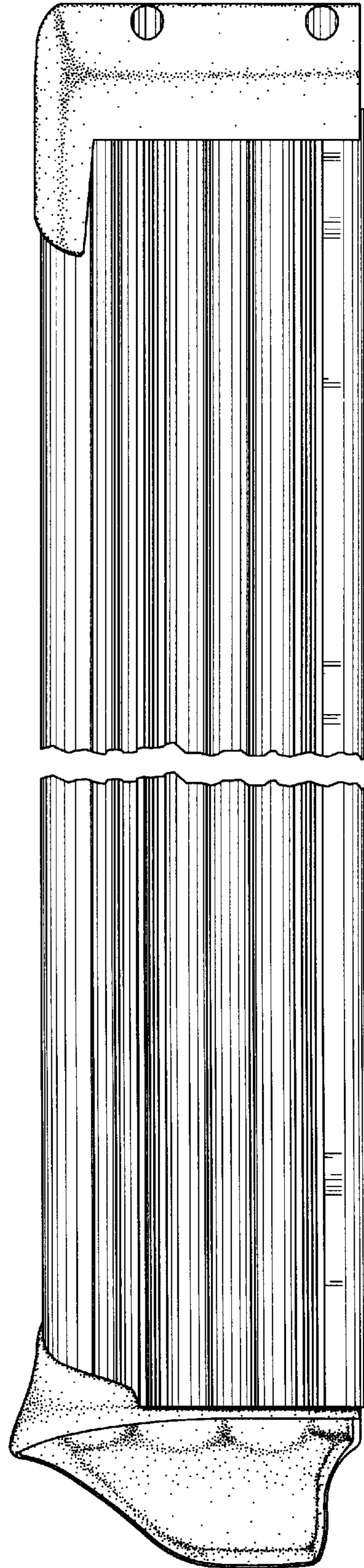
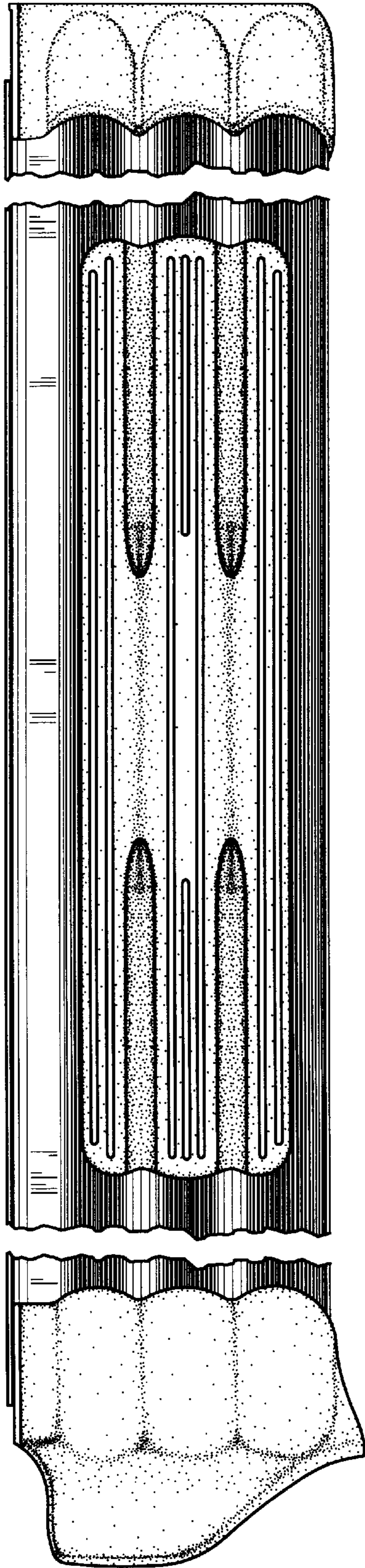
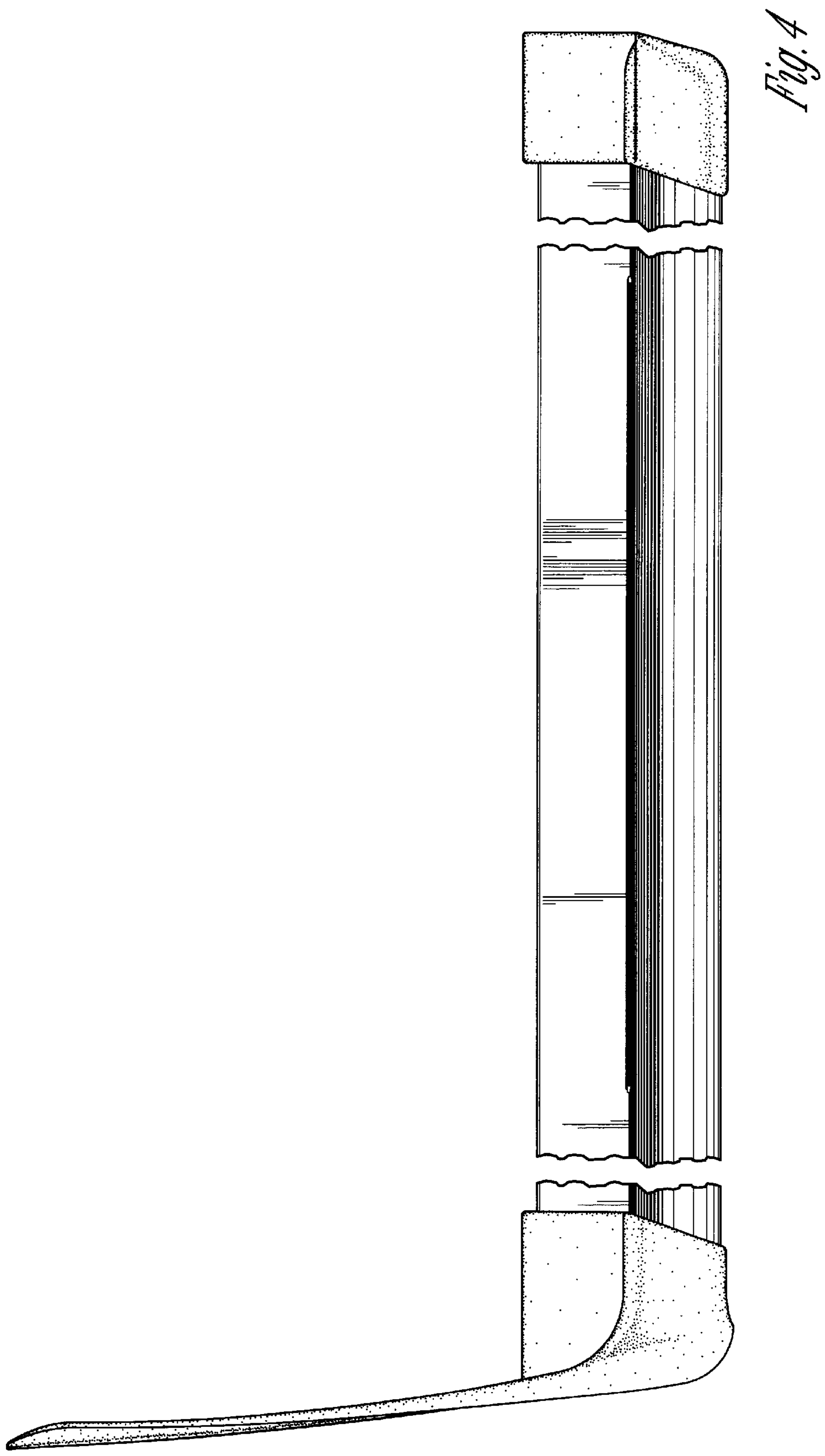


Fig. 1





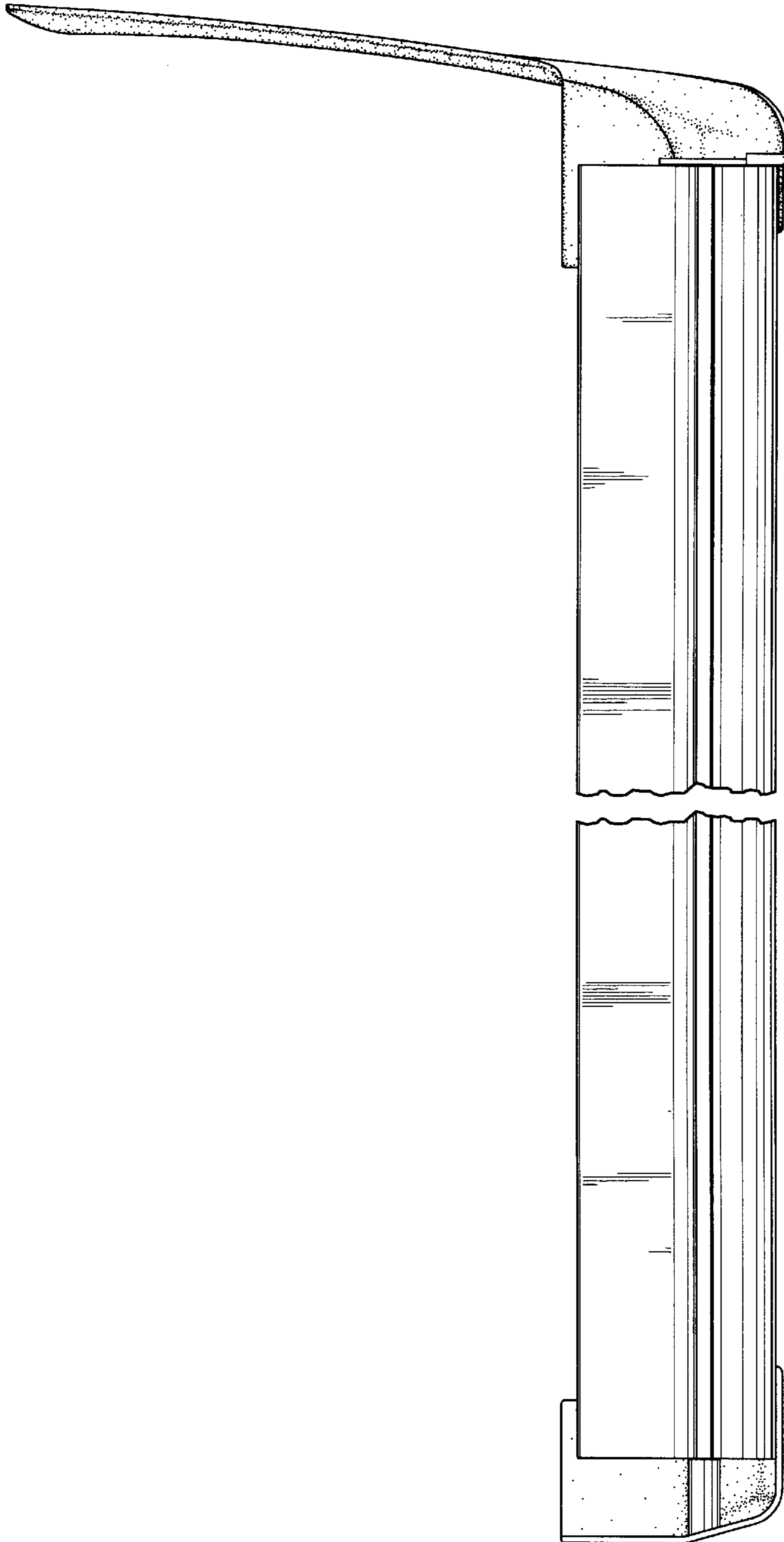


Fig. 5

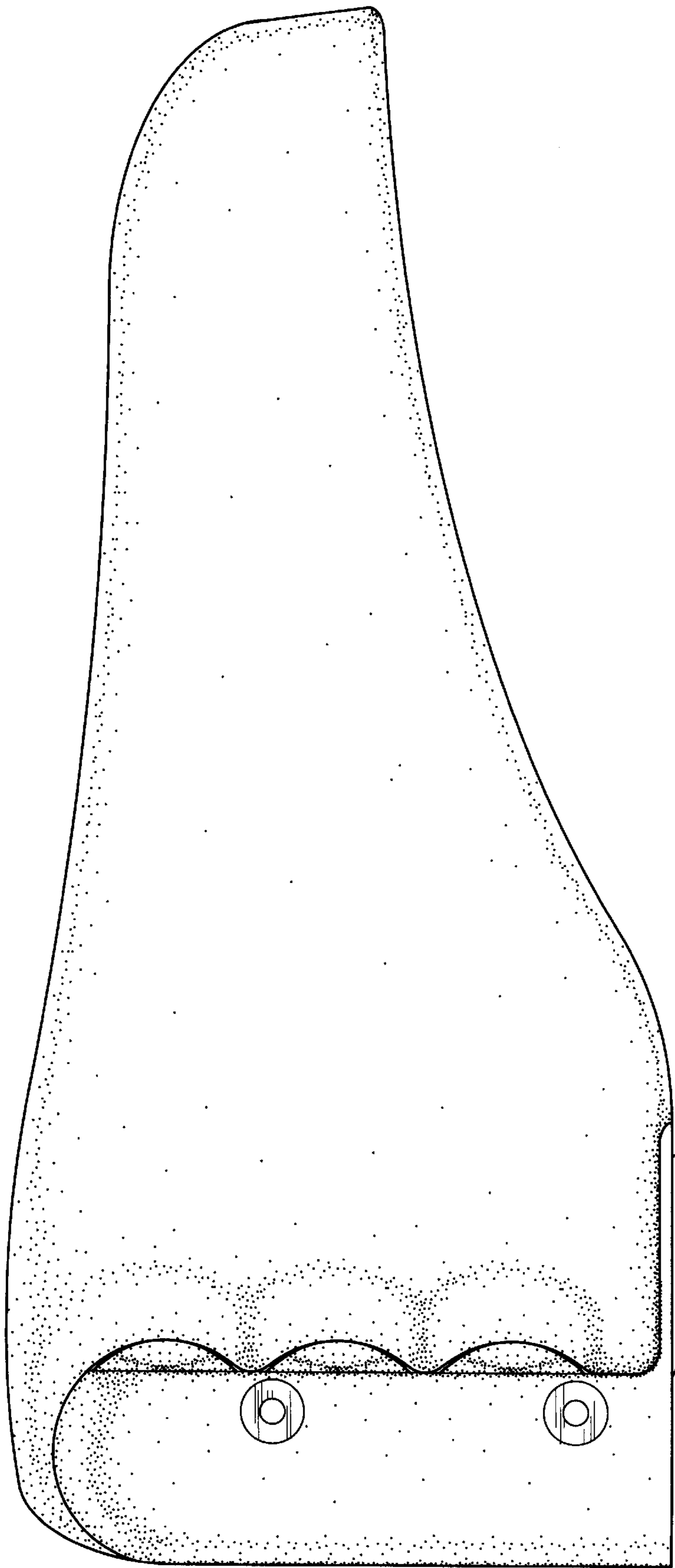


Fig. 6

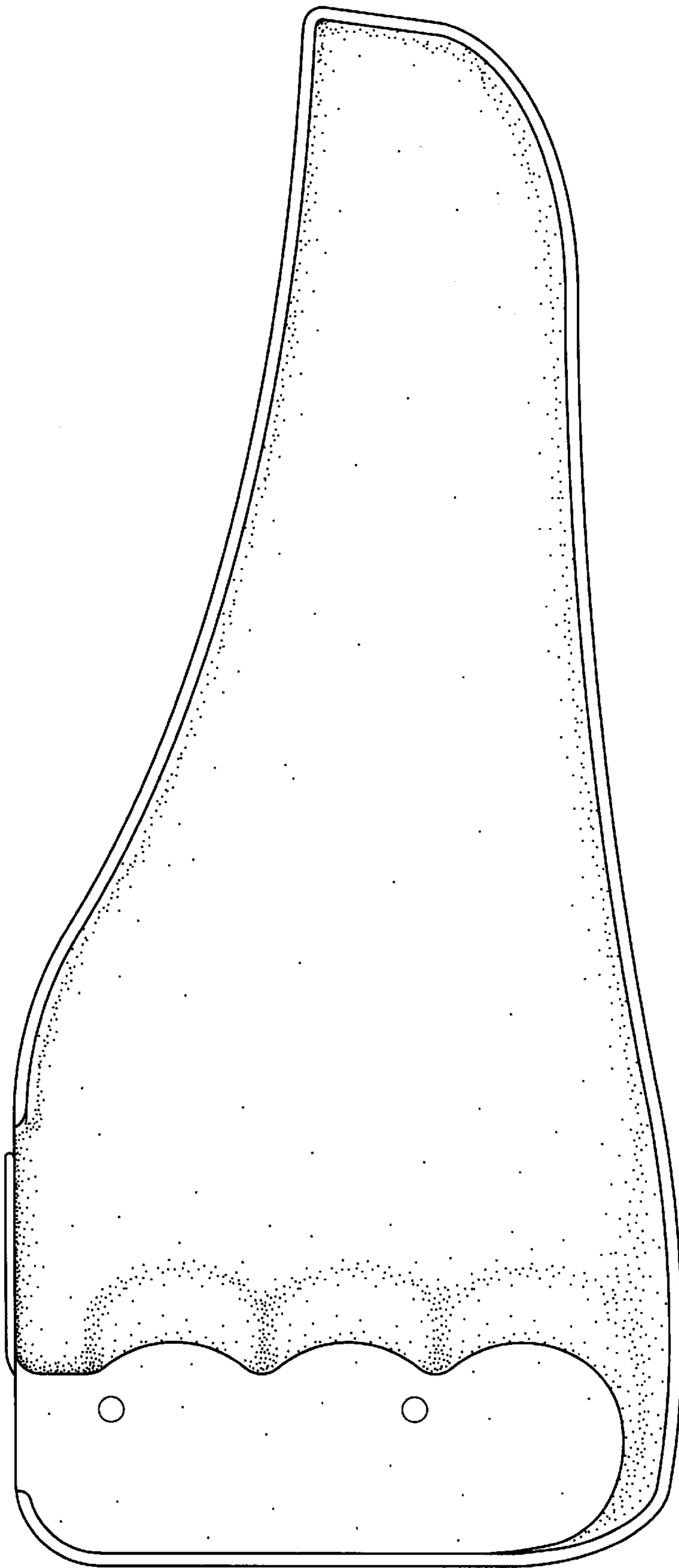


Fig. 7