



US00D397974S

# United States Patent [19]

Morishita et al.

[11] Patent Number: **Des. 397,974**

[45] Date of Patent: **\*\*Sep. 8, 1998**

[54] **AUTOMOBILE TIRE**

[75] Inventors: **Hisaya Morishita; Tetsuya Kuze**, both of Kanagawa-ken; **Hiroshi Tokizaki; Izumi Kuramochi**, both of Tokyo, all of Japan

[73] Assignee: **The Yokohama Rubber Co., Ltd.**, Tokyo, Japan

[\*\*] Term: **14 Years**

[21] Appl. No.: **71,598**

[22] Filed: **Jun. 3, 1997**

### [30] Foreign Application Priority Data

Dec. 19, 1996 [JP] Japan ..... 8-38303

[51] **LOC (6) Cl.** ..... **12-15**

[52] **U.S. Cl.** ..... **D12/147**

[58] **Field of Search** ..... D12/134, 136, D12/138, 140-151; 152/209 R, 209 D, 209 B

### [56] References Cited

#### U.S. PATENT DOCUMENTS

D. 312,230 11/1990 Wallet et al. .... D12/147

D. 316,067 4/1991 Hammond et al. .... D12/146  
D. 378,075 2/1997 Hashimoto et al. .... D12/147

#### FOREIGN PATENT DOCUMENTS

95-007964/02 12/1994 European Pat. Off. .... 152/209 R

*Primary Examiner*—Robert M. Spear  
*Attorney, Agent, or Firm*—Nikaido Marmelstein Murray & Oram LLP

### [57] CLAIM

The ornamental design for an automobile tire, as shown and described.

### DESCRIPTION

FIG. 1 is a front view of an automobile tire, showing our new design, the top plan view and bottom plan view appearing the same as the front view, it being understood that the tread pattern repeats uniformly throughout the circumference of the tire;

FIG. 2 is a rear view of the automobile tire;

FIG. 3 is a left side view of the automobile tire;

FIG. 4 is a right side view of the automobile tire;

FIG. 5 is a fragmentary front view, showing in enlargement the portion of 5—5 in FIG. 1; and,

FIG. 6 is an enlarged cross-sectional view, taken on line 6—6 and in the direction of arrows of FIG. 5.

**1 Claim, 5 Drawing Sheets**

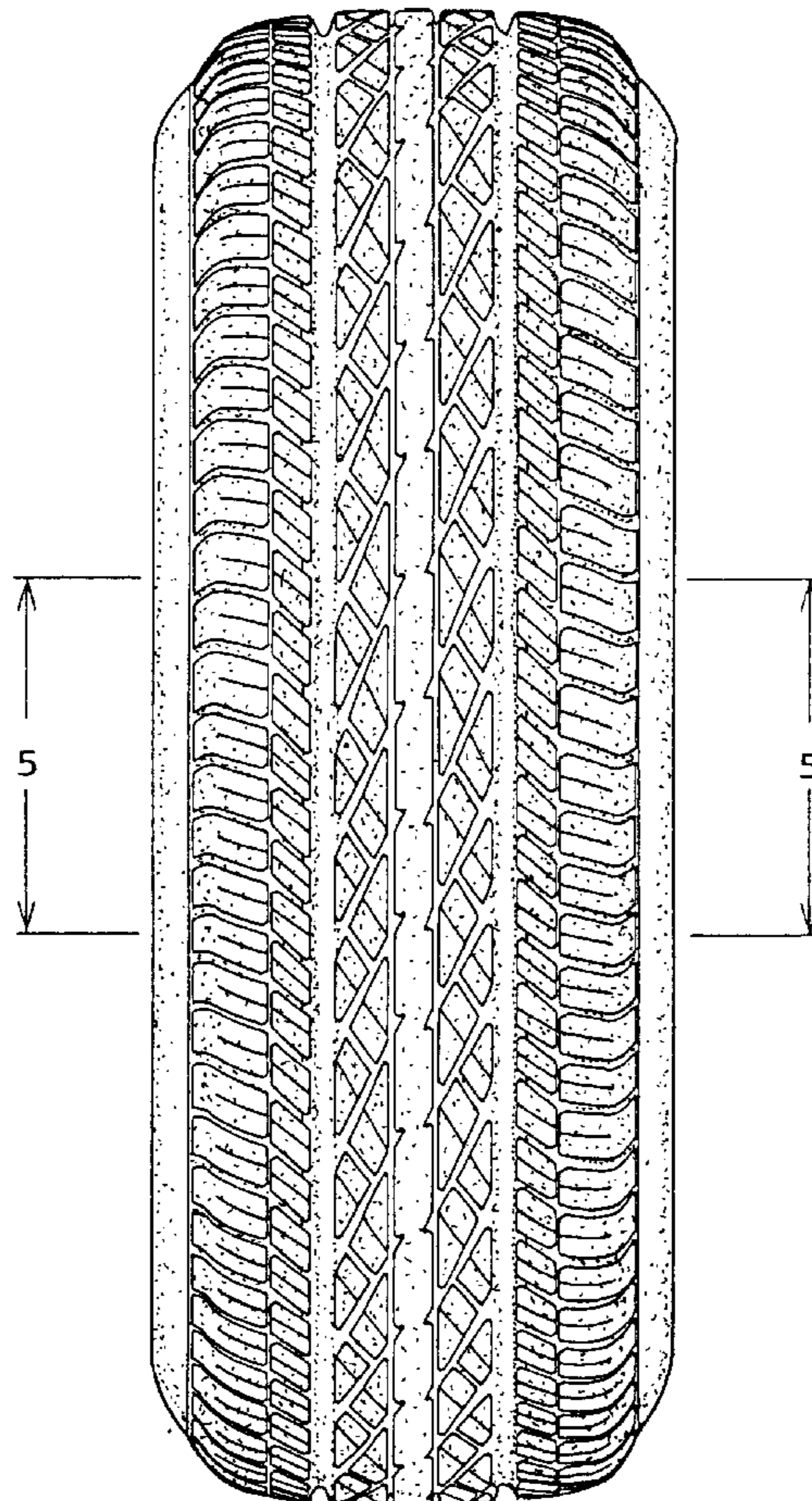


FIG. 1

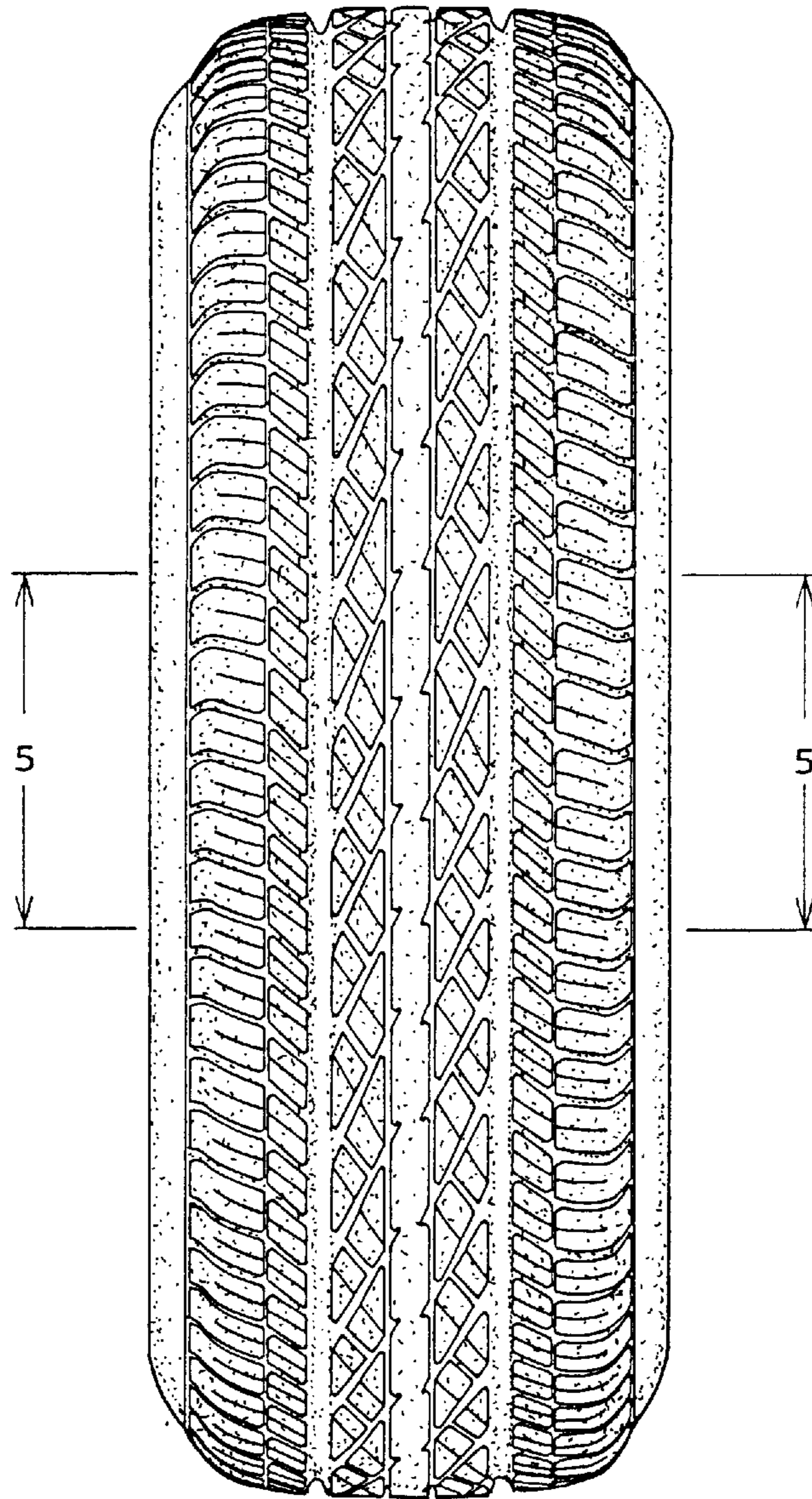


FIG. 2

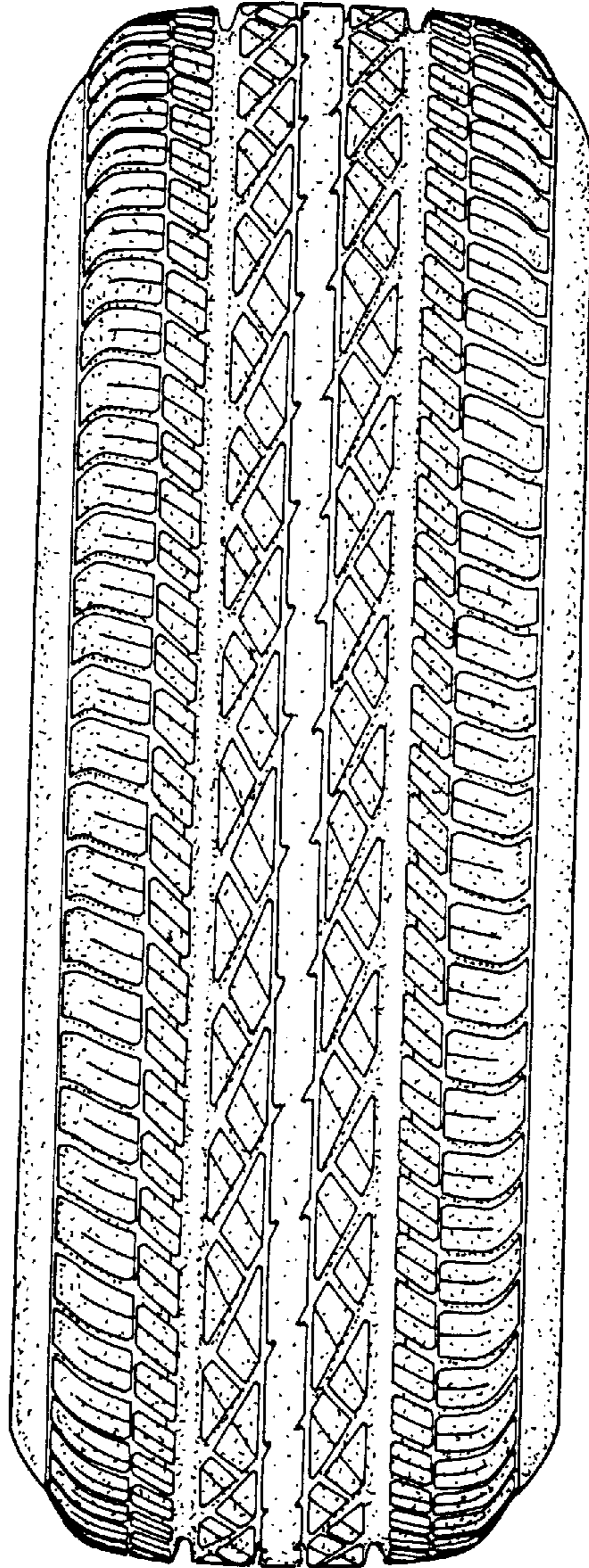


FIG. 3

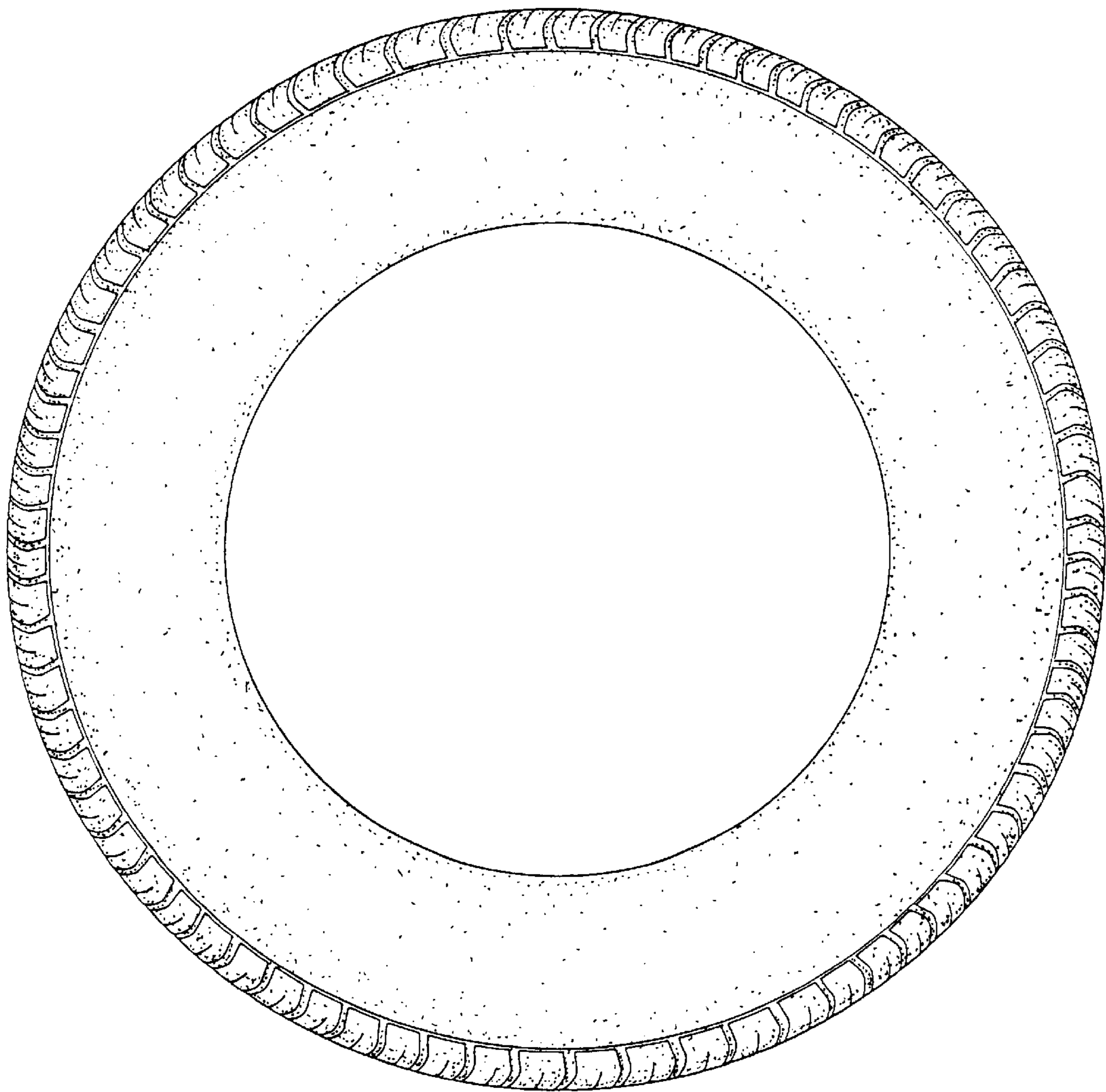


FIG.4

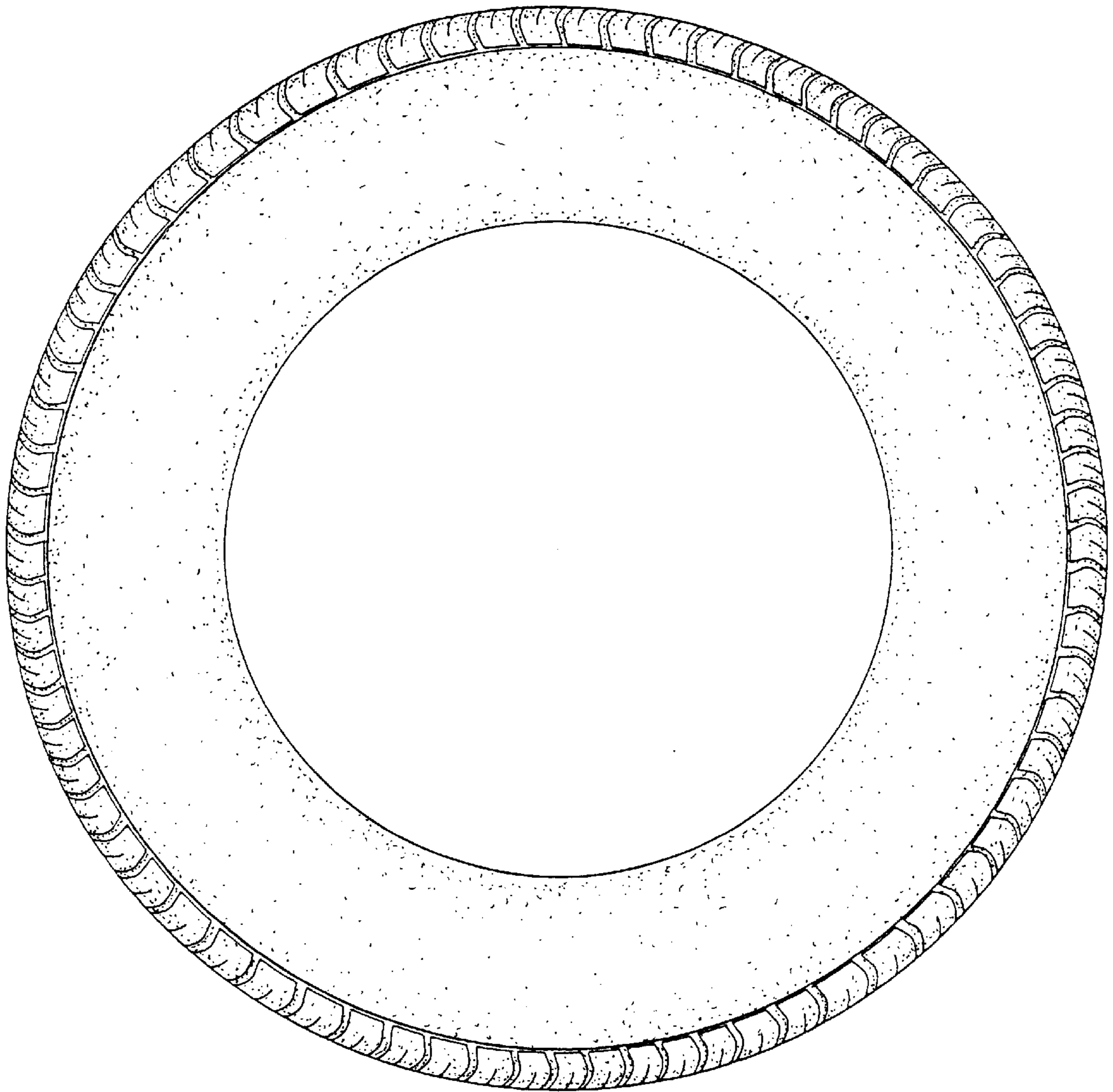


FIG. 5

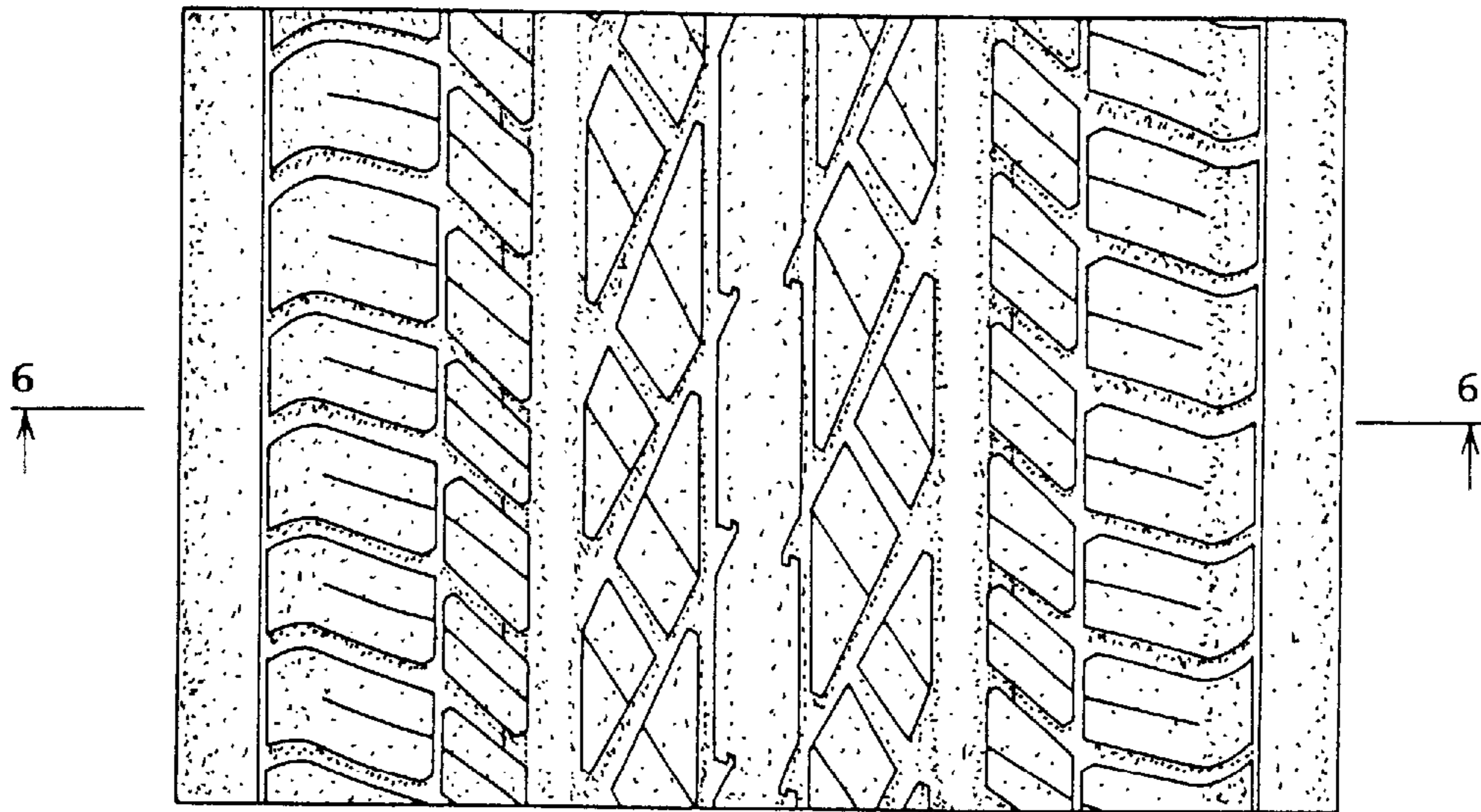


FIG. 6

