



US00D397973S

United States Patent [19]

Morishita et al.

[11] Patent Number: **Des. 397,973**

[45] Date of Patent: ****Sep. 8, 1998**

[54] **AUTOMOBILE TIRE**

D. 379,444 5/1997 Graas et al. D12/147
D. 379,448 5/1997 Graas et al. D12/147

[75] Inventors: **Hisaya Morishita; Junichi Otani**, both of Kanagawa-ken, Japan

FOREIGN PATENT DOCUMENTS

91-061923/09 6/1989 Japan 152/209 R

[73] Assignee: **The Yokohama Rubber Co., Ltd.**, Tokyo, Japan

Primary Examiner—Robert M. Spear
Attorney, Agent, or Firm—Nikaido Marmelstein Murray & Oram LLP

[**] Term: **14 Years**

[57] CLAIM

[21] Appl. No.: **71,597**

The ornamental design for an automobile tire, as shown and described.

[22] Filed: **Jun. 3, 1997**

DESCRIPTION

[30] Foreign Application Priority Data

Dec. 19, 1996 [JP] Japan 8-38304

FIG. 1 is a front view of an automobile tire, showing our new design, the top plan view and bottom plan view appearing the same as the front view, it being understood that the tread pattern repeats uniformly throughout the circumference of the tire;

[51] **LOC (6) Cl.** **12-15**

[52] **U.S. Cl.** **D12/147**

FIG. 2 is a rear view of the automobile tire;

[58] **Field of Search** D12/134, 136, D12/138, 140-151; 152/209 R, 209 D, 209 B

FIG. 3 is a right side view of the automobile tire;

FIG. 4 is a left side view of the automobile tire;

FIG. 5 is a fragmentary front view, showing in enlargement the portion of **5—5** in FIG. 1; and,

FIG. 6 is an enlarged cross-sectional view, taken on line **6—6** and in the direction of arrows of FIG. 5.

[56] References Cited

U.S. PATENT DOCUMENTS

D. 316,067 4/1991 Hammond et al. D12/146
D. 378,075 2/1997 Hashimoto et al. D12/147

1 Claim, 5 Drawing Sheets

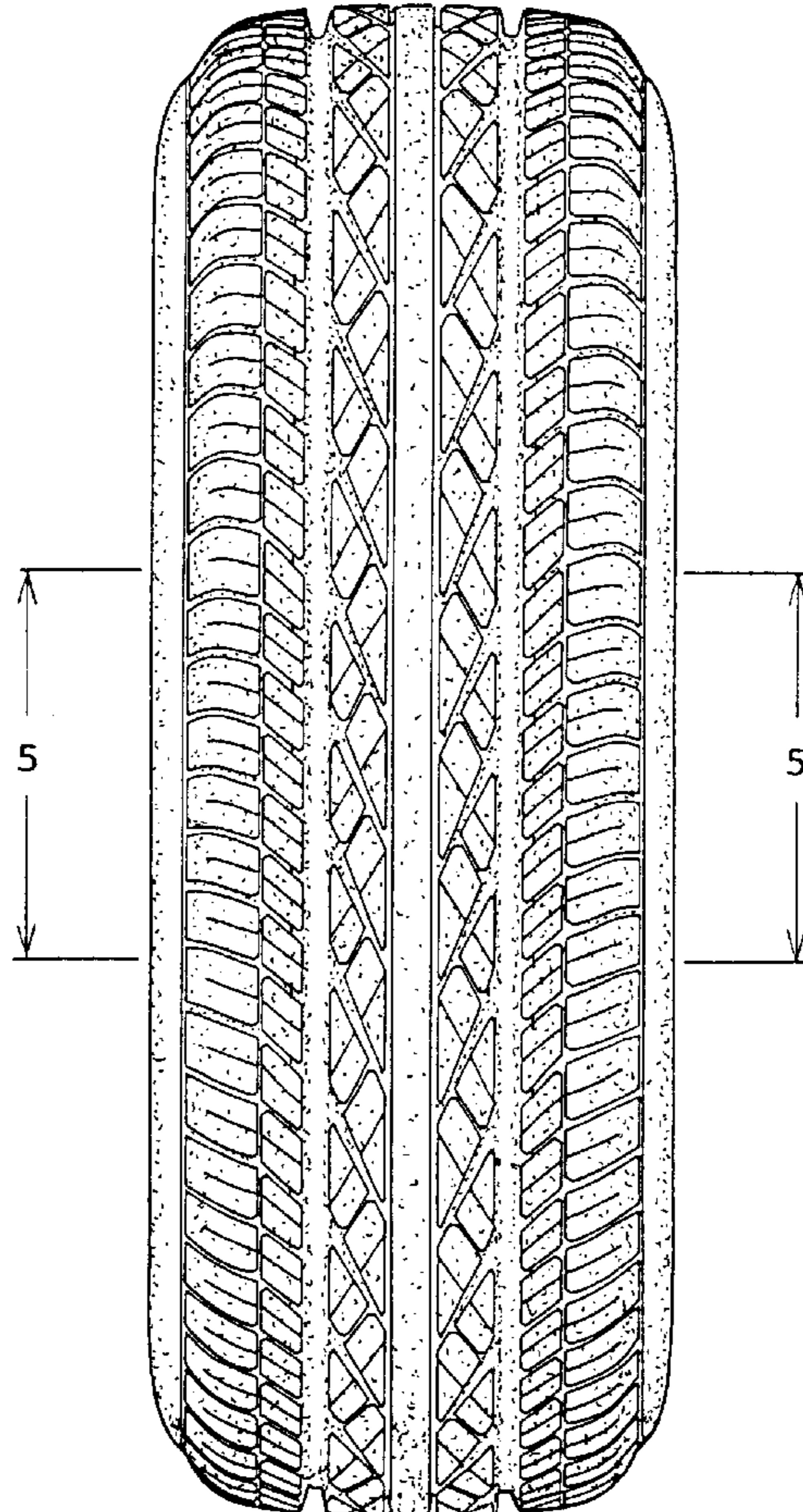


FIG. 1

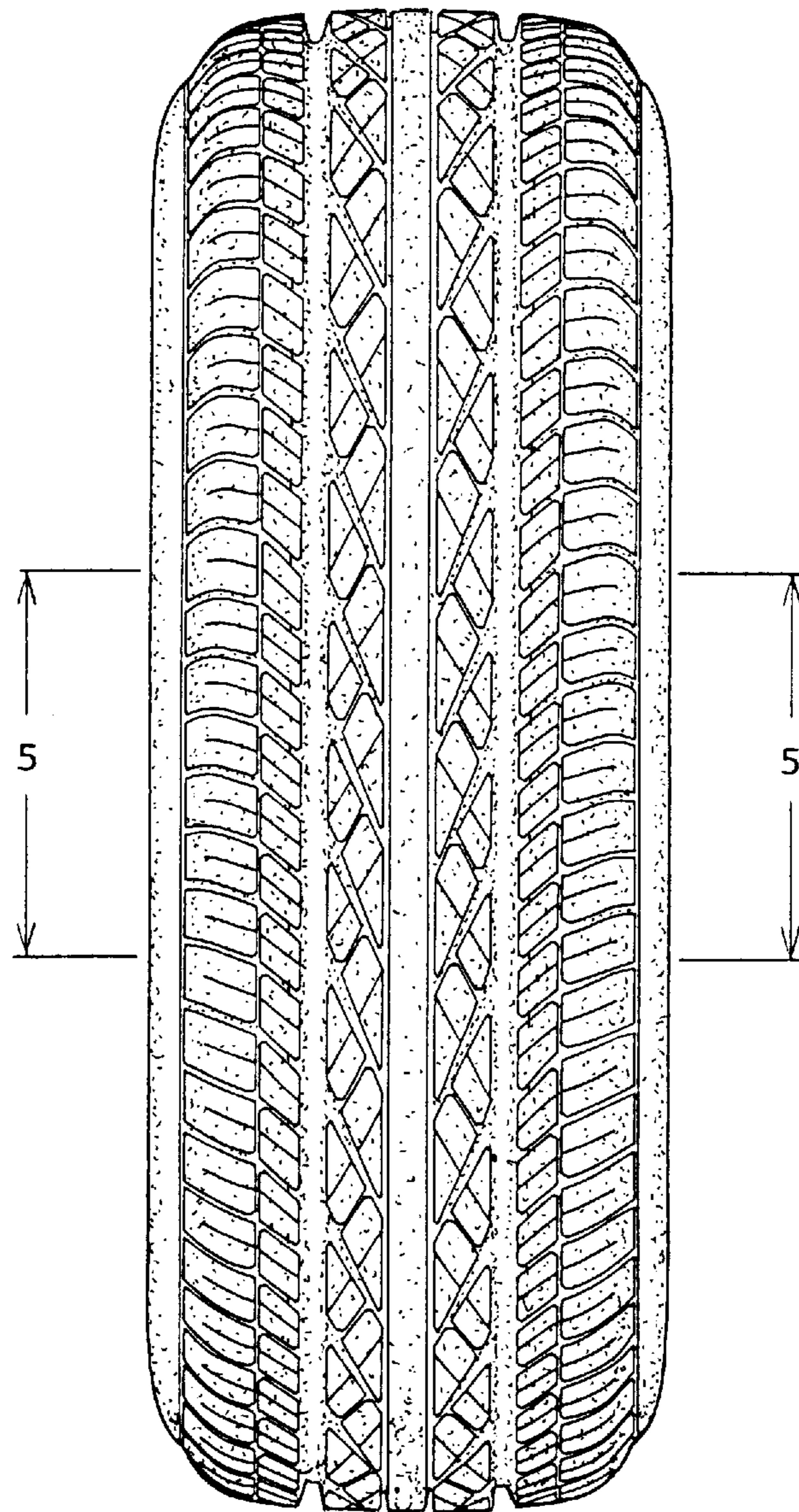


FIG. 2

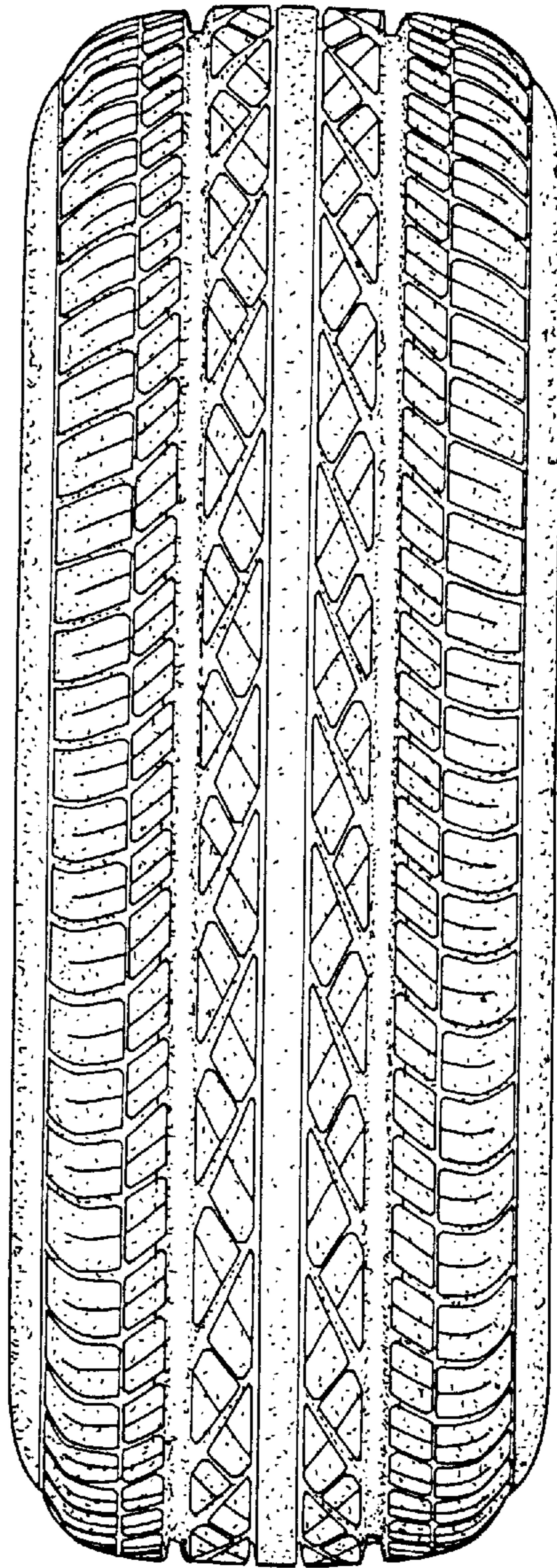


FIG.3

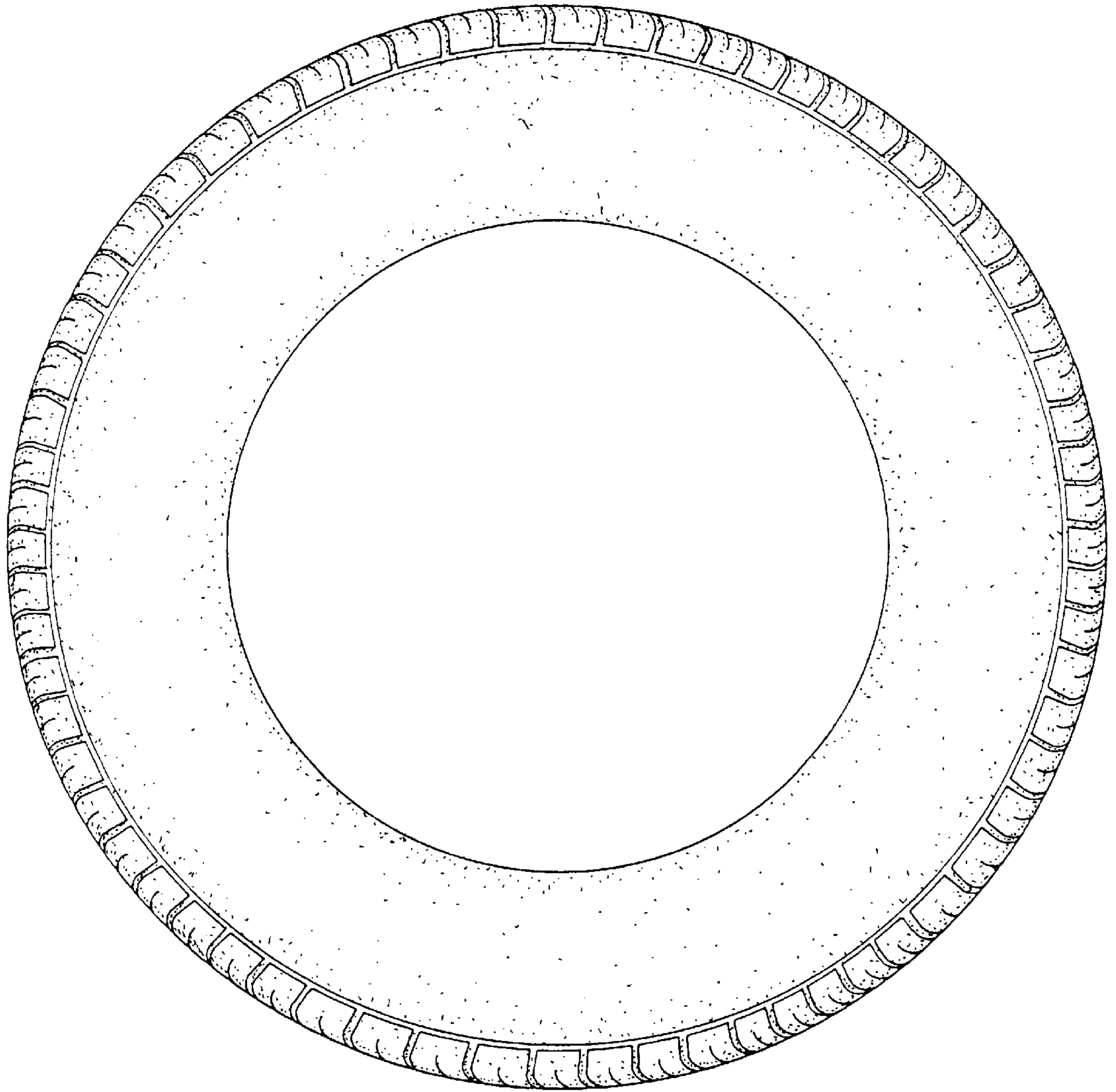


FIG. 4

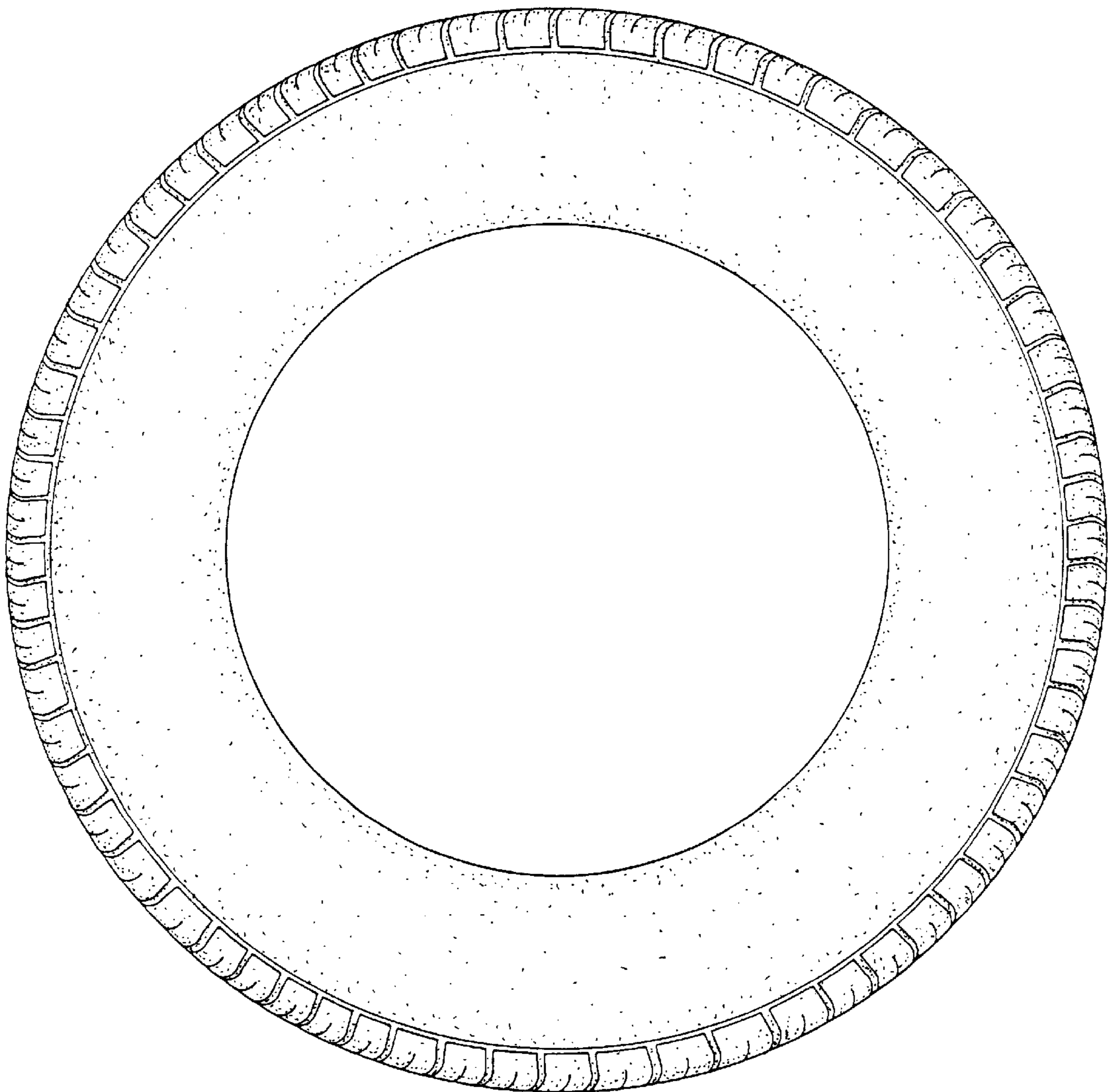


FIG.5

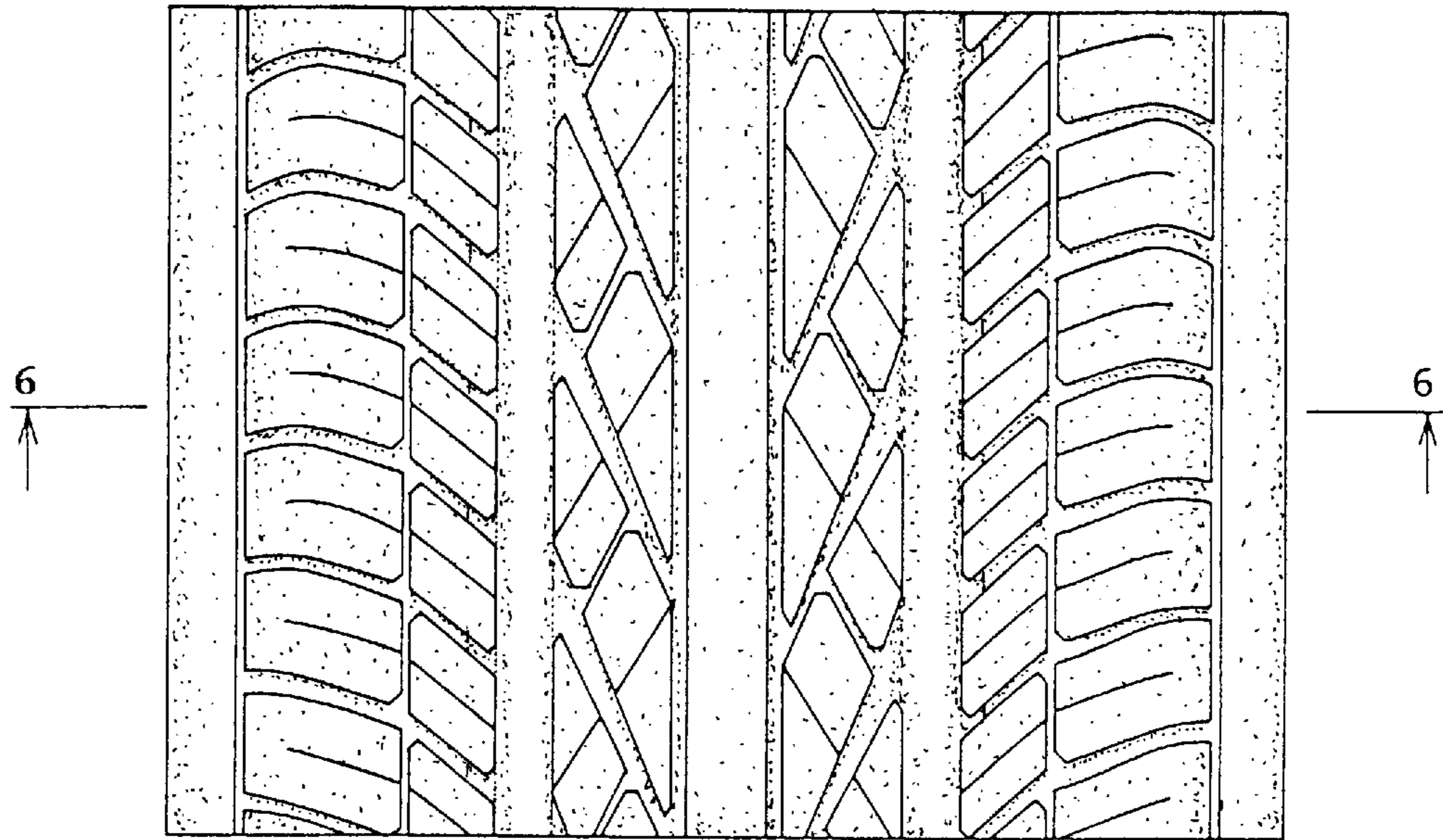


FIG.6

