



US00D397968S

**United States Patent** [19]  
**Stahel**

[11] **Patent Number: Des. 397,968**

[45] **Date of Patent: \*\*Sep. 8, 1998**

[54] **FRONT CALIPER COVER WITH GROOVES**

[75] Inventor: **Alwin J. Stahel**, New Brighton, Minn.

[73] Assignee: **KuryAkyn Holdings, Inc.**, Stillwater, Minn.

[\*\*] Term: **14 Years**

[21] Appl. No.: **75,740**

[22] Filed: **Aug. 21, 1997**

[51] **LOC (6) Cl.** ..... **12-11**

[52] **U.S. Cl.** ..... **D12/126**

[58] **Field of Search** ..... D12/126, 114;  
280/288.4; 180/219

[56] **References Cited**

**U.S. PATENT DOCUMENTS**

- D. 291,189 8/1987 Stahel ..... D12/126
- D. 377,774 2/1997 Davidson et al. .... D12/126

*Primary Examiner*—Antoine Duval Davis  
*Attorney, Agent, or Firm*—Hessian & McKasy, P.A.; Glen E. Schumann

[57] **CLAIM**

The ornamental design for a front caliper cover with grooves, as shown and described.

**DESCRIPTION**

FIG. 1 view in perspective as seen from the top and two sides of a front caliper cover with grooves showing new design;

FIG. 2 a top plan view;

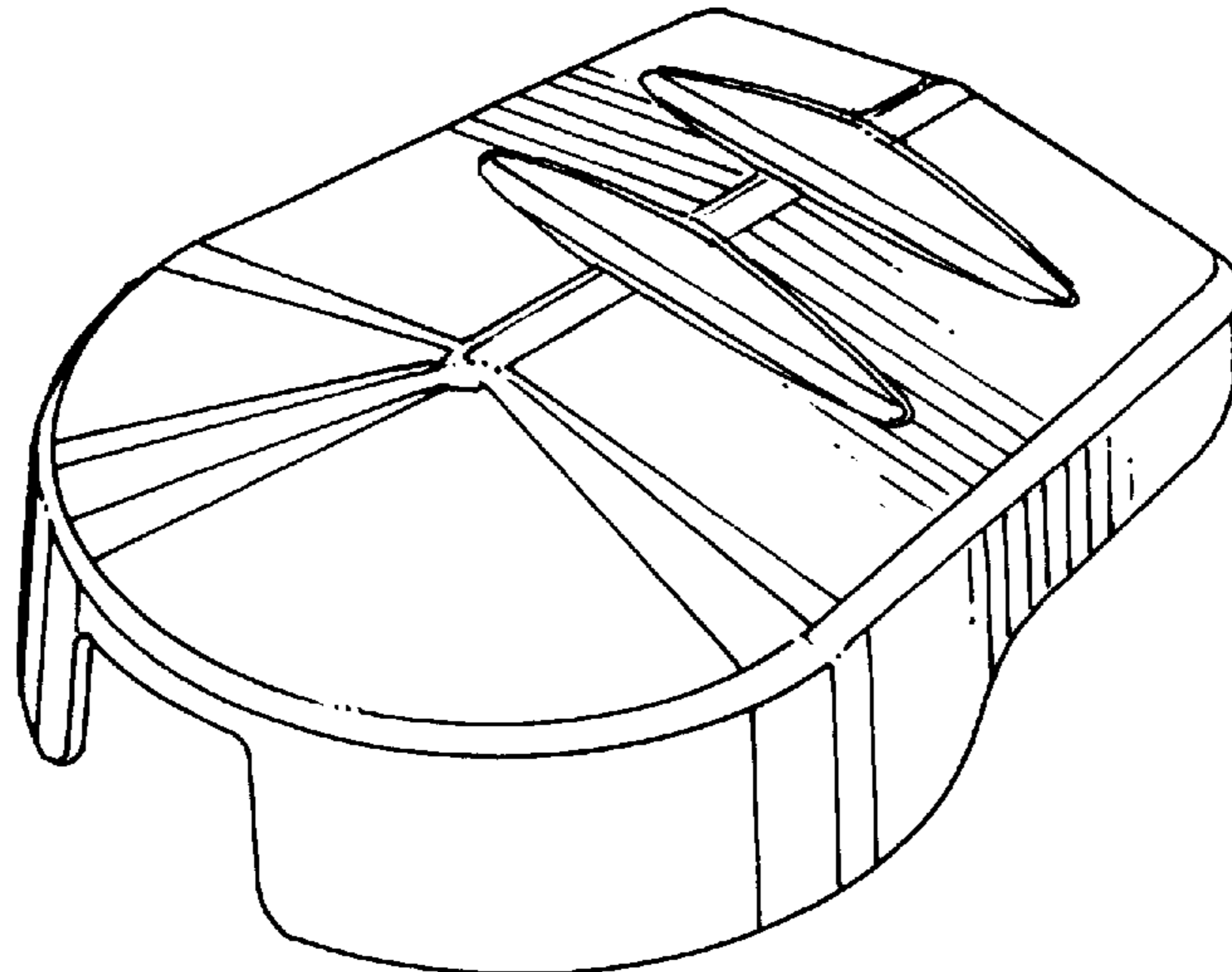
FIG. 3 a bottom plan view;

FIG. 4 a side elevation view, the side opposite being mirror image;

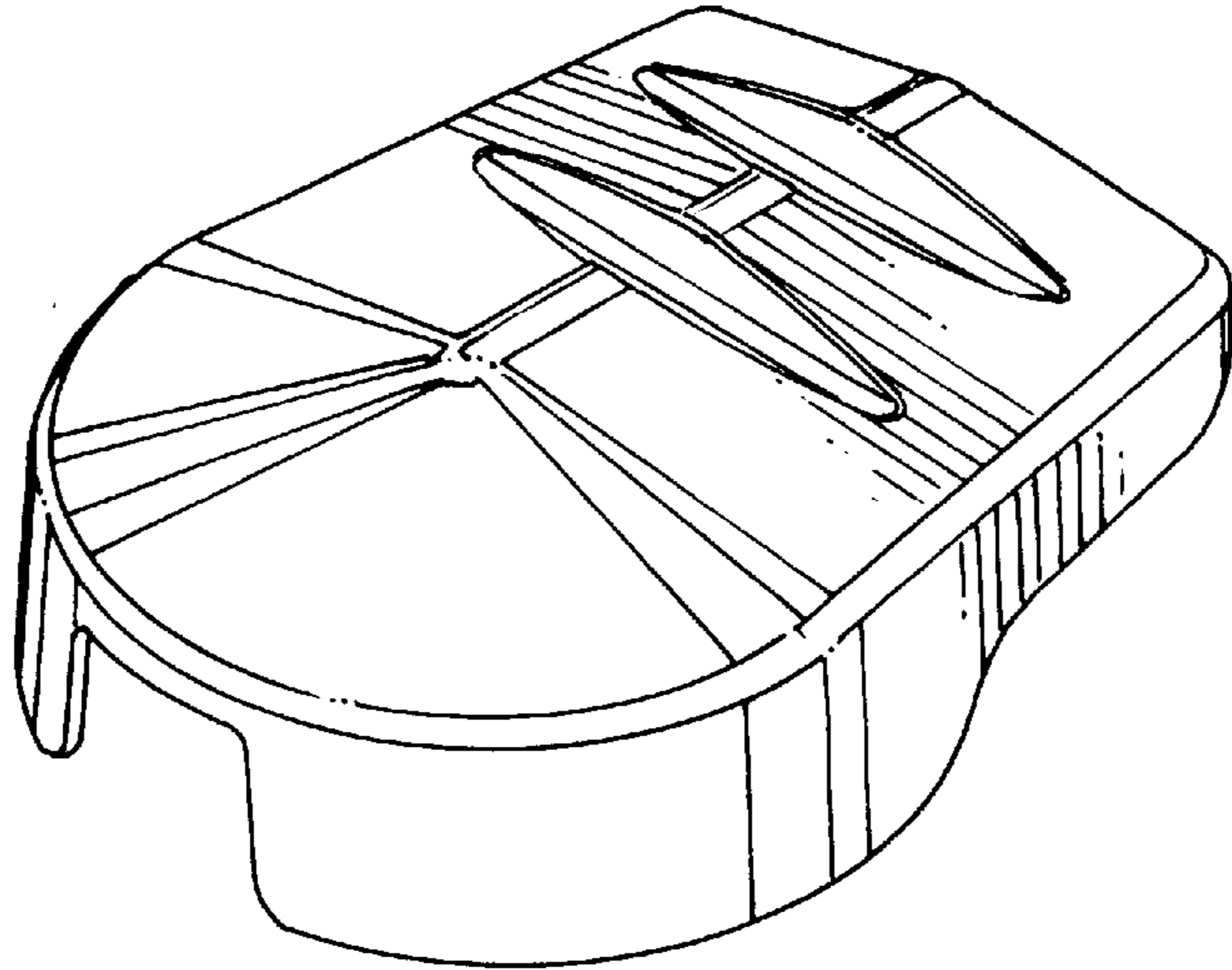
FIG. 5 an end elevation view; and,

FIG. 6 an end elevation view.

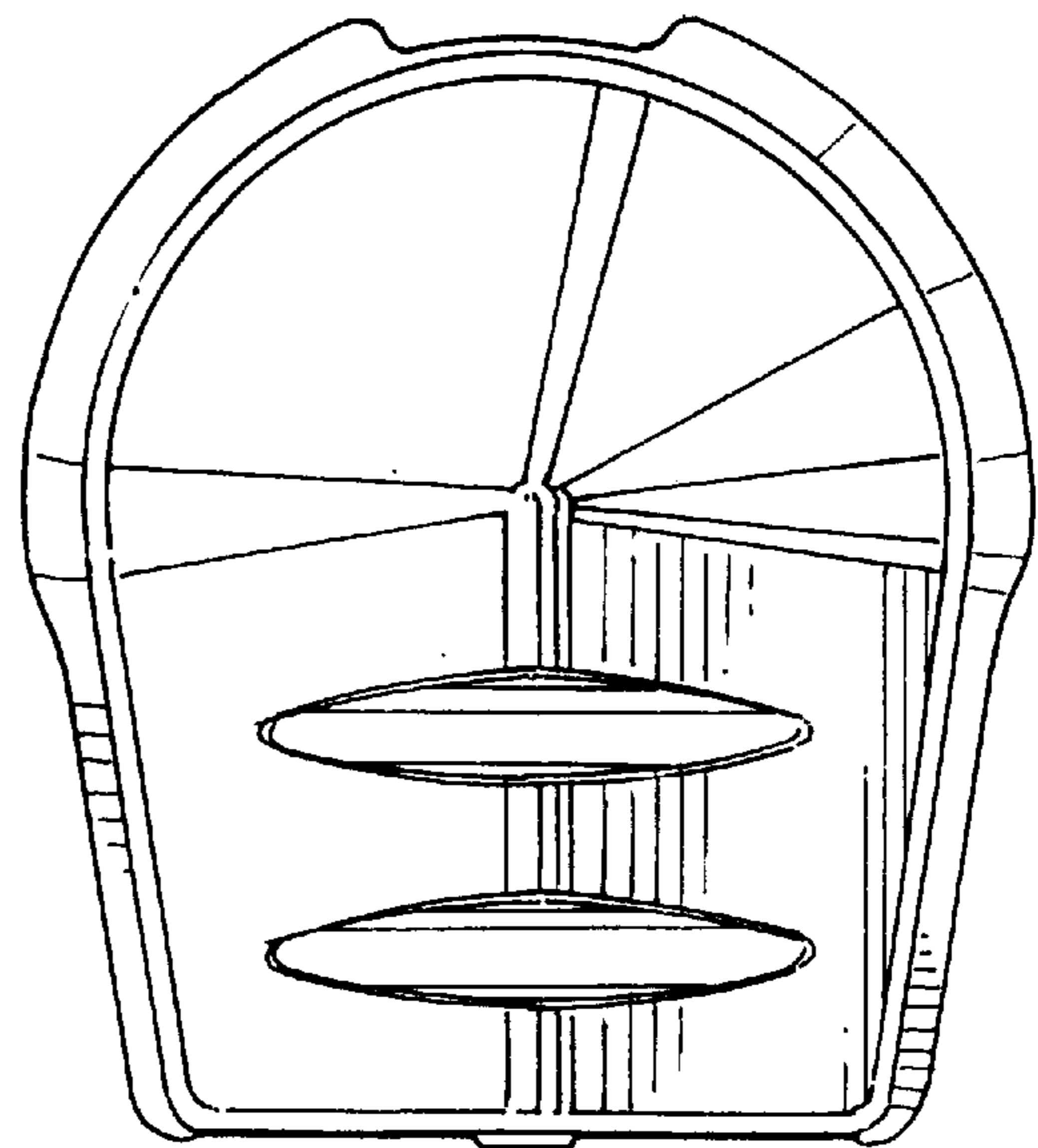
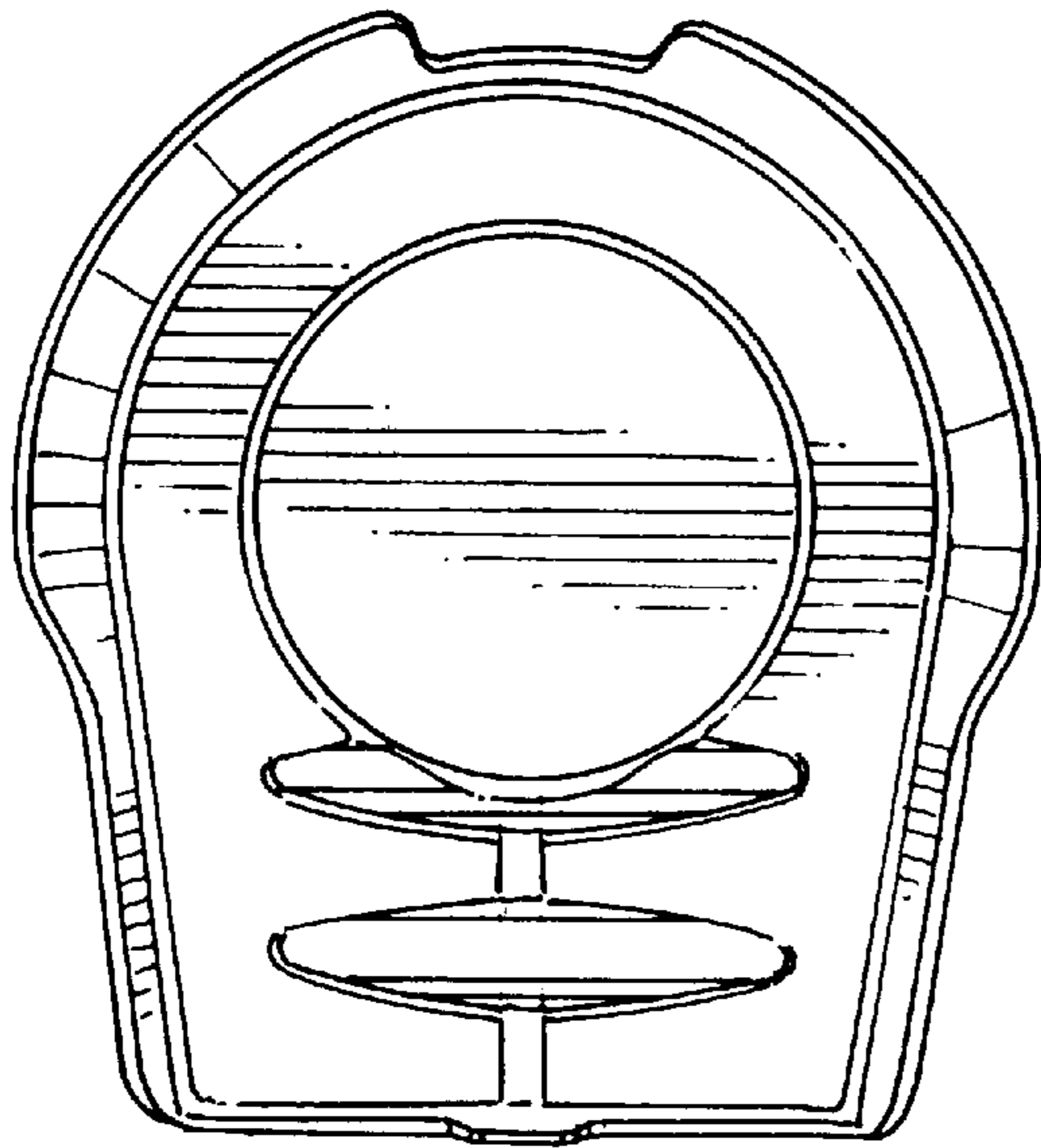
**1 Claim, 2 Drawing Sheets**



*Fig. 1*

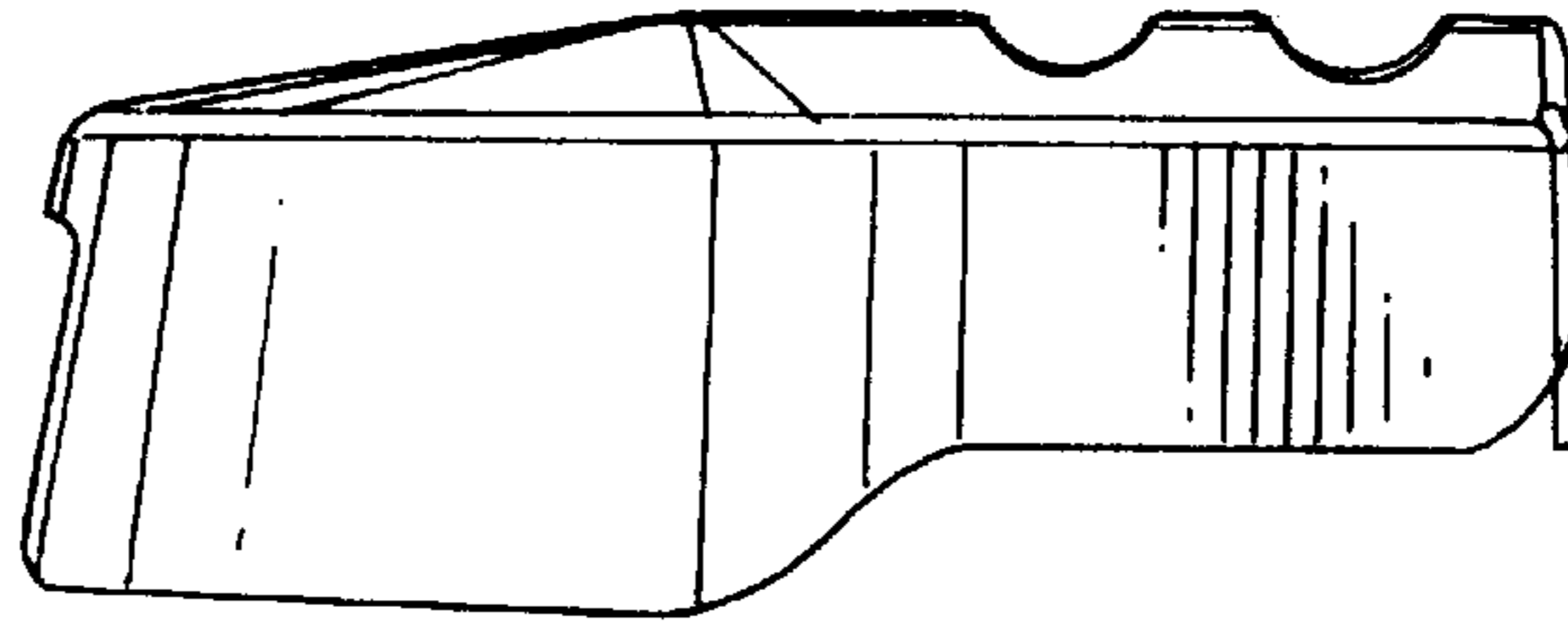


*Fig. 3*

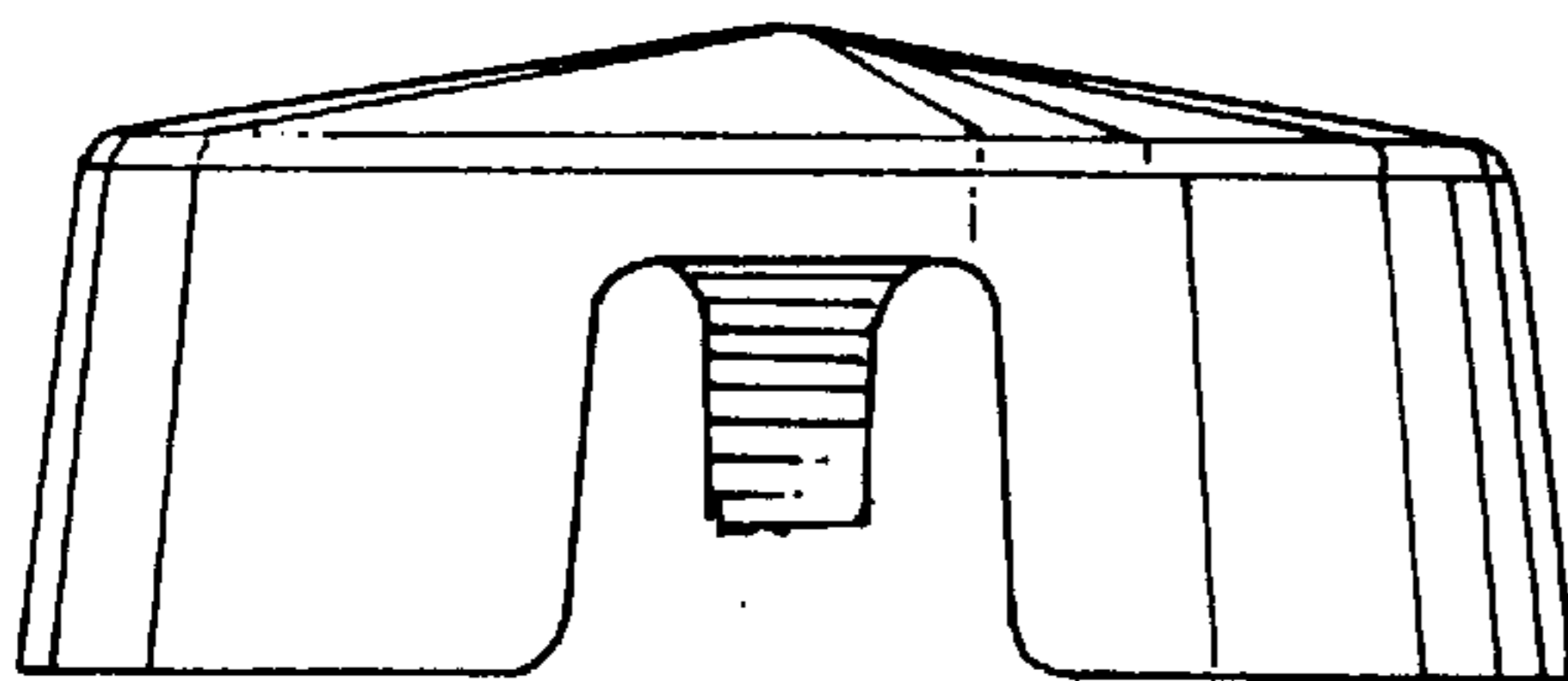


*Fig. 2*

*Fig. 4*



*Fig. 5*



*Fig. 6*

